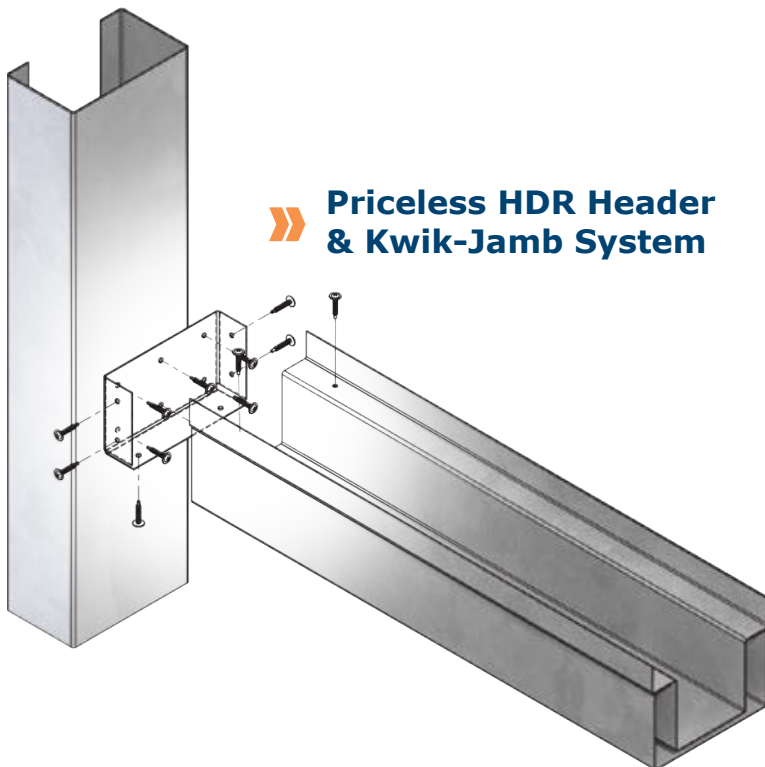


» **PLC3 Bypass Slab Slide Clip**



» **Priceless HDR Header & Kwik-Jamb System**

**COLD-FORMED
STEEL FRAMING
DETAILS**

2014



www.SCAFCO.com

SCAFCO Disclaimer

All data, specifications and detail contained in this publication are intended as a general guide for using SCAFCO's products. These products should not be used in design or construction without an independent evaluation by a qualified engineer or architect to verify the suitability of a particular product for use in a specific application. SCAFCO assumes no liability for failure resulting from the use or misapplication of computation, detail drawings and specifications contained herein. This publication contains the latest information available at the time of printing. SCAFCO reserves the right to make modifications and/or change materials of any of their products without prior notice or obligation. For the latest information regarding products contact SCAFCO. This document may not be reproduced or distributed in any form, electronic or otherwise, without the express written consent of SCAFCO. In no event will SCAFCO be liable for any damages, including loss of data or information of any kind, lost profits, cost of cover or any other special, incidental, consequential or indirect damages arising out of this agreement or the use or inability to use the details, however caused, and on any theory of liability.

Table Of Contents

Standard Framing Details	6
Windows	7
WIN-1 - Window Load Bearing Back to Back Header Single Jamb.....	8
WIN-2 - Window Load Bearing Back to Back Header Boxed Jamb.....	9
WIN-3 - Window Load Bearing Back to Back Header Back to Back Jamb.....	10
WIN-4 - Window Load Bearing Boxed Header Single Jamb.....	11
WIN-5 - Window Load Bearing Boxed Header Boxed Jamb.....	12
WIN-6 - Window Load Bearing Boxed Header Back to Back Jamb.....	13
WIN-7 - Window Load Bearing Single Header with Strongback Single Jamb.....	14
WIN-8 - Window Load Bearing Single Header with Strongback Boxed Jamb.....	15
WIN-9 - Window Load Bearing Single Header with Strongback Back to Back Jamb.....	16
WIN-10 - Window Non-Load Bearing Single Track Header Single Jamb.....	17
WIN-11 - Window Non-Load Bearing Single Track Header Boxed Jamb.....	18
WIN-12 - Window Non-Load Bearing Single Track Header Back to Back Jamb.....	19
Doors	20
DR-1 - Door Load Bearing Back to Back Header Single Jamb.....	21
DR-2 - Door Load Bearing Back to Back Boxed Header Jamb.....	22
DR-3 - Door Load Bearing Back to Back Header Back to Back Jamb.....	23
DR-4 - Door Load Bearing Boxed Header Single Jamb.....	24
DR-5 - Door Load Bearing Boxed Header Boxed Jamb.....	25
DR-6 - Door Load Bearing Boxed Header Back to Back Jamb.....	26
DR-7 - Door Load Bearing Single Header with Strongback Single Jamb.....	27
DR-8 - Door Load Bearing Single Header with Strongback Boxed Jamb.....	28
DR-9 - Door Load Bearing Single Header with Strongback Back to Back Jamb.....	29
DR-10 - Door Non-Load Bearing Single Track Header Single Jamb.....	30
DR-11 - Door Non-Load Bearing Single Track Header Boxed Jamb.....	31
DR-12 - Door Non-Load Bearing Single Track Header Back to Back Jamb.....	32
Deflection Track Assembly	33
DEFL-1 - Deflection Track-In-Track Assembly.....	34
DEFL-2 - Deflection Track Single Track with Cold-Rolled Channel.....	35
Bridging & Backing	36
BRG-1 - Bridging Cold-Rolled Channel with Clip Angle.....	37
BRG-2 - Bridging Single Flat Strap with Blocking.....	38
BRG-3 - Bridging Double Flat Strap with Blocking.....	39
BRG-4 - Bridging Single CRC With Sheeting.....	40
BACK-1 - Backing Flat Strap Lightly Loaded.....	41
BACK-2 - Backing Clipped Track Heavily Loaded.....	42
Bottom Anchor Track	43
BASE-1 - Bottom Track Anchorage Low Velocity Fastener.....	44
BASE-2 - Bottom Track Anchorage Wedge Anchor.....	45
Interior Wall with Kicker	46
KICK-1 - Non-Load Bearing Interior Wall with Diagonal Kicker Screwed.....	47
KICK-2 - Non-Load Bearing Interior Wall with Diagonal Kicker Clipped.....	48
KICK-3 - Spandrel Curtain Wall Diagonal Brace.....	49

KICK-4	- Spandrel Curtain Wall Sticker Vertical Drop and Diagonal Brace.....	50
Spandrel Curtain Wall.....		51
STRUT-1	- Spandrel Curtain Wall Sticker to Beam.....	52
Miscellaneous.....		53
CRNR	- Wall Framing at Corner Track Lap Connection.....	54
FLR-1	- Typical Floor Framing.....	55
PONY	- Ponywall Standard Height.....	56
XBRC	- Shearwall X-Bracing.....	57
EMB-1	- Spandrel Framing At Pony Wall Steel Post with Embedded.....	58
TRK-BK	- Backing Clipped Track Heavily Loaded.....	59
<u>Specialty Framing Details</u>.....		60
Clips.....		61
Slide Clips & Struts.....		62
PLC1-1	- Bypass Slab Slide Clip Detail.....	63
PLC2-1	- Bypass Slab Slide Clip Detail.....	64
PLC3-1	- Bypass Slab Slide Clip Detail.....	65
PLS1-1	- Bypass Slab Slide Strut Detail.....	66
PLS2-1	- Bypass Slab Slide Strut Detail.....	67
ISC-1	- ISC Head of Wall Detail.....	68
DISC-1	- DISC Head of Wall Detail.....	69
ESC-1	- Exterior Slide Clip Detail.....	70
DESC-1	- Double Exterior Slide Clip Detail.....	71
Secure Clips & Struts.....		72
AC-1	- Bypass Slab Wall Clip Detail.....	73
AS-1	- Bypass Slab Wall Strut Detail.....	74
FA-1	- Stud to Floor Anchoring Detail.....	75
FA-2	- Stud to Floor Anchoring Detail.....	76
FT-1	- Floor Tie Anchoring Detail.....	77
FT-2	- Floor Tie Anchoring With Stiffening Plate Detail.....	78
FJ-1	- Floor Joist Clip Detail.....	79
HB-1	- Hip Joist to Beam Detail.....	80
MA-2	- Joist to Joist Detail.....	81
MB-1	- Load Bearing Stud to Head of Wall Detail.....	82
MB-2	- Rafter Tie Down Detail.....	83
MC-3	- Truss to Truss Detail.....	84
TT-1	- Truss Tie Detail.....	85
TT-2	- Tuss to Stud Tie Detail.....	86
Bridging, Blocking & Bracing Clips.....		87
BC-1	- Brace Clip Detail.....	88
FTB-1	- Fire Track Blocking Detail.....	89
KB-1	- Kwik-Back Detail.....	90
KB-2	- Kwik-Bridge Stud Detail.....	91
KBS-1	- Kwik-Bridge Stud Detail.....	92
KS-1	- Kwik-Bridge Punch with Kwik-Stik Detail.....	93
NT-1	- Blocking Detail (Notch Track).....	94
TB-1	- Track Blocking Detail.....	95

Splicing & Stiffening	96
GP-1 - Gusset Plate Connector Detail.....	97
HG-1 - Header to Jamb Stud Detail.....	98
SS-1 - Secure Strap Connector Detail.....	99
ST-1 - Splice Track Detail (Head of Wall).....	100
WP-1 - Truss Connection Detail.....	101
WST-1 - Joist Web Stiffener (End Support).....	102
WST-2 - Joist Web Stiffener (Interior Support).....	103
WST-3 - Wall Web Stiffener Detail.....	104
Headers/Sill	105
Window Opening Detail - 1	106
FA-1 - Stud to Floor Anchoring Detail.....	107
HD-1 - Header to Jamb Detail (HD).....	108
HDR-1 - Header to Jamb Detail (HDR).....	109
MC-1 - Sill Detail.....	110
Window Opening Detail - 2	111
FA-2 - Stud to Floor Anchoring Detail.....	112
HD-2 - Header to Kwik-Jamb Detail.....	113
HDR-2 - Header to Boxed Jamb Detail.....	114
MC-2 - Double Jamb Detail.....	115
Assorted	116
HD-3 - Header to Boxed Jamb Stud Detail.....	117
HDR-3 - Header to Jamb Stud Detail.....	118
HDR-4 - Bearing Top Plate Detail (Truss Support).....	119
HDR-5 - Load Bearing Top Plate Detail (Joist Support).....	120
MA-1 - Single Track Header to Jamb Detail.....	121
SILL-2 - Window Sill Detail.....	122
Slotted Track	123
SLT-1 - Slotted Track Detail.....	124
Curved Products	125
PAT-1 - Arched Track Entry Detail.....	126
PCA-1 - Soffit with Curved Angle Detail.....	127
PCT-1 - Curved Wall Track Detail.....	128



Standard Framing Details

Manufacturing Products for the Agriculture and Construction Industries Since 1954

Locations In: Washington • Idaho • Oregon • Montana • California • Alaska • Alberta



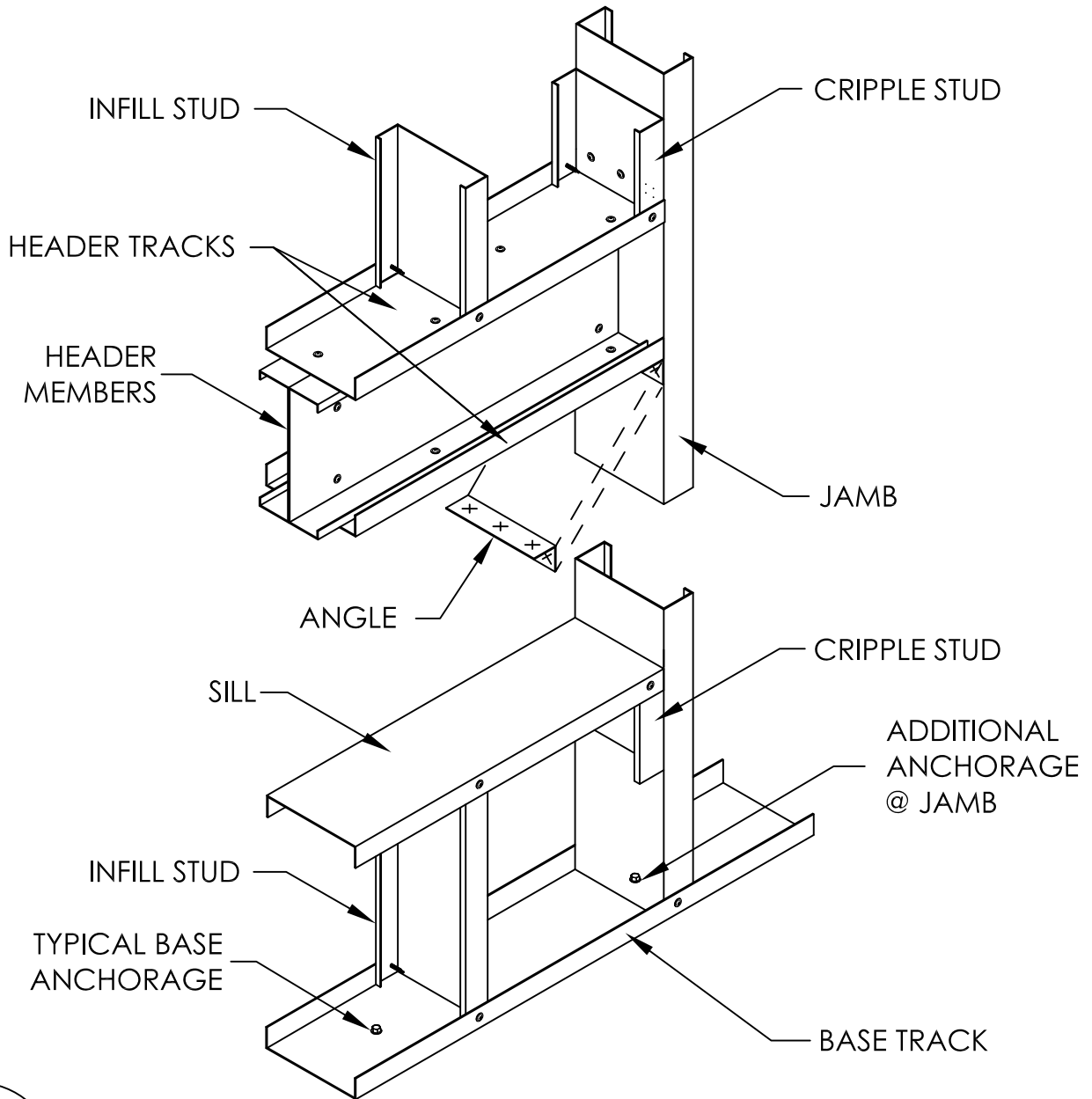


Windows

Manufacturing Products for the Agriculture and Construction Industries Since 1954

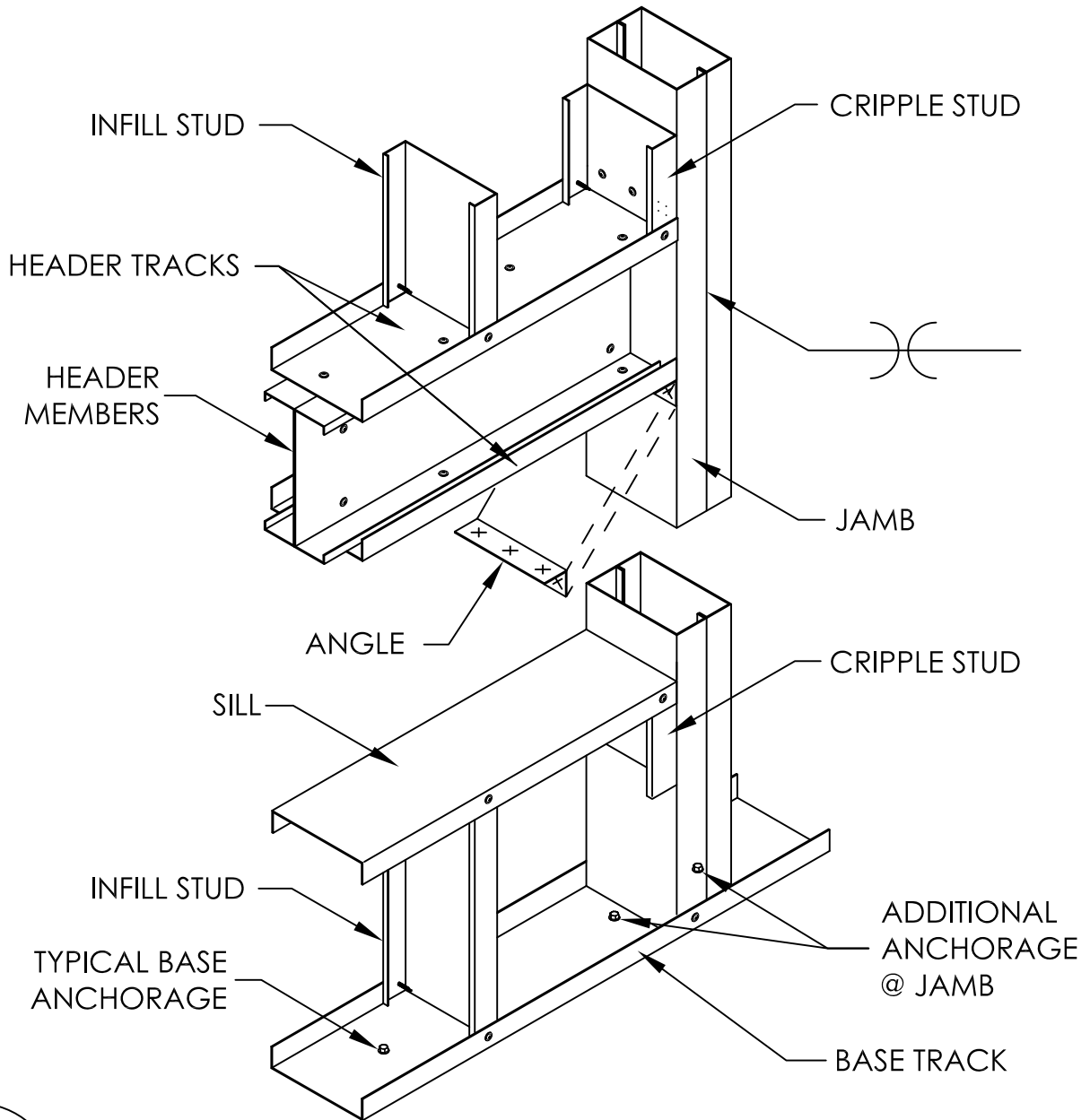
Locations In: Washington • Idaho • Oregon • Montana • California • Alaska • Alberta





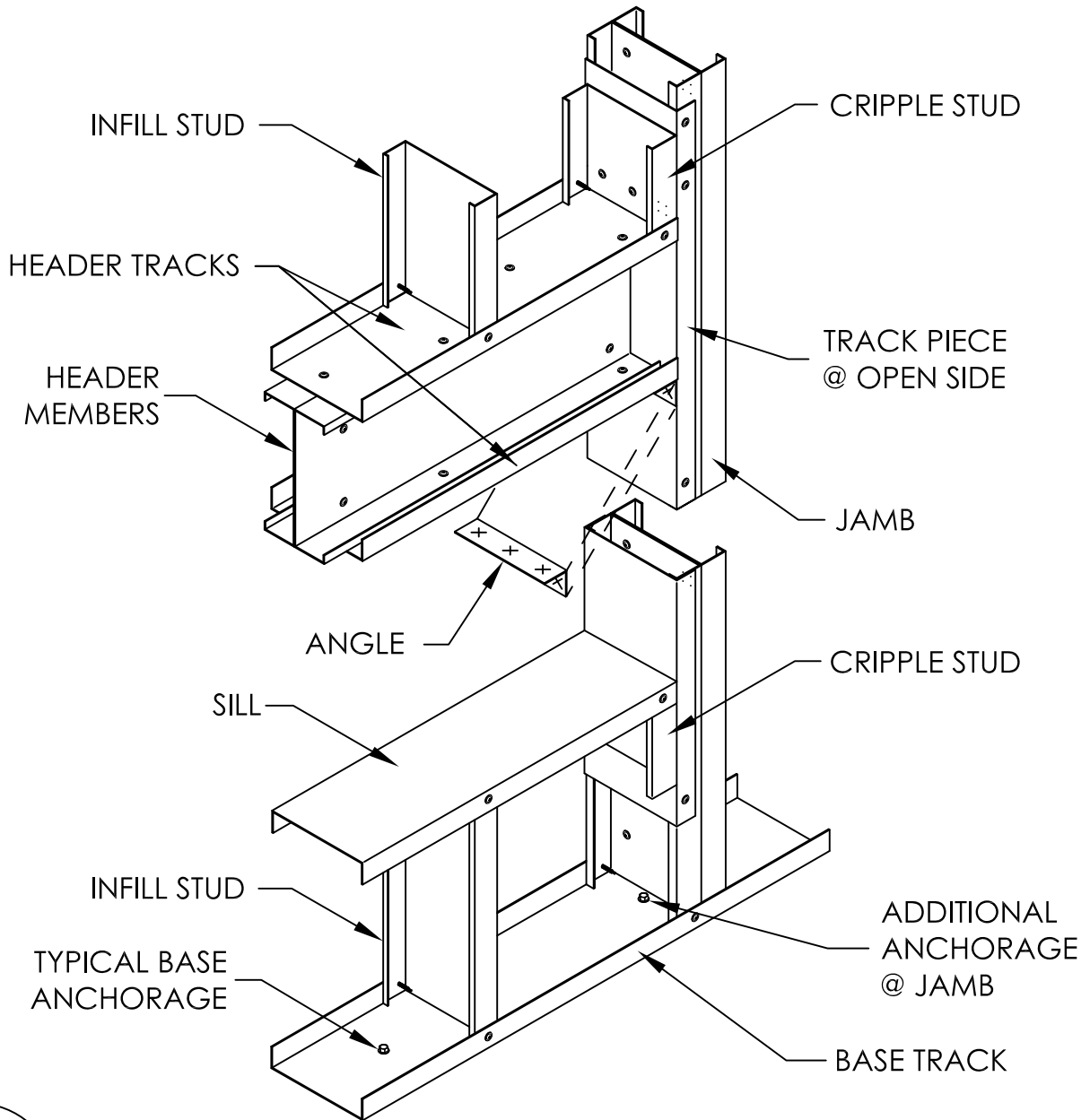
WIN-1
XX

Window Load Bearing Back To Back Header Single Jamb
NTS



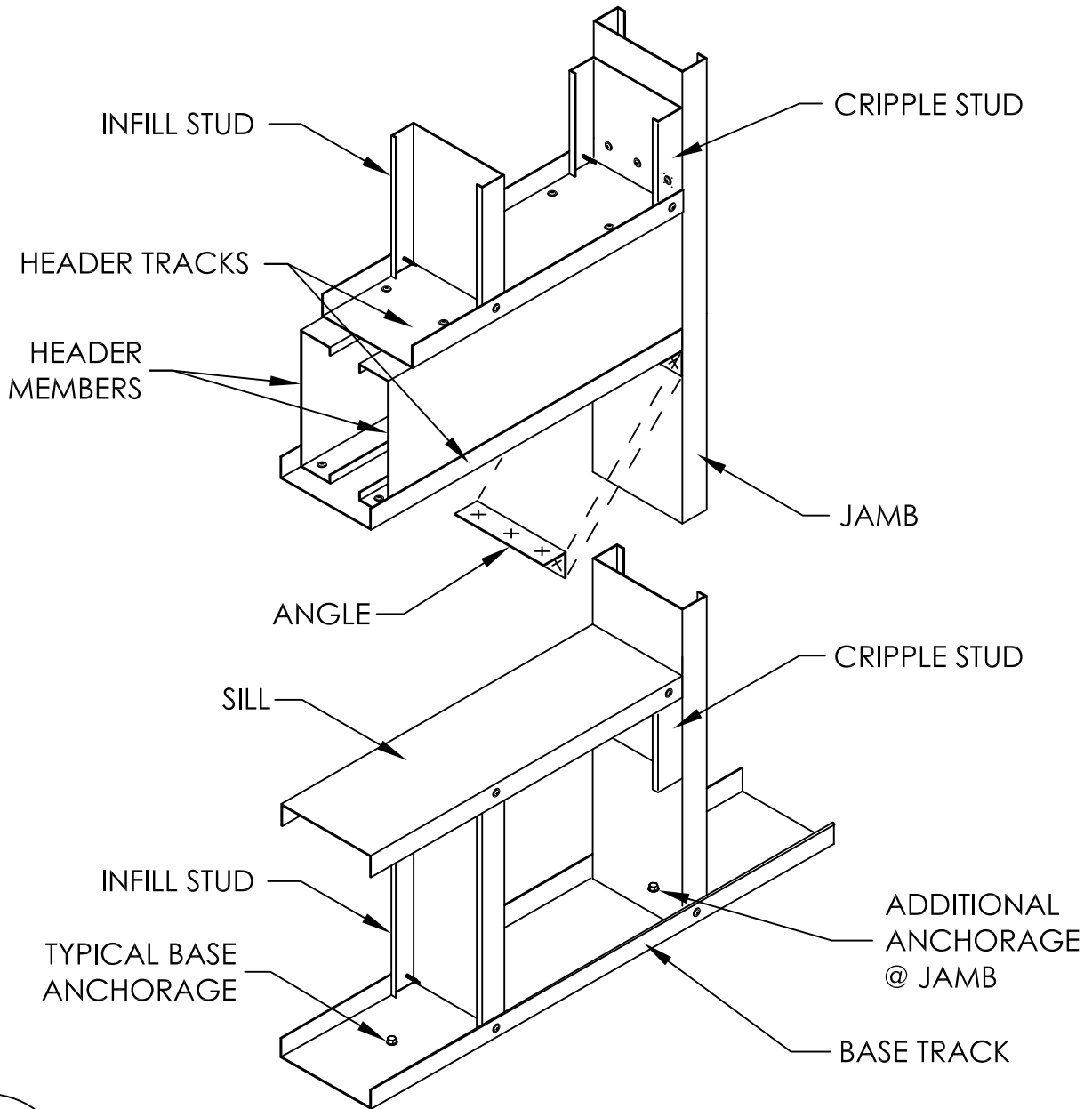
WIN-2
XX

Window Load Bearing Back To Back Header Boxed Jamb
NTS



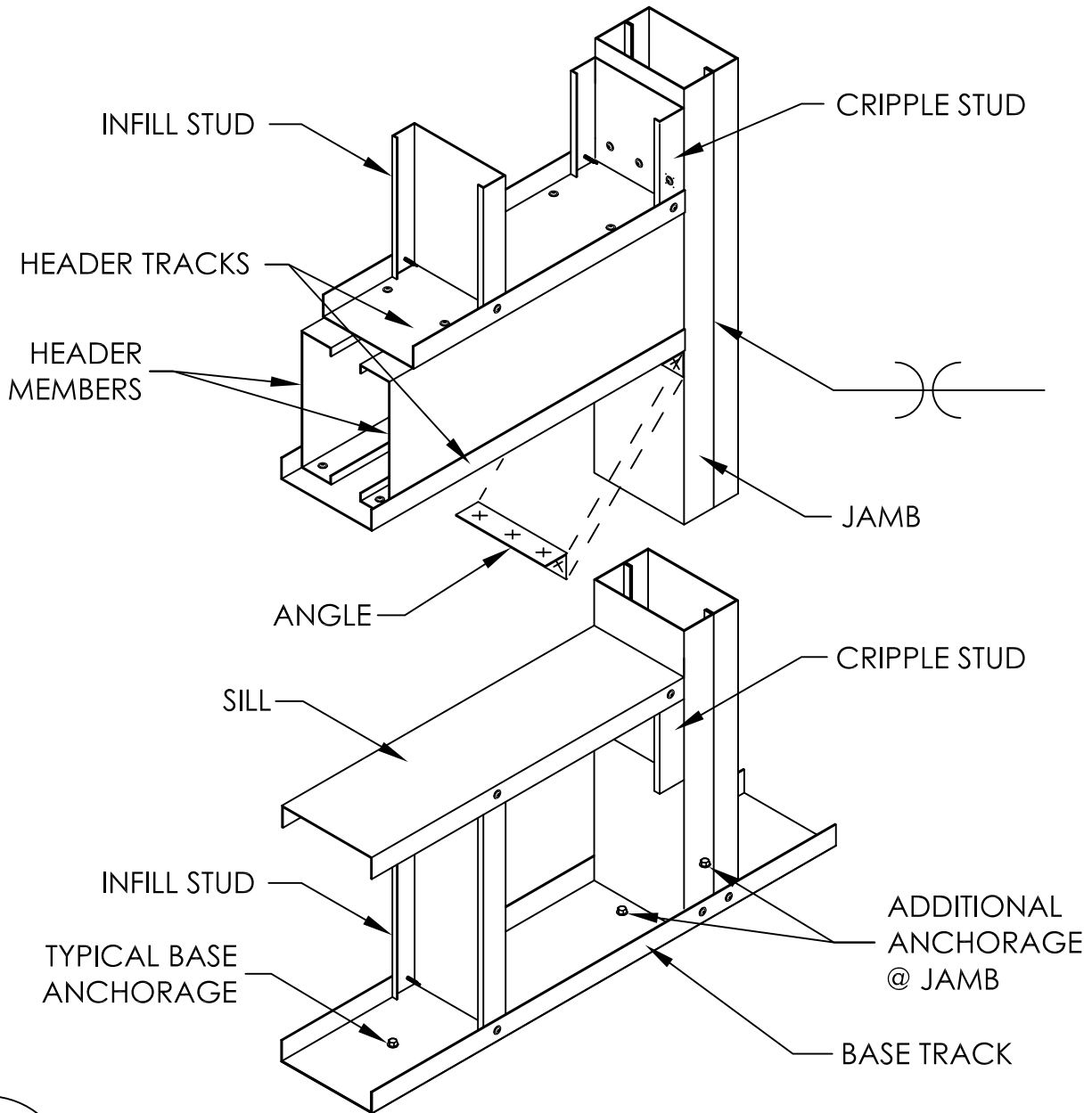
WIN-3
XX

Window Load Bearing Back To Back Header Back To Back Jamb
NTS



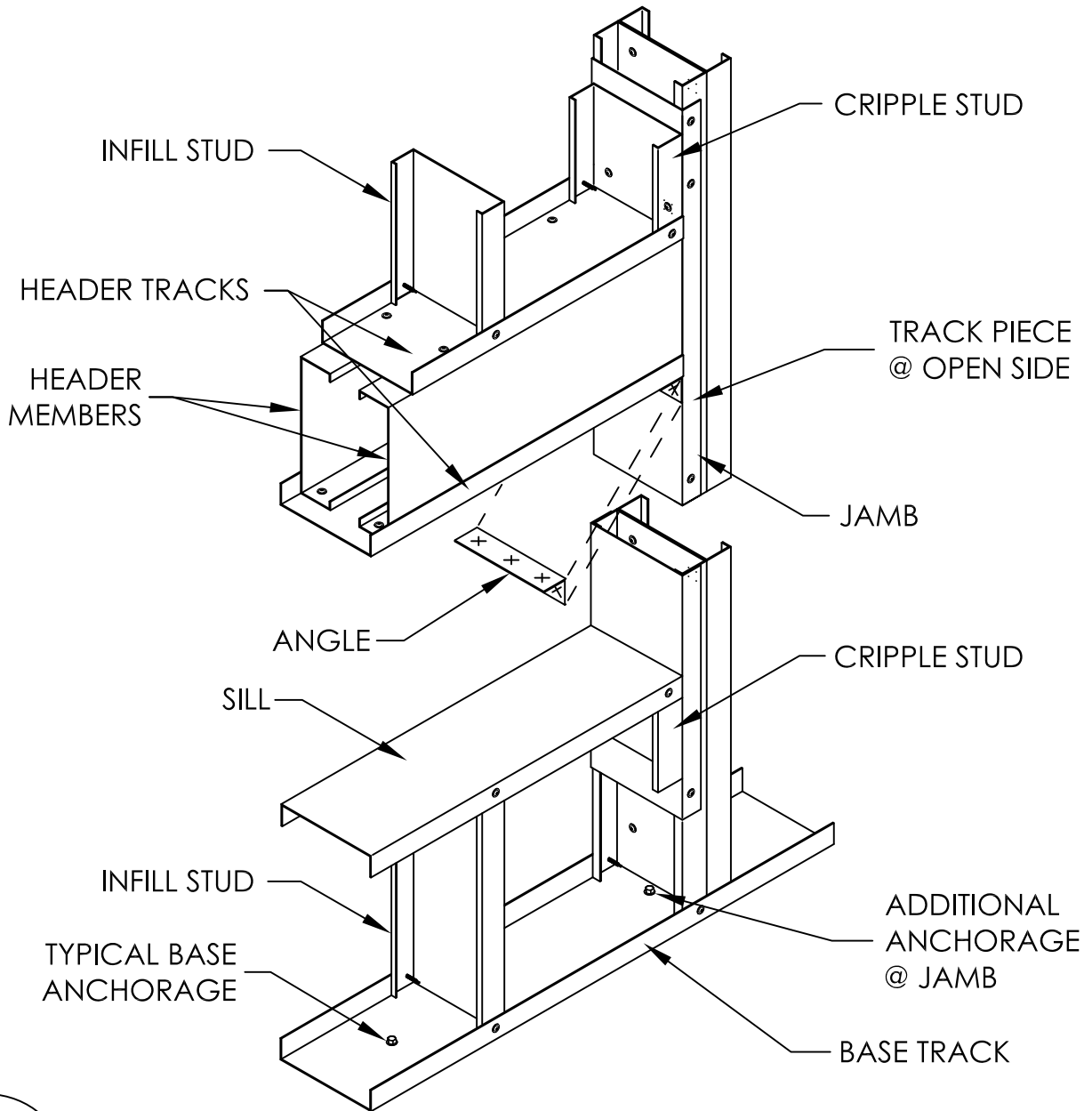
WIN-4
XX

Window Load Bearing Boxed Header Single Jamb
NTS



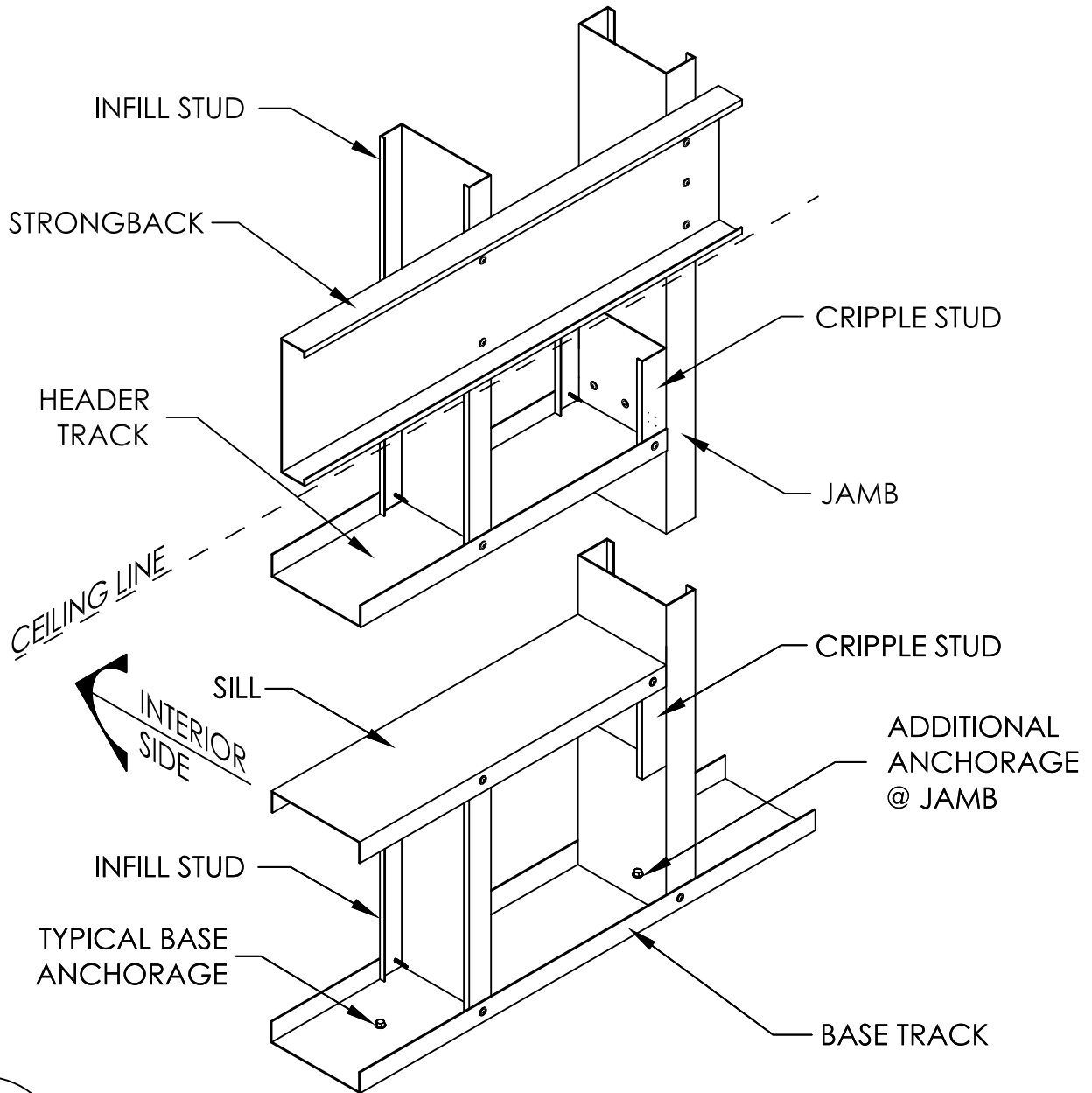
WIN-5
XX

Window Load Bearing Boxed Header Boxed Jamb
NTS



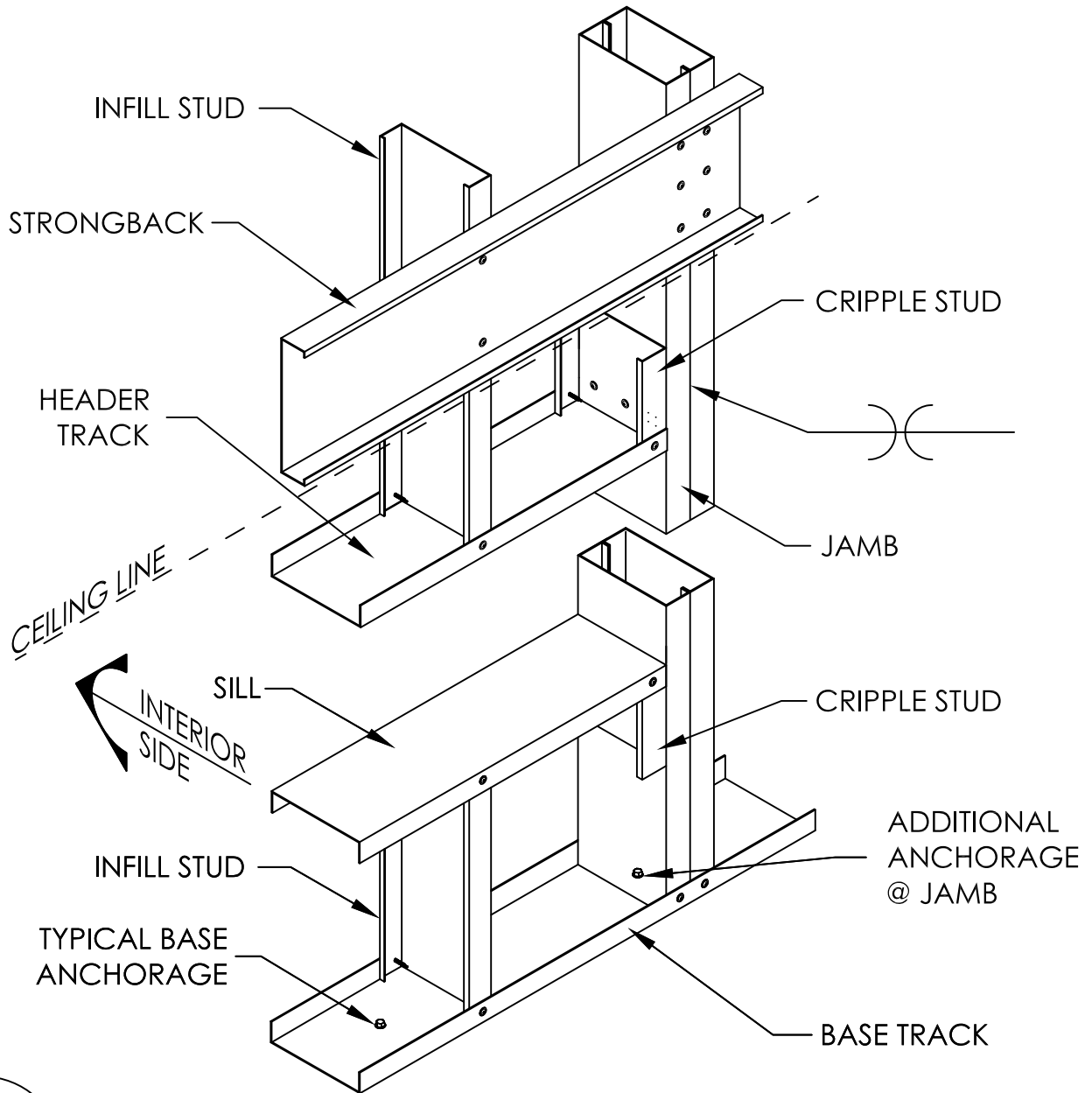
WIN-6
XX

Window Load Bearing Boxed Header Back to Back Jamb
NTS



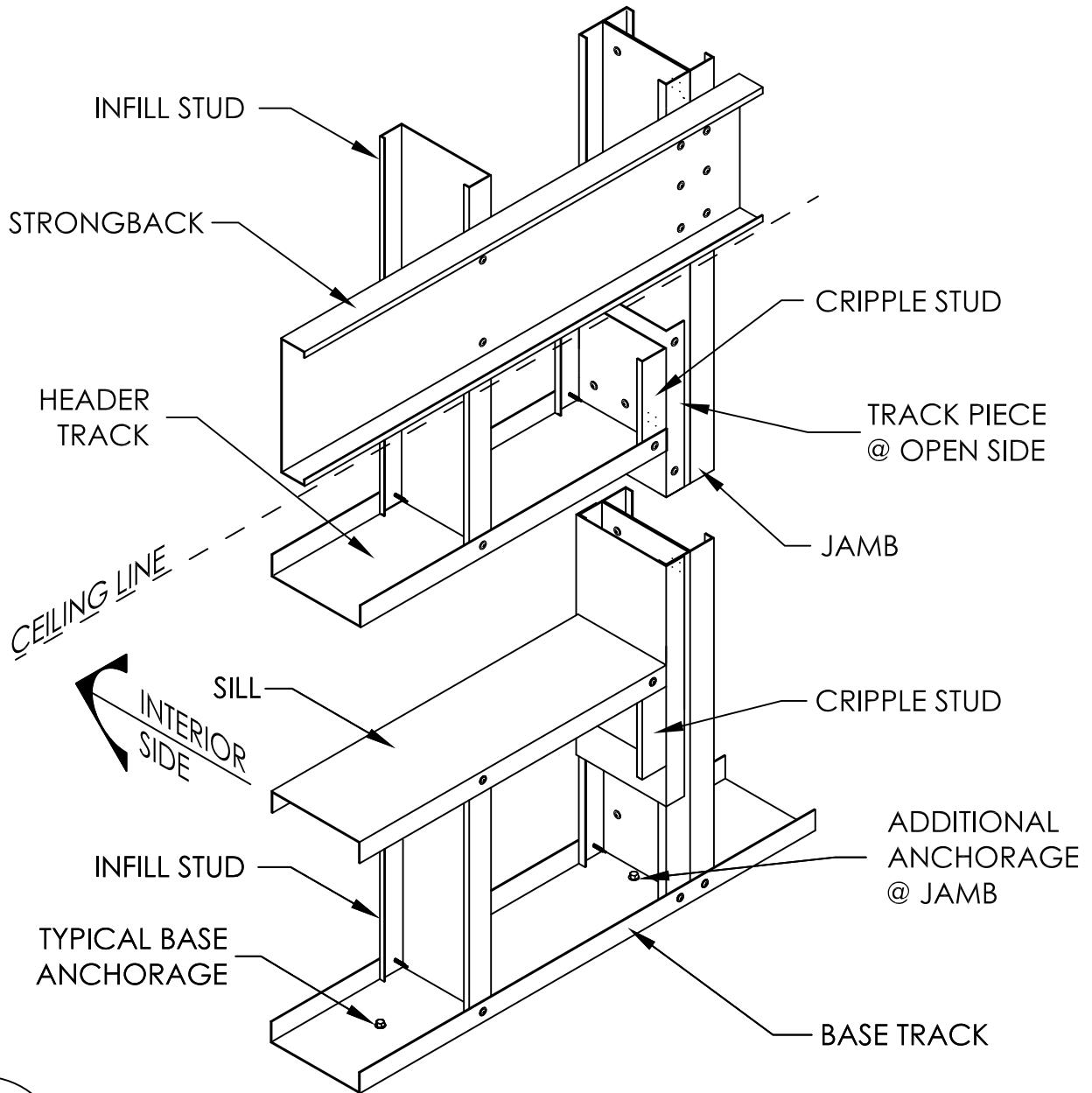
WIN-7
XX

Window Load Bearing Single Header with Strongback Single Jamb
NTS



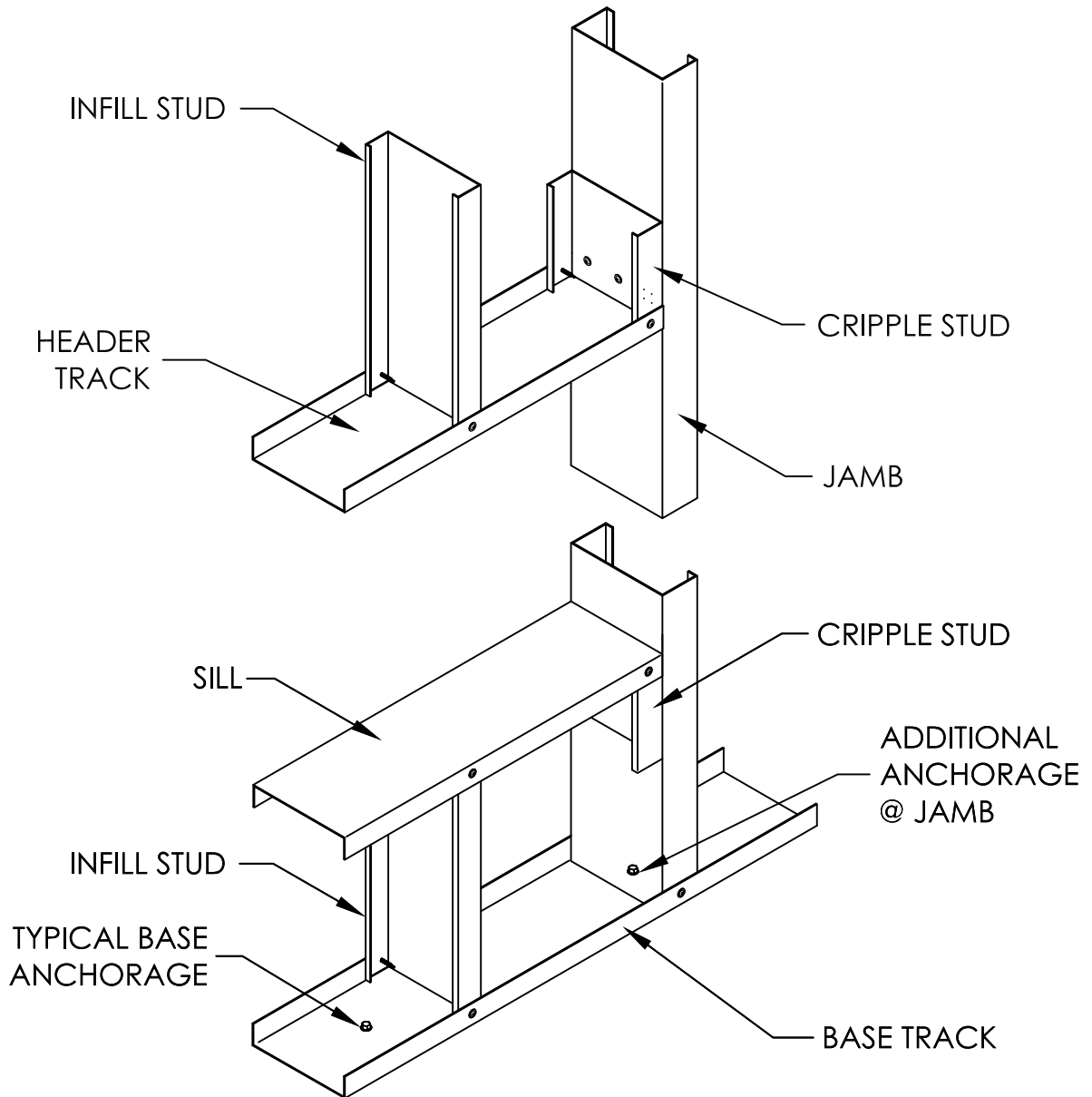
WIN-8
XX

Window Load Bearing Single Header with Strongback Boxed Jamb
NTS



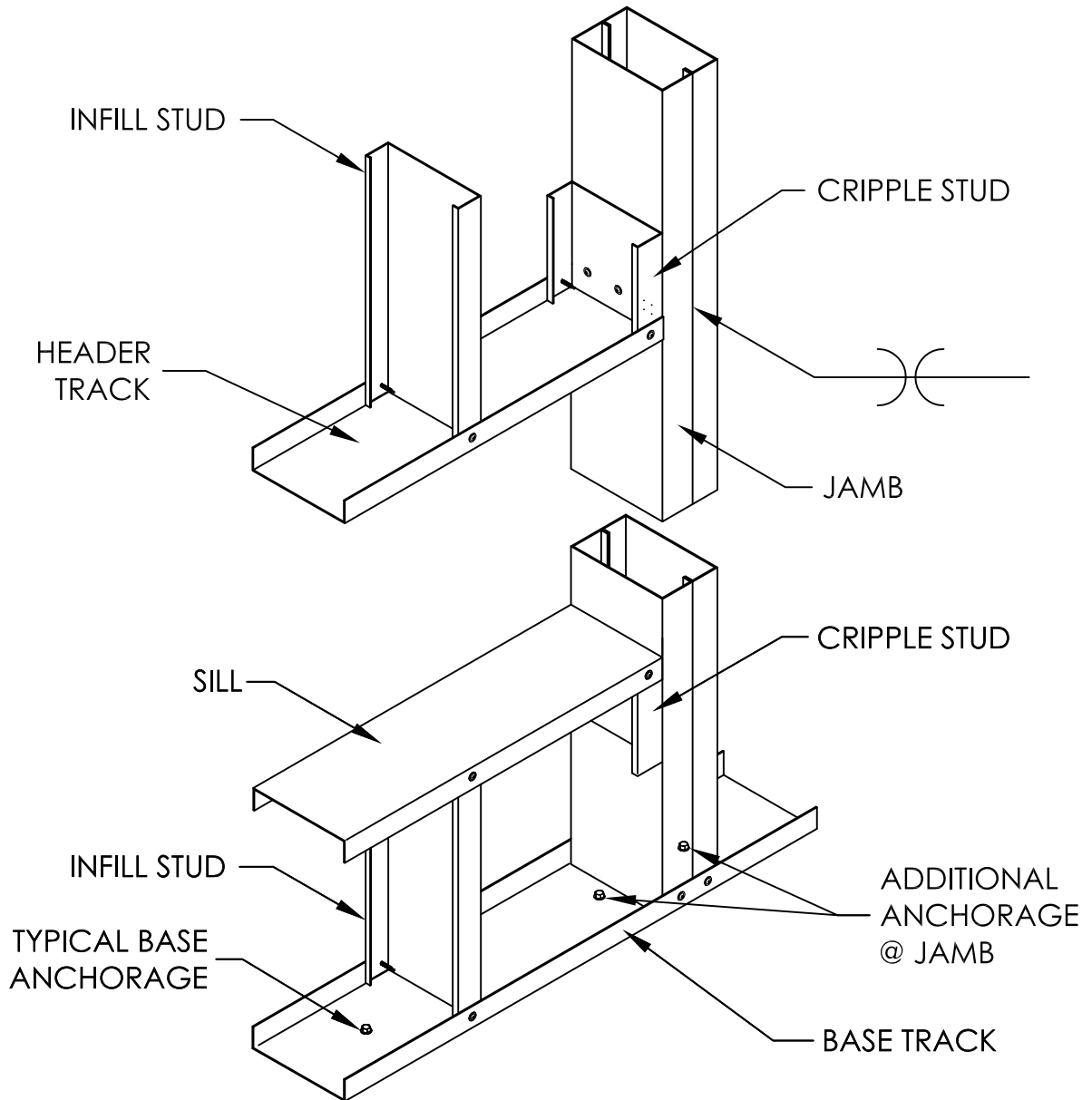
WIN-9
XX

Window Load Bearing Single Header with Strongback Back to Back Jamb
NTS



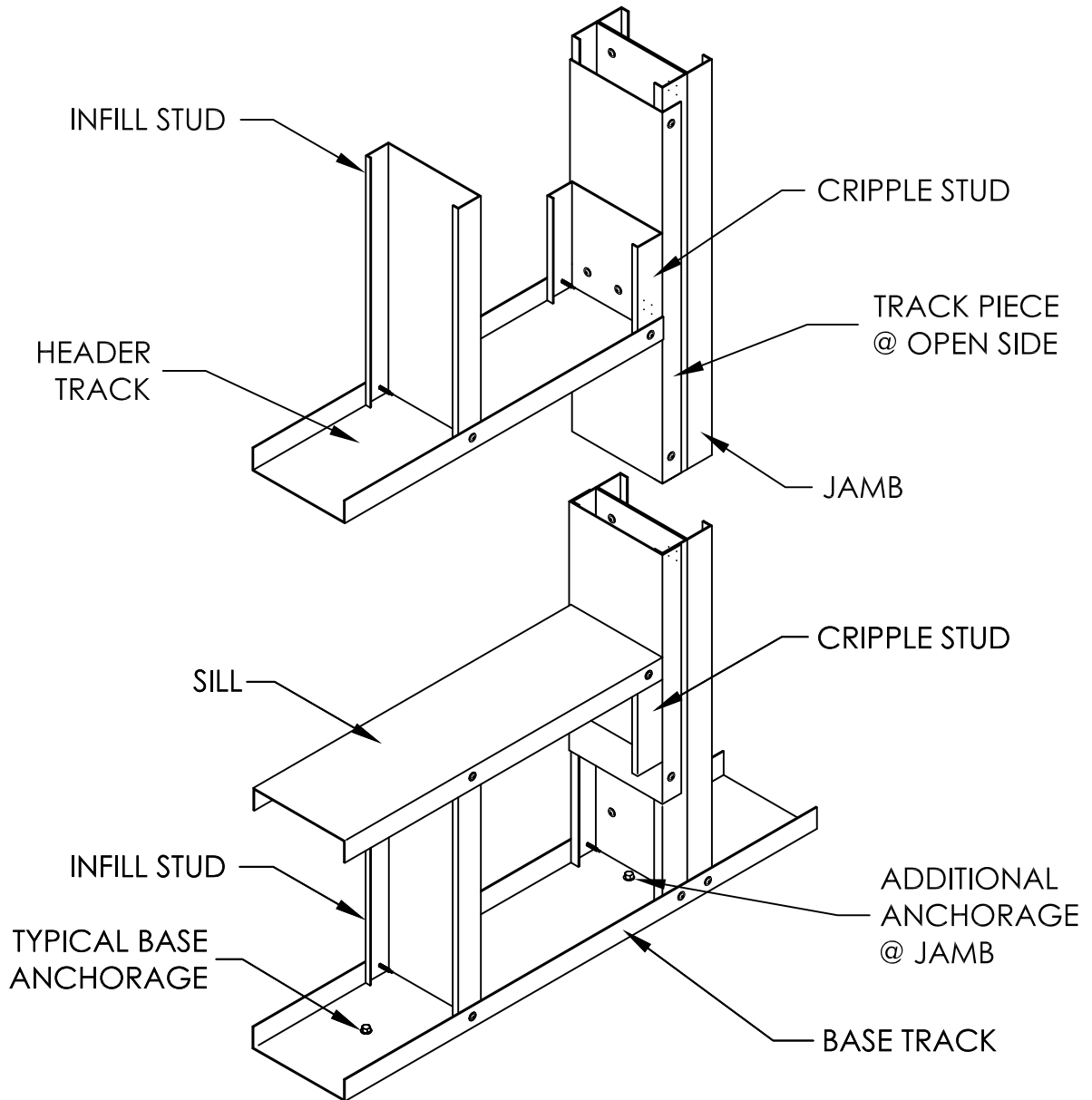
WIN-10
XX

Window Non-Load Bearing Single Track Header Single Jamb
NTS



WIN-11
XX

Window Non-Load Bearing Single Track Header Boxed Jamb
NTS



WIN-12
XX

Window Non-Load Bearing Single Track Header Back to Back Jamb
NTS

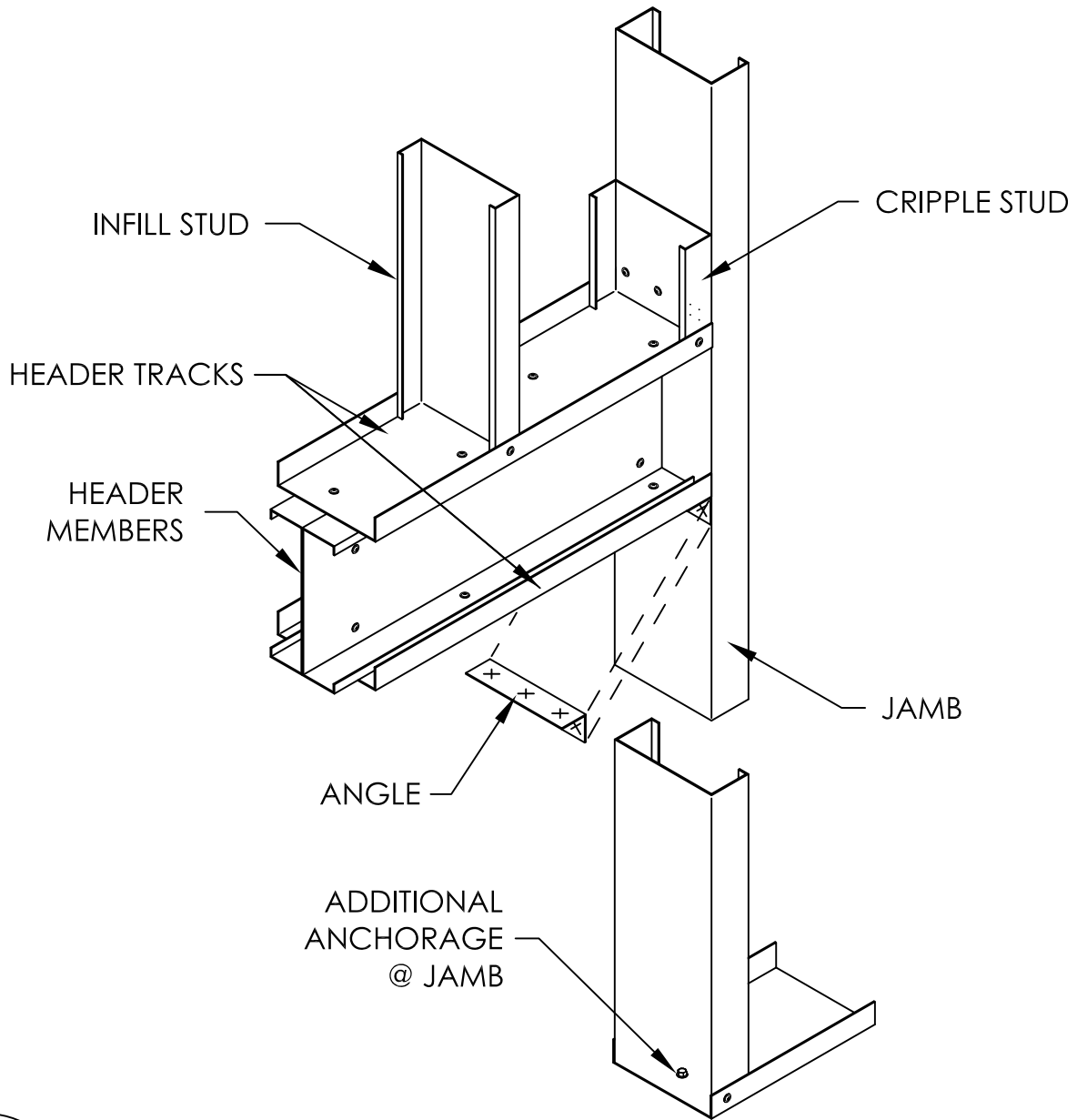


Doors

Manufacturing Products for the Agriculture and Construction Industries Since 1954

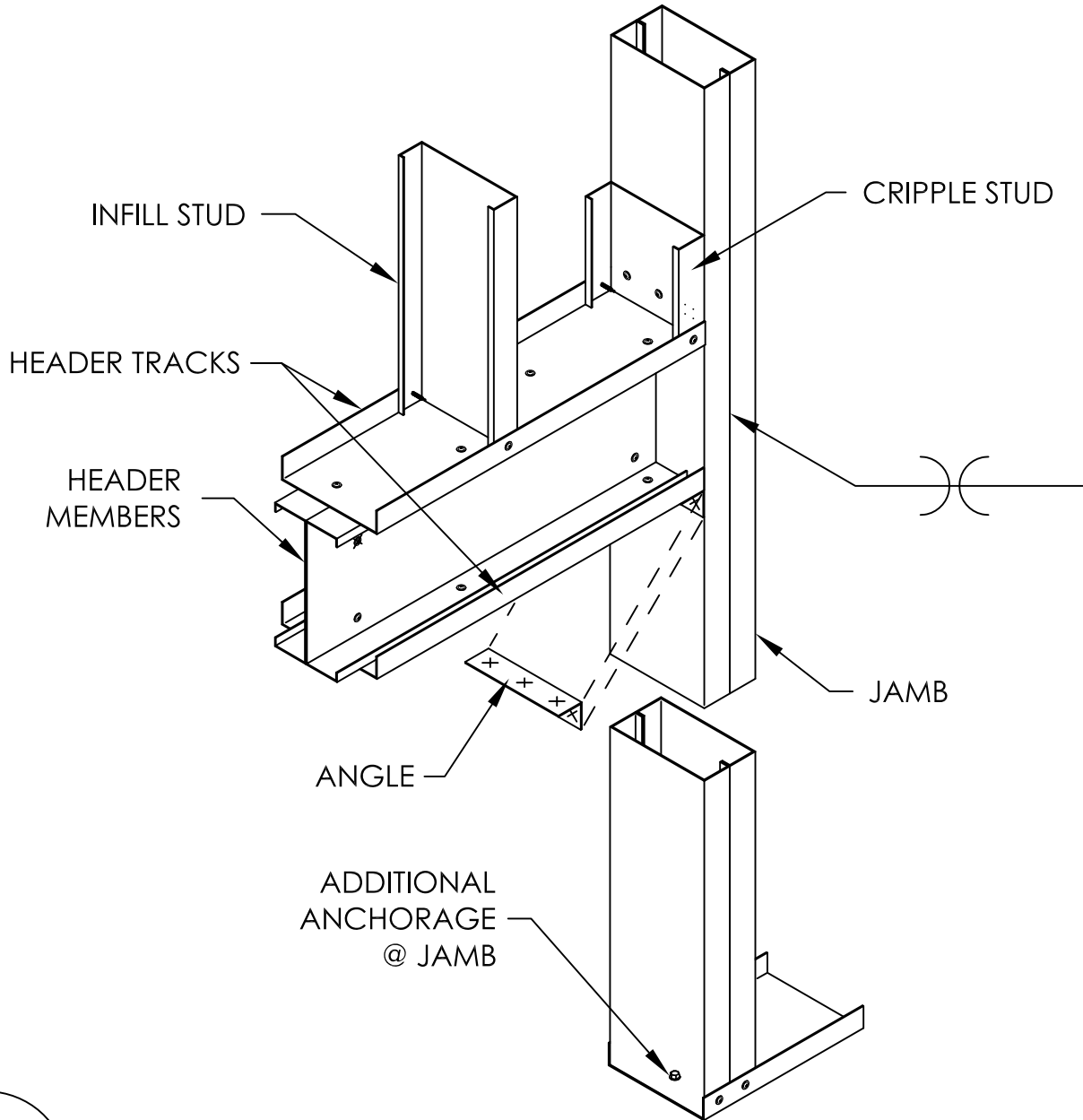
Locations In: Washington • Idaho • Oregon • Montana • California • Alaska • Alberta





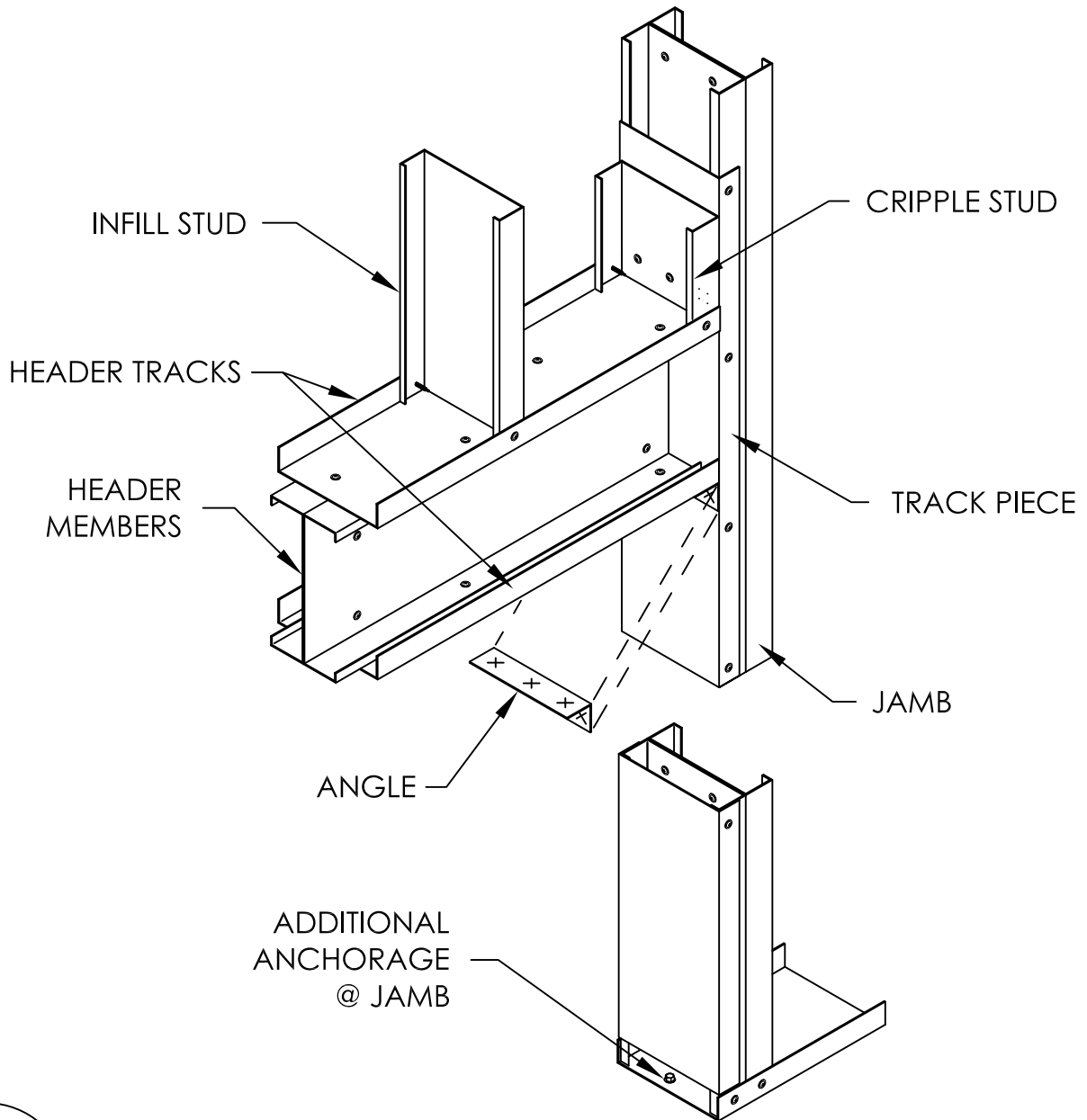
DR-1
XX

Door Load Bearing Back to Back Header Single Jamb
NTS



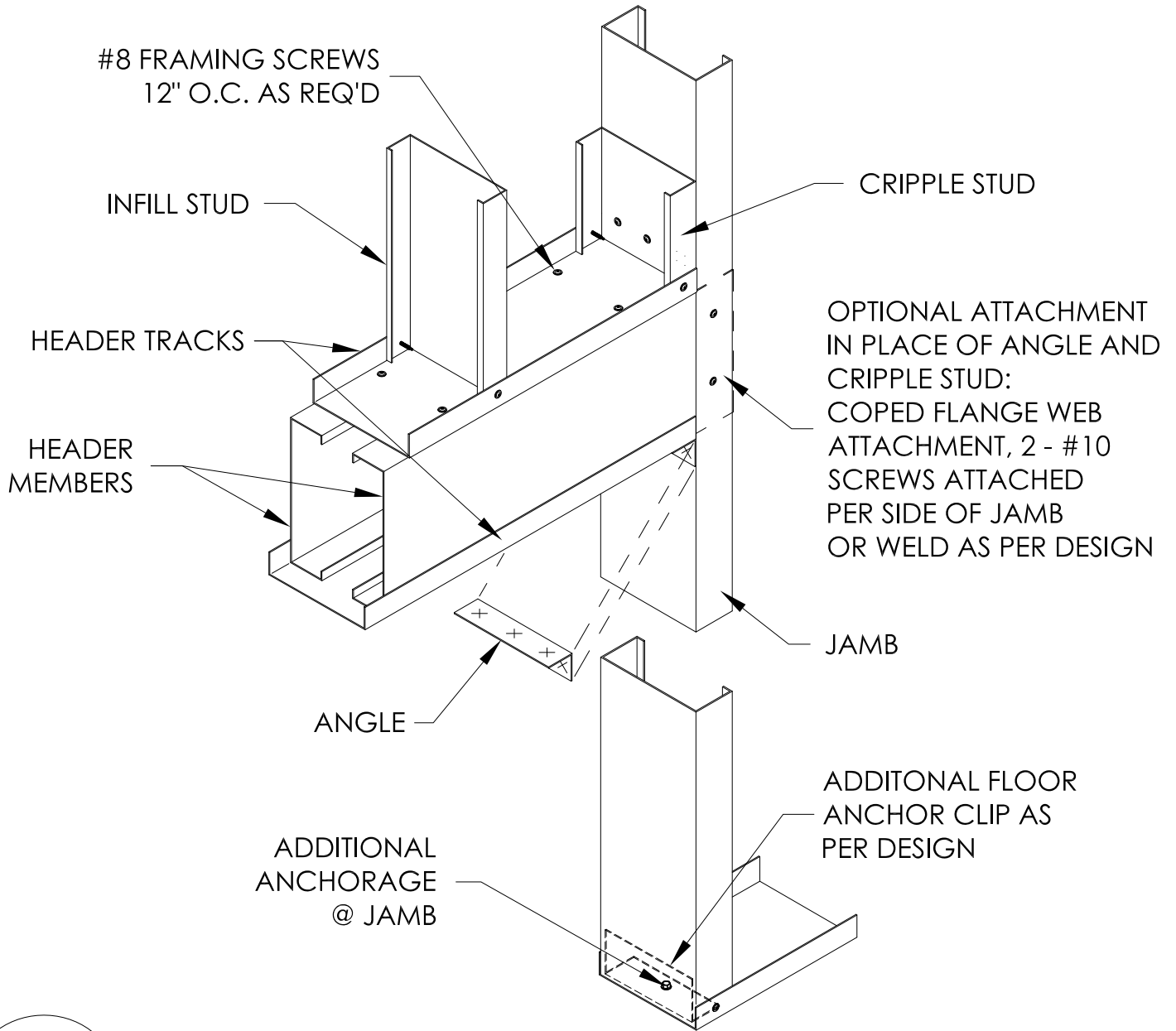
DR-2
XX

Door Load Bearing Back To Back Boxed Header Jamb
NTS



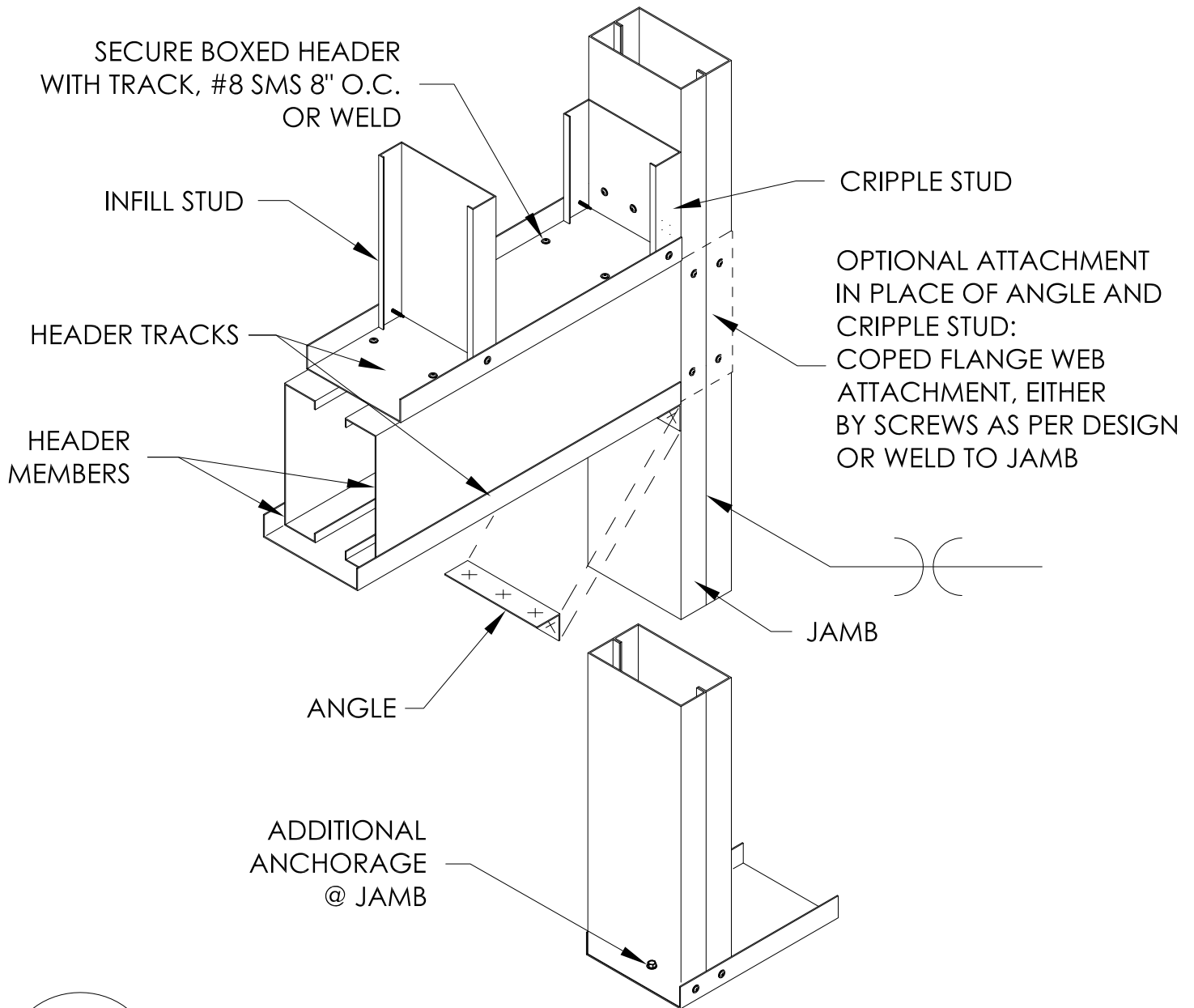
DR-3
XX

Door Load Bearing Back to Back Header Back to Back Jamb
NTS



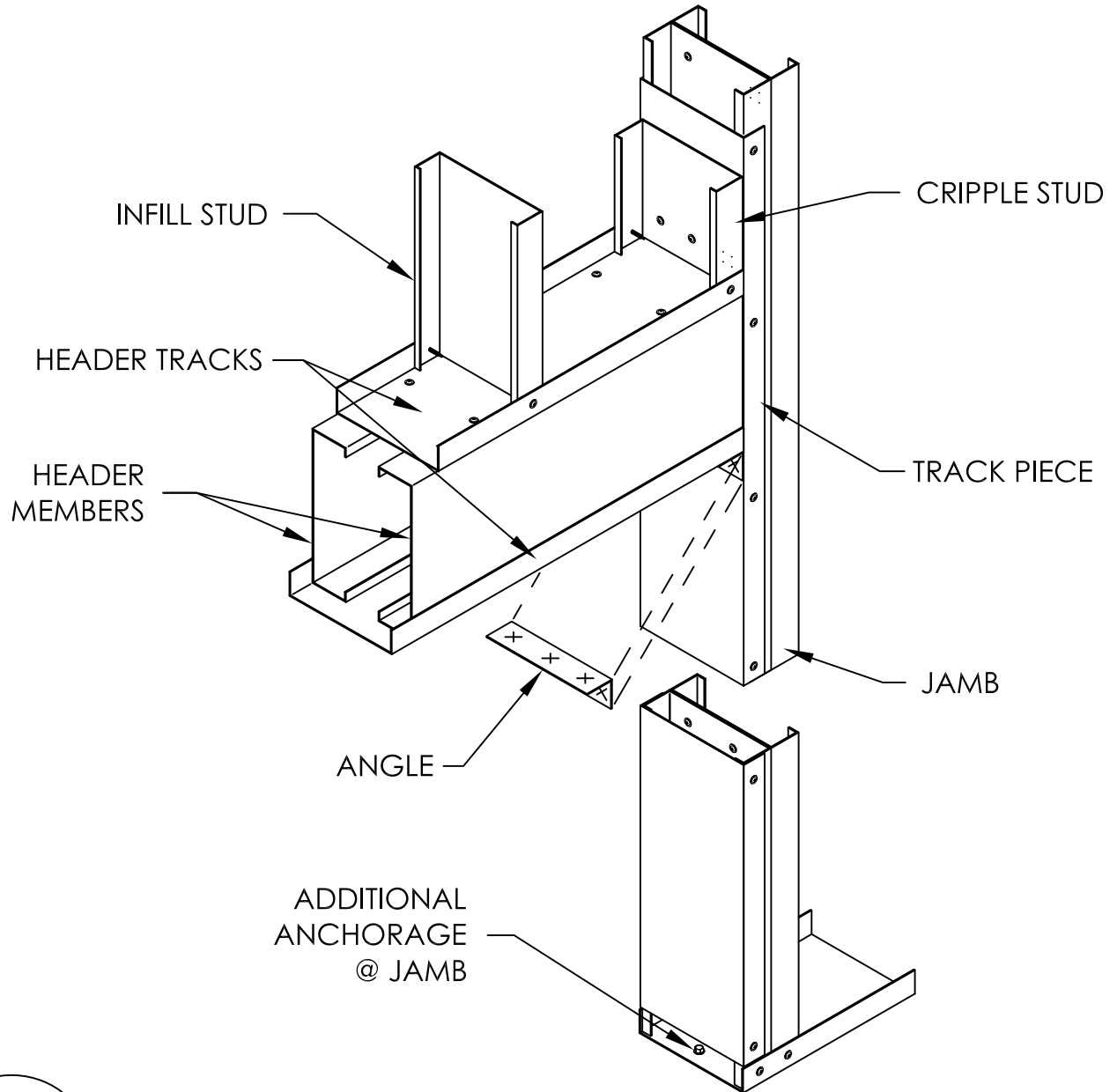
DR-4
XX

Door Load Bearing Boxed Header Single Jamb
NTS



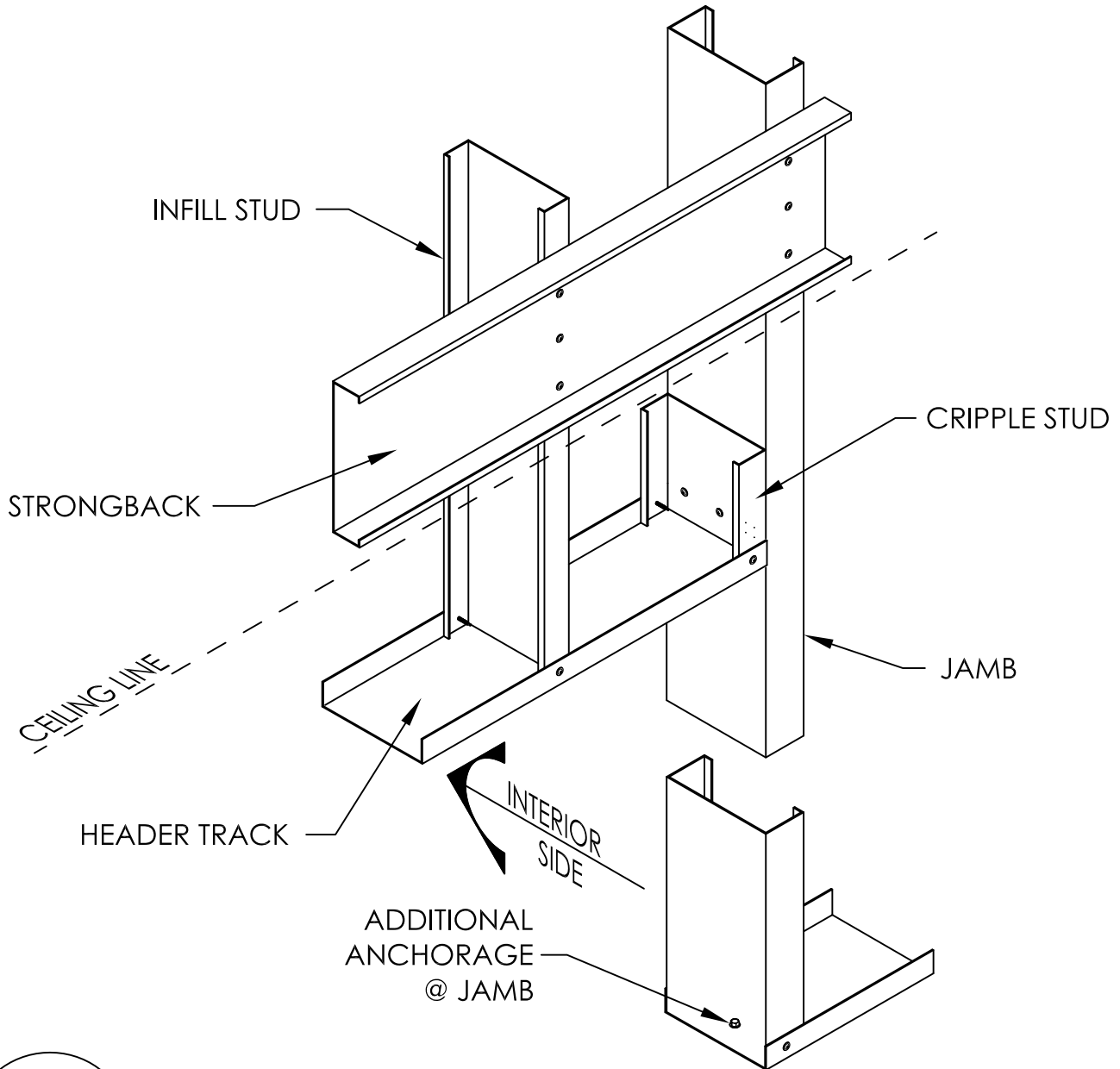
DR-5
XX

Door Load Bearing Boxed Header Boxed Jamb
NTS



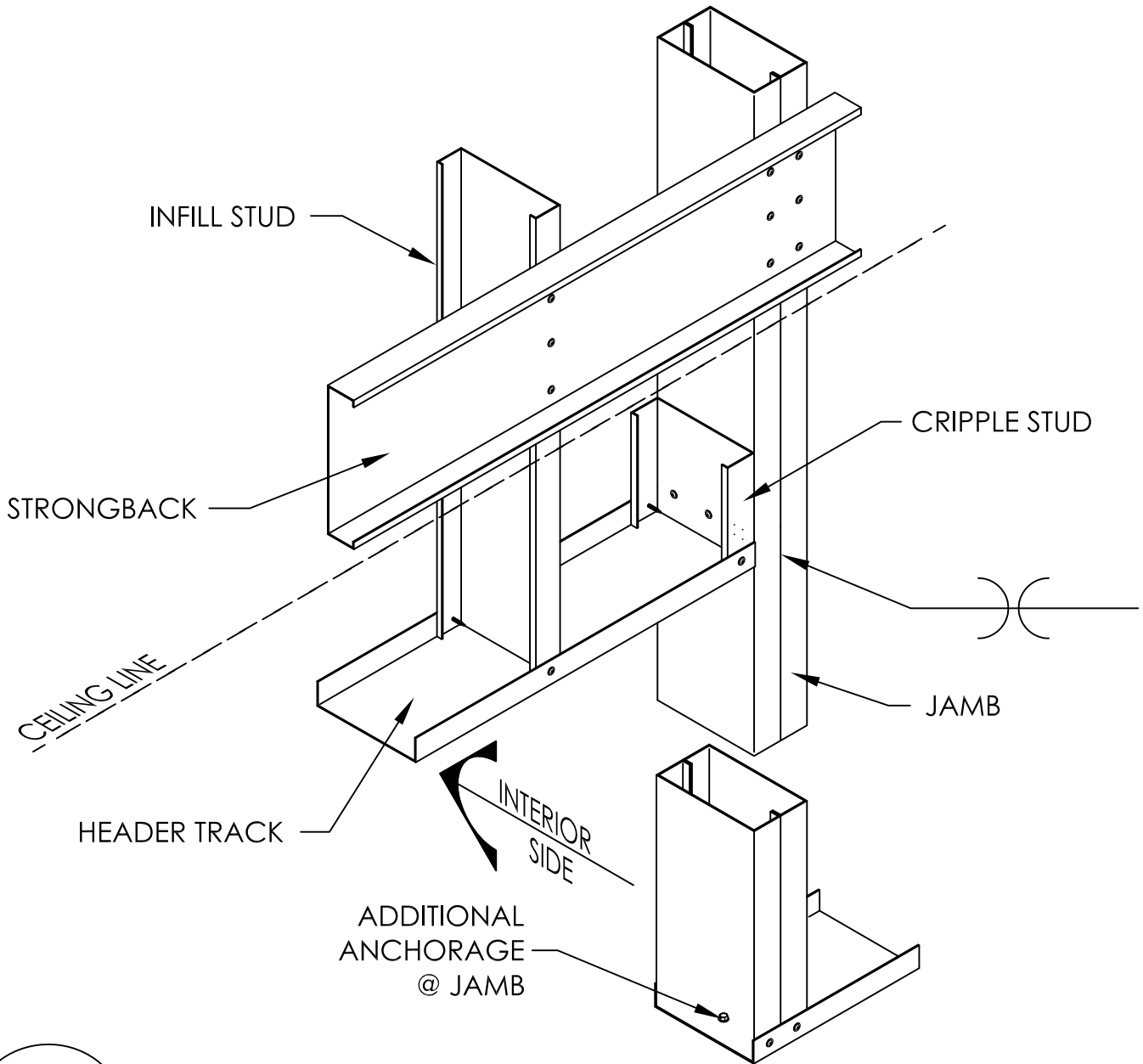
DR-6
XX

Door Load Bearing Boxed Header Back to Back Jamb
NTS



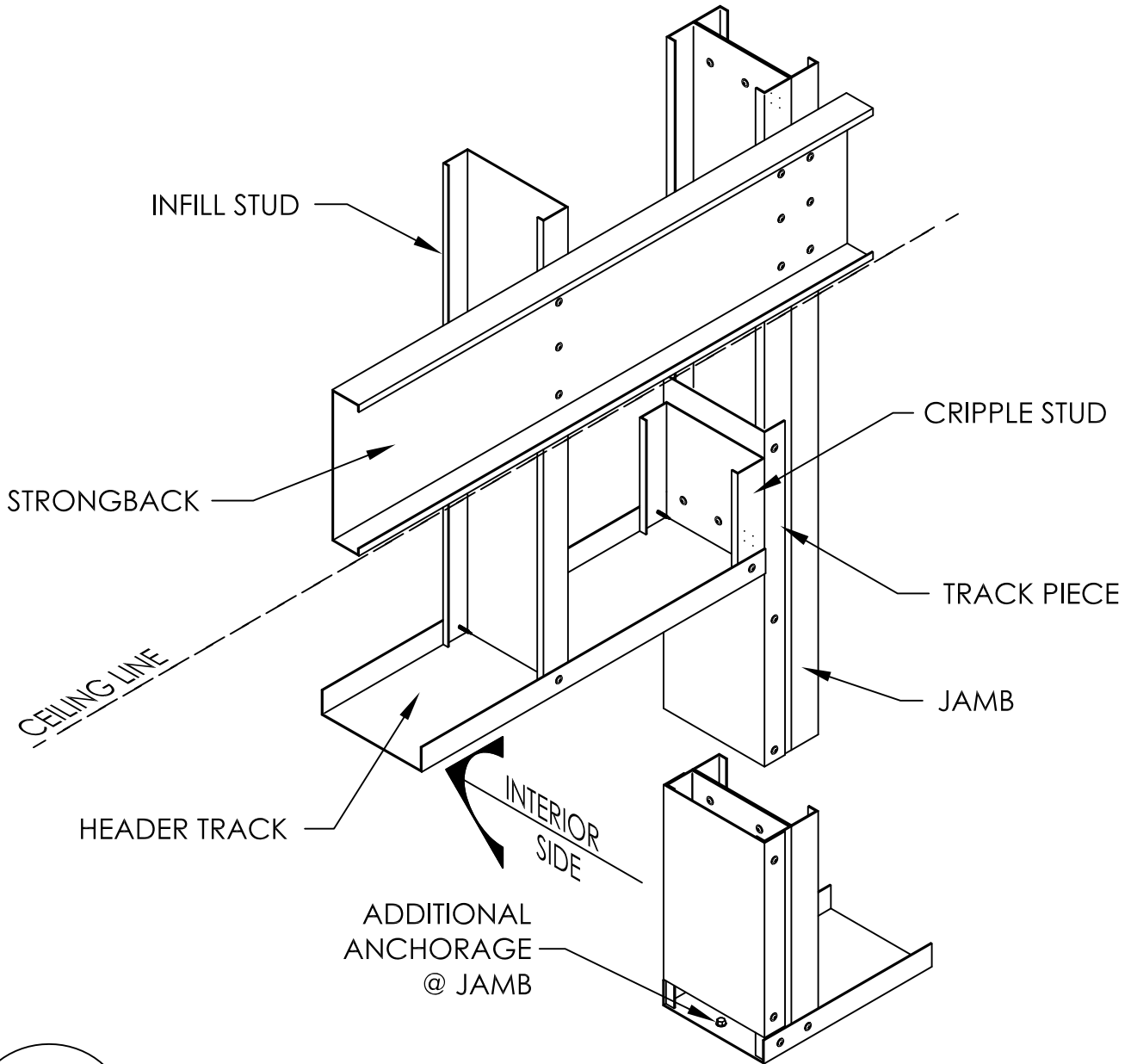
DR-7
XX

Door Load Bearing Single Header with Strongback Single Jamb
NTS



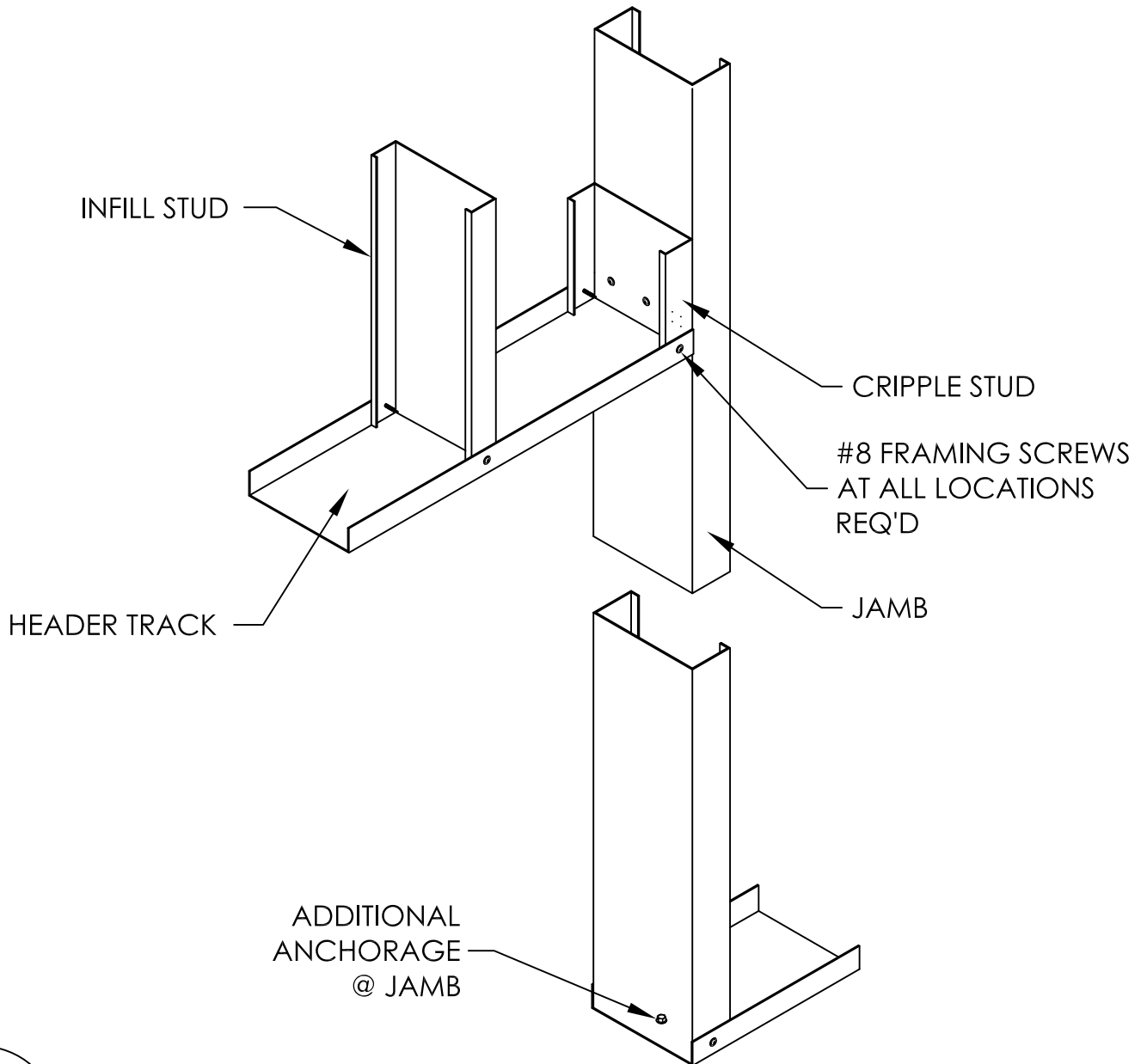
DR-8
XX

Door Load Bearing Single Header with Strongback Jamb
NTS



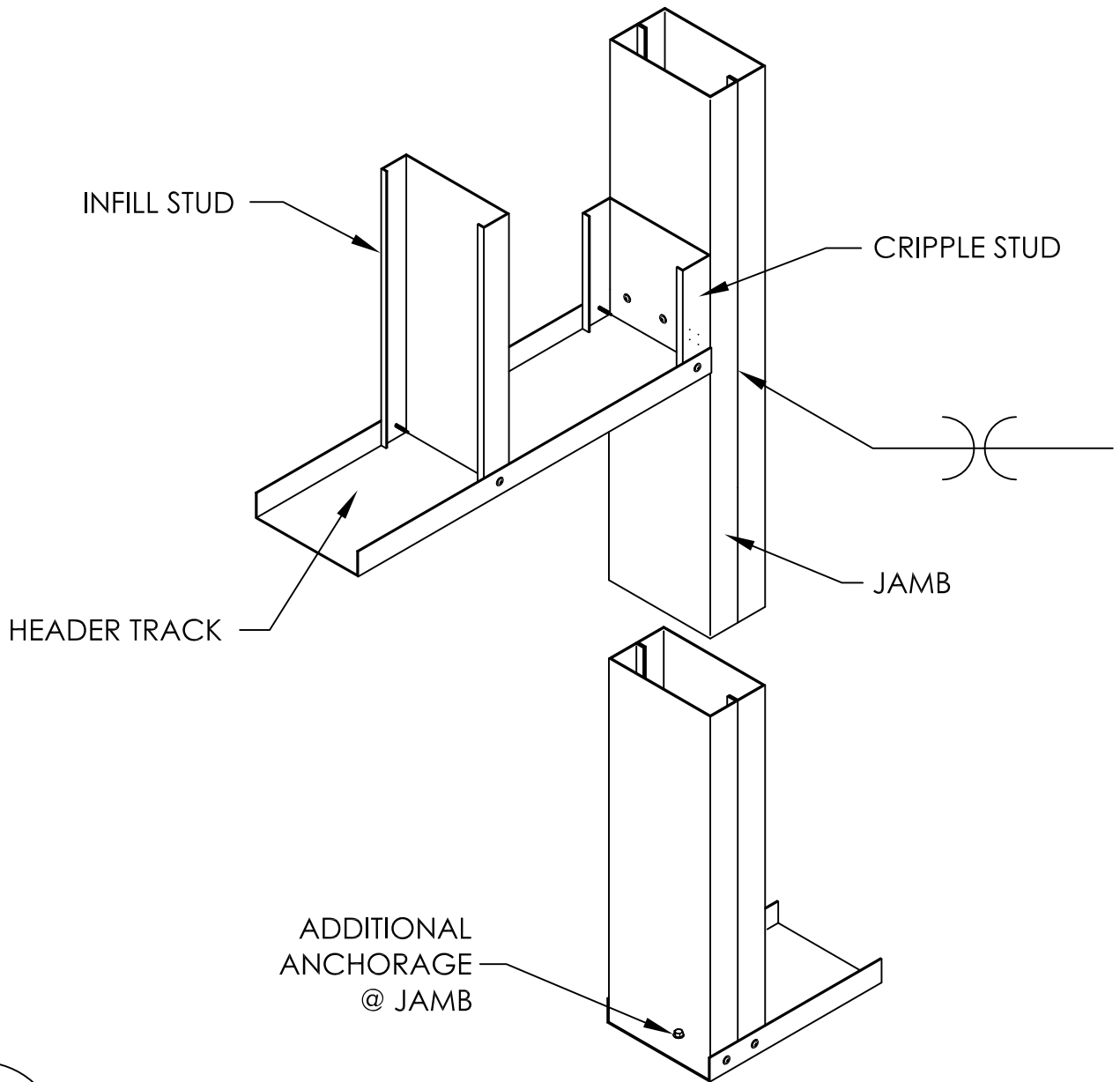
DR-9
XX

Door Load Bearing Single Header With Strongback Back to Back Jamb
NTS



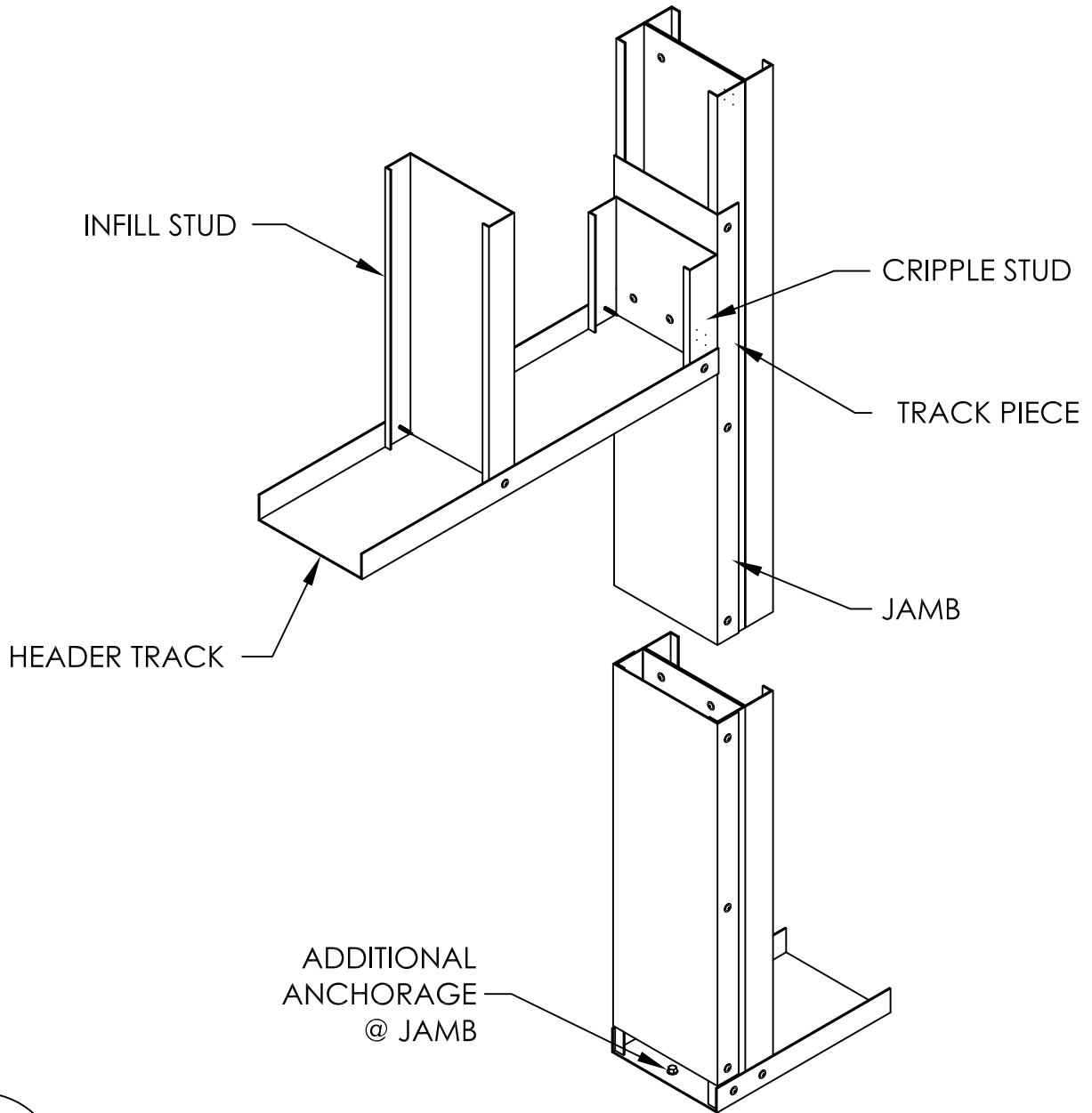
DR-10
XX

Door Non-Load Bearing Single Track Header Single Jamb
NTS



DR-11
XX

Door Non-Load Bearing Single Track Header Boxed Jamb
NTS



DR-12

XX

Door Non-Load Bearing Single Track Header Back to Back Jamb

NTS

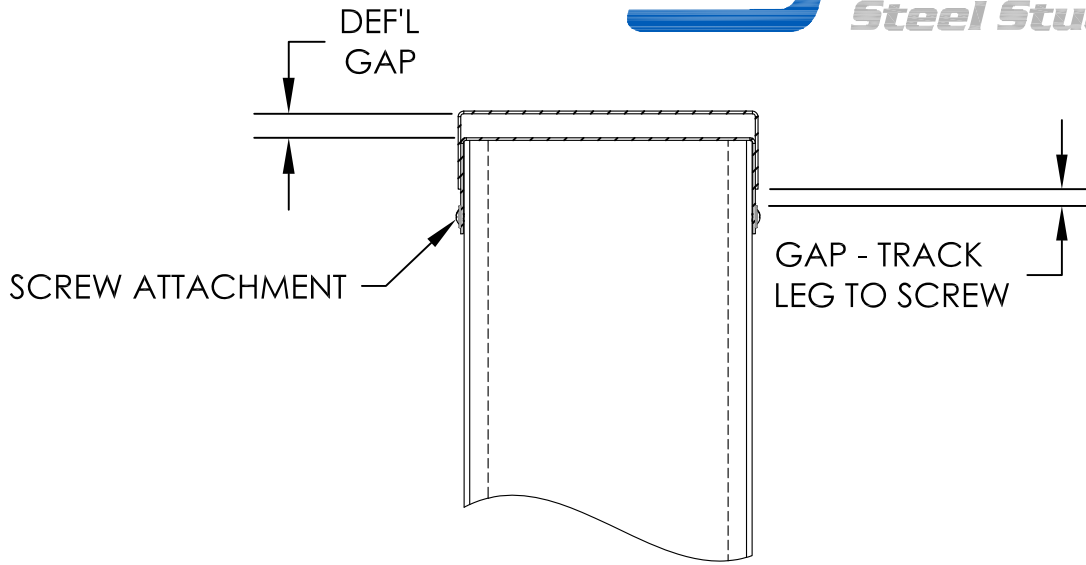


Deflection Track Assembly

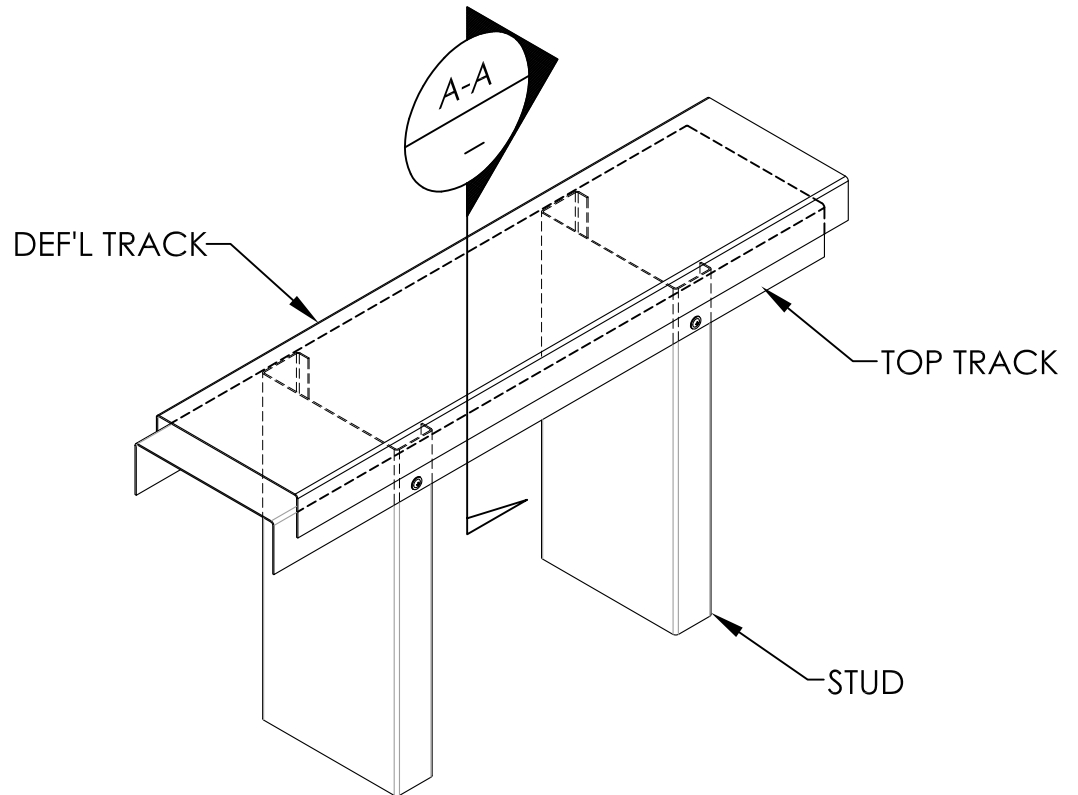
Manufacturing Products for the Agriculture and Construction Industries Since 1954

Locations In: Washington • Idaho • Oregon • Montana • California • Alaska • Alberta





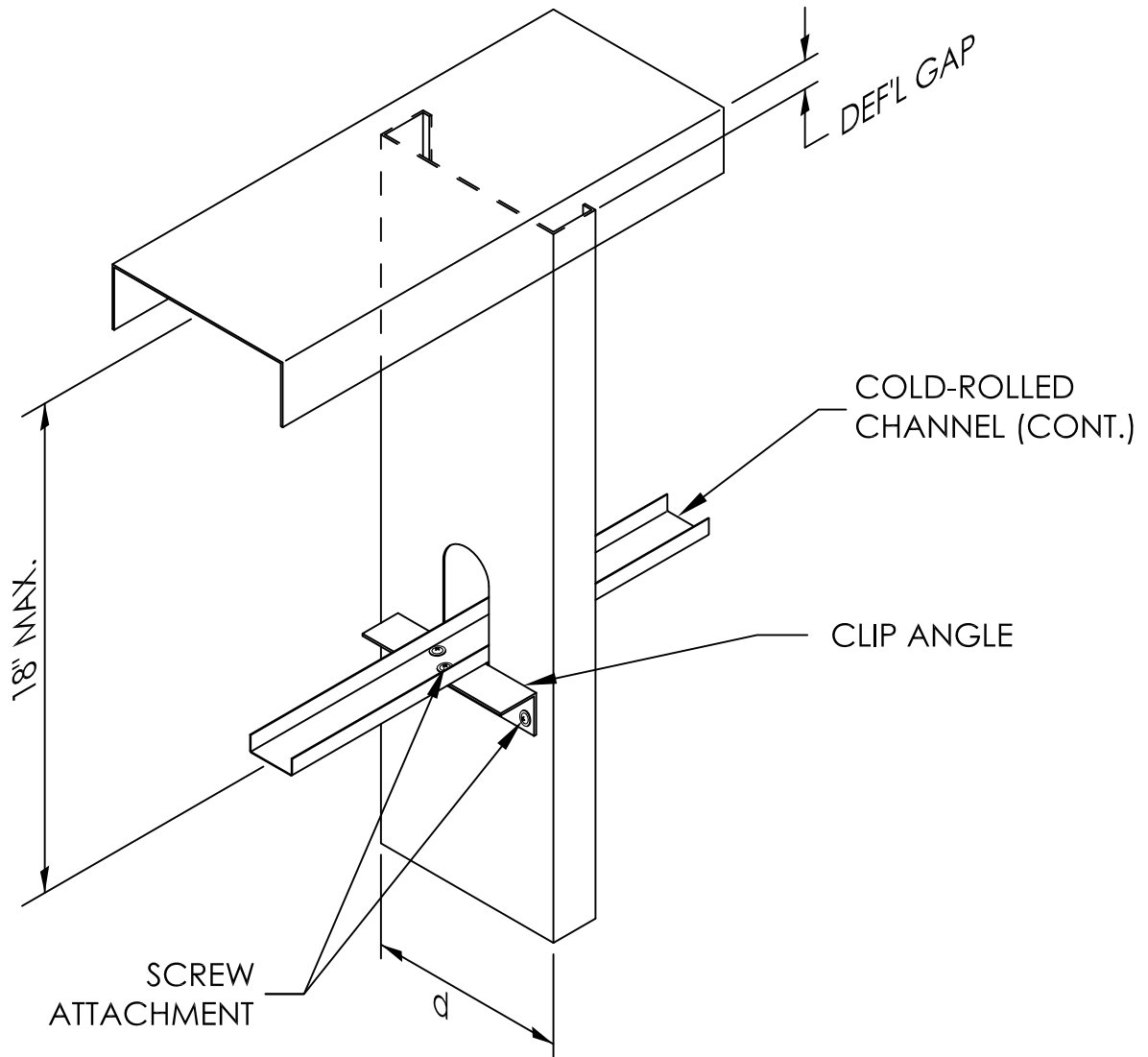
SECTION A-A



DEFL-1
XX

Deflection Track-In-Track Assembly

NTS



DEFL-2
XX

Deflection Track Single Track with Cold-Rolled Channel
NTS

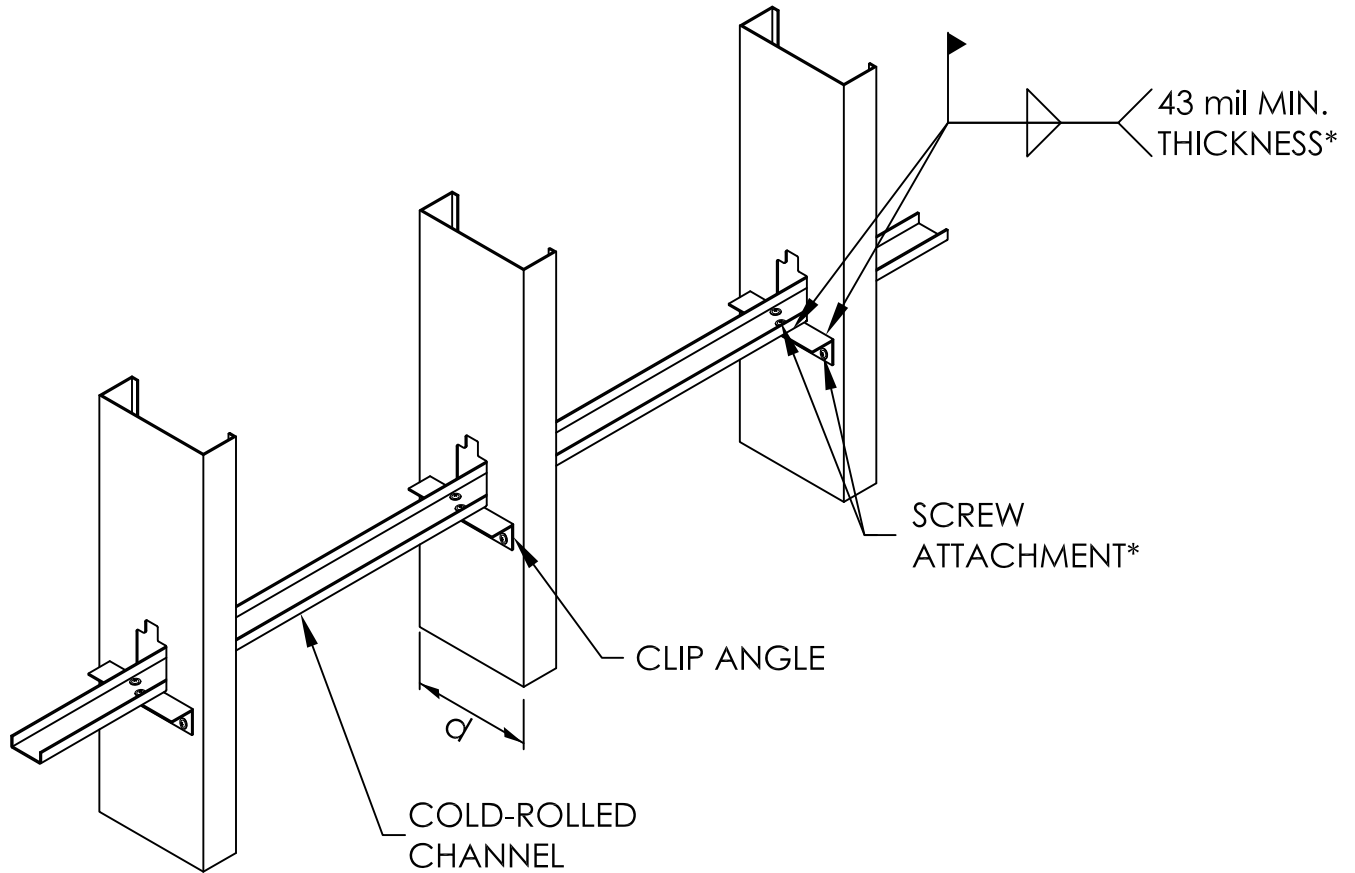


Bridging and Backing

Manufacturing Products for the Agriculture and Construction Industries Since 1954

Locations In: Washington • Idaho • Oregon • Montana • California • Alaska • Alberta



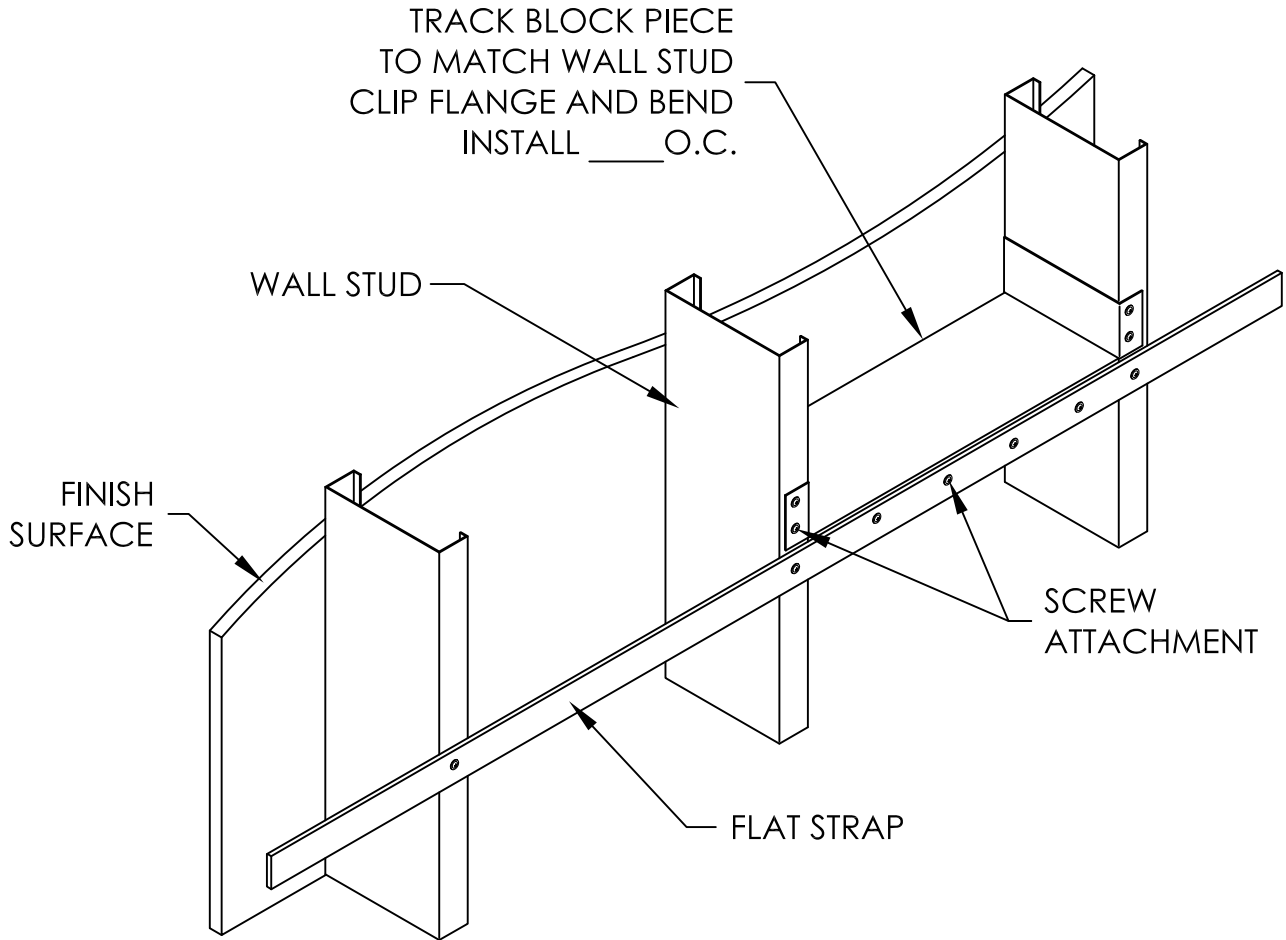


* EITHER SCREW OR WELD ATTACHMENT REQUIRED

BRG-1
XX

Bridging Cold-Rolled Channel With Clip Angle

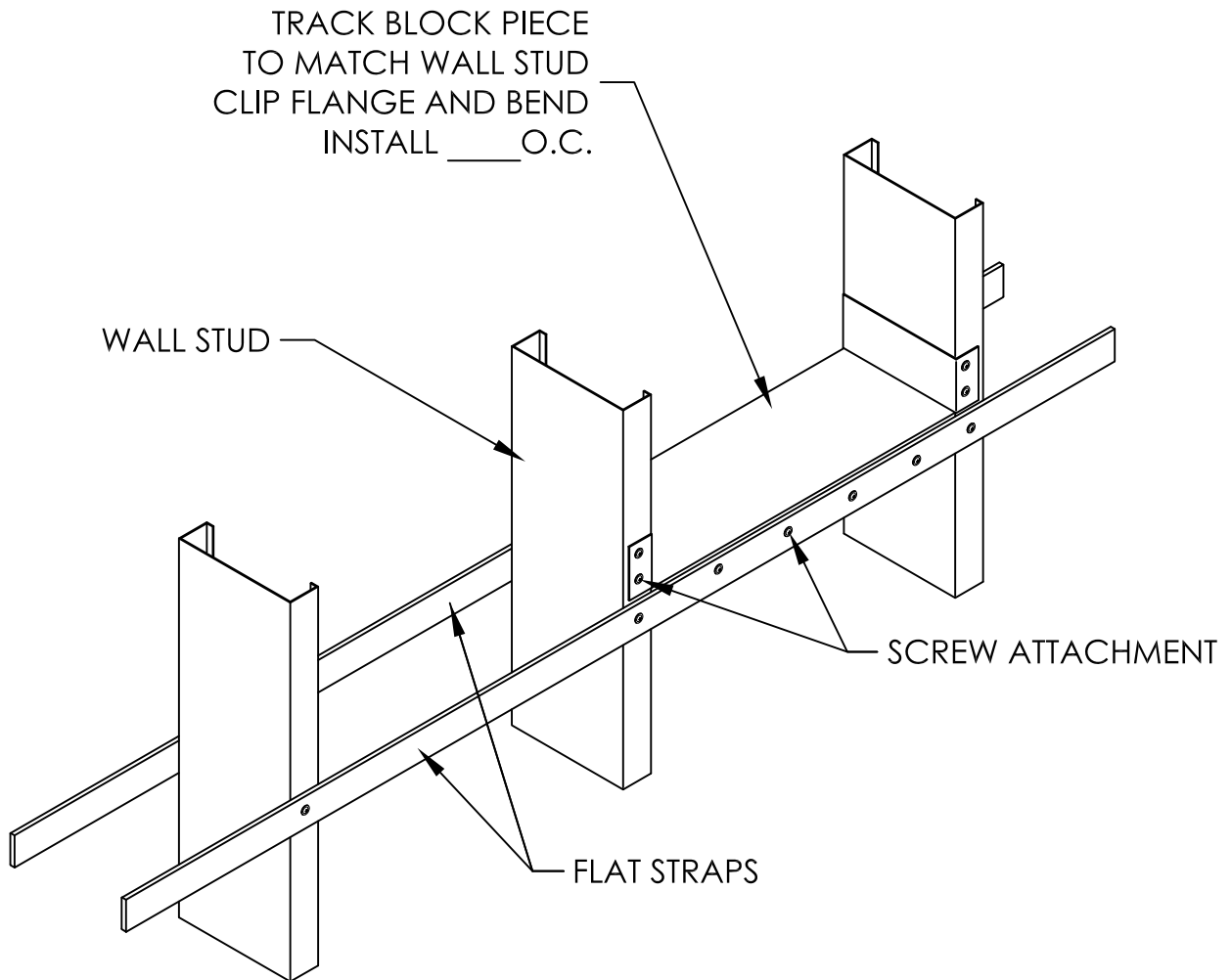
NTS



BRG-2
XX

Bridging Single Flat Strap With Blocking

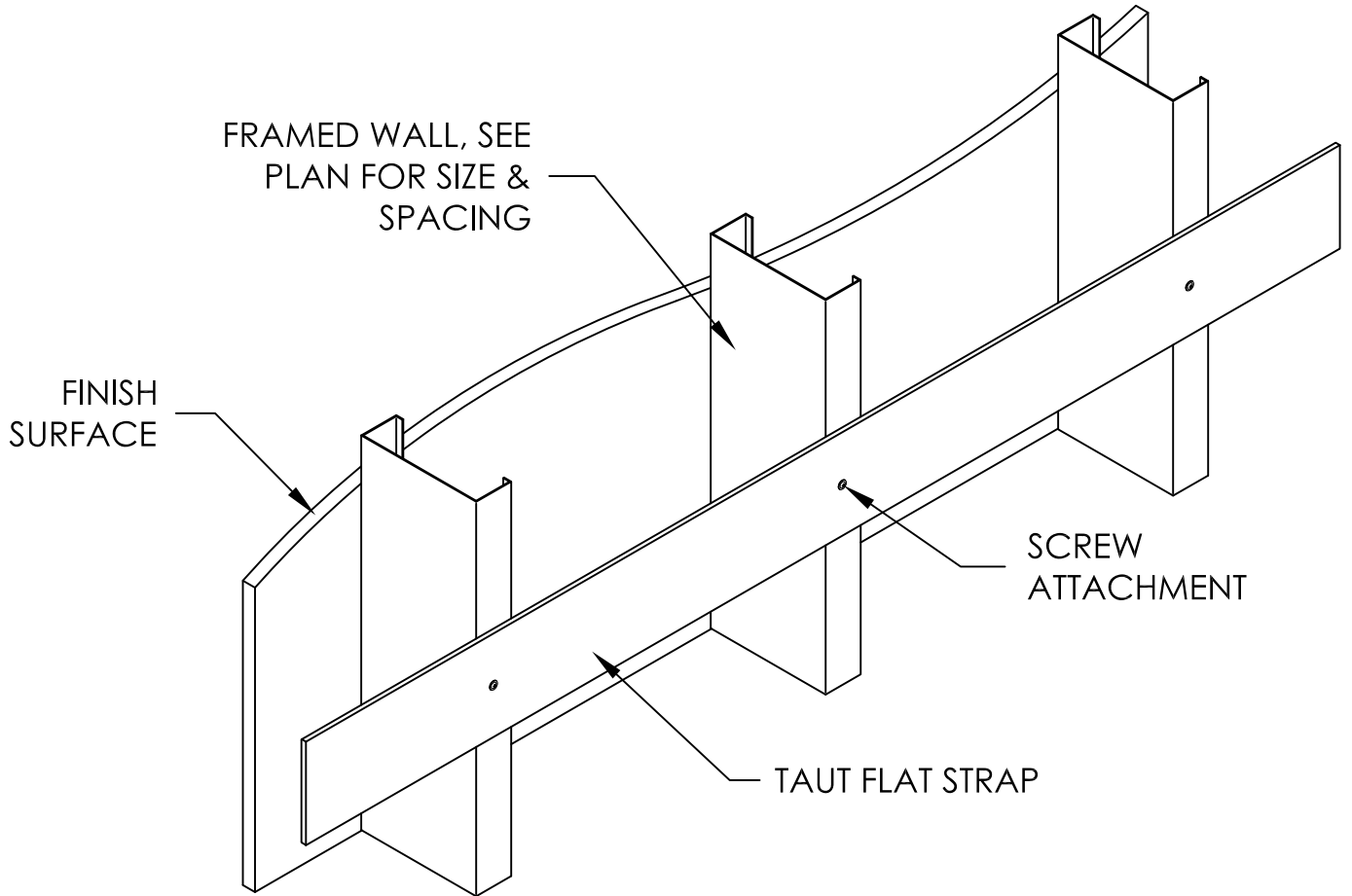
NTS



BRG-3
XX

Bridging Double Flat Strap With Blocking

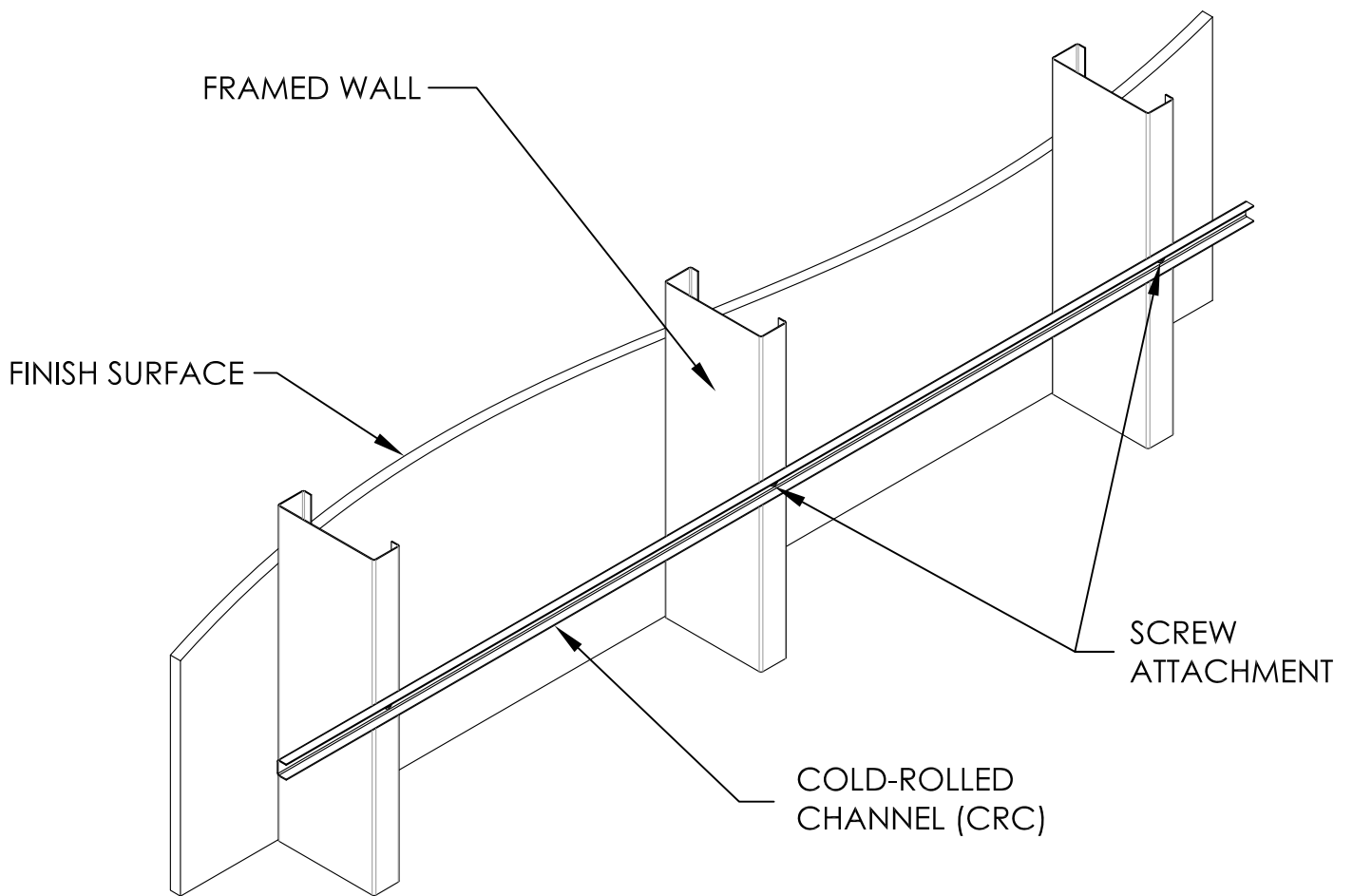
NTS



BACK-1
XX

Backing Flat Strap Lightly Loaded

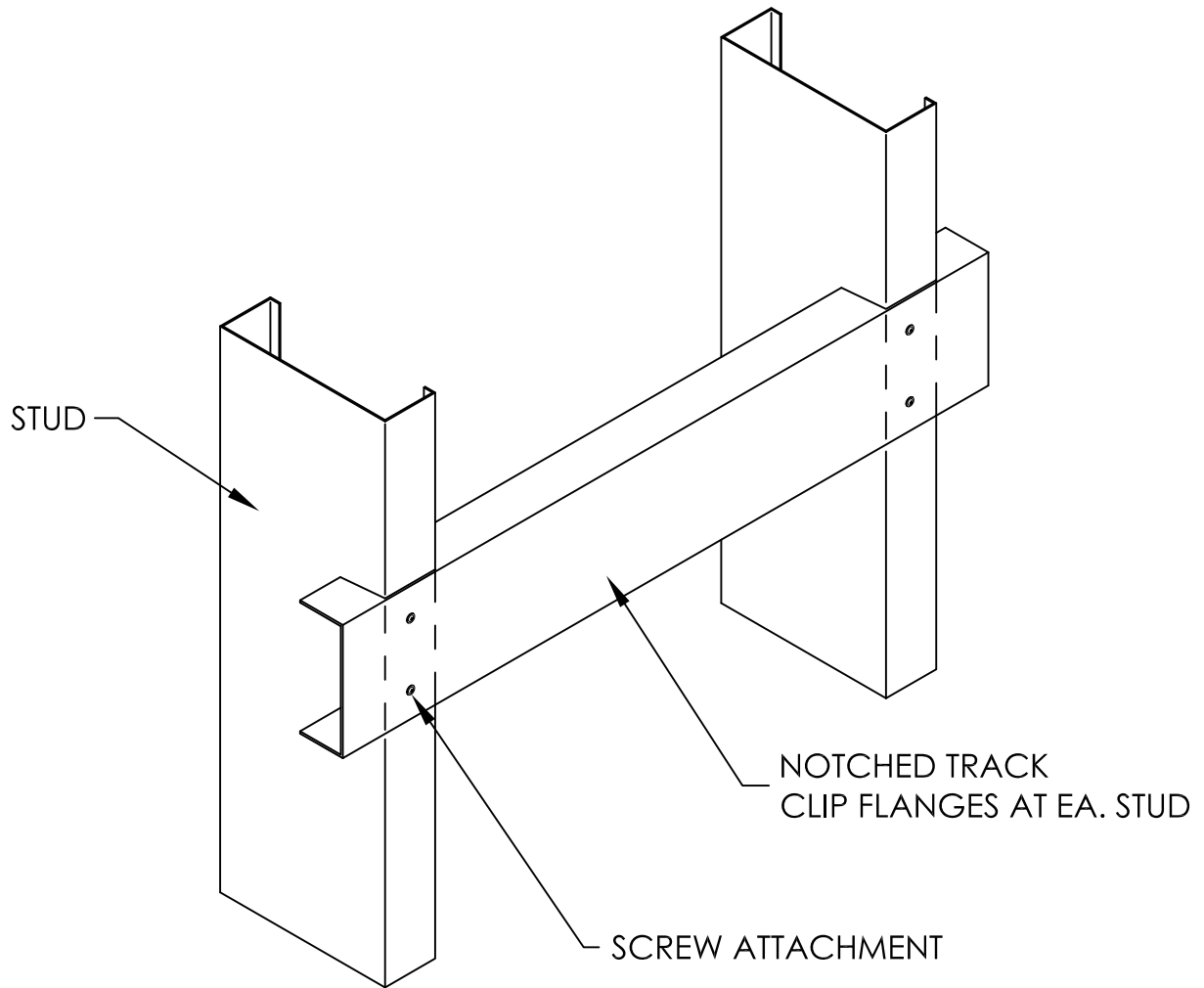
NTS



BRG-4
XX

Bridging Single CRC With Sheeting

NTS



BACK-2
XX

Backing Clipped Track Heavily Loaded

NTS

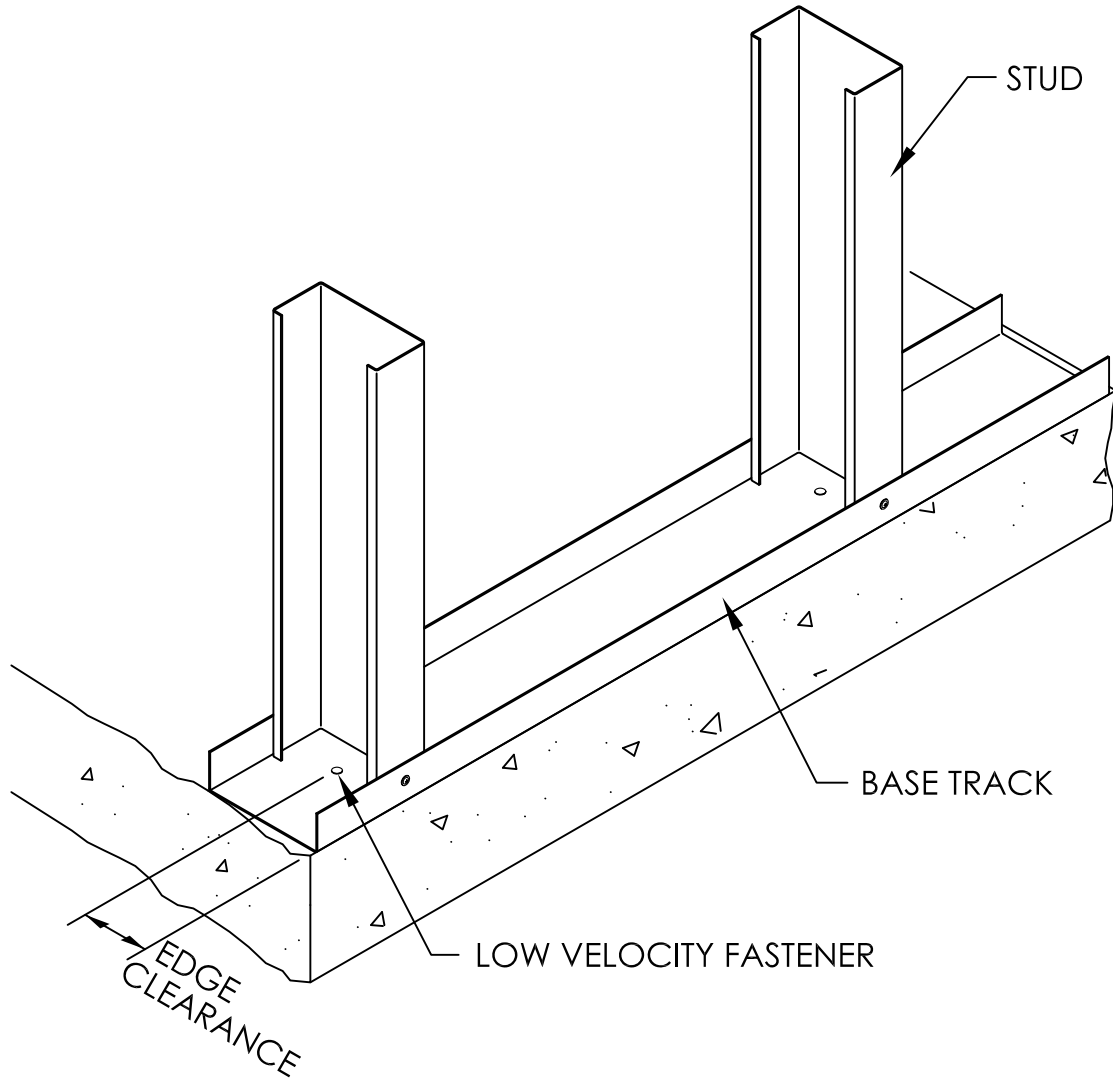


Bottom Anchor Track

Manufacturing Products for the Agriculture and Construction Industries Since 1954

Locations In: Washington • Idaho • Oregon • Montana • California • Alaska • Alberta

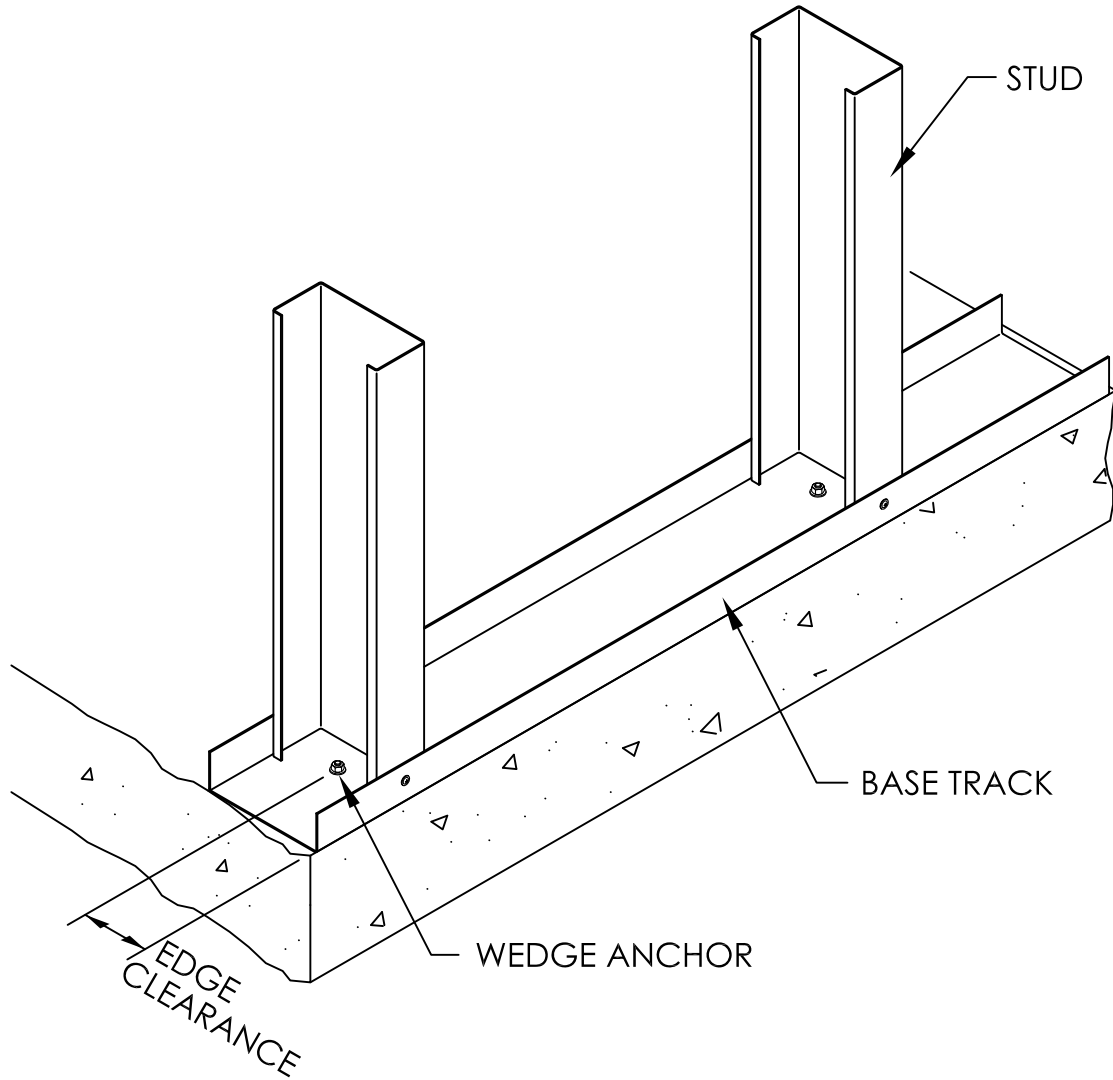




BASE-1
XX

Bottom Track Anchorage Low Velocity Fastener

NTS



BASE-2
XX

Bottom Track Anchorage Wedge Anchor

NTS

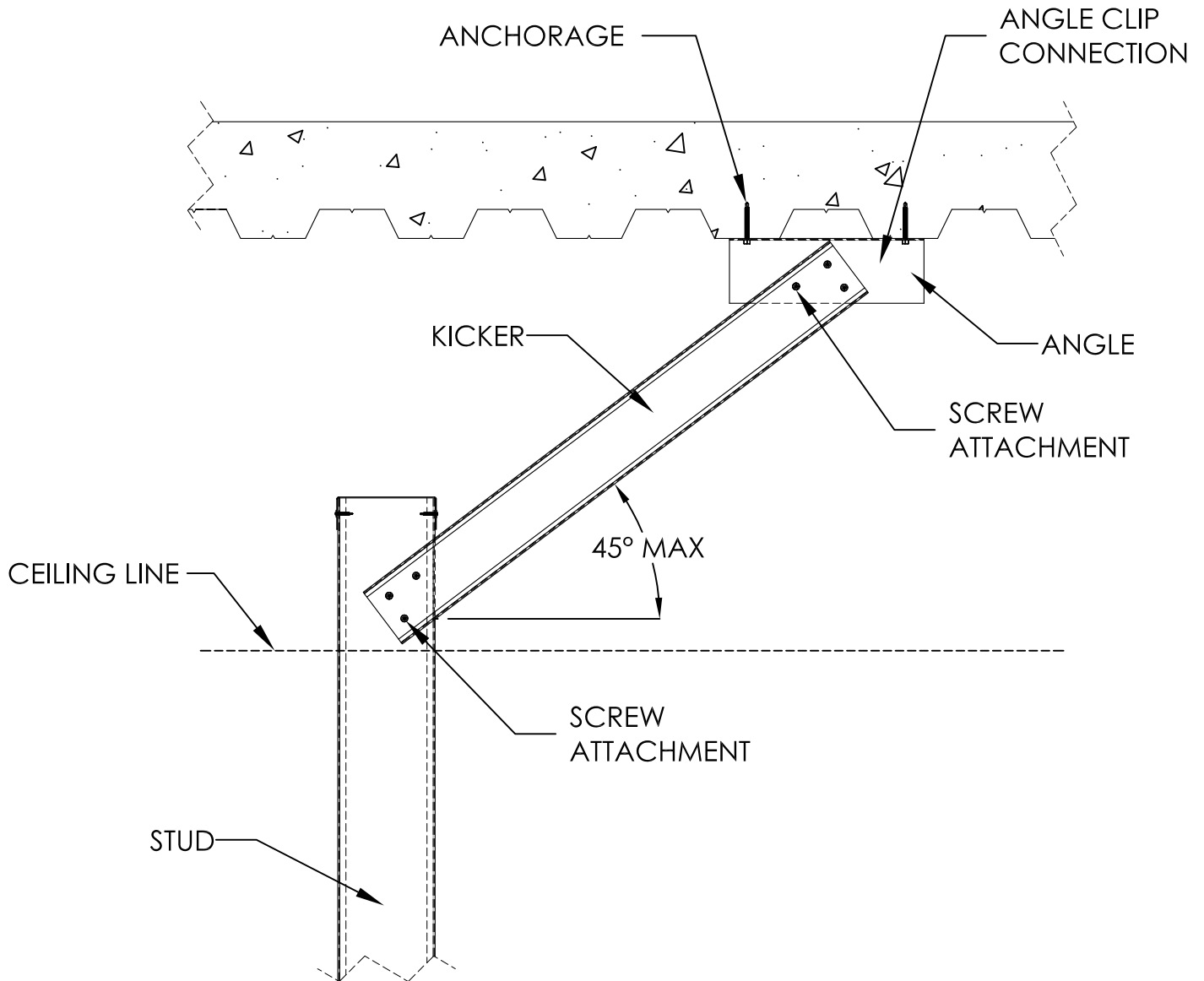


Interior Wall with Kicker

Manufacturing Products for the Agriculture and Construction Industries Since 1954

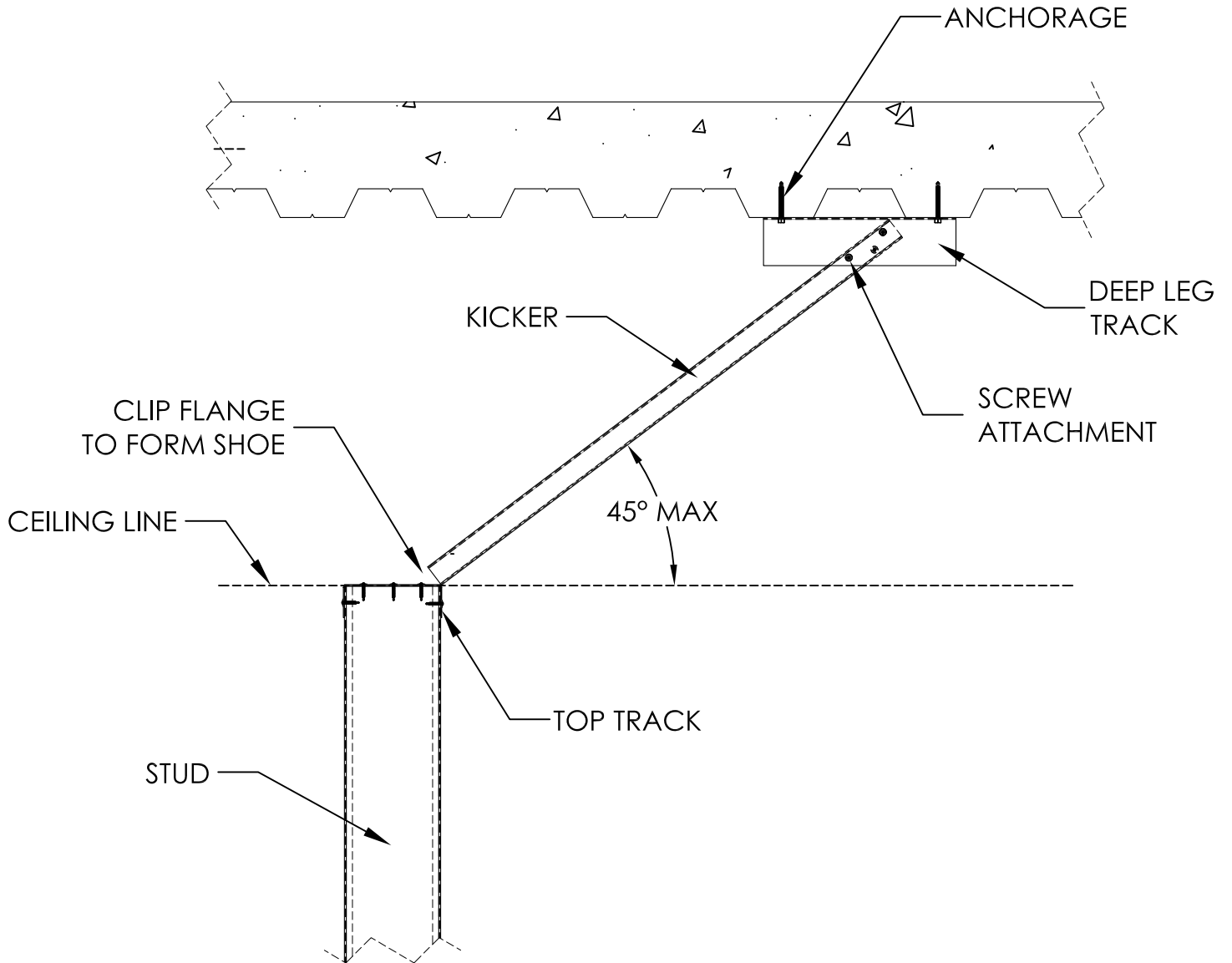
Locations In: Washington • Idaho • Oregon • Montana • California • Alaska • Alberta





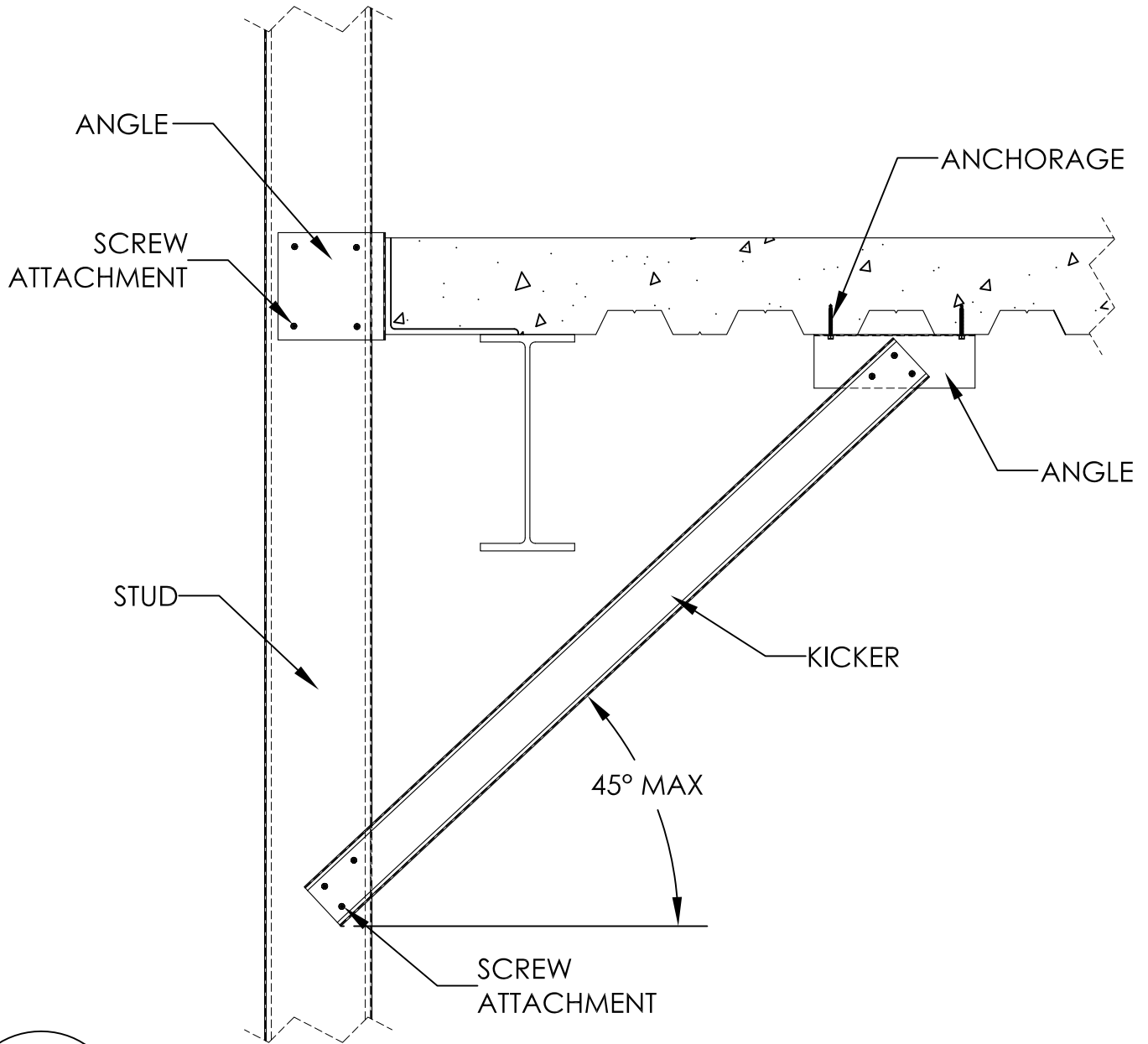
KICK-1
XX

Non-Load Bearing Interior Wall Diagonal Kicker Screwed
NTS



KICK-2
 XX

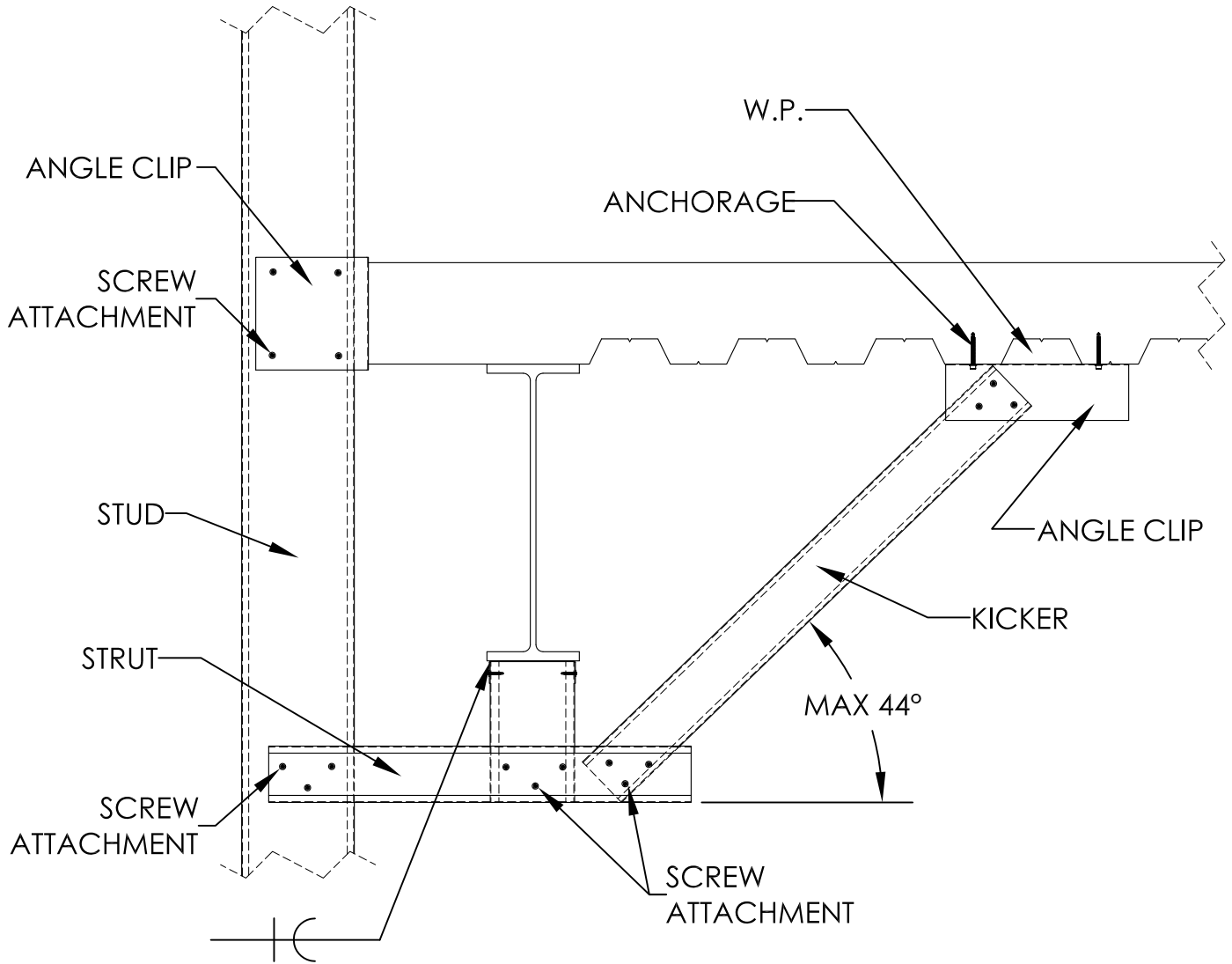
Non-Load Bearing Interior Wall Diagonal Kicker Clipped
 NTS



KICK-3
XX

Spandrel Curtain Wall Diagonal Brace

NTS



KICK-4
XX

Spandrel Curtain Wall Sticker Vertical Drop and Diagonal Brace

NTS

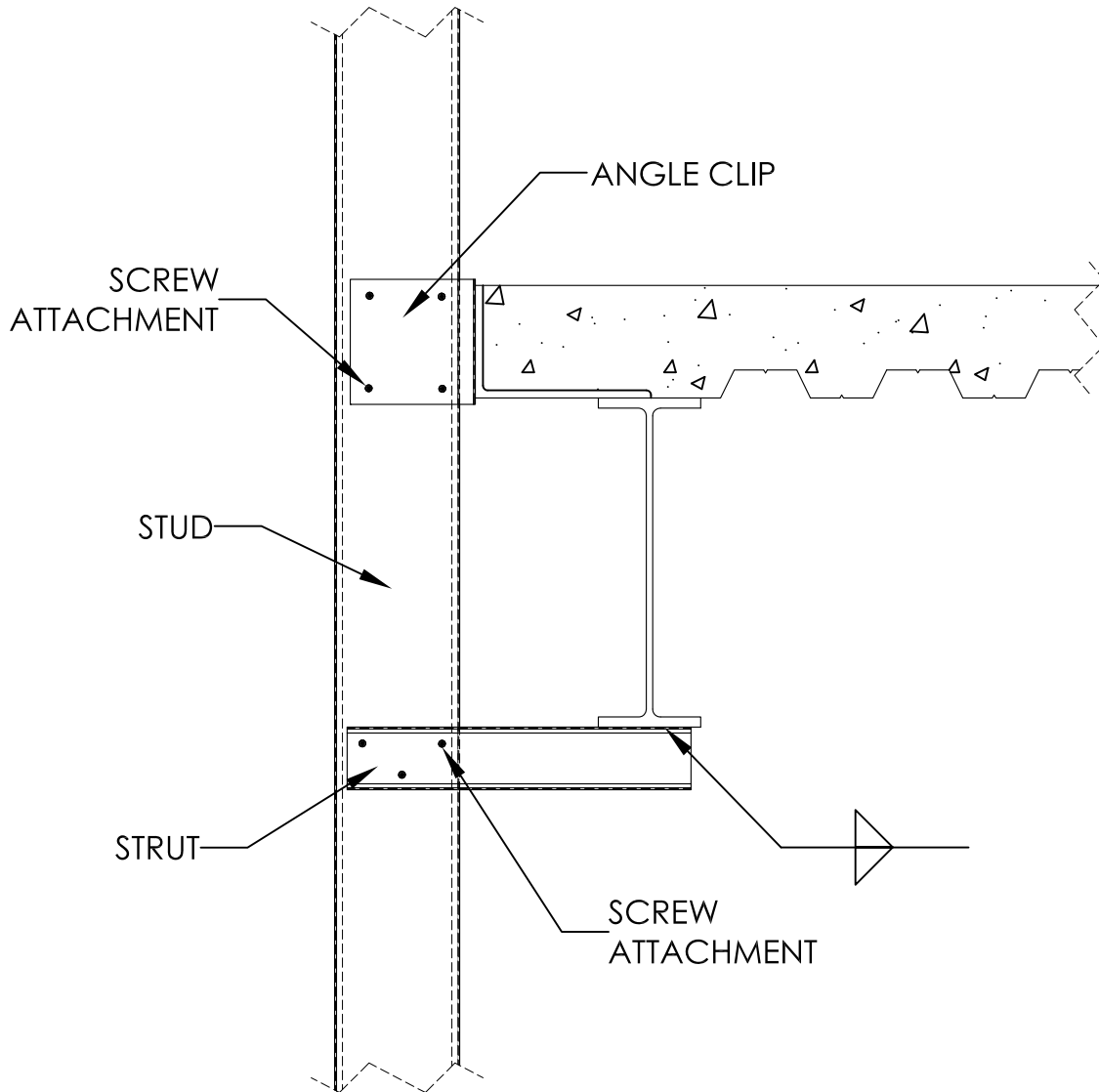


Spandrel Curtain Wall

Manufacturing Products for the Agriculture and Construction Industries Since 1954

Locations In: Washington • Idaho • Oregon • Montana • California • Alaska • Alberta





STRUT-1
XX

Spandrel Curtain Wall Sticker to Beam
NTS

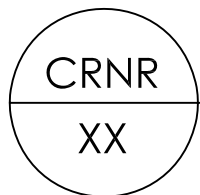
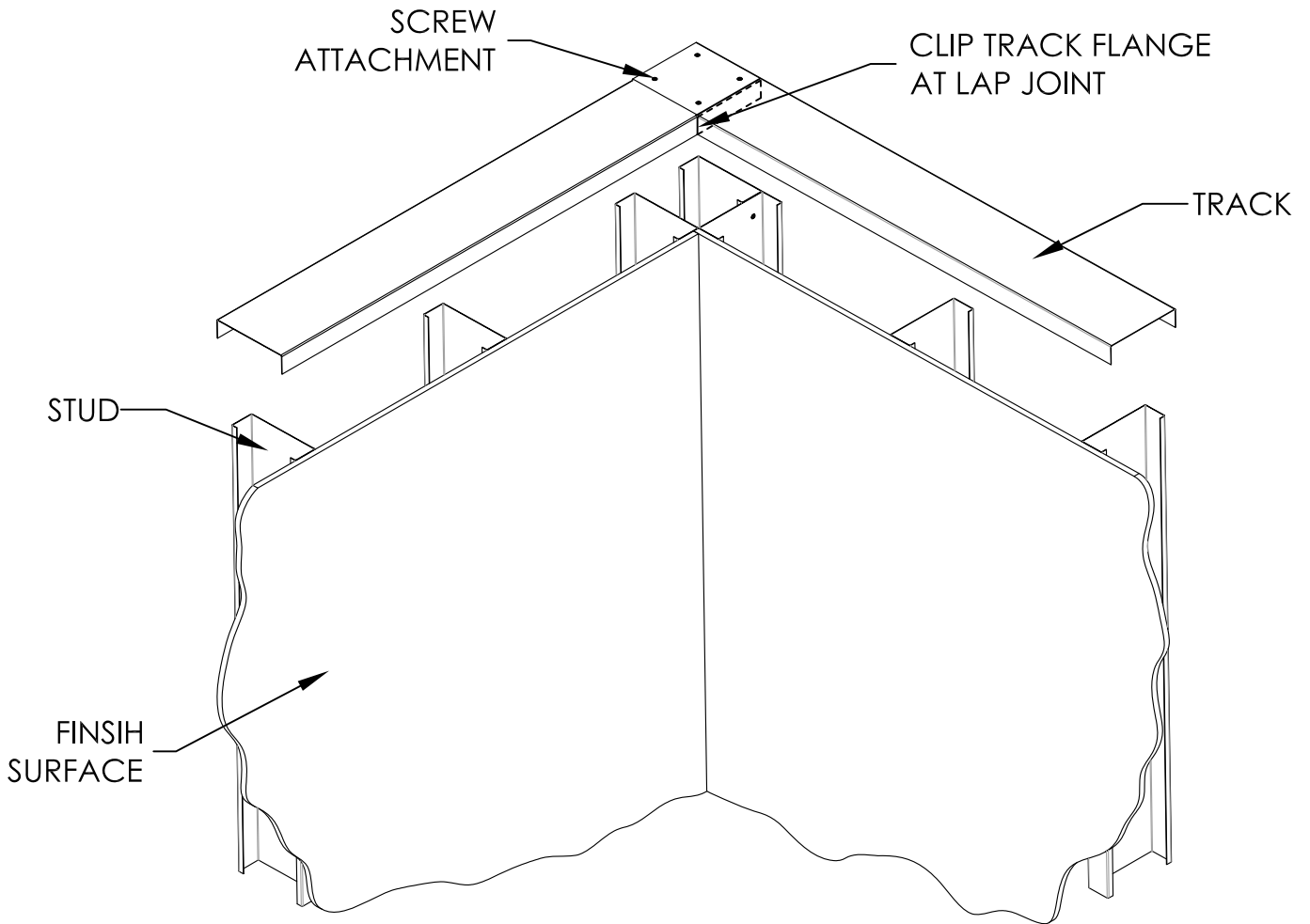


Miscellaneous

Manufacturing Products for the Agriculture and Construction Industries Since 1954

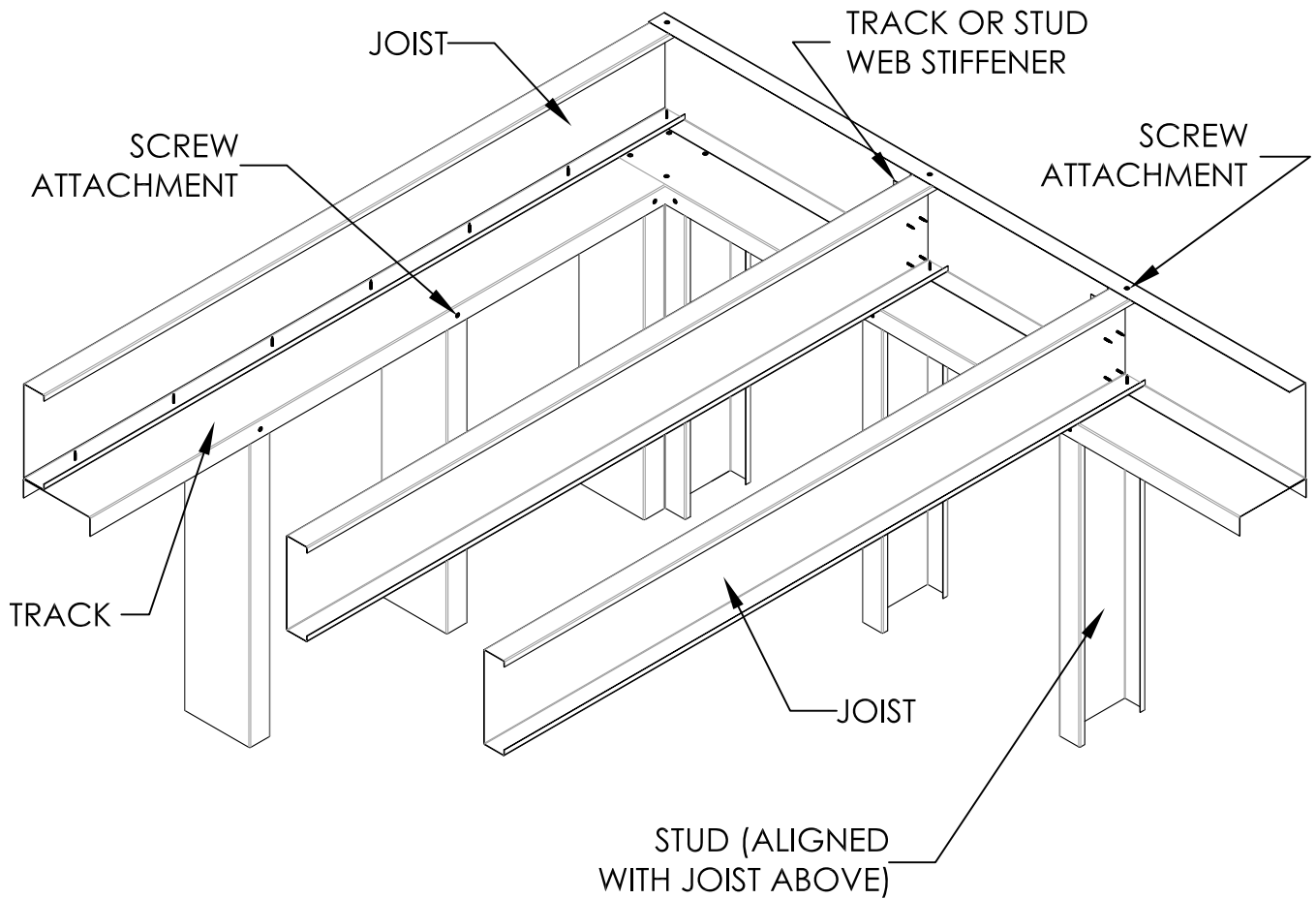
Locations In: Washington • Idaho • Oregon • Montana • California • Alaska • Alberta





Wall Framing at Corner Track Lap Connection

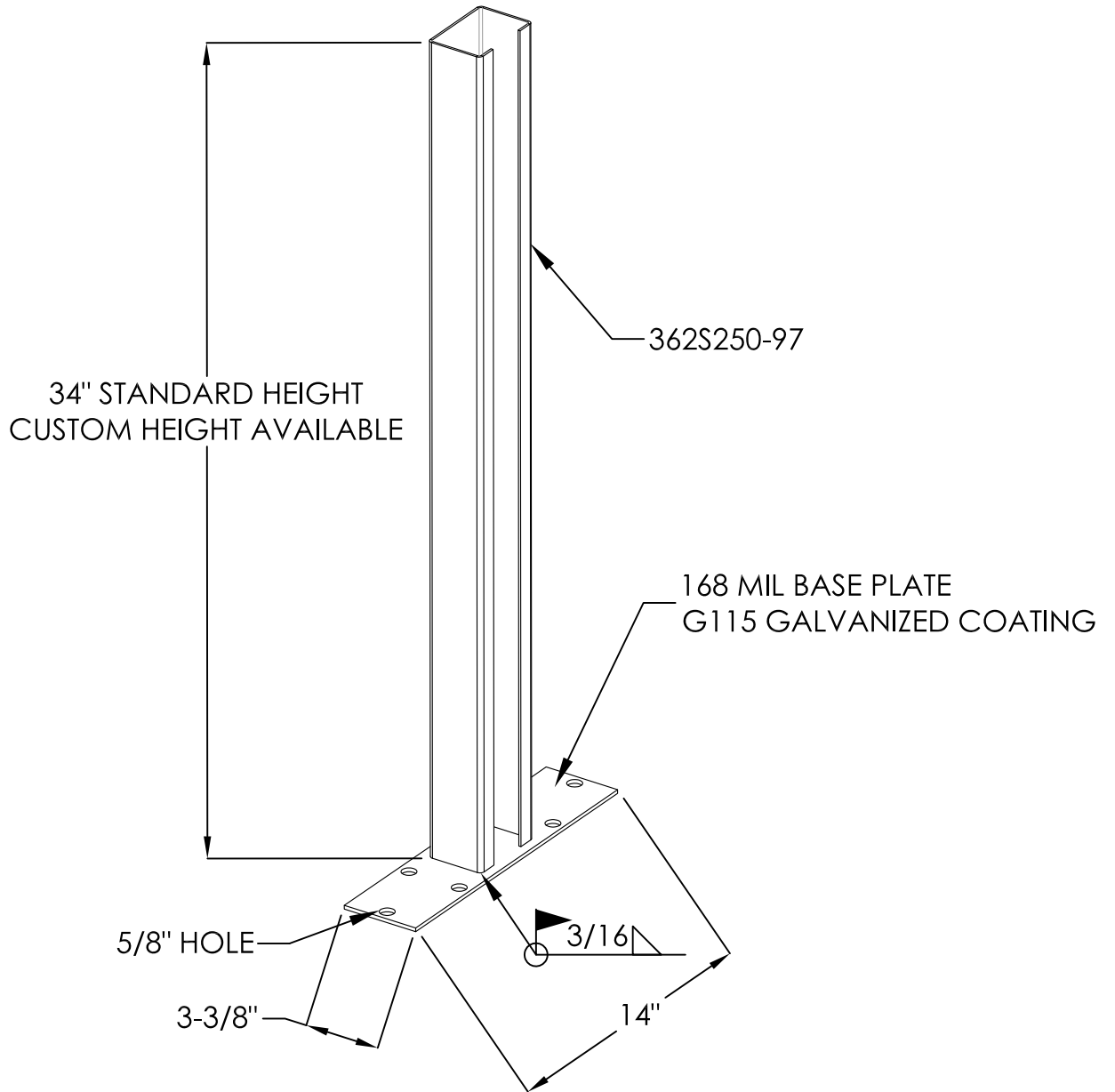
NTS



FLR-1
XX

Typical Floor Framing

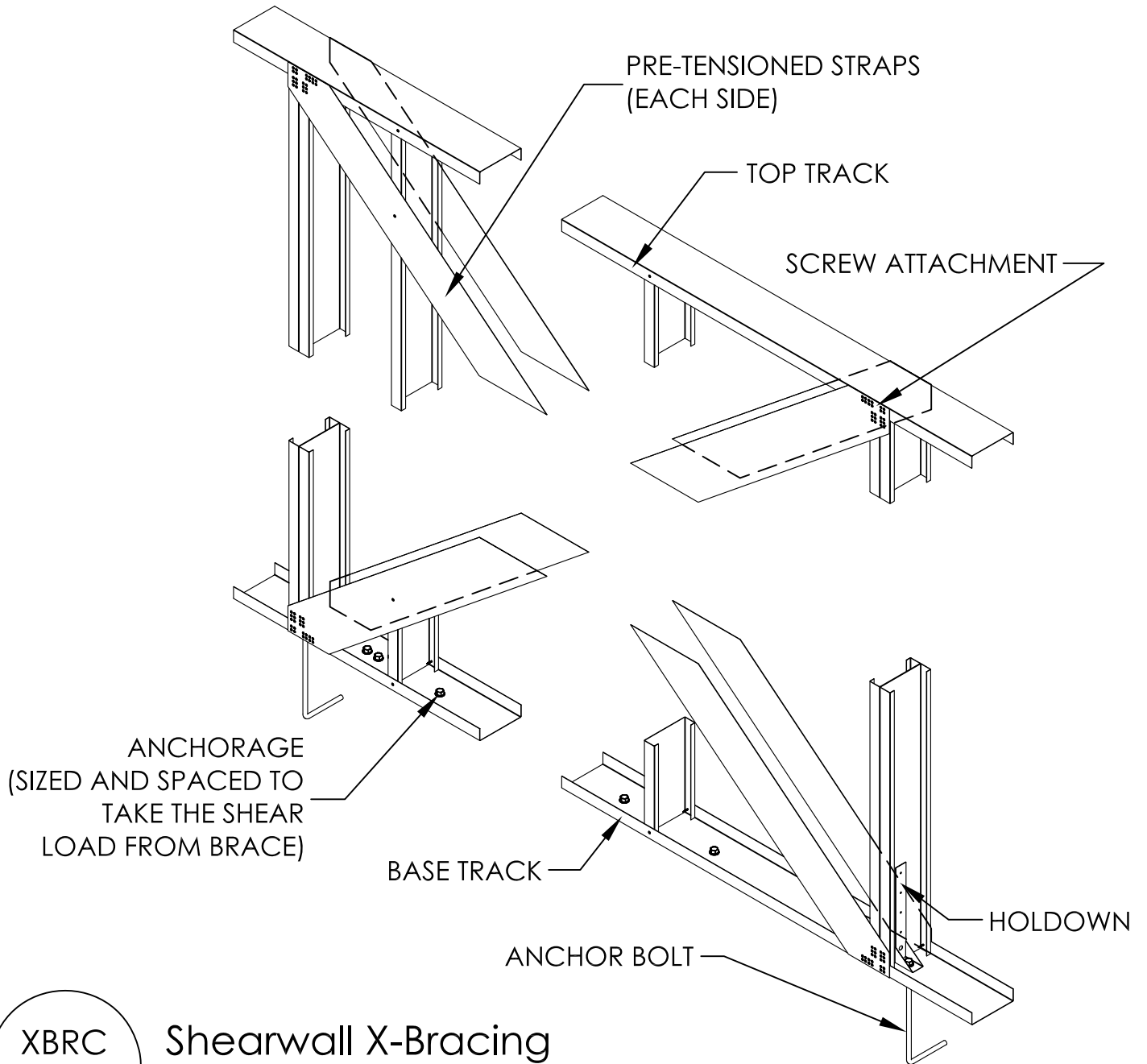
NTS



PONY
XX

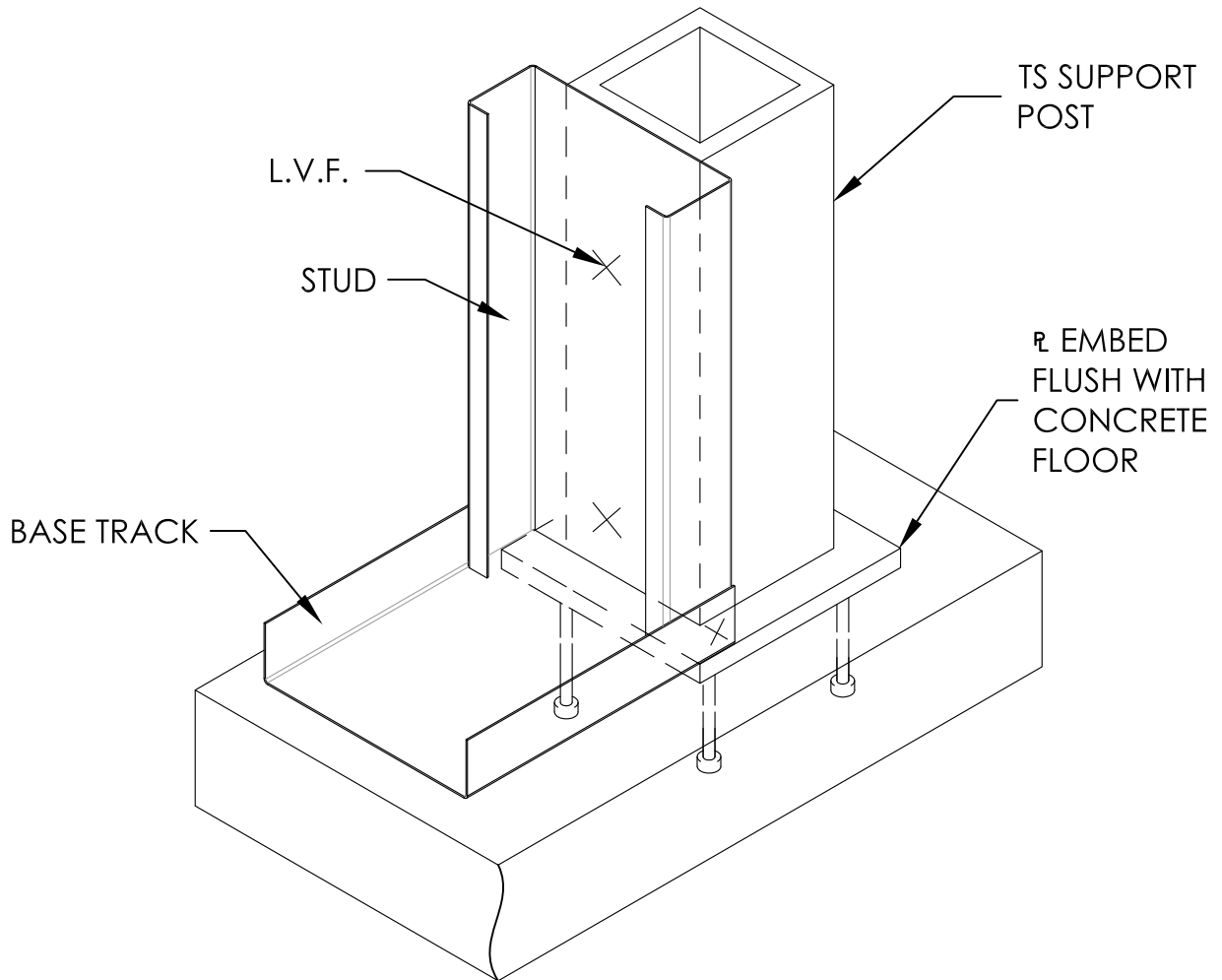
Ponywall Standard Height

NTS



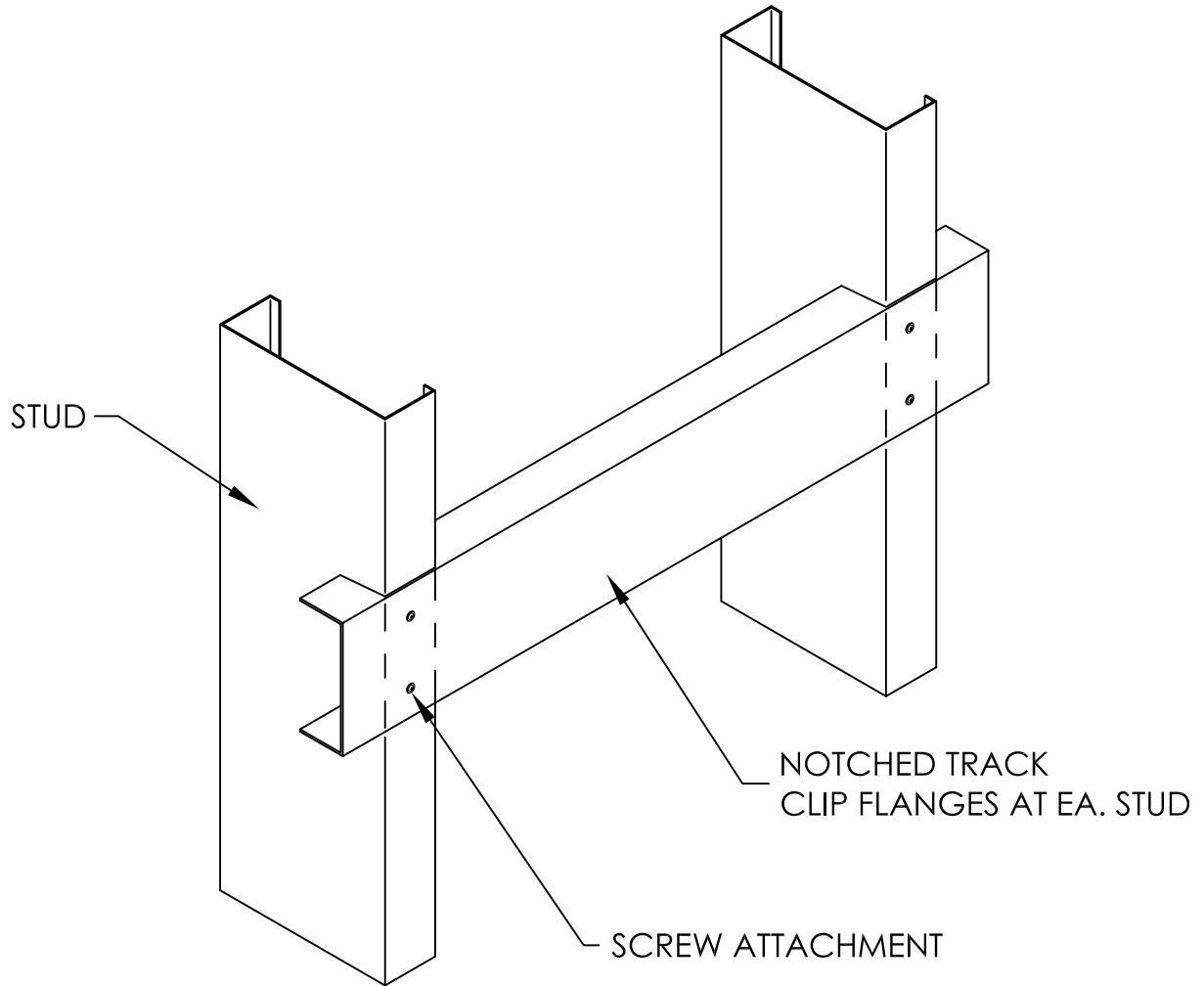
XBRC
XX

Shearwall X-Bracing
NTS



EMB-1
XX

Spandrel Framing at Pony Wall Steel Post with Embedded
NTS



TRK-BK
XX

Backing Clipped Track Heavily Loaded

NTS



Specialty Framing Details

Manufacturing Products for the Agriculture and Construction Industries Since 1954

Locations In: Washington • Idaho • Oregon • Montana • California • Alaska • Alberta





Clips

Manufacturing Products for the Agriculture and Construction Industries Since 1954

Locations In: Washington • Idaho • Oregon • Montana • California • Alaska • Alberta



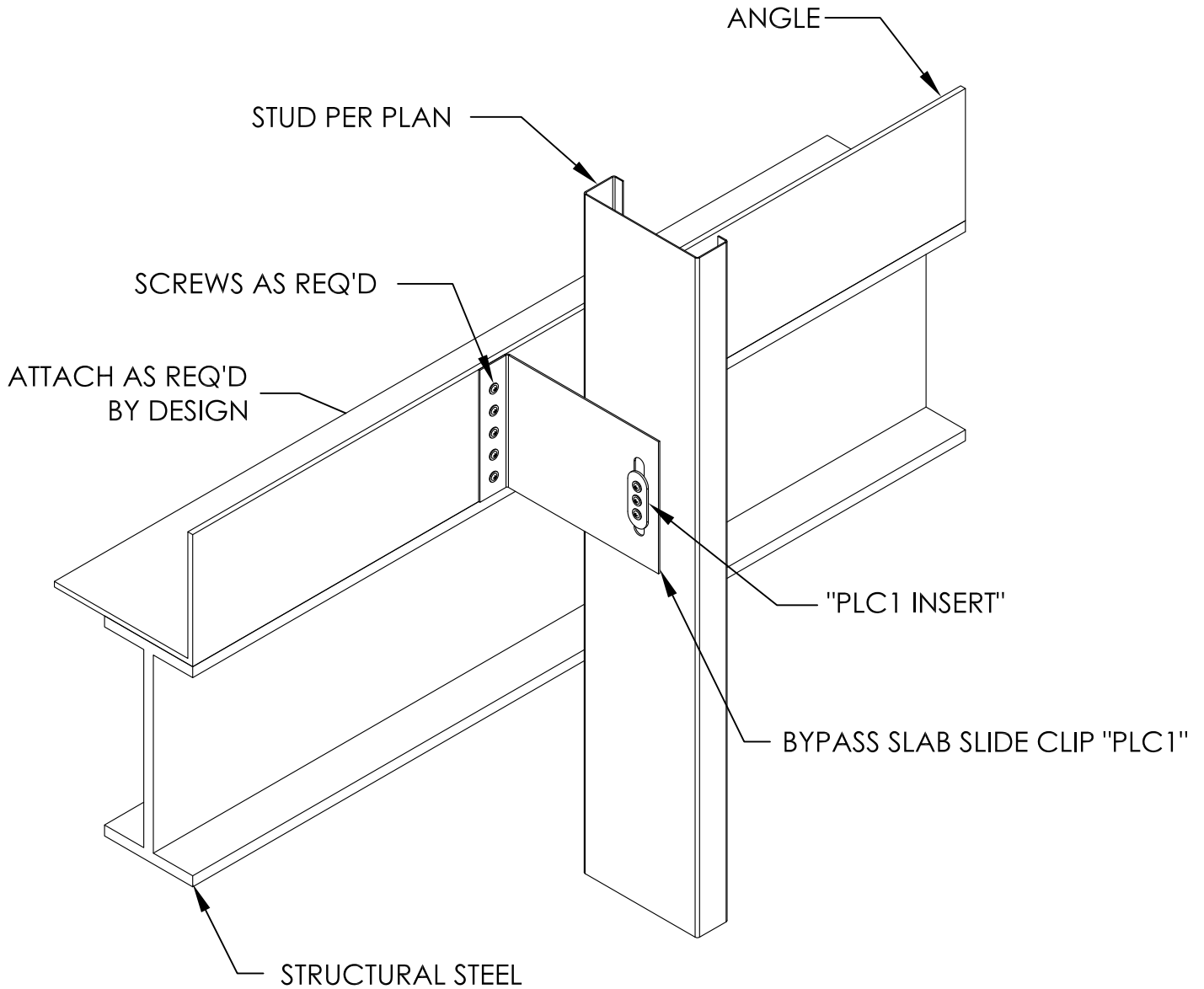


Slide Clips and Struts

Manufacturing Products for the Agriculture and Construction Industries Since 1954

Locations In: Washington • Idaho • Oregon • Montana • California • Alaska • Alberta

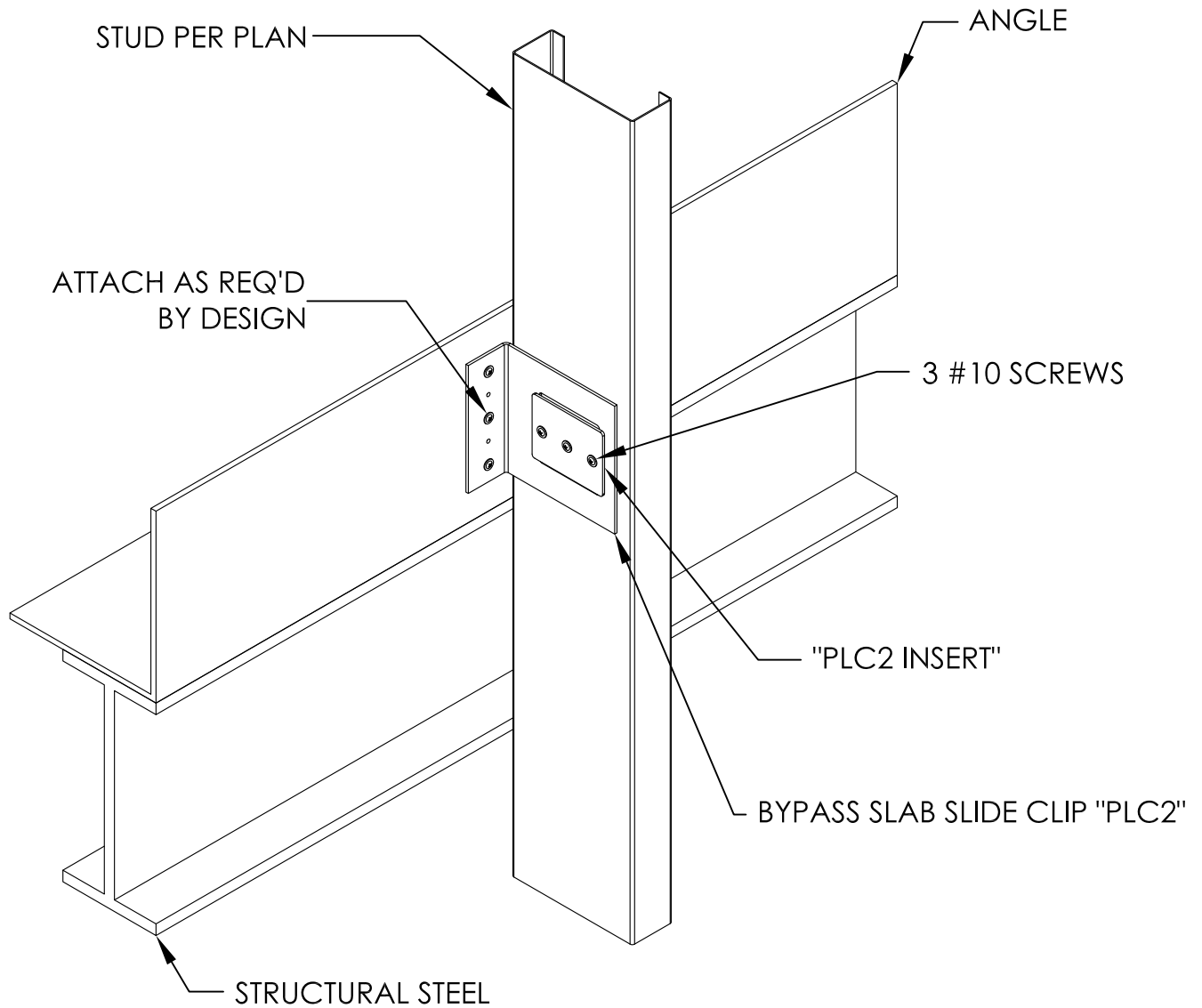




PLC1-1
XX

Bypass Slab Slide Clip Detail

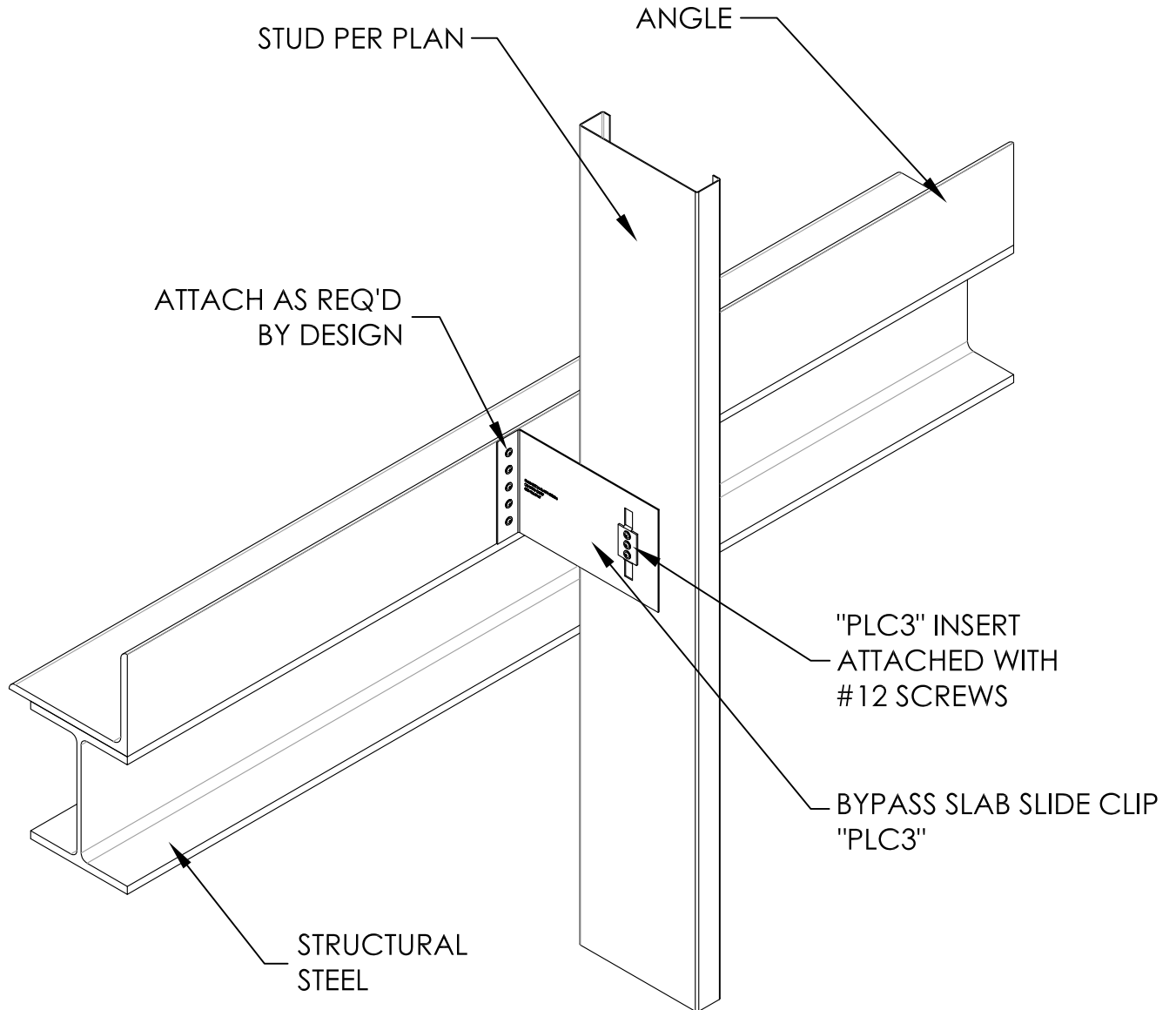
NTS



PLC2-1
XX

Bypass Slab Slide Clip Detail

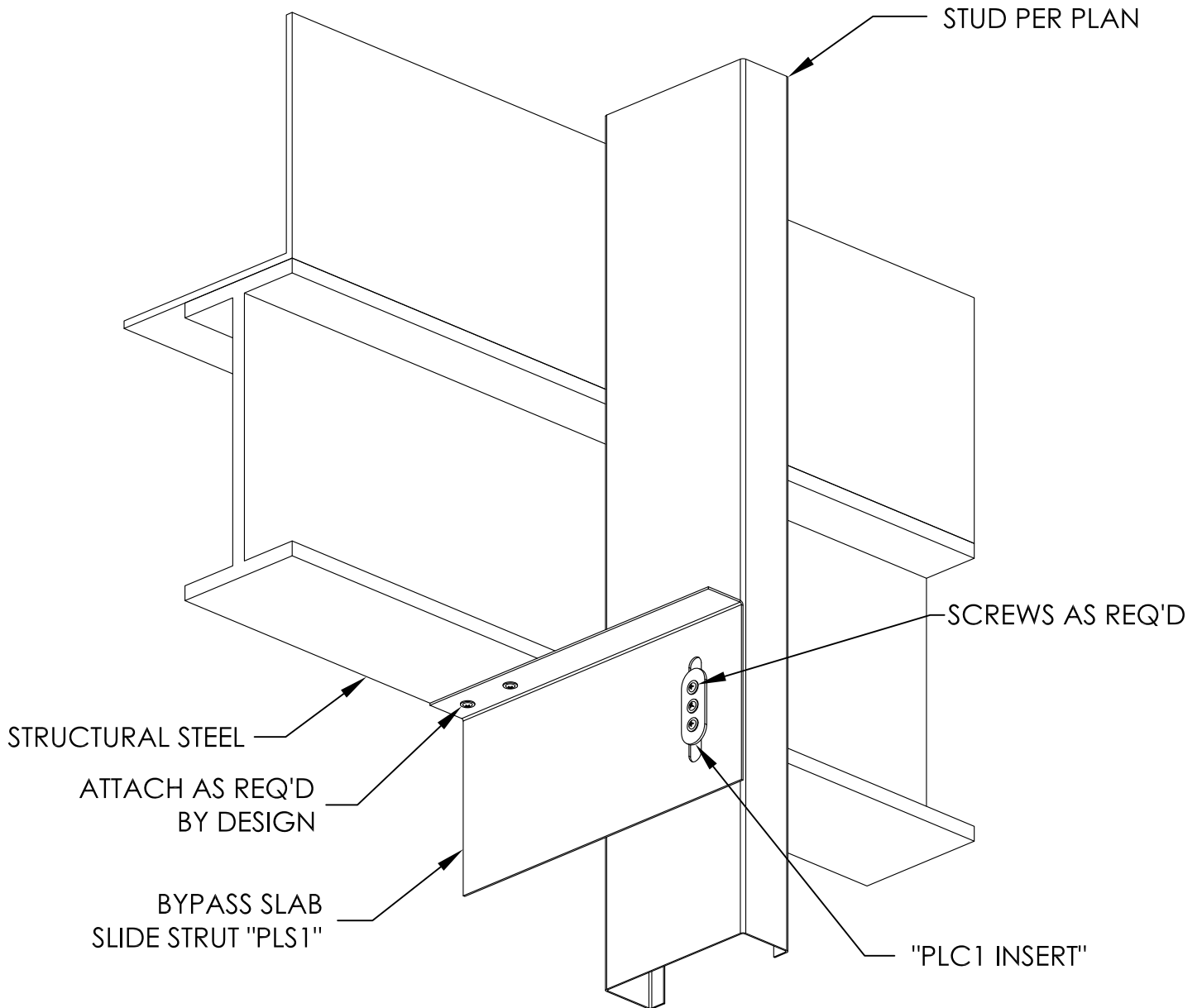
NTS



PLC3-1
XX

Bypass Slab Slide Clip Detail

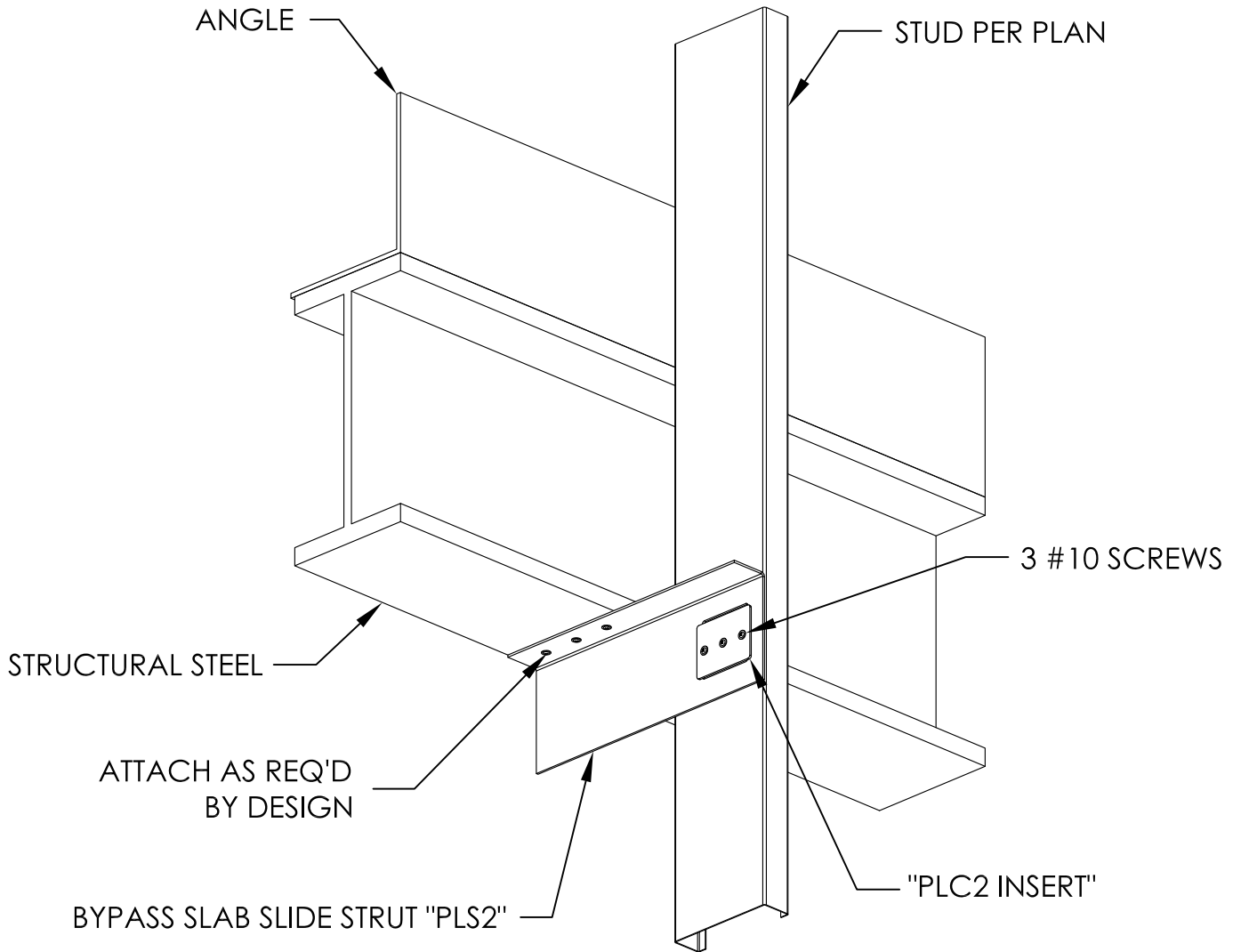
NTS



PLS1-1
XX

Bypass Slab Slide Strut Detail

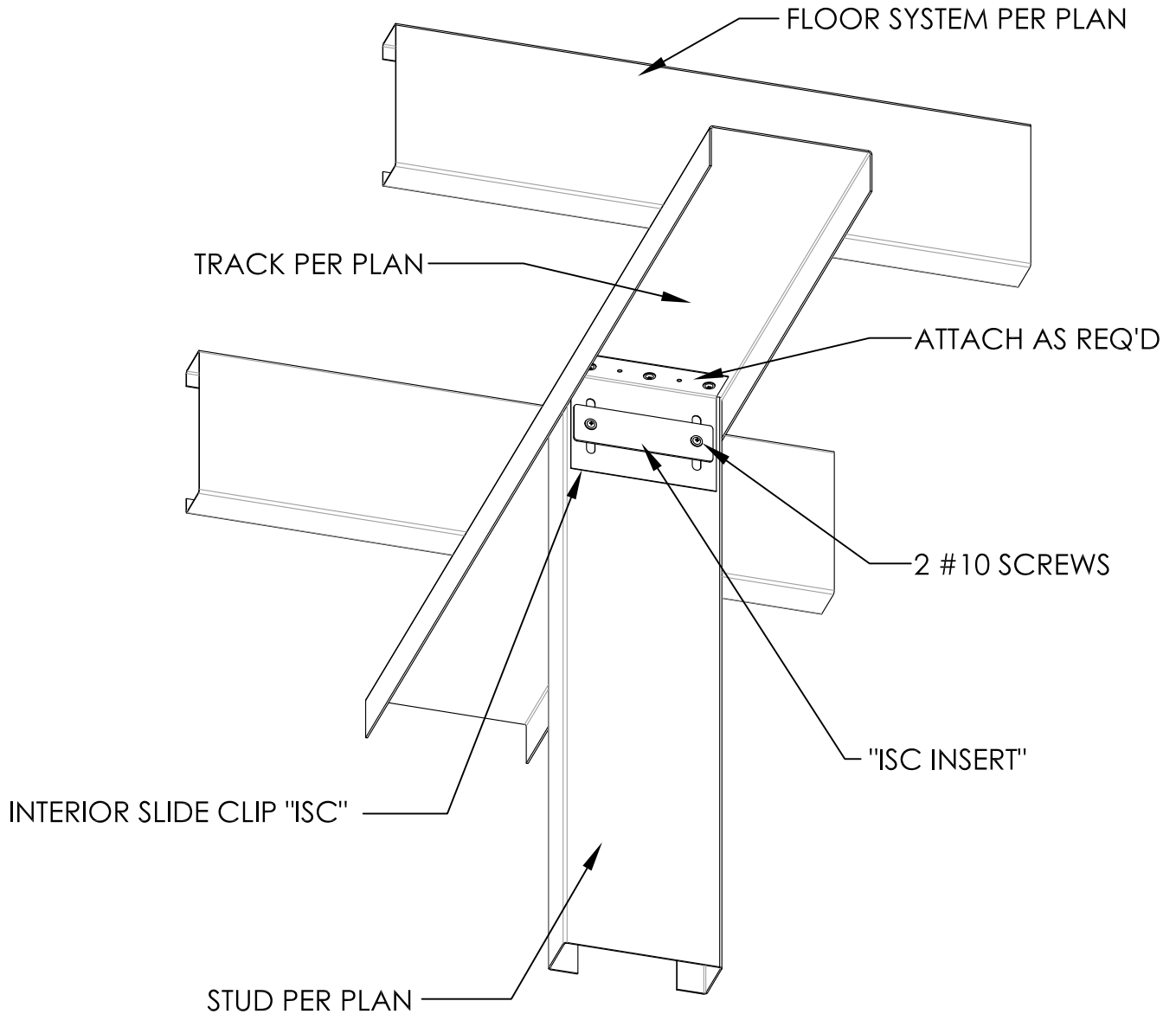
NTS



PLS2-1
XX

Bypass Slab Slide Strut Detail

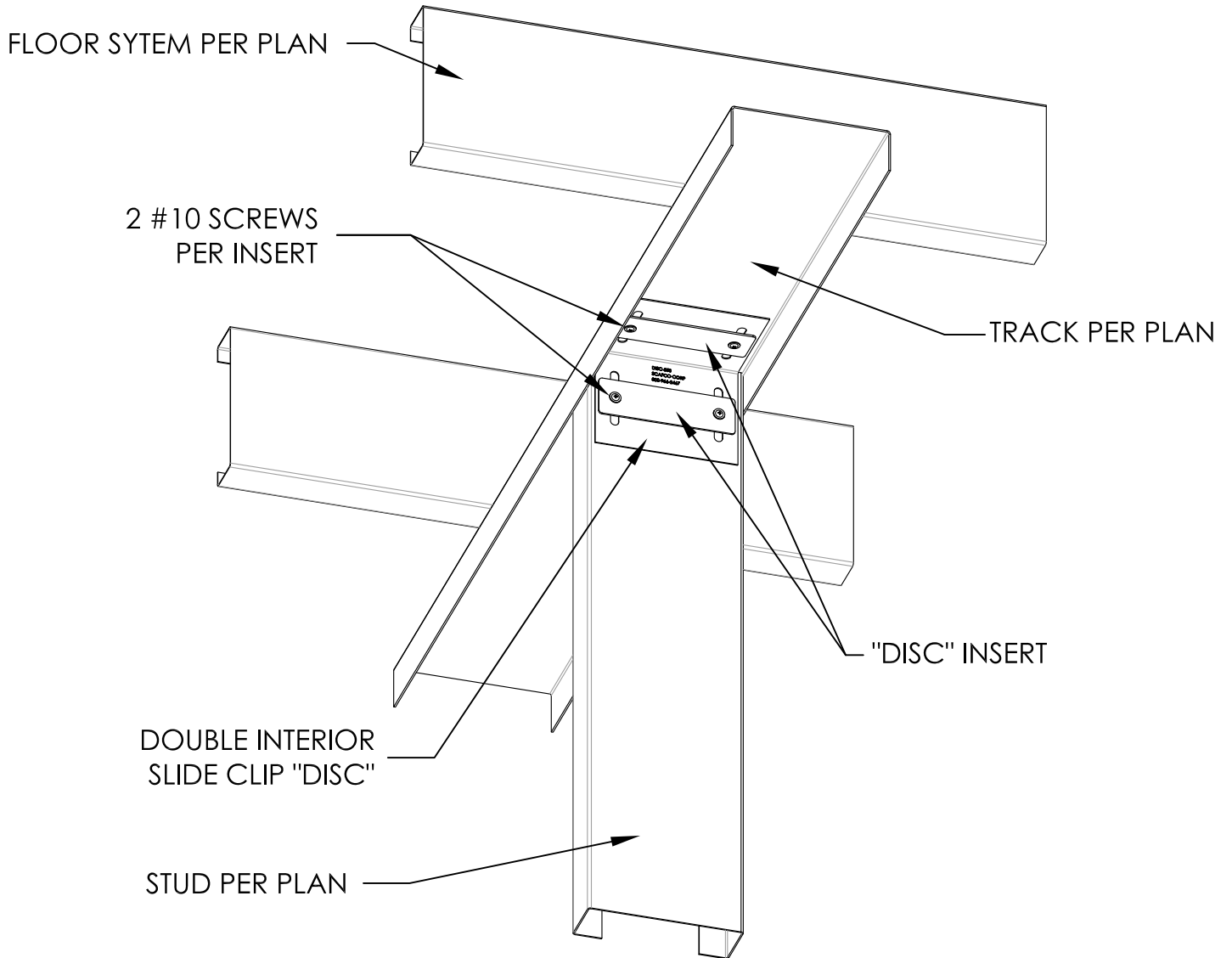
NTS



ISC-1
XX

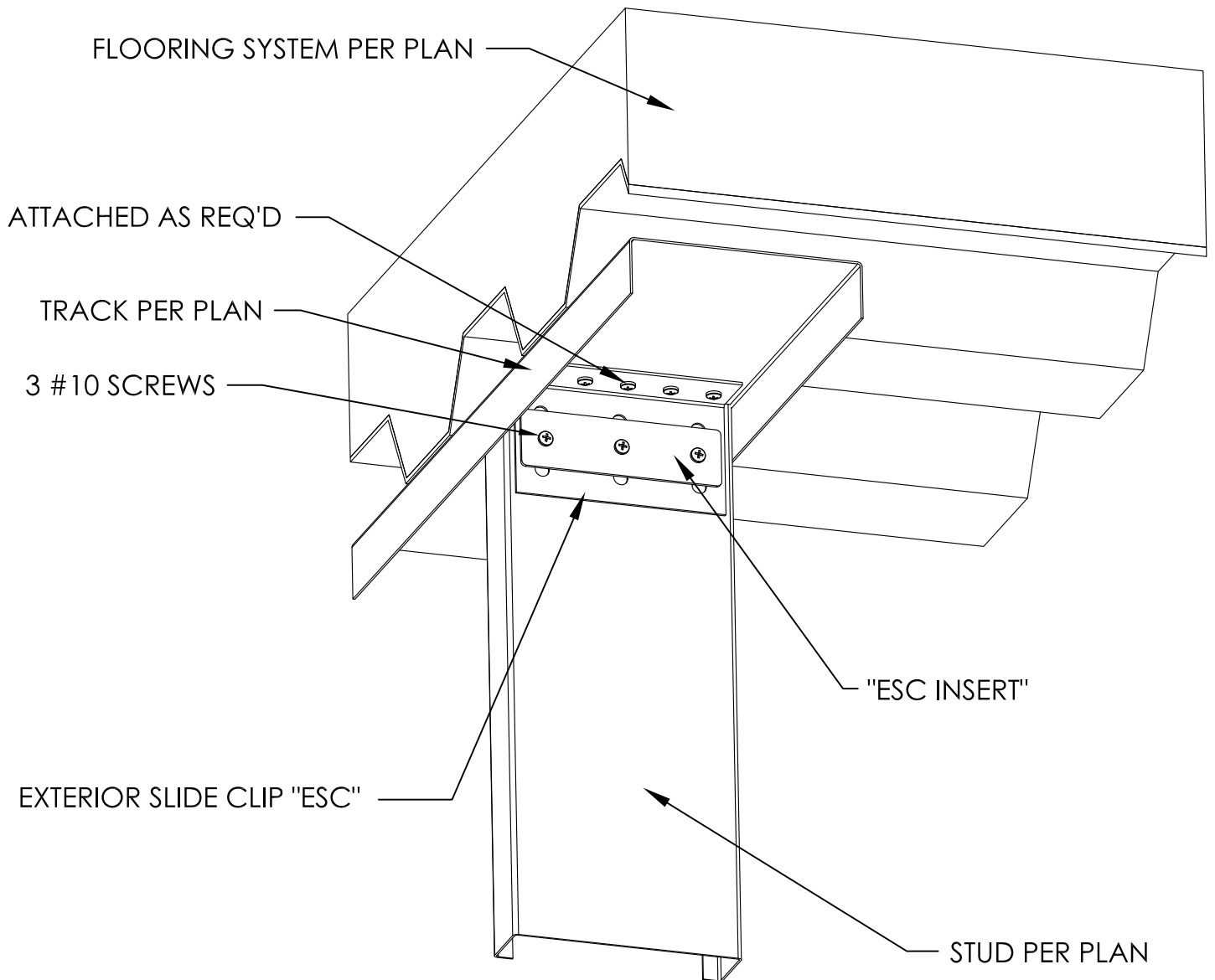
ISC Head of Wall Detail

NTS



DISC-1
XX

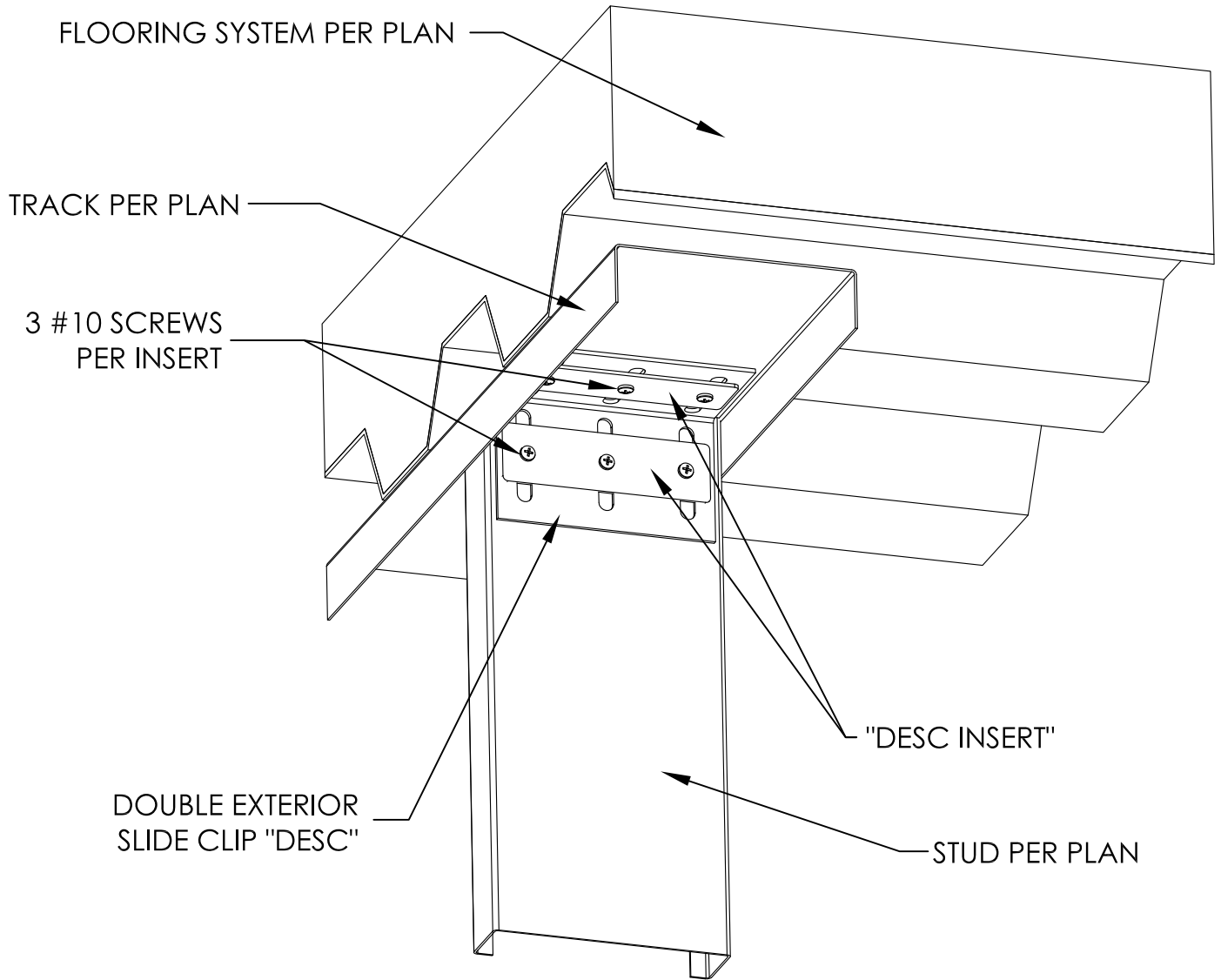
Disc Head of Wall Detail
NTS



ESC-1
XX

Exterior Slide Clip Detail

NTS



DESC-1
XX

Drift Exterior Slide Clip Detail

NTS

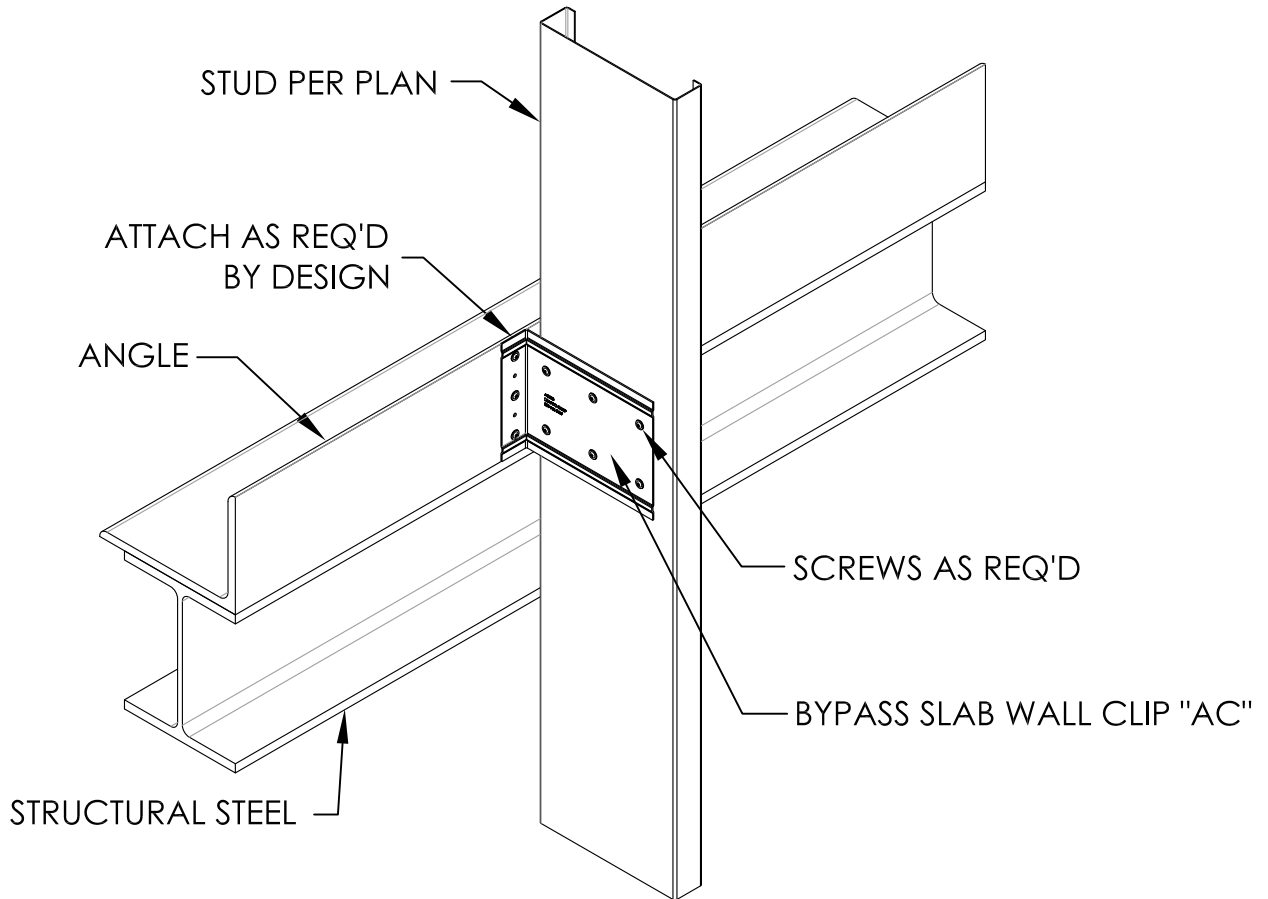


Secure Clips and Struts

Manufacturing Products for the Agriculture and Construction Industries Since 1954

Locations In: Washington • Idaho • Oregon • Montana • California • Alaska • Alberta

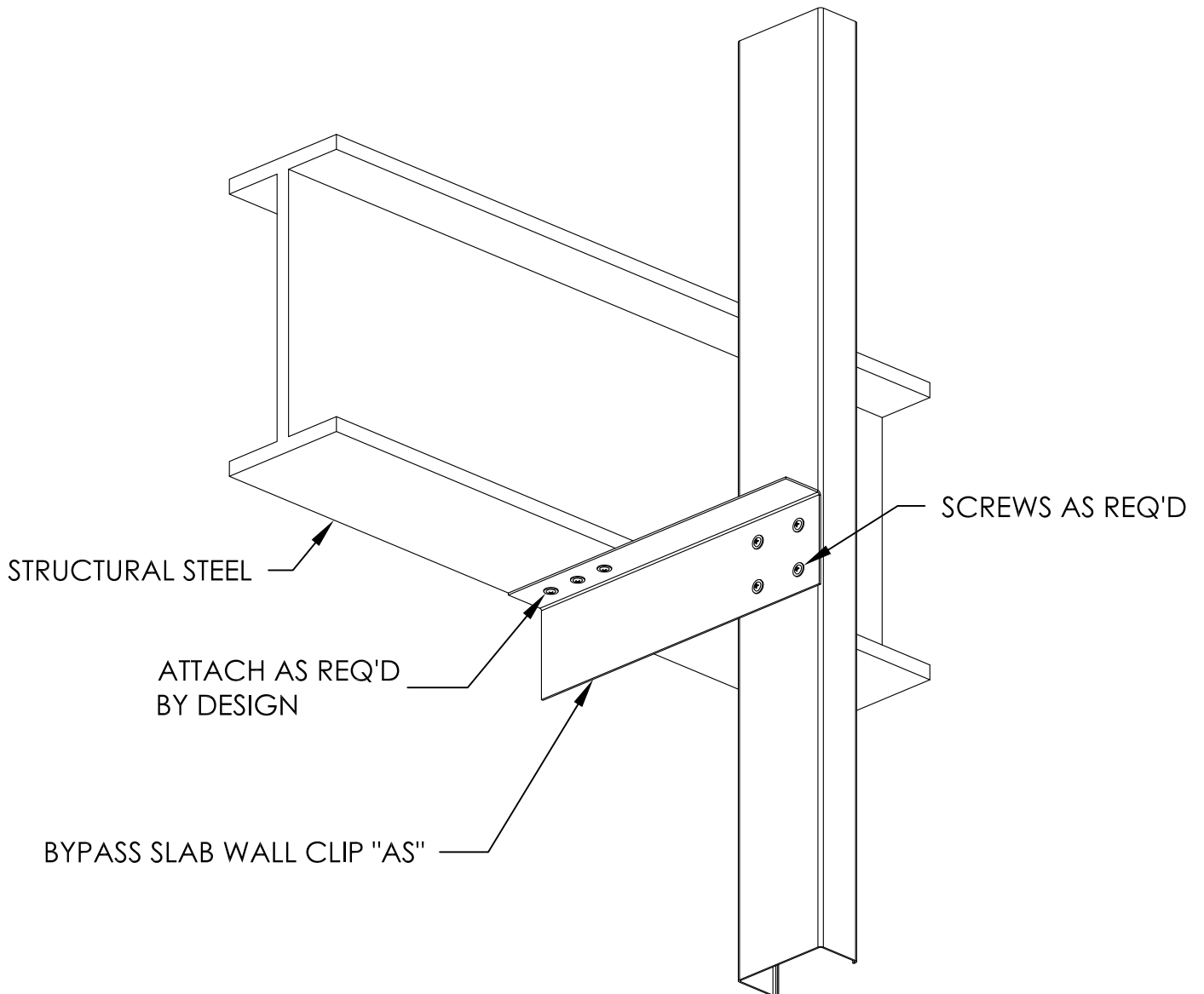




AC-1
XX

Bypass Slab Wall Clip Detail

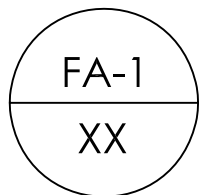
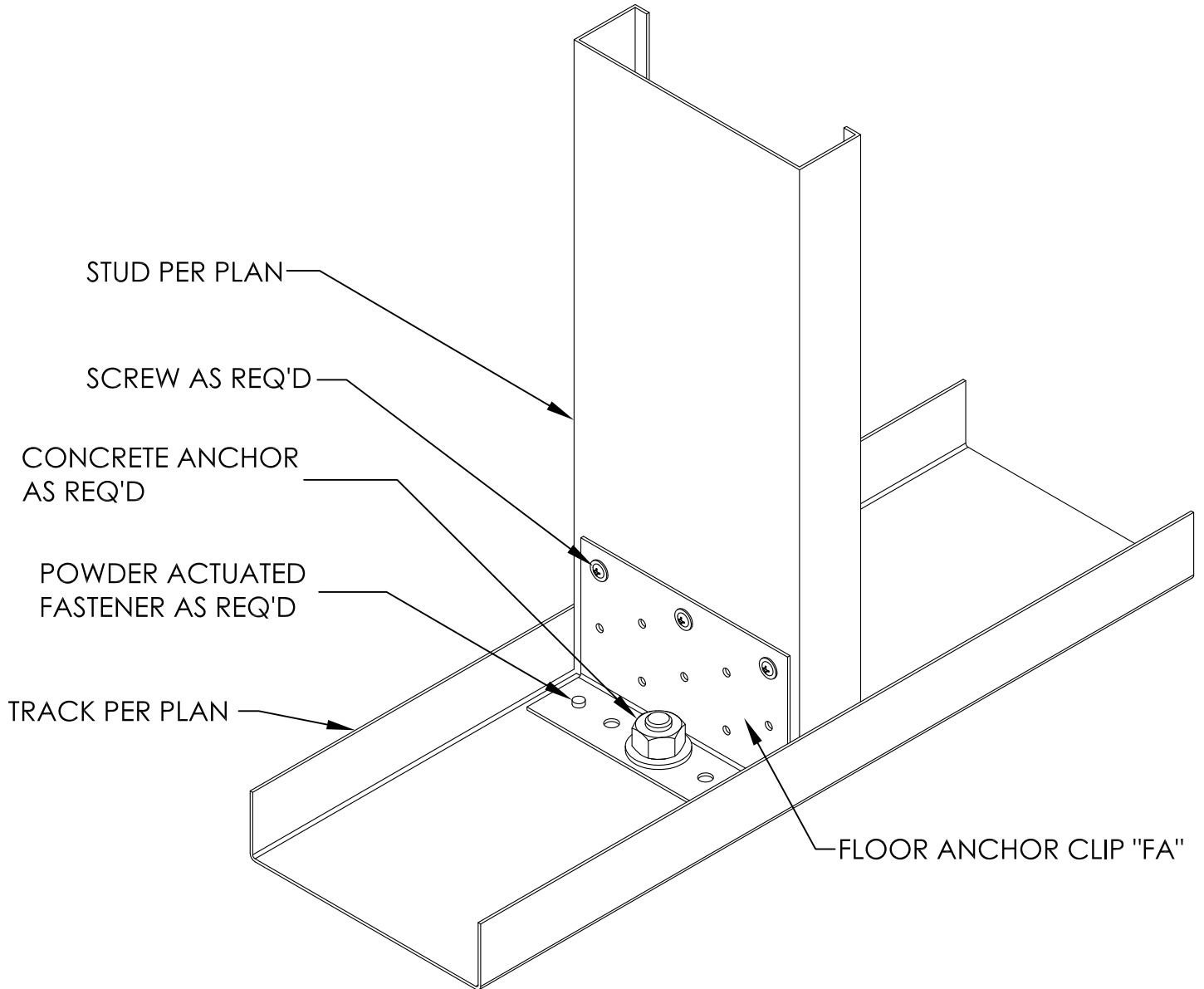
NTS



AS-1
XX

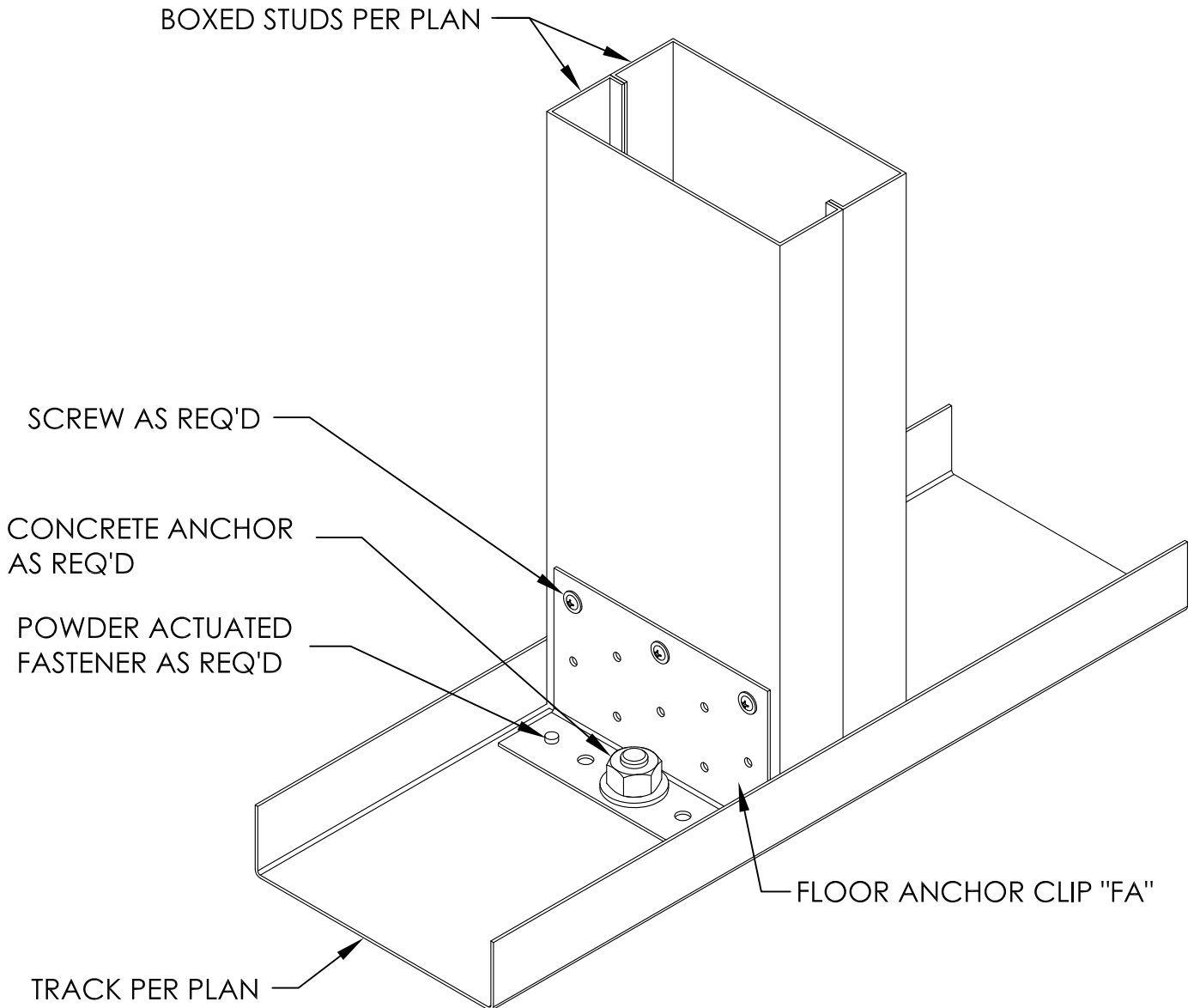
Bypass Slab Wall Strut Detail

NTS



Stud to Floor Anchoring Detail

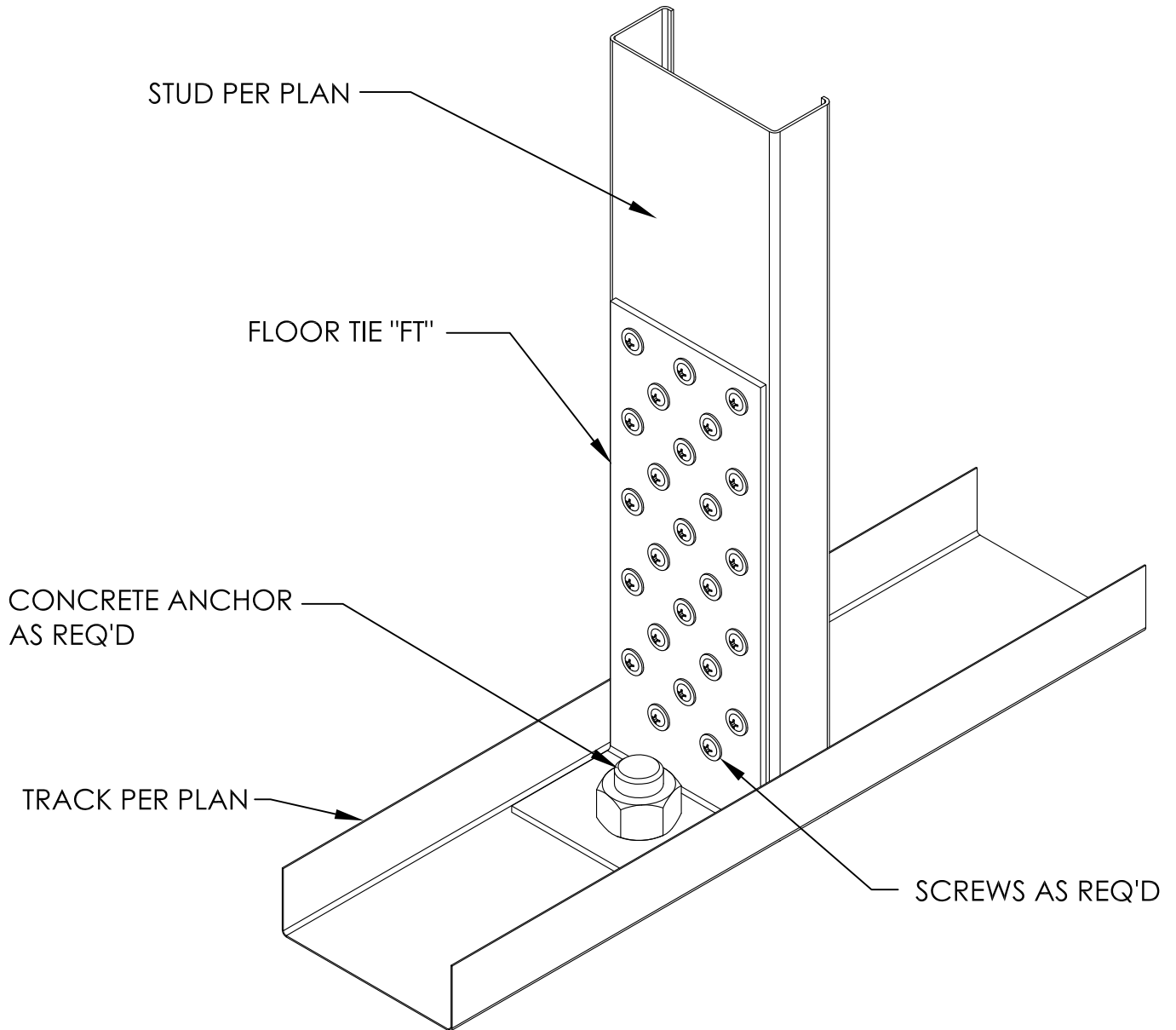
NTS



FA-2
XX

Stud to Floor Anchoring Detail

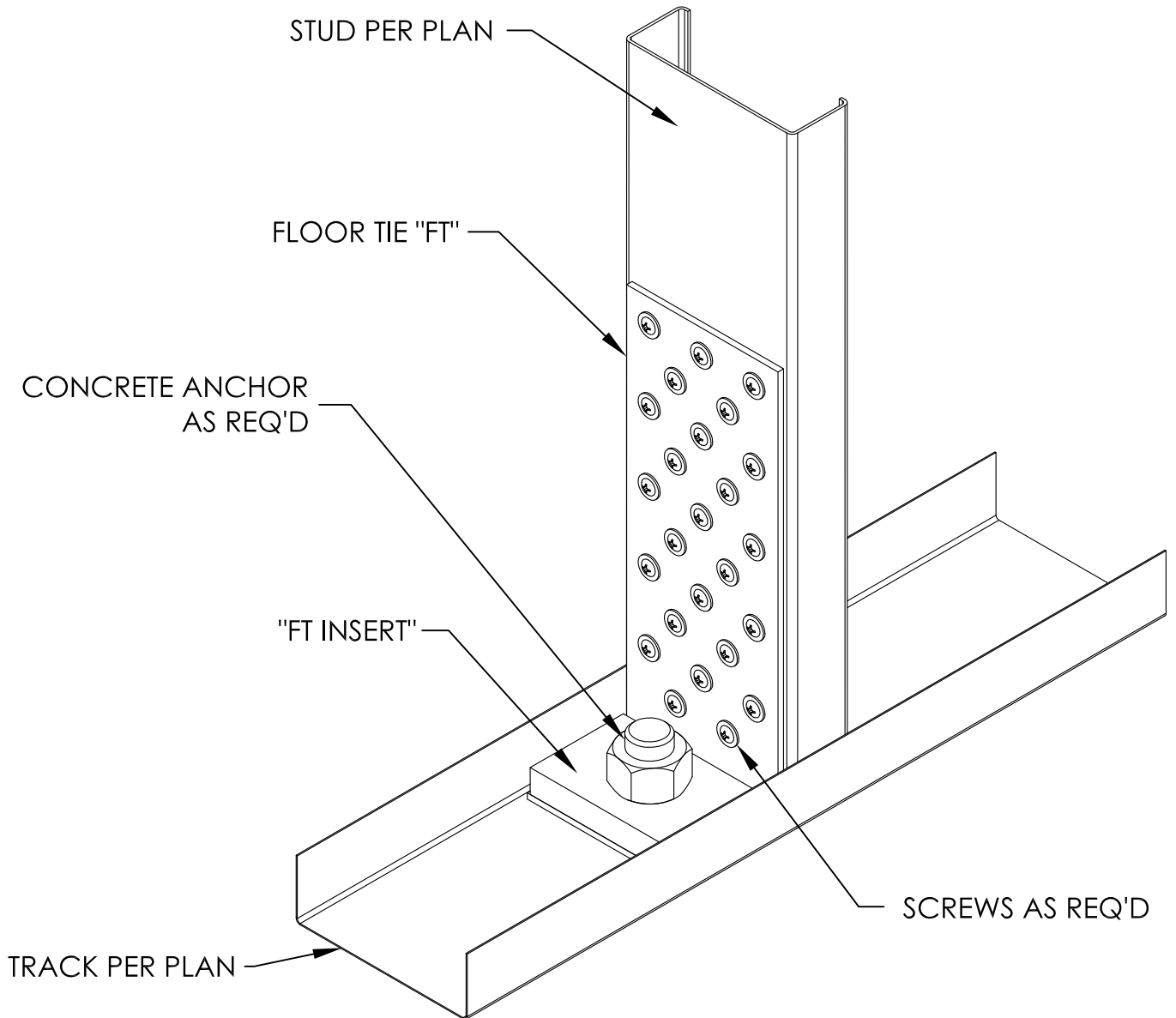
NTS



FT-1
XX

Floor Tie Anchor Detail

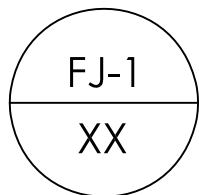
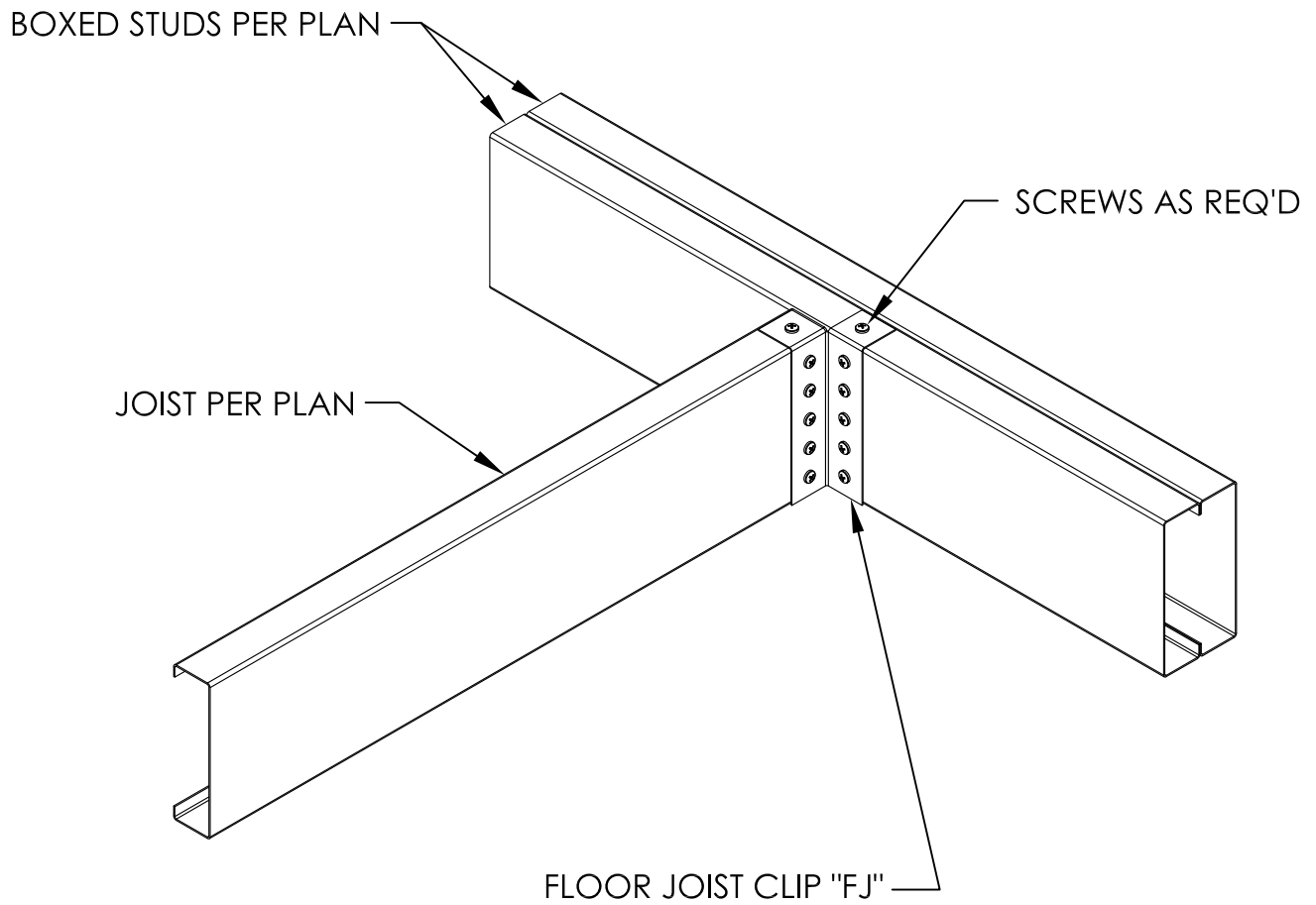
NTS



FT-2
XX

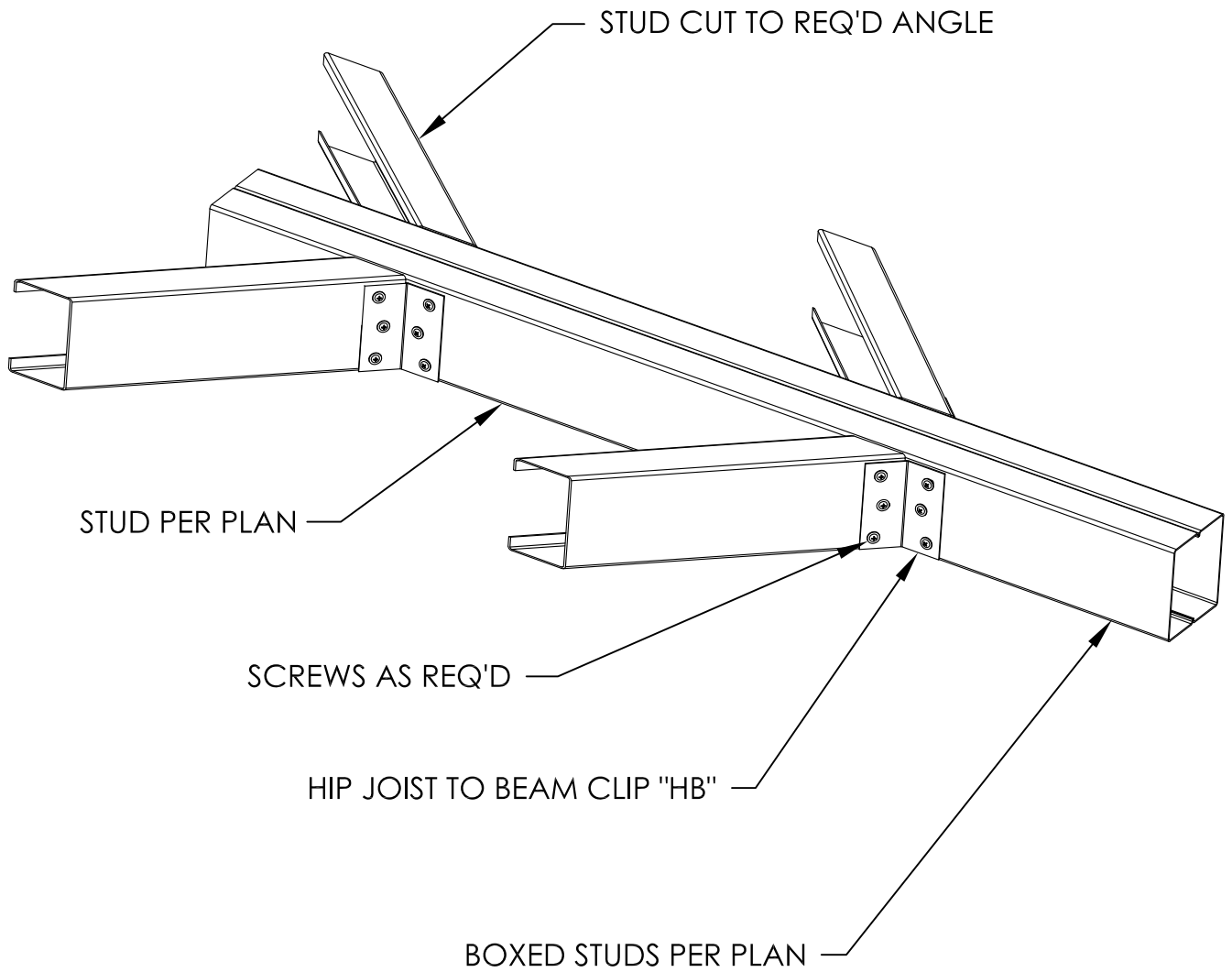
Floor Tie Anchor with Stiffening Plate Detail

NTS



Floor Joist Clip Detail

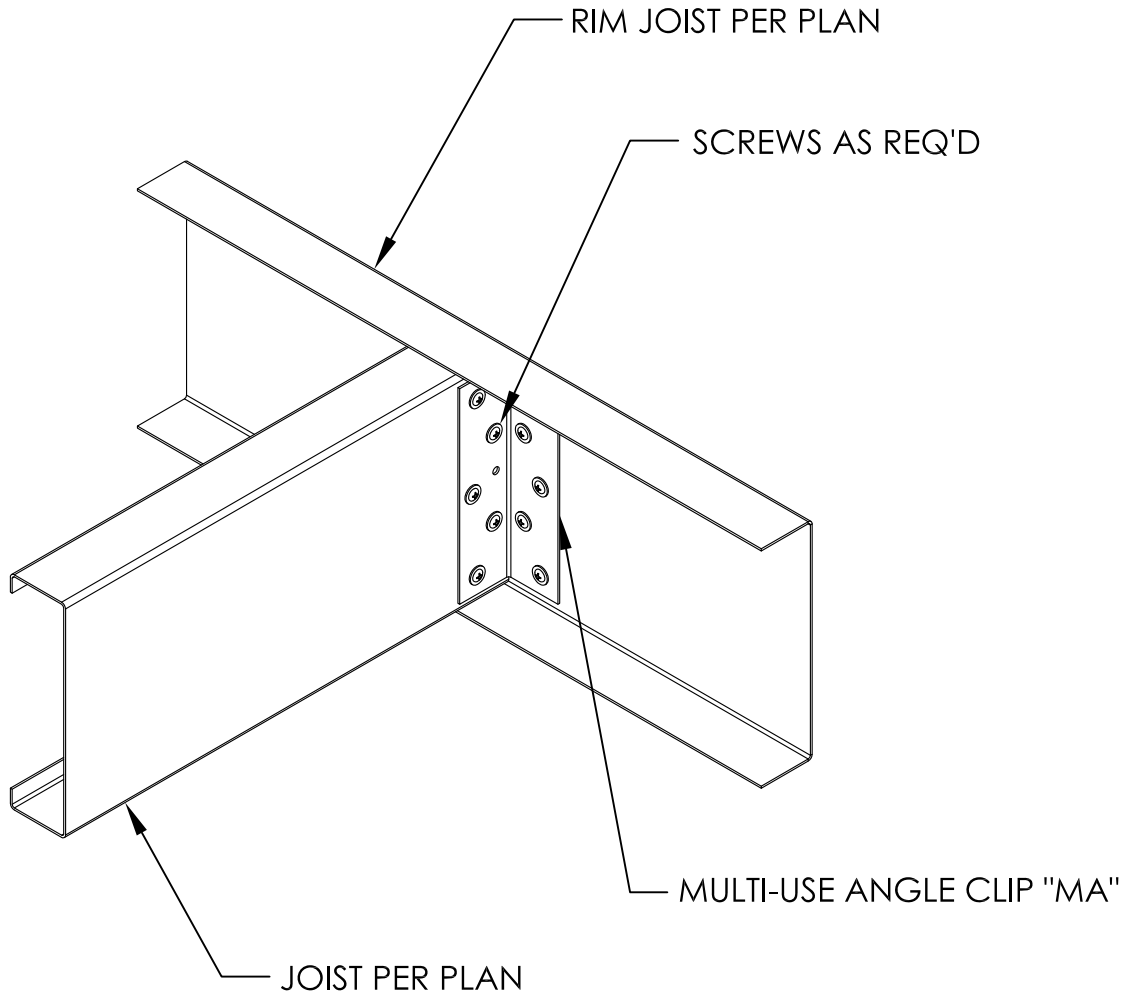
NTS



HB-1
XX

Hip Joist to Beam Detail

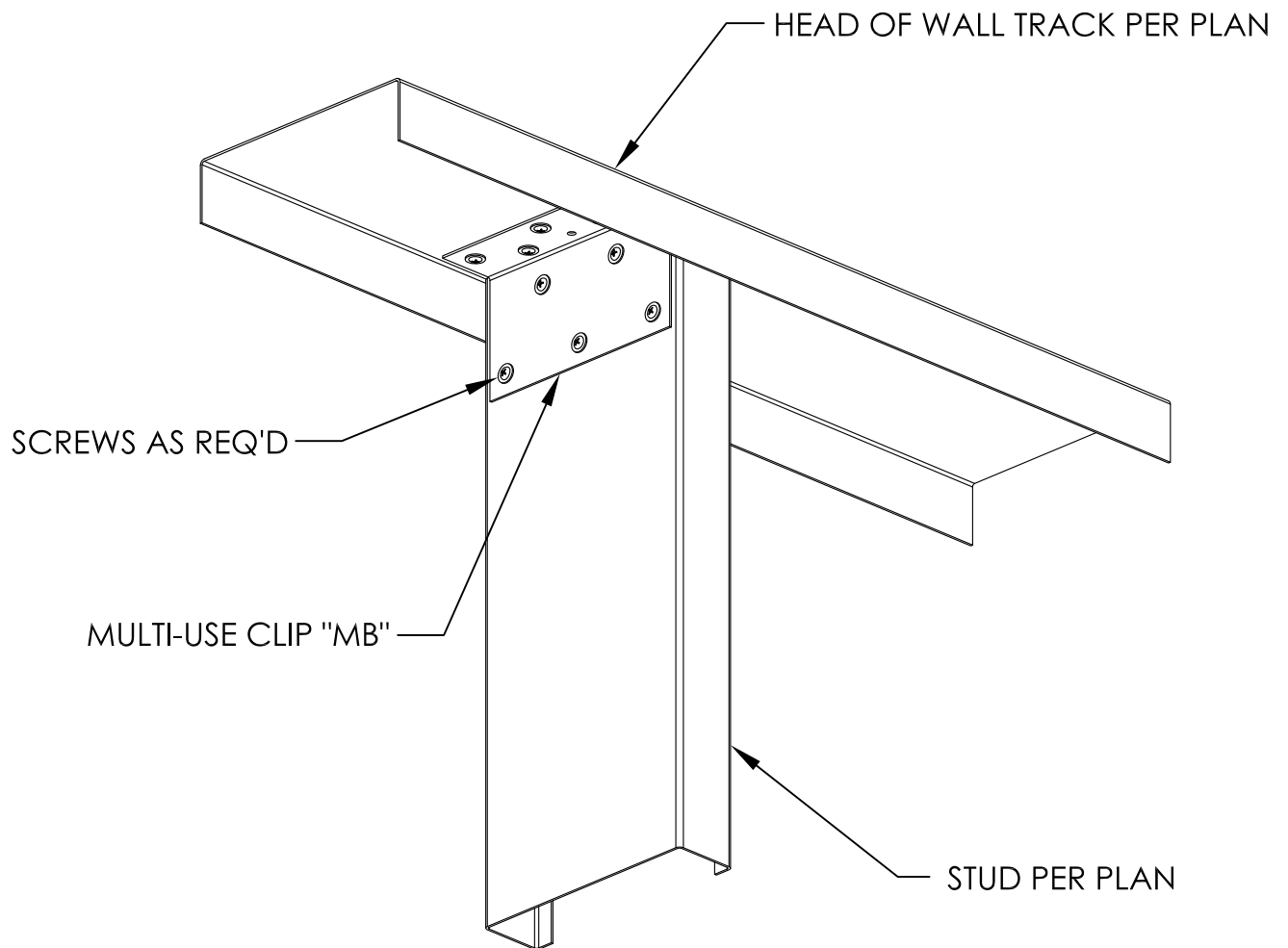
NTS



MA-2
XX

Joist to Joist Detail

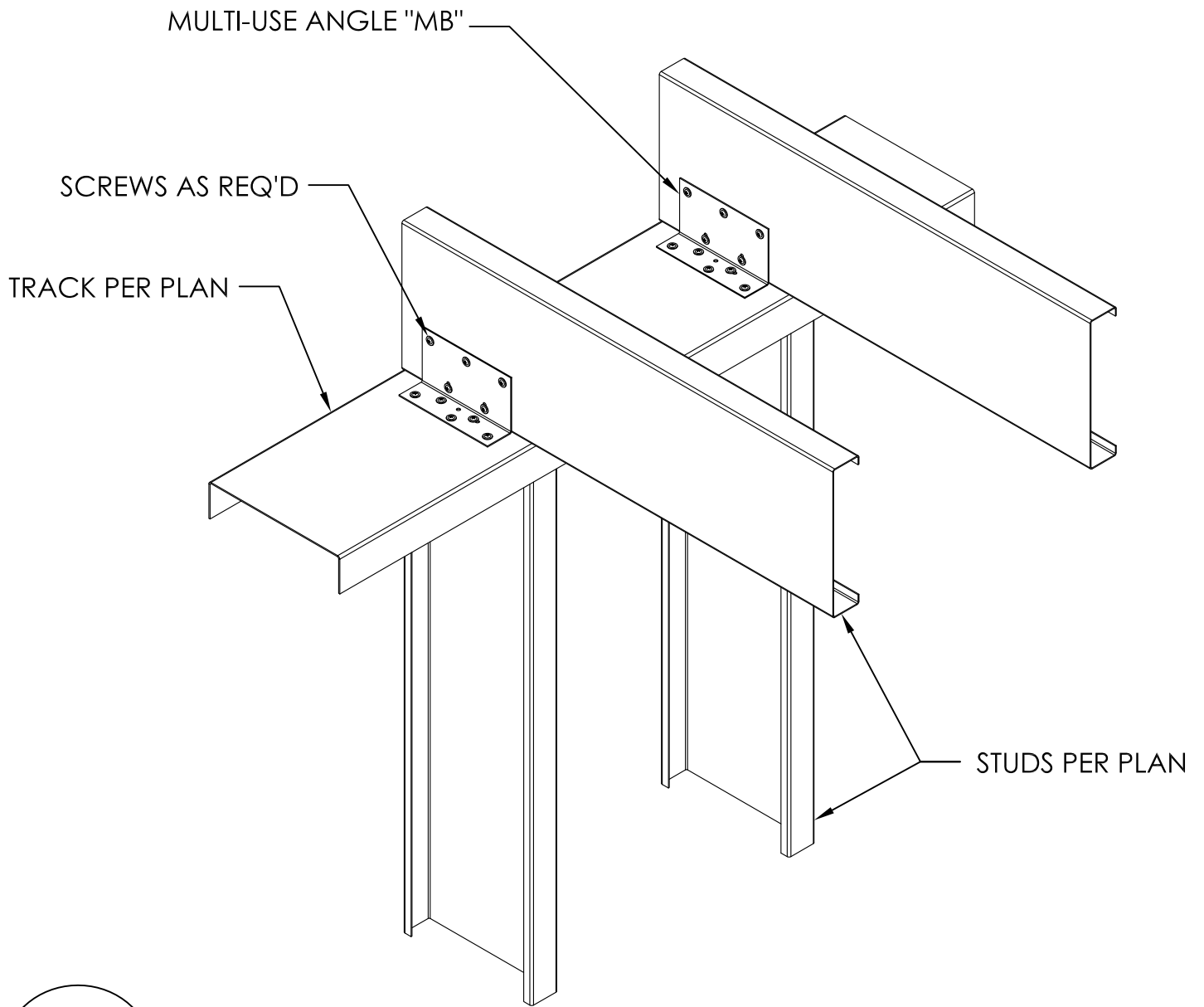
NTS



MB-1
XX

Load Bearing Stud to Head of Wall Detail

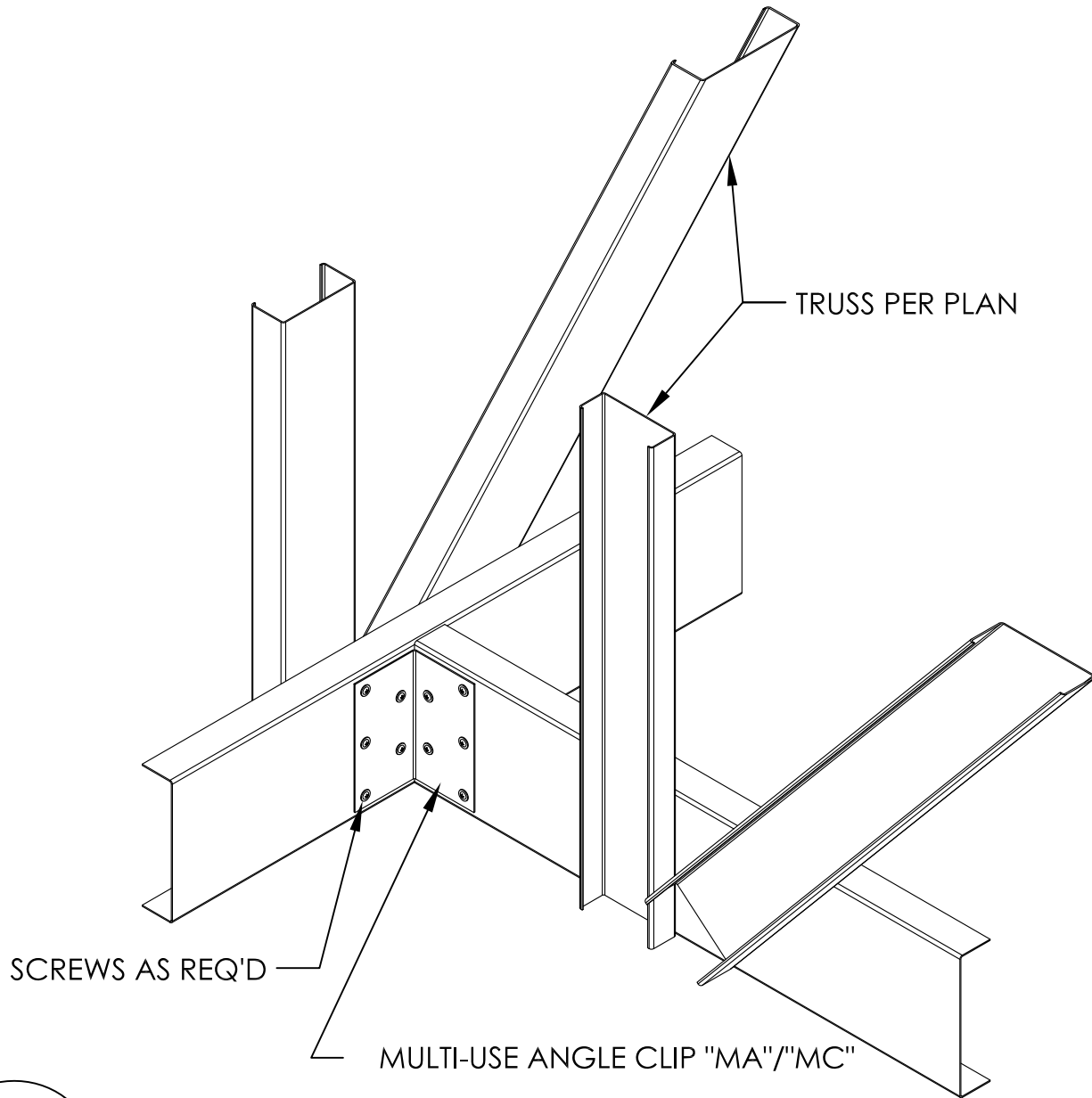
NTS



MB-2
XX

Rafter Tie Down Detail

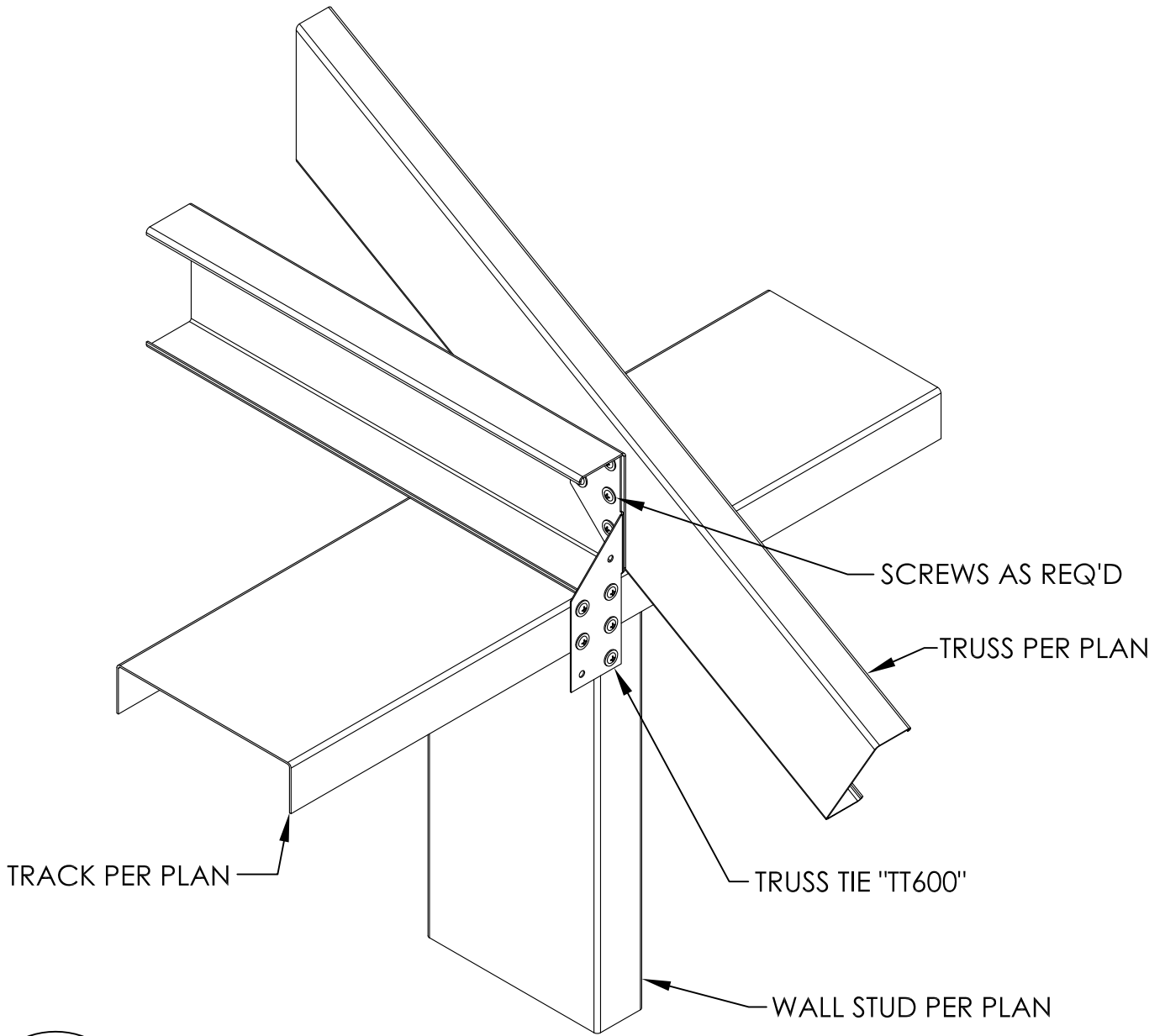
NTS



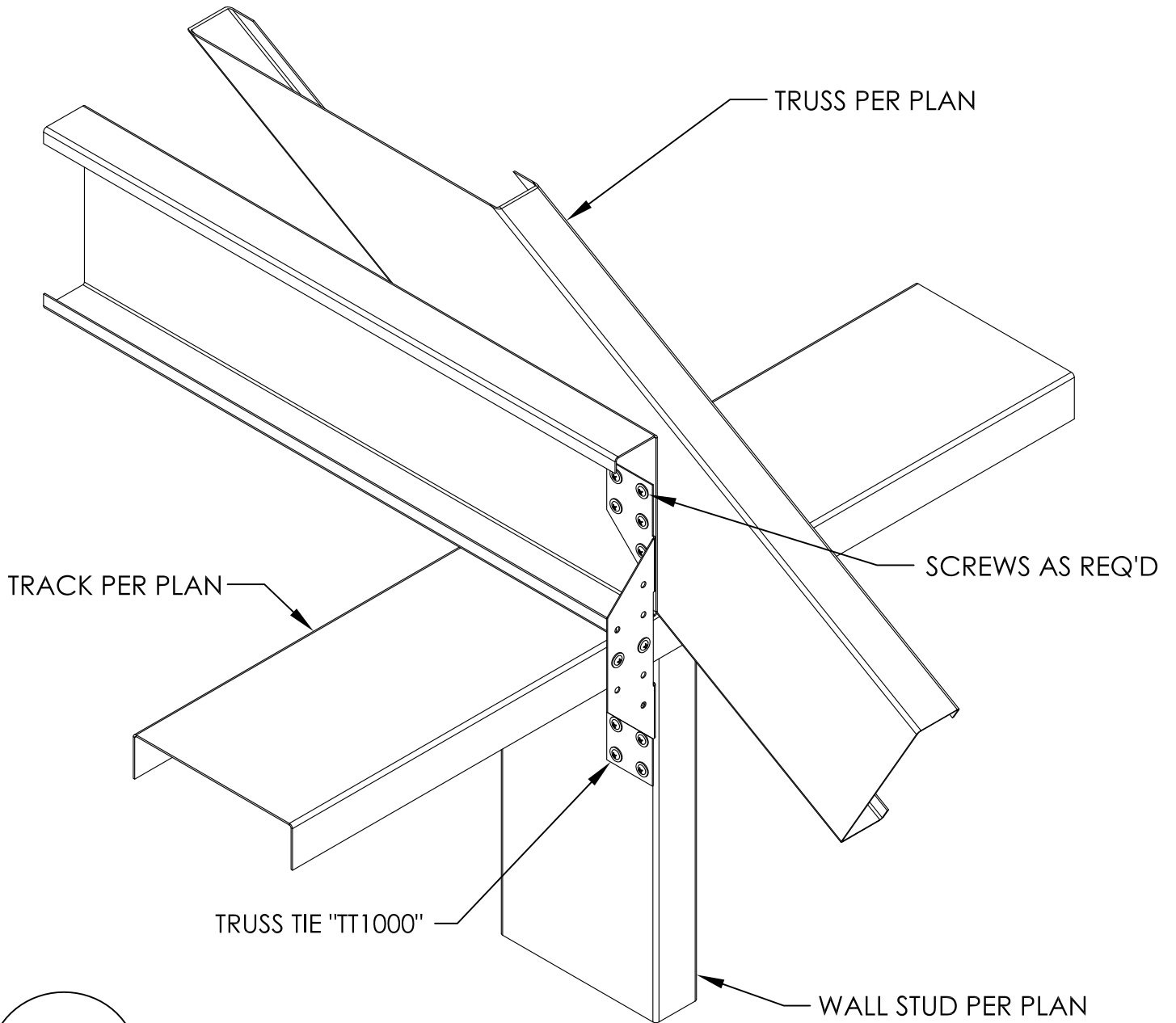
MC-3
XX

Truss to Truss Detail

NTS



TT-1 Truss Tie Detail
XX NTS



TT-2
XX

Truss to Stud Tie Detail

NTS

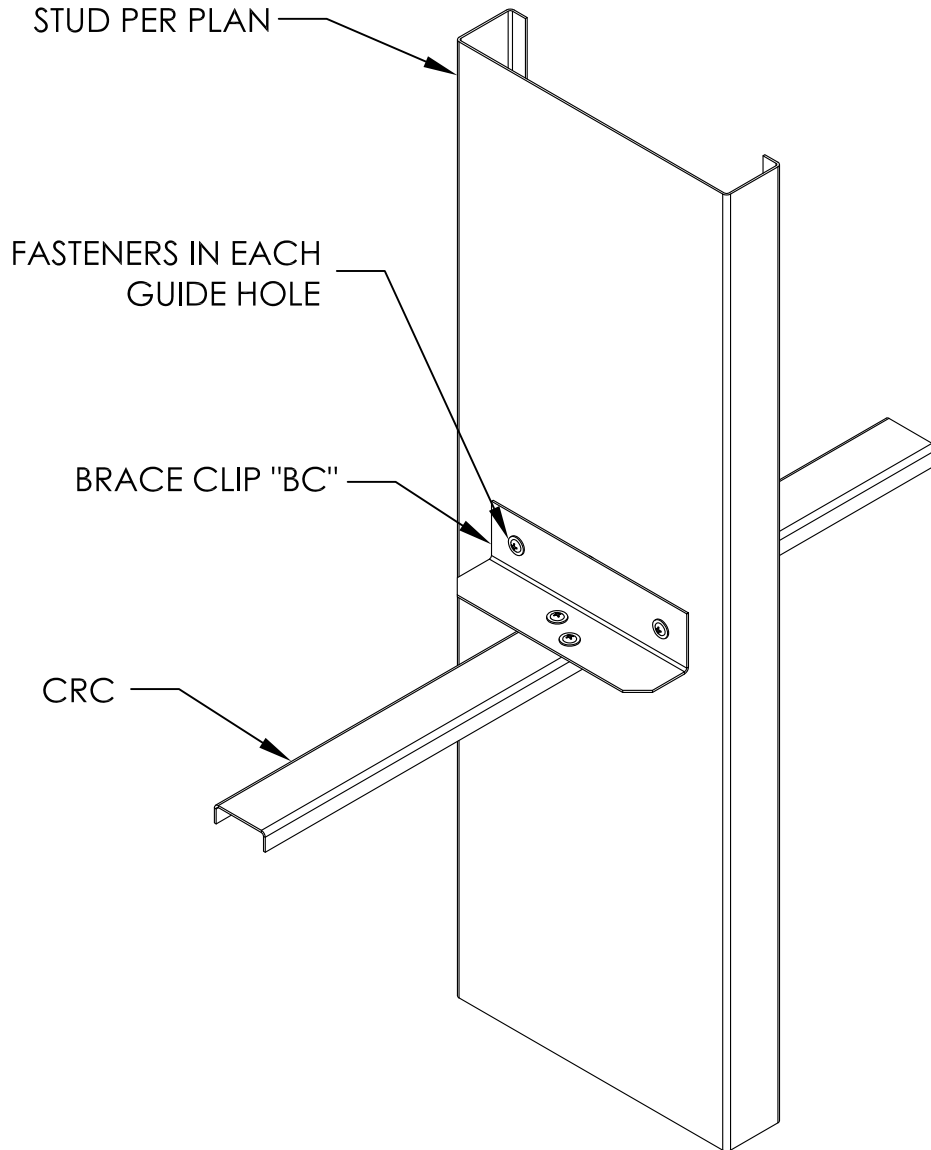


Bridging, Blocking, & Bracing Clips

Manufacturing Products for the Agriculture and Construction Industries Since 1954

Locations In: Washington • Idaho • Oregon • Montana • California • Alaska • Alberta

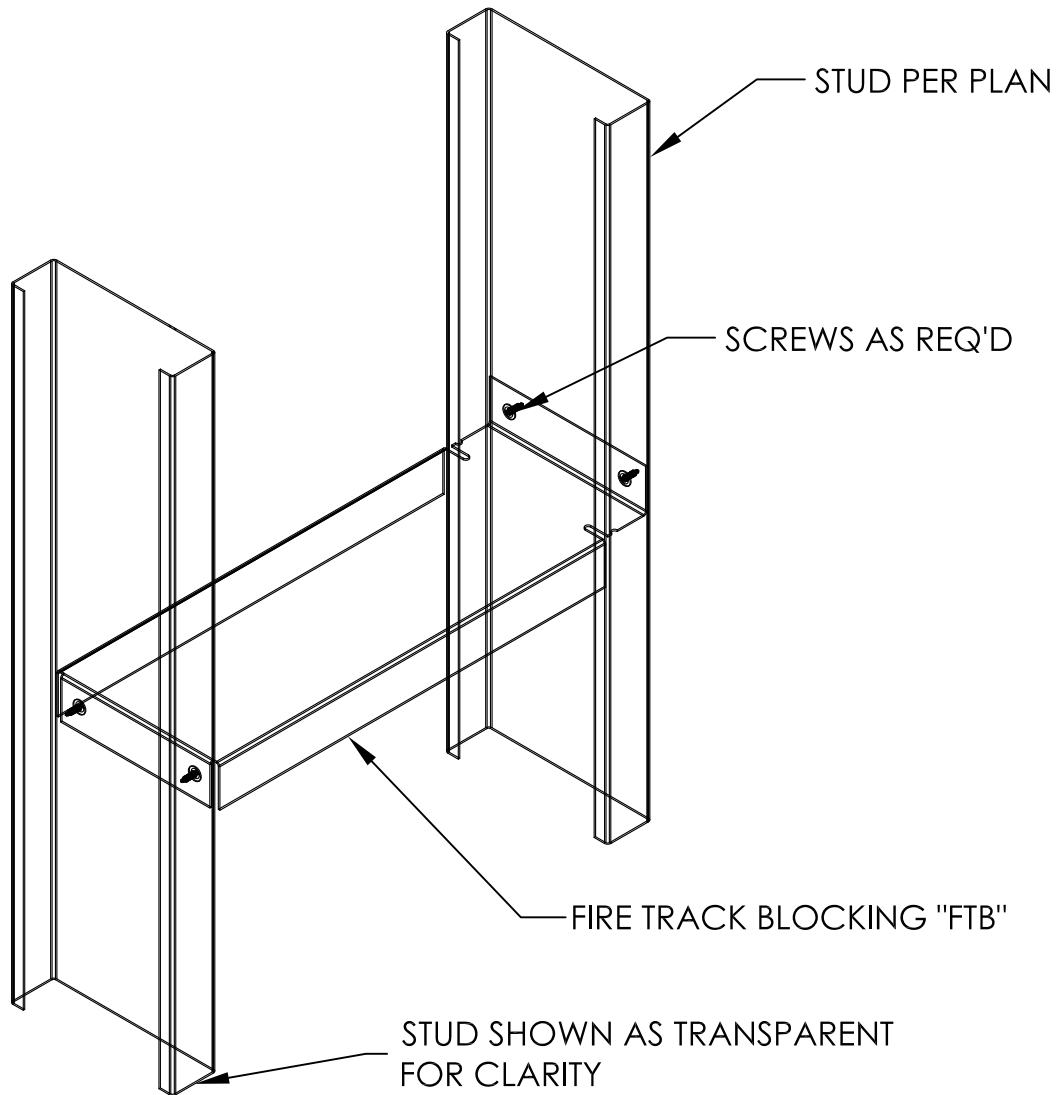




BC-1
XX

Brace Clip Detail

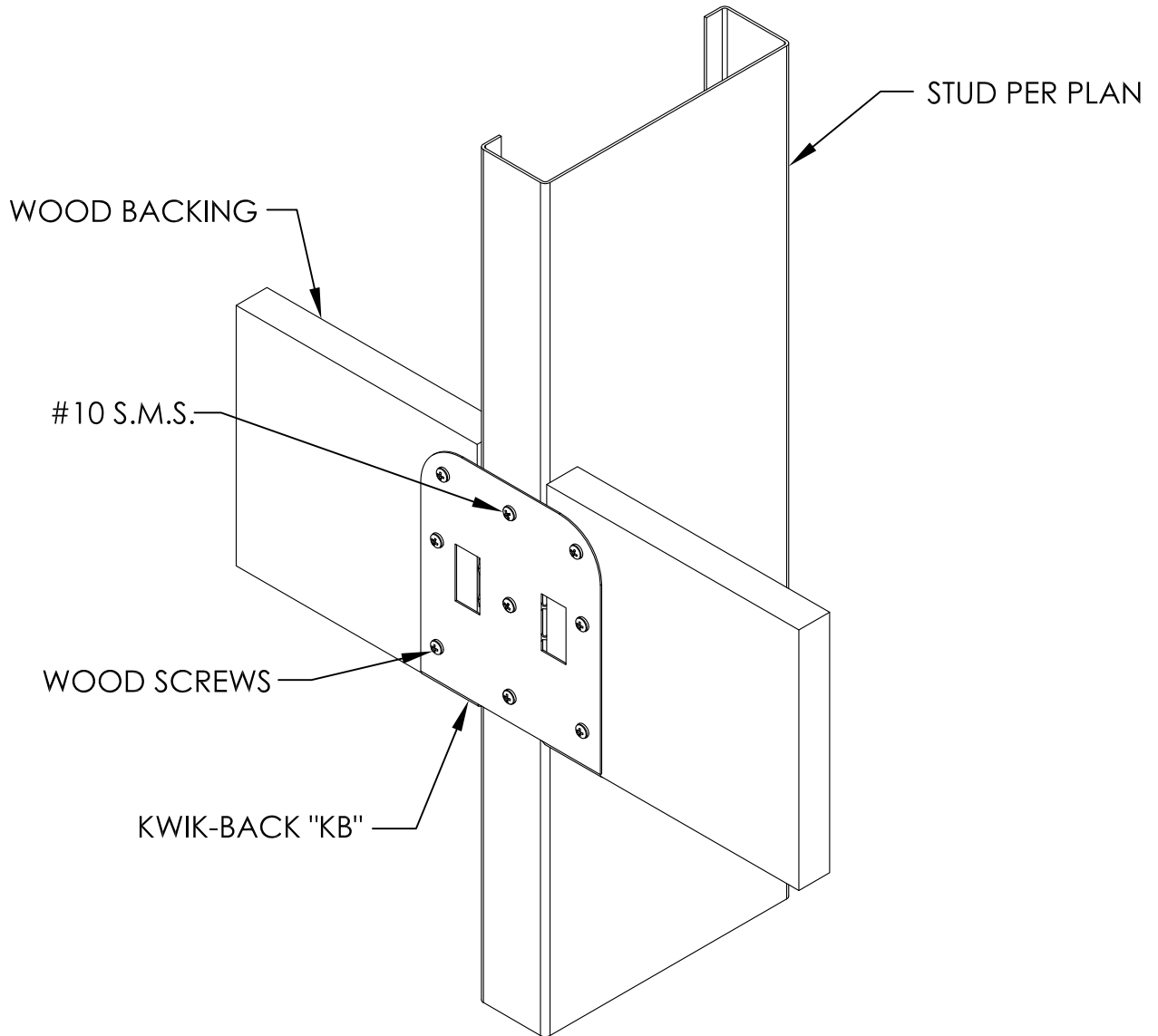
NTS



FTB-1
XX

Fire Track Blocking Detail

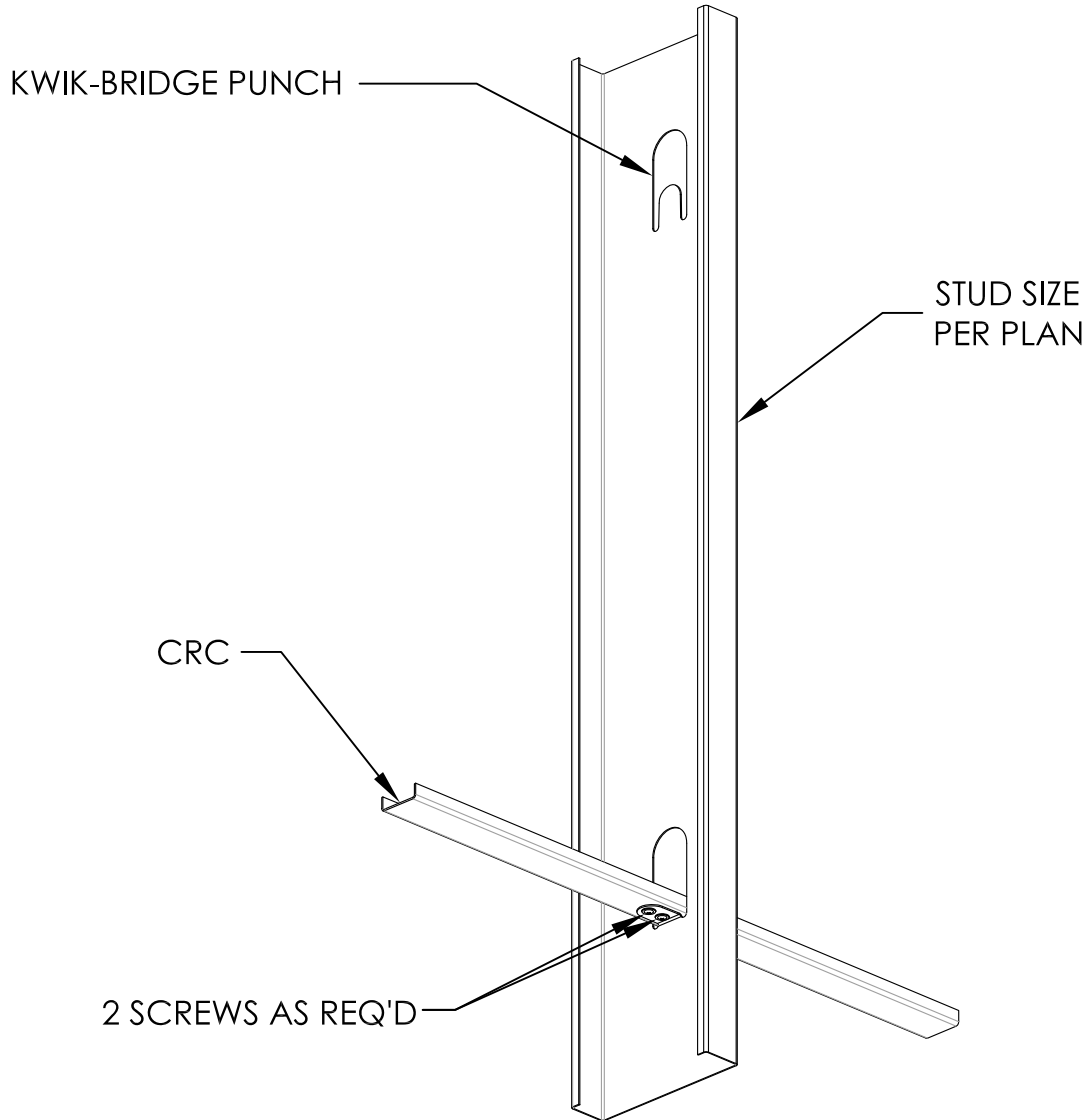
NTS



KB-1
XX

Kwik-Back Detail

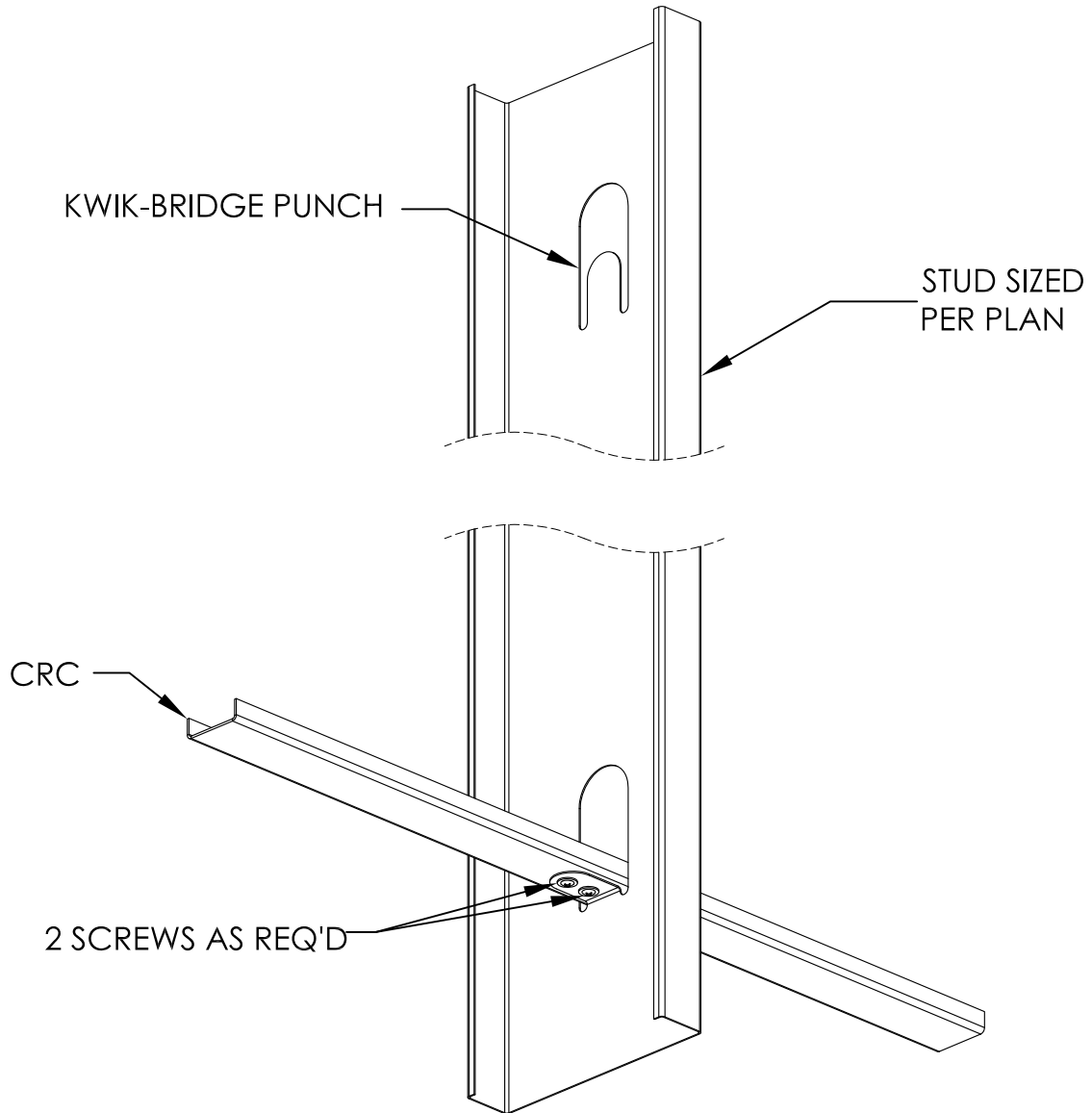
NTS



KB-2
XX

Kwik-Bridge Stud Detail

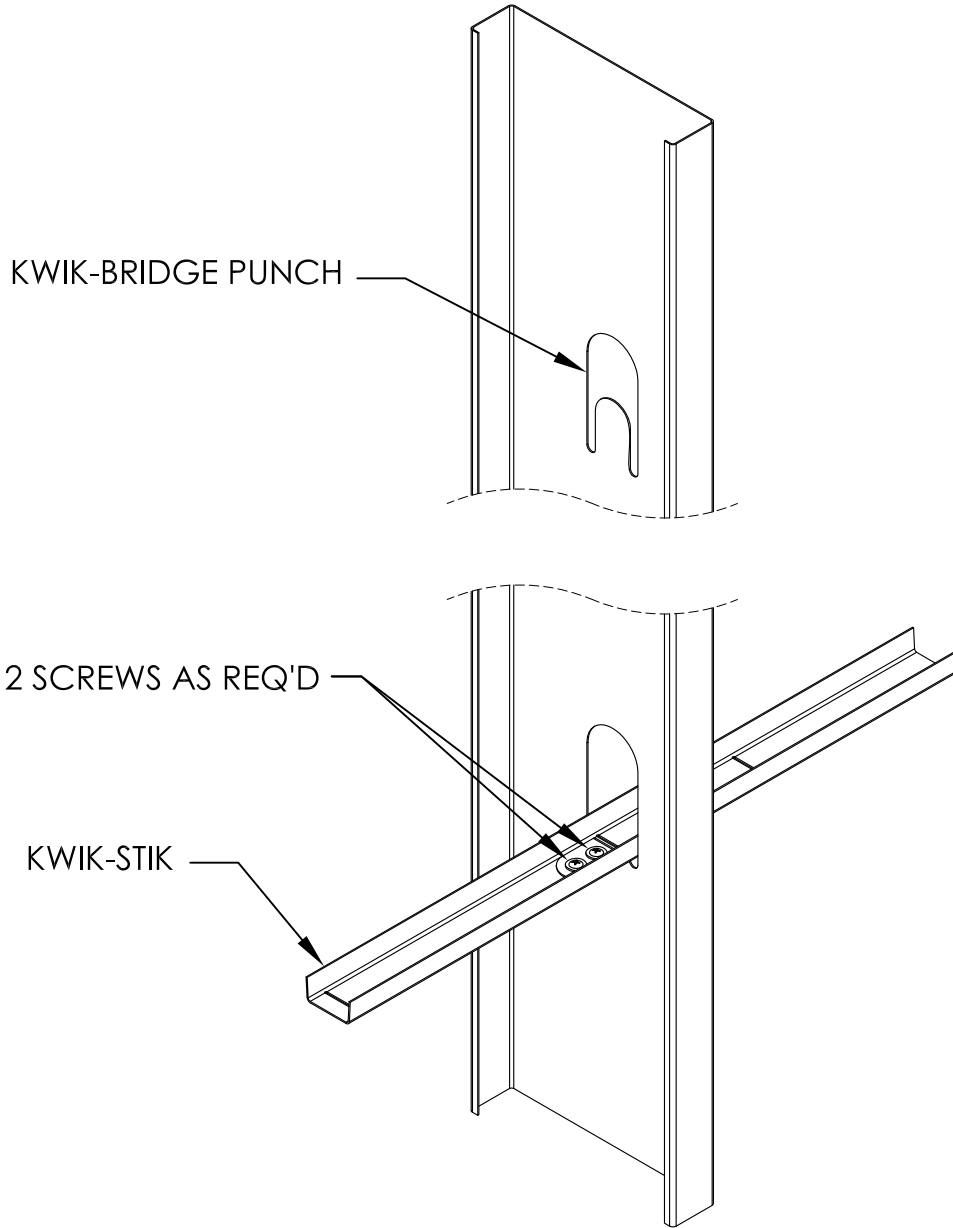
NTS



KBS-1
XX

Kwik-Bridge Stud Detail

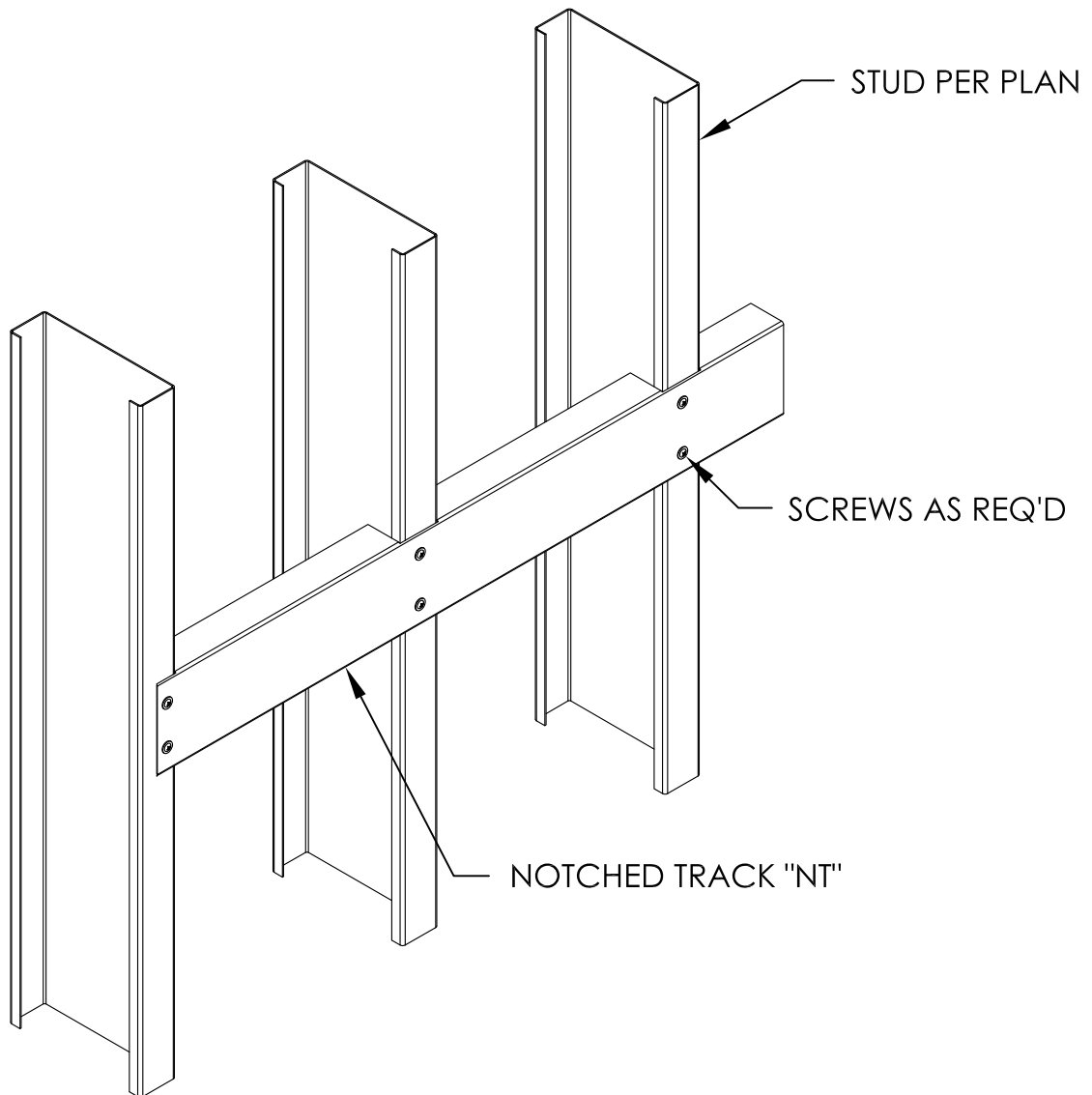
NTS



KS-1
XX

Kwik-Bridge Punch with Kwik-Stik Detail

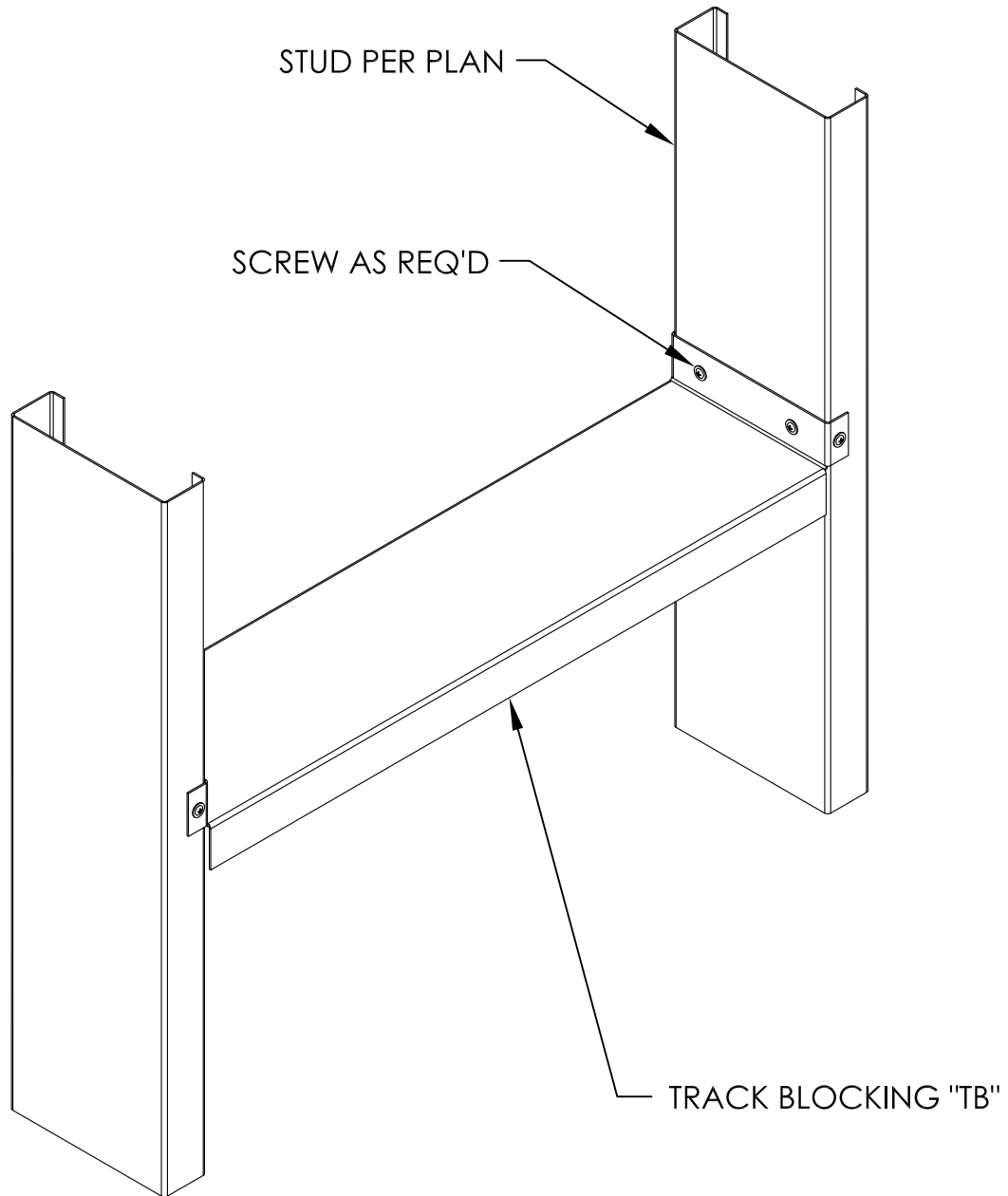
NTS



NT-1
XX

Blocking Detail (Notched Track)

NTS



TB-1
XX

Track Blocking Detail

NTS

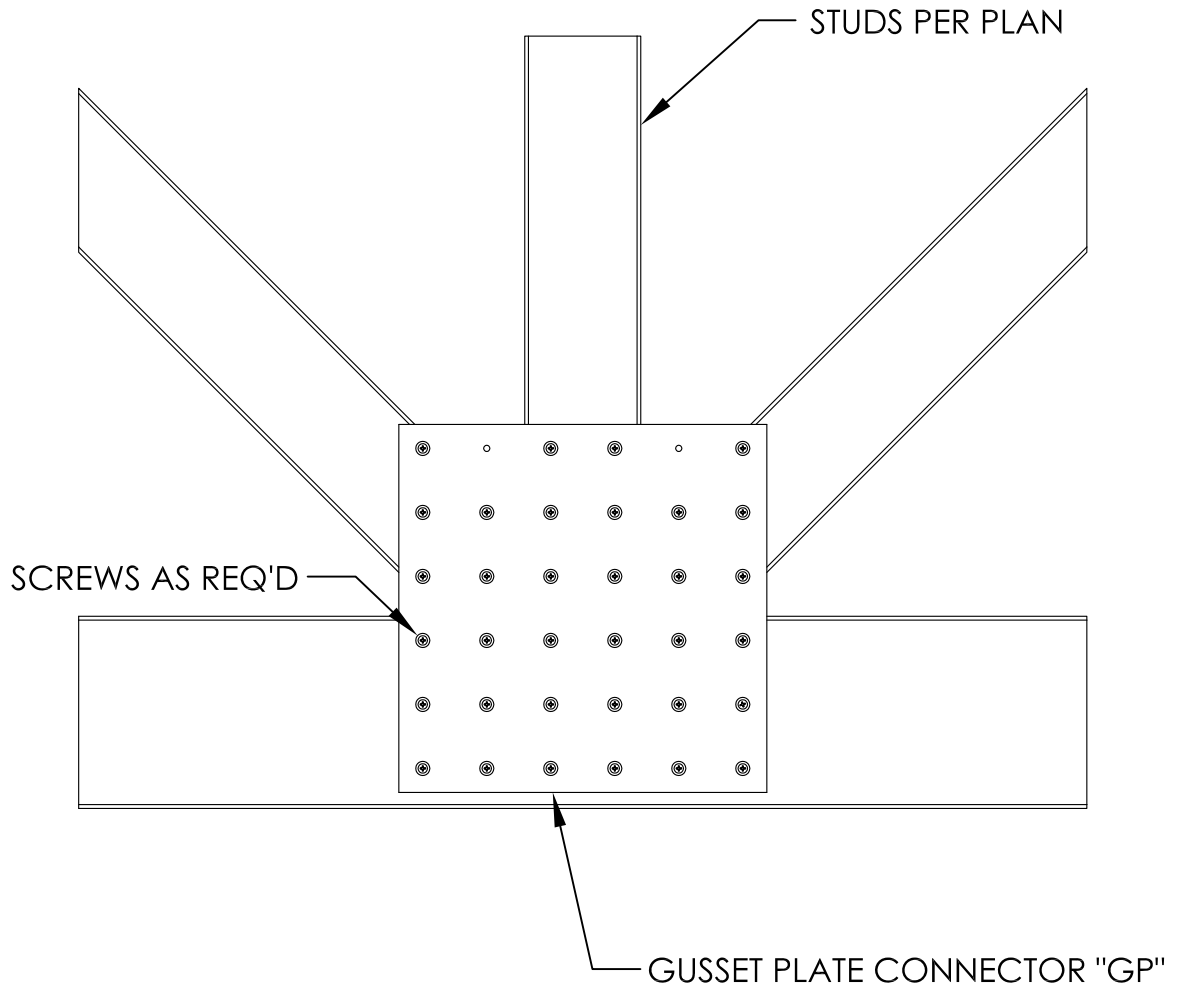


Splicing and Stiffening

Manufacturing Products for the Agriculture and Construction Industries Since 1954

Locations In: Washington • Idaho • Oregon • Montana • California • Alaska • Alberta

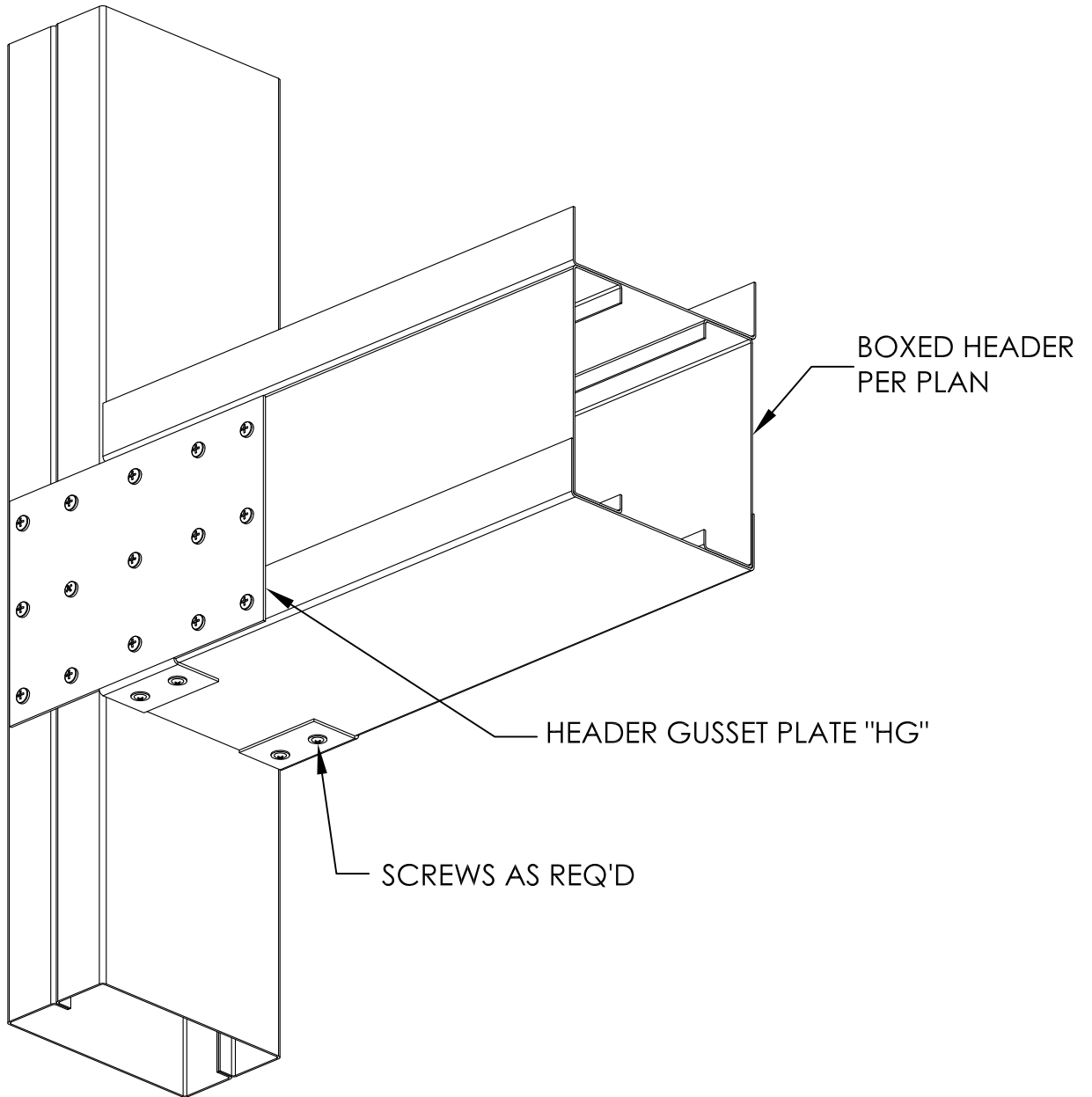




GP-1
XX

Gusset Plate Connector Detail

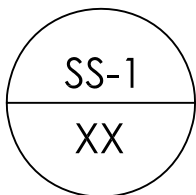
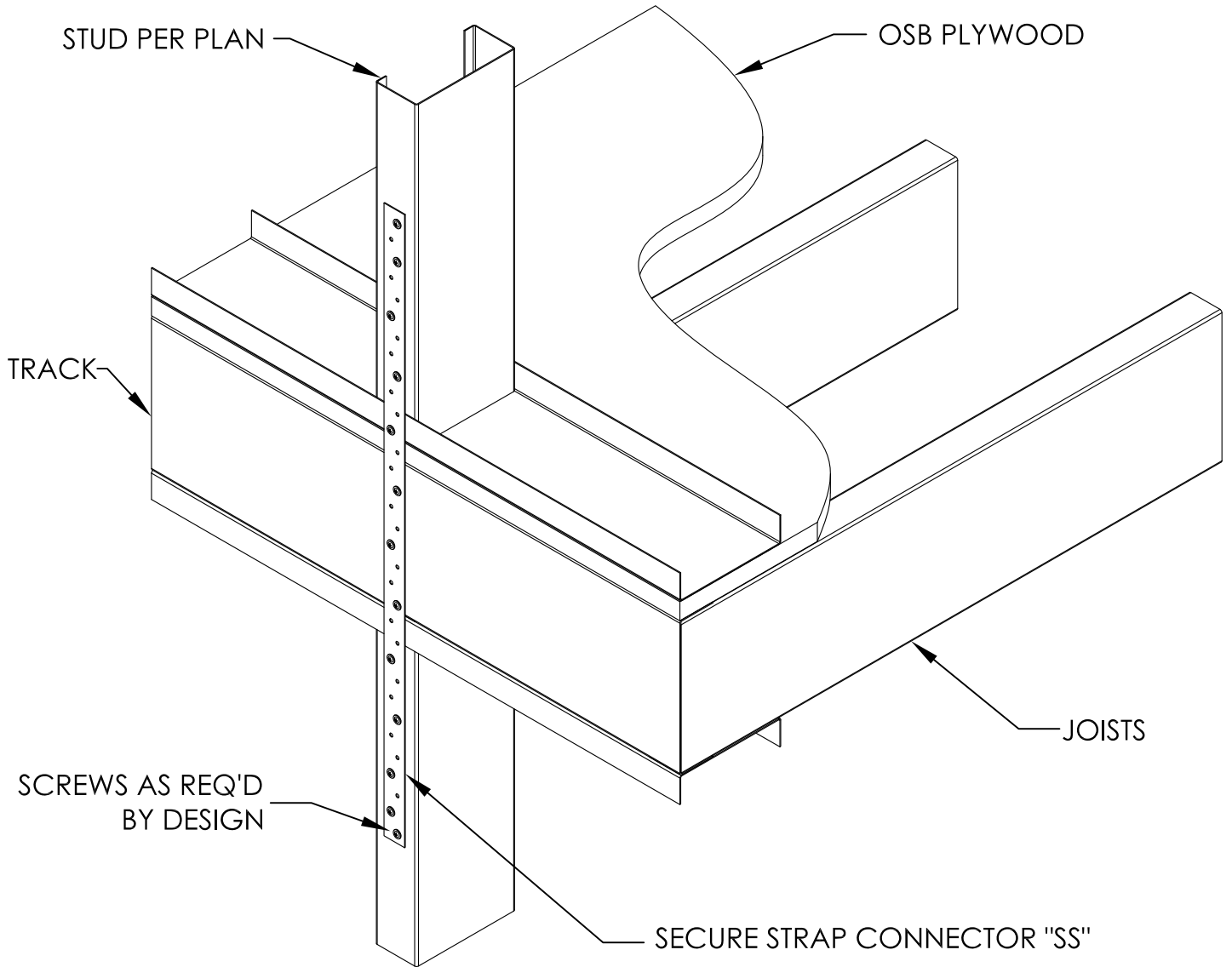
NTS



HG-1
XX

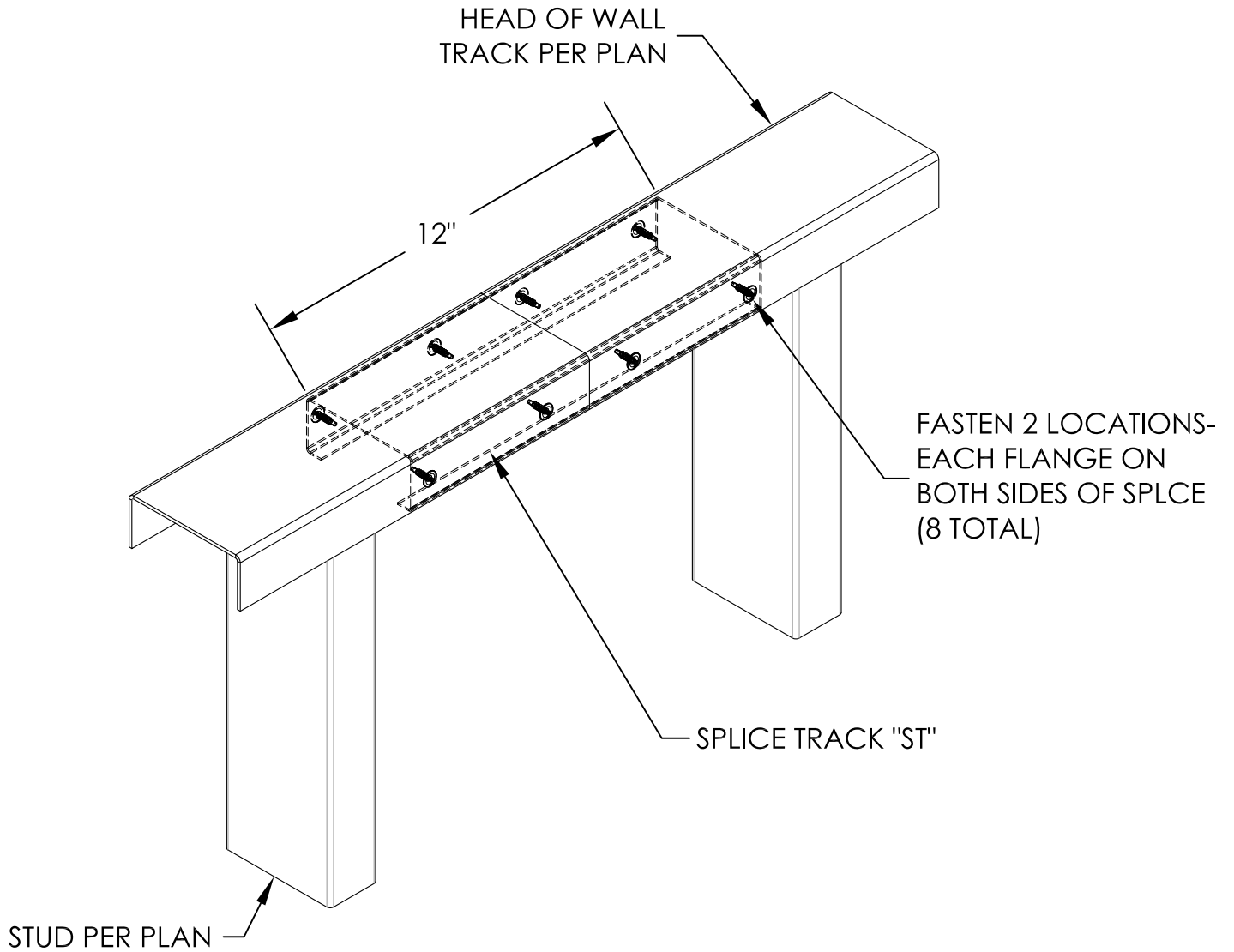
Header to Jamb Detail

NTS



Secure Strap Connector Detail

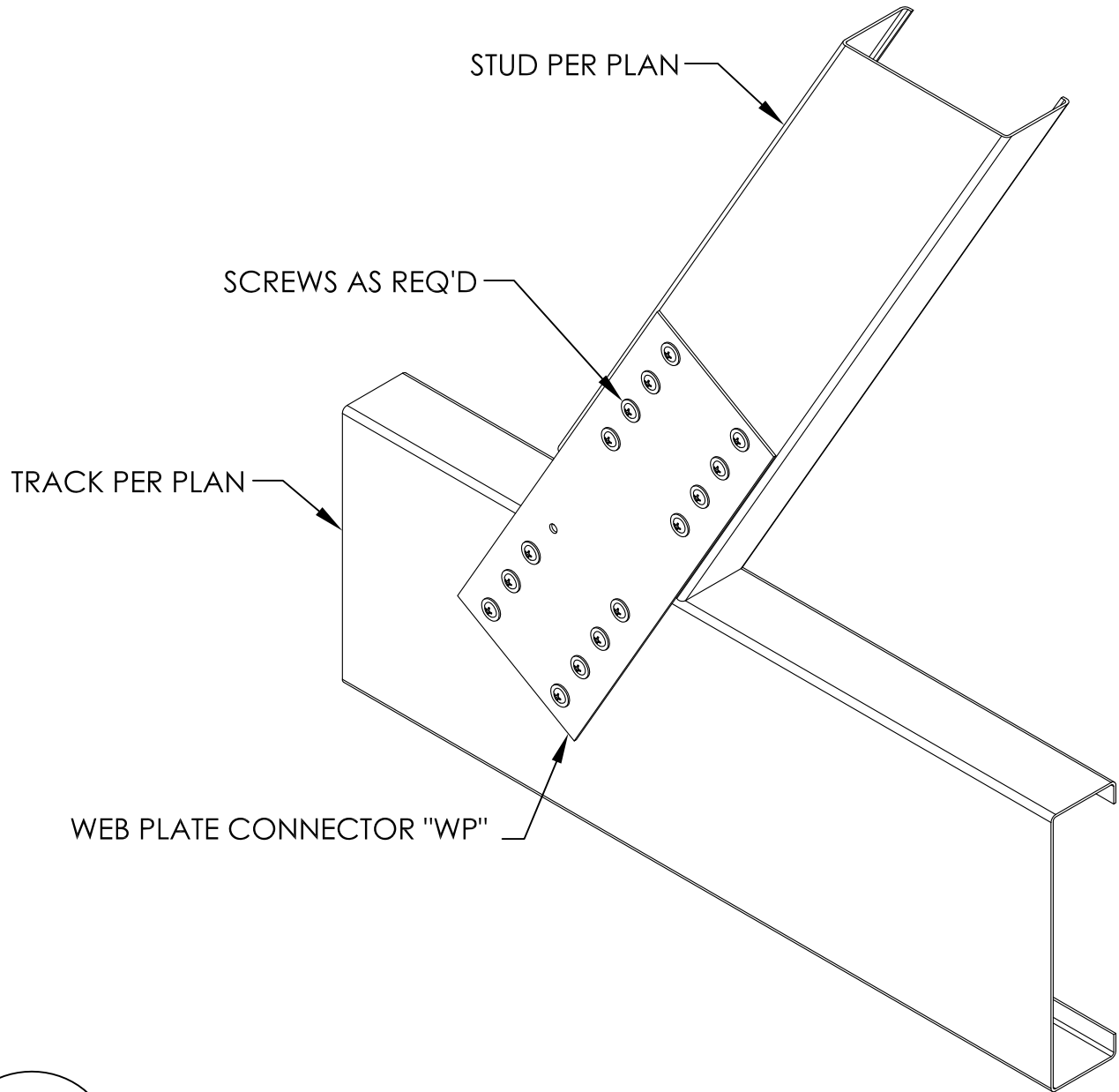
NTS



ST-1
XX

Splice Track Detail (Head of Wall)

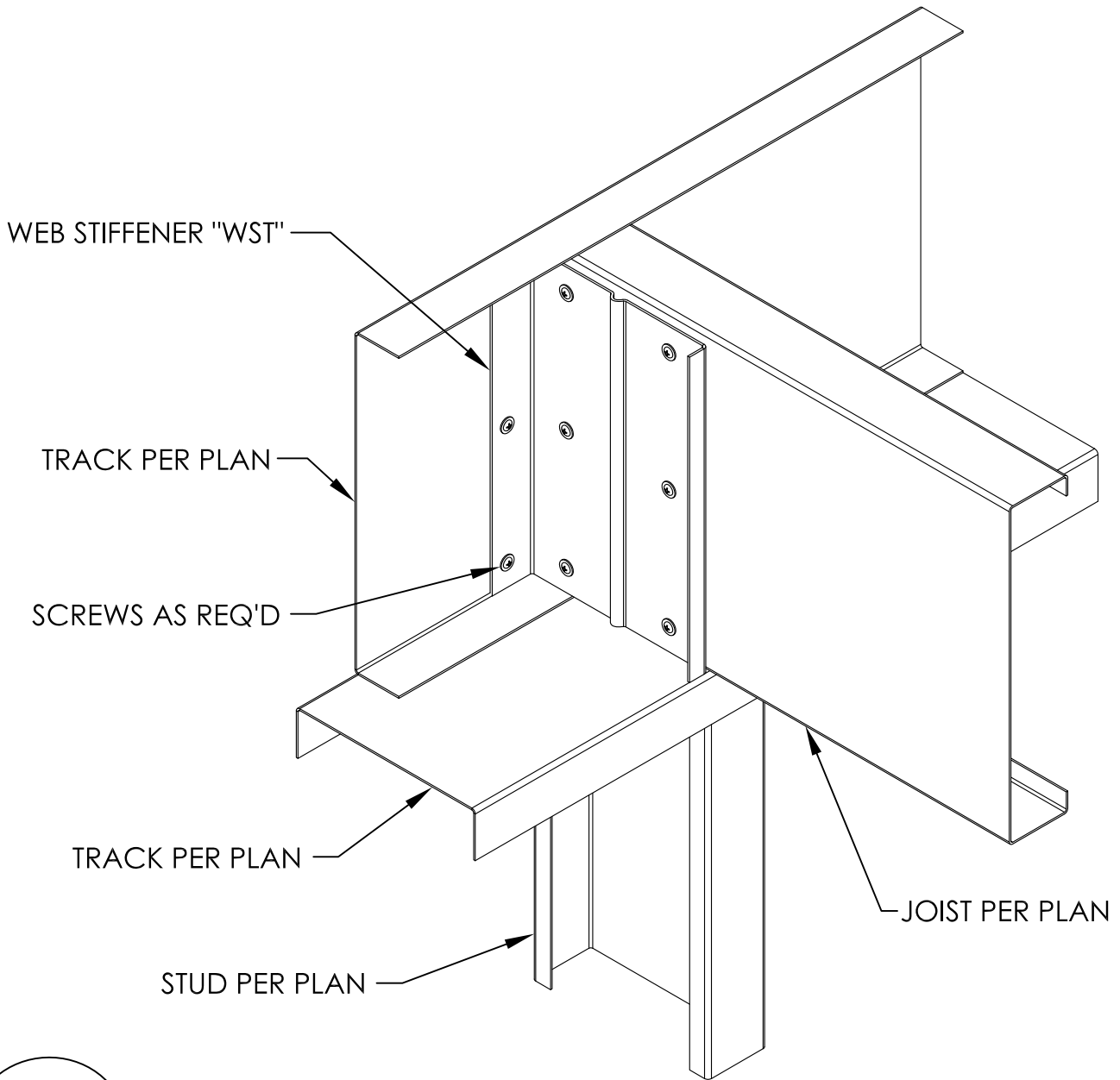
NTS



WP-1
XX

Truss Connection Detail

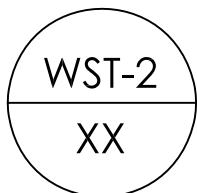
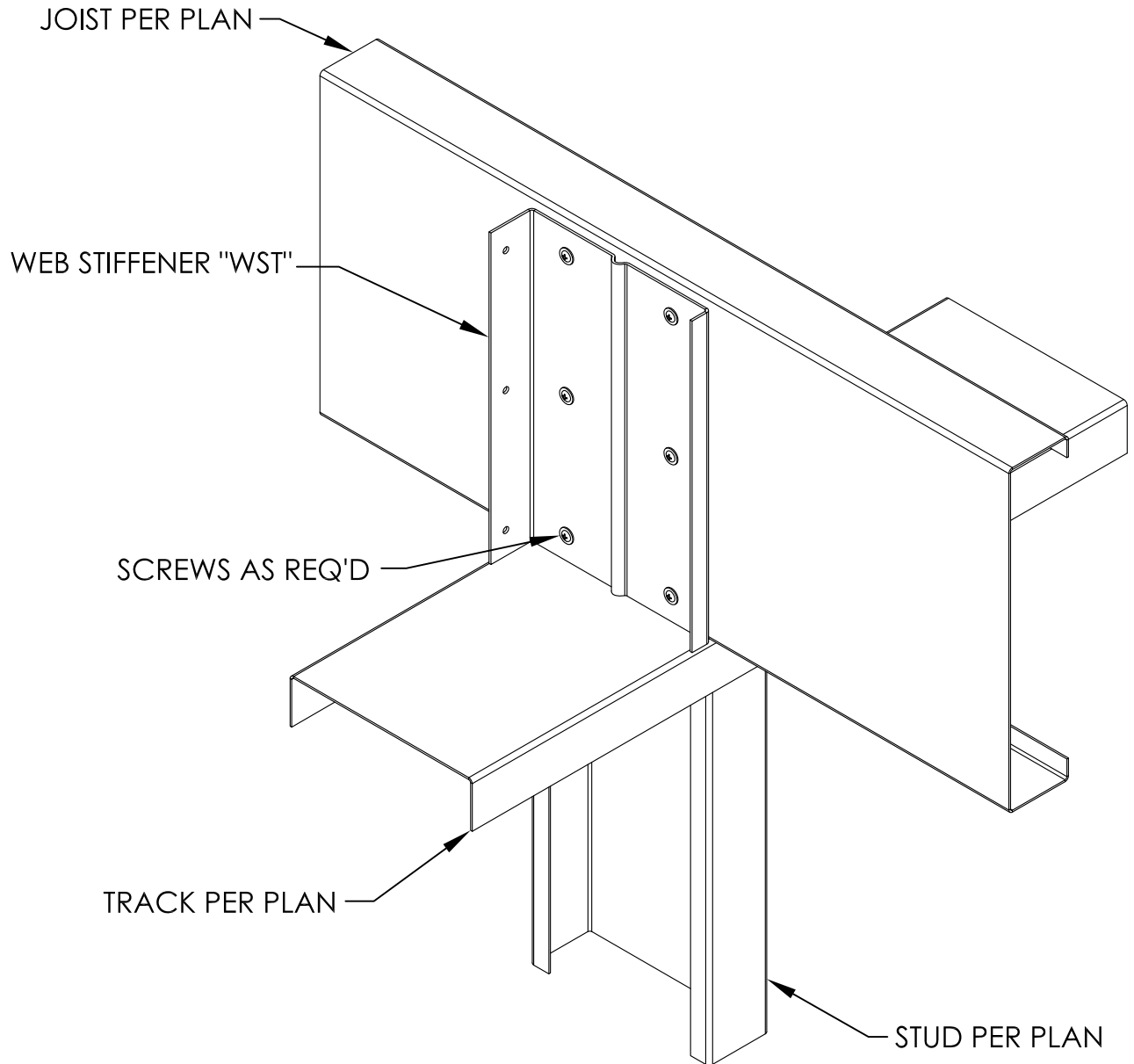
NTS



WST-1
XX

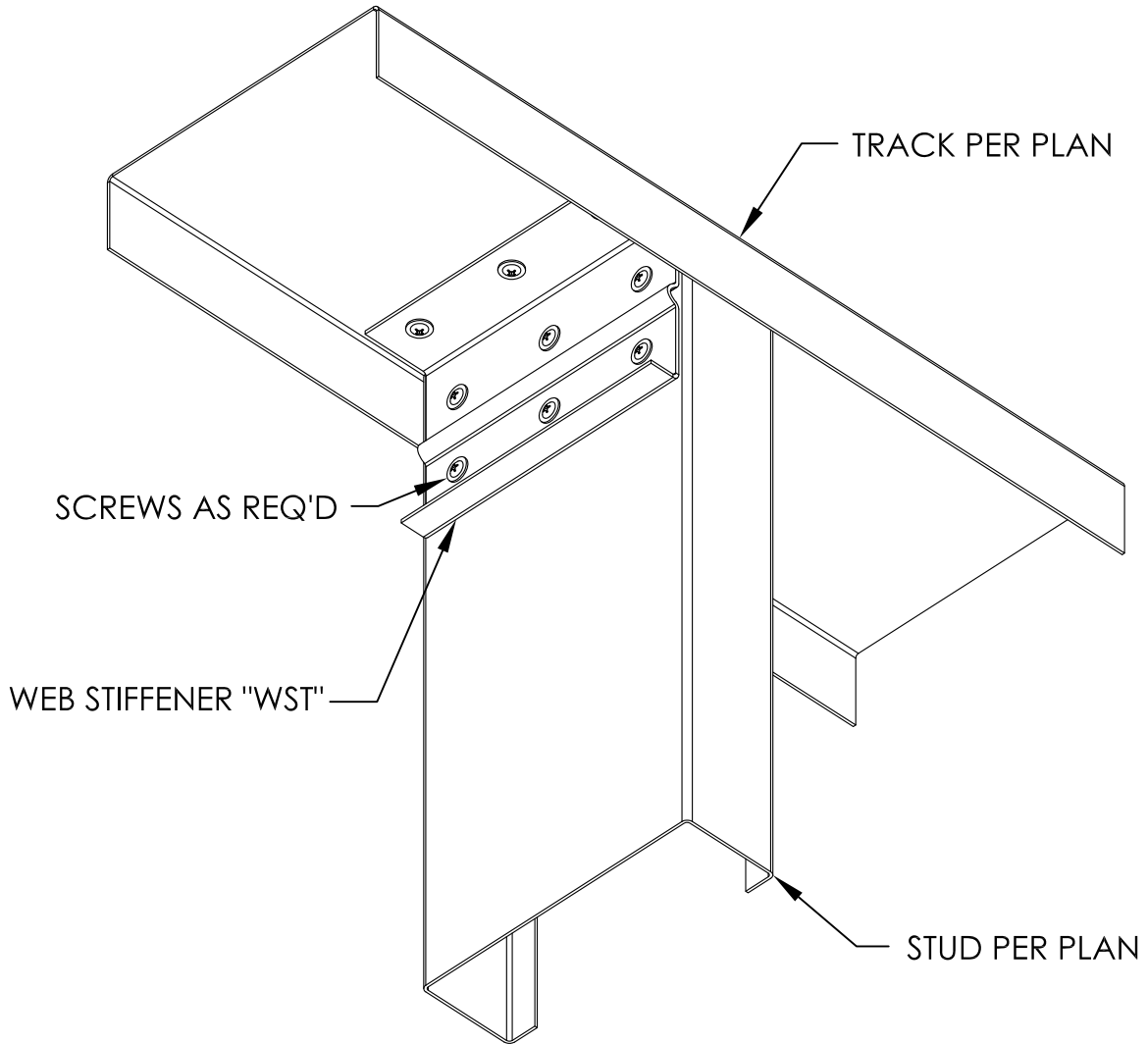
Joist Web Stiffener (End Support)

NTS



Joist Web Stiffener (Interior Support)

NTS



WST-3
XX

Wall Web Stiffener Detail

NTS

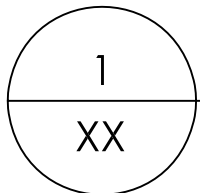
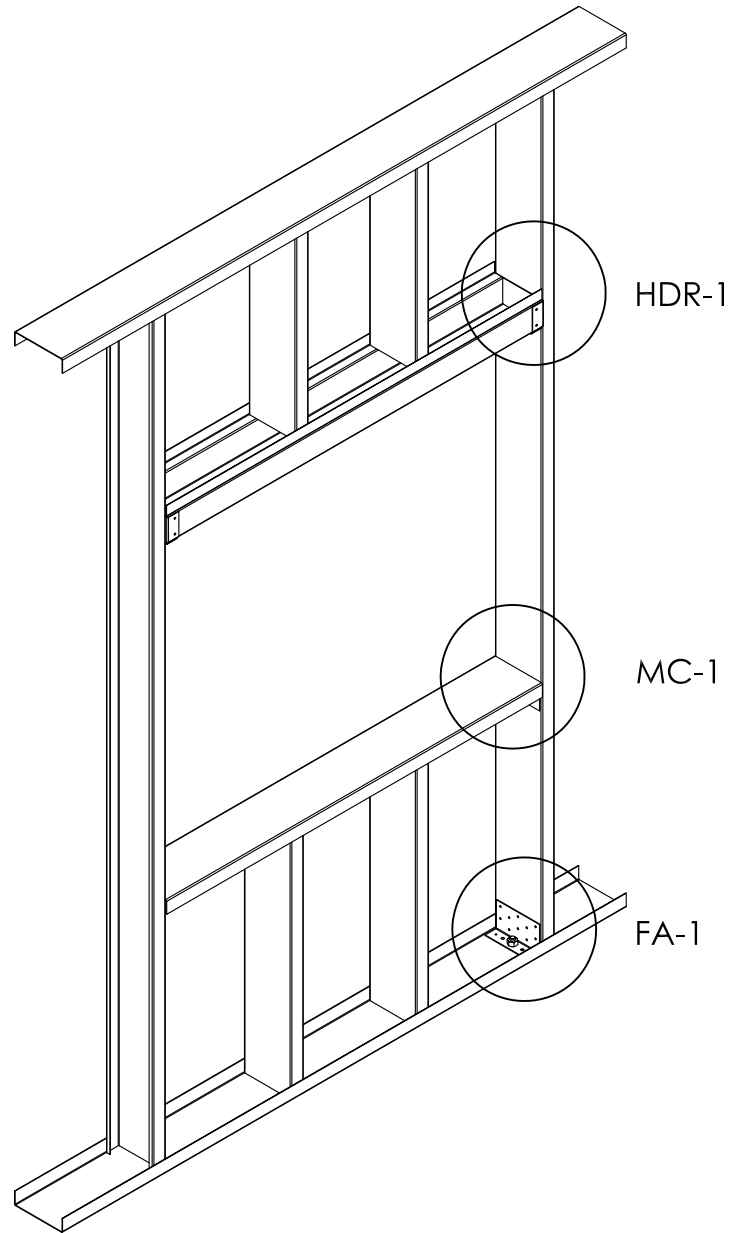


Headers - Sill

Manufacturing Products for the Agriculture and Construction Industries Since 1954

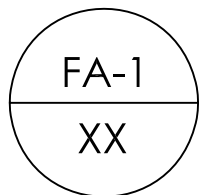
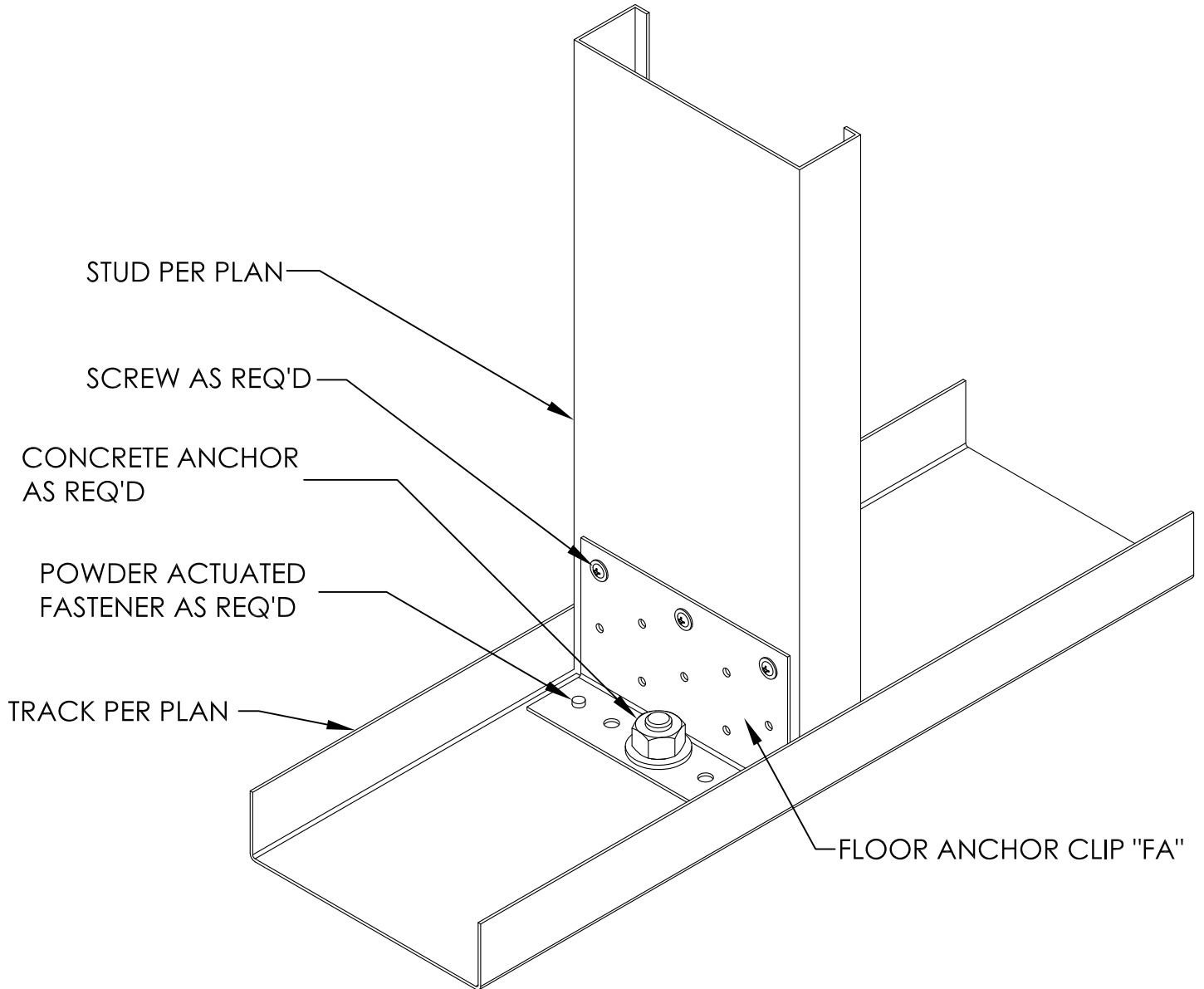
Locations In: Washington • Idaho • Oregon • Montana • California • Alaska • Alberta





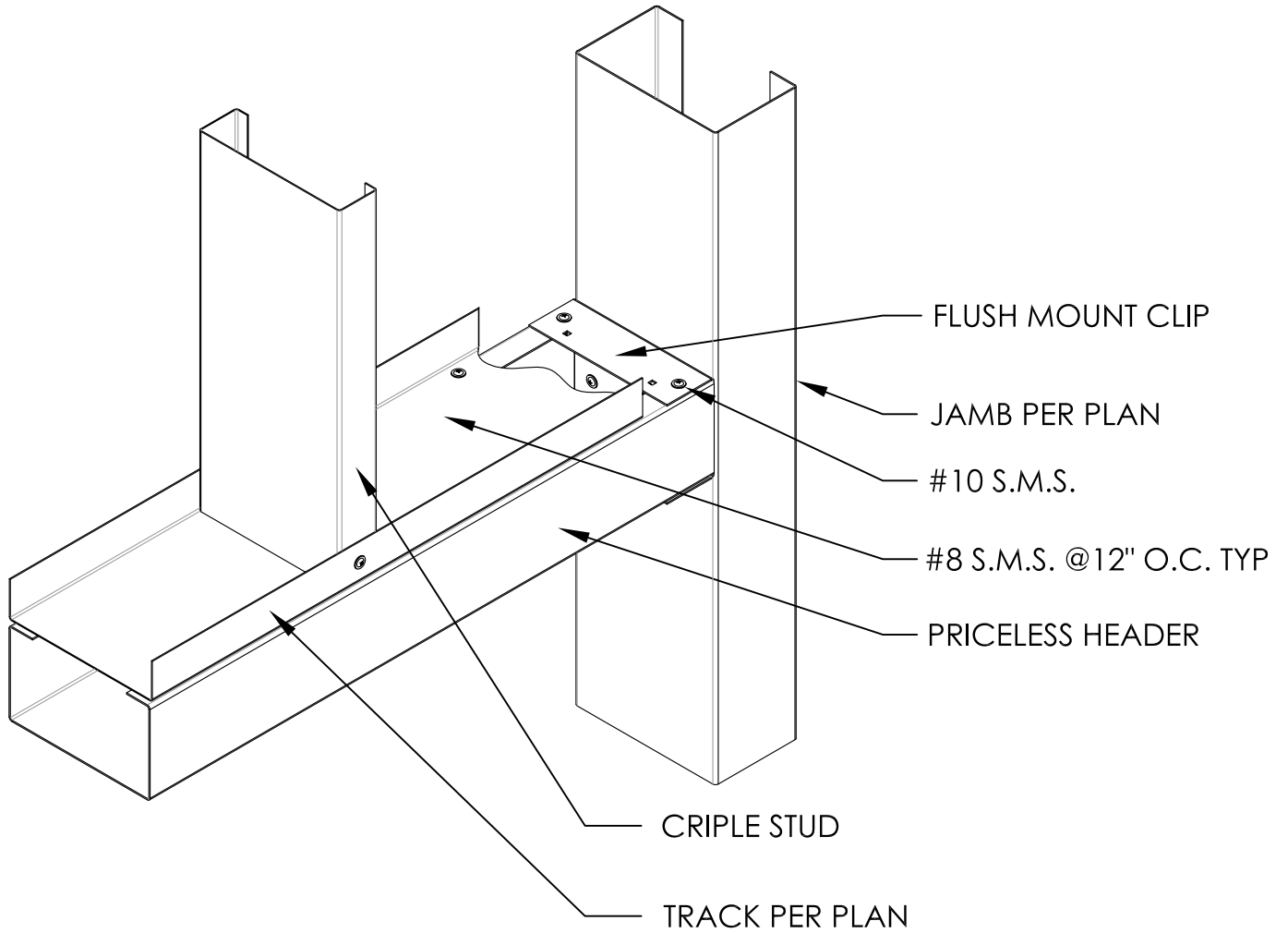
Window Opening Detail - 1

NTS



Stud to Floor Anchoring Detail

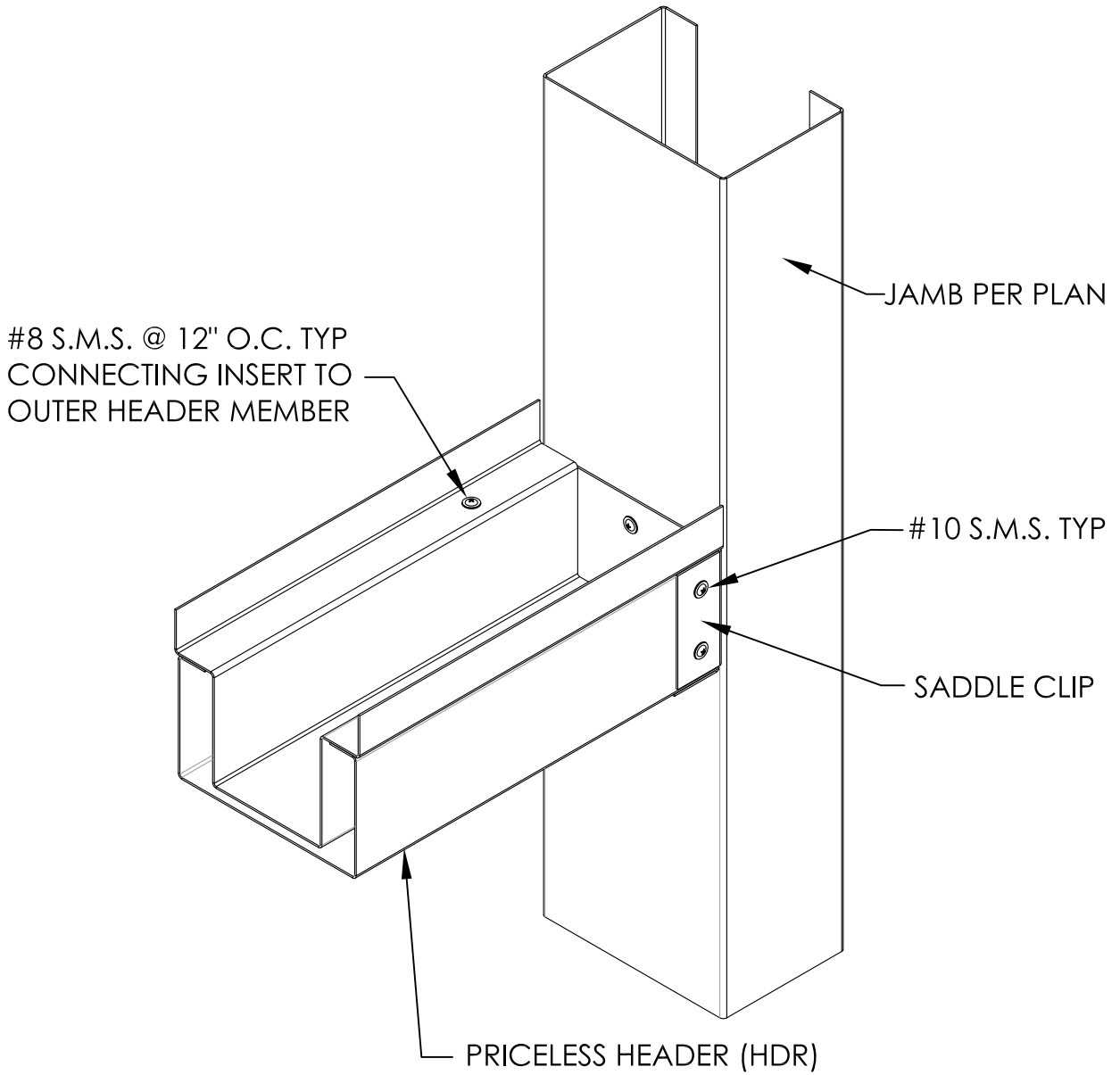
NTS



HD-1
XX

Header to Jamb Detail

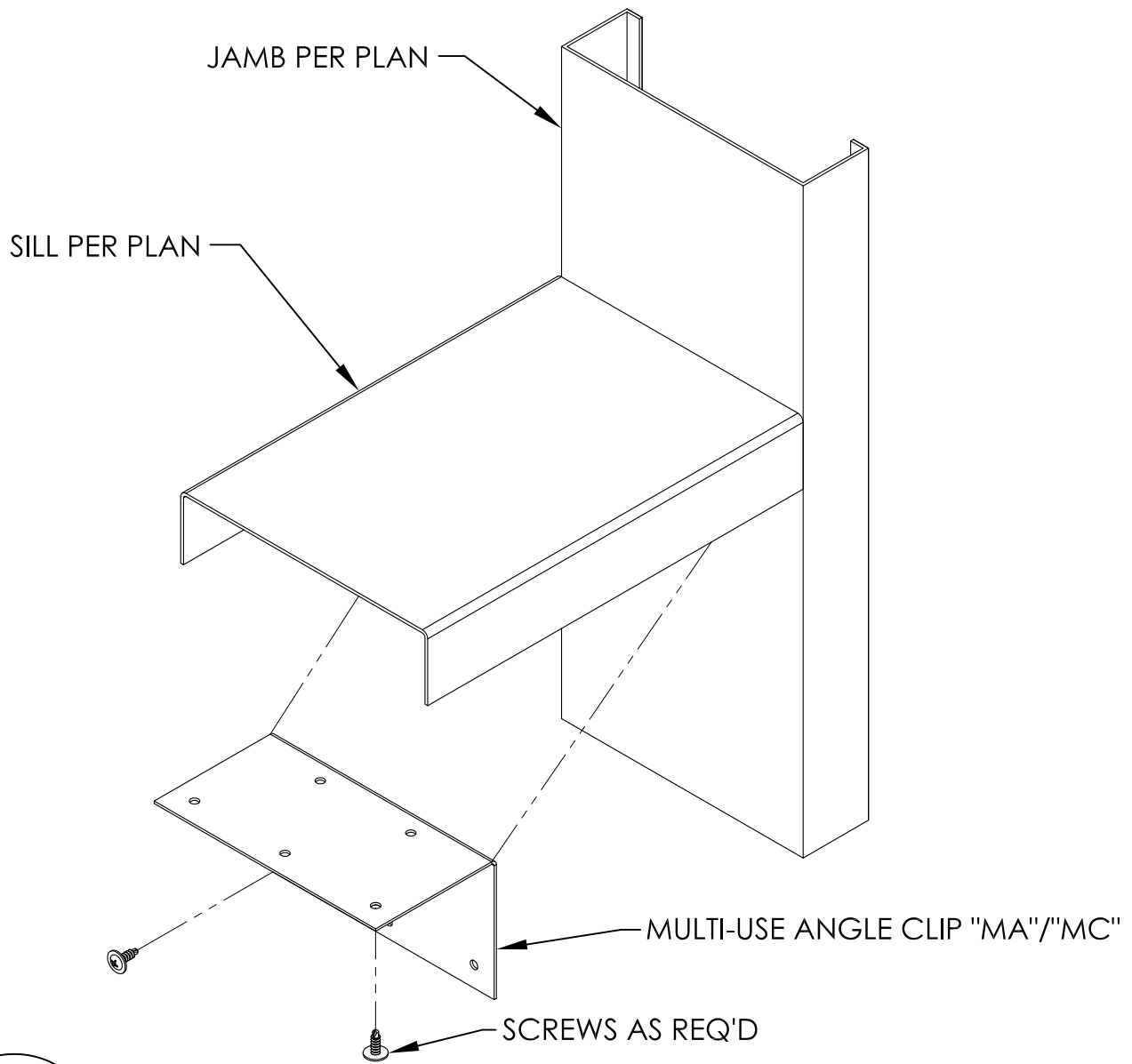
NTS



HDR-1
XX

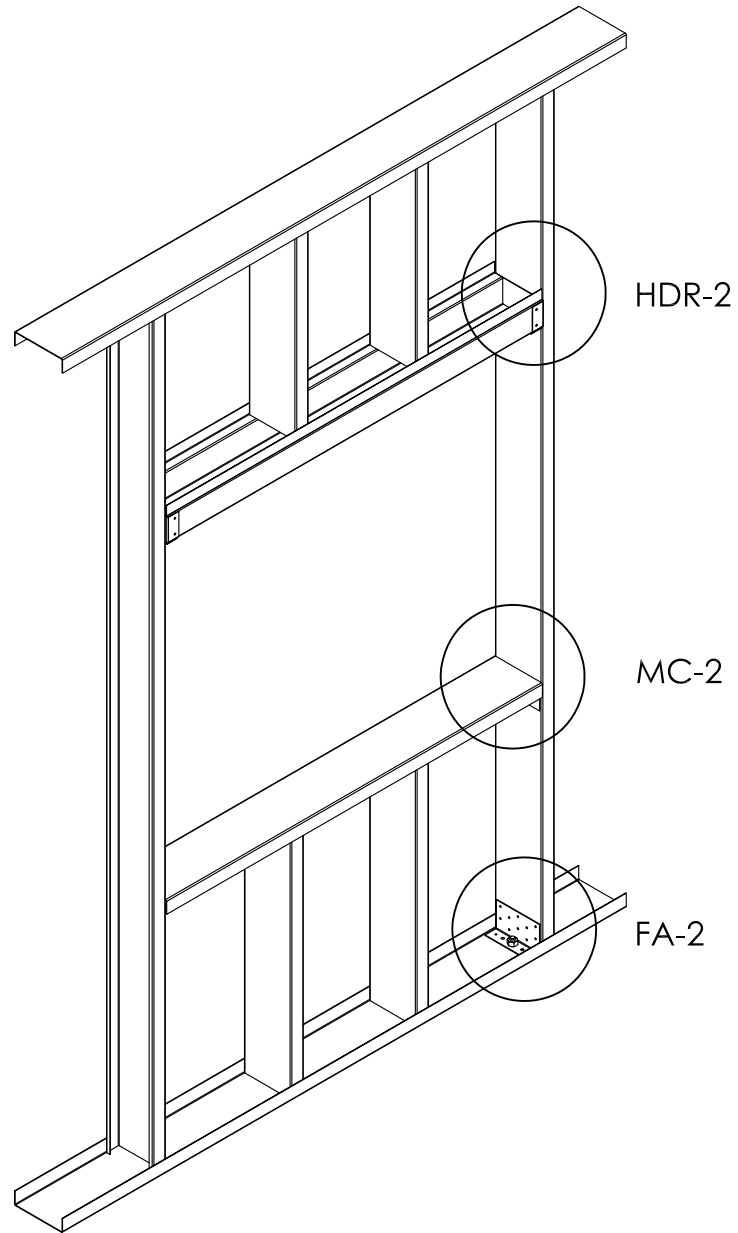
Header to Jamb Detail

NTS



MC-1
XX

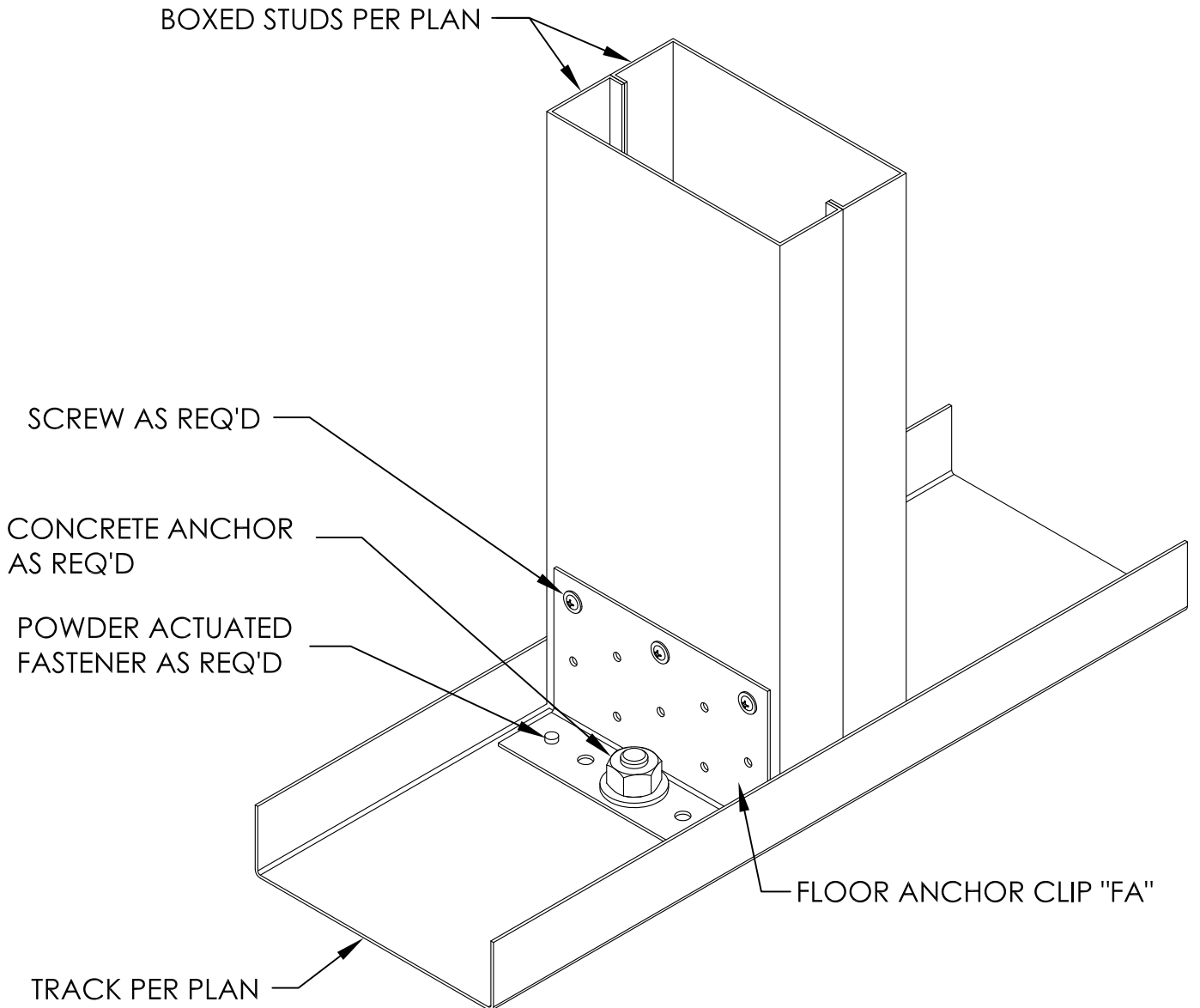
Sill Detail
NTS



2
XX

Window Opening Detail - 2

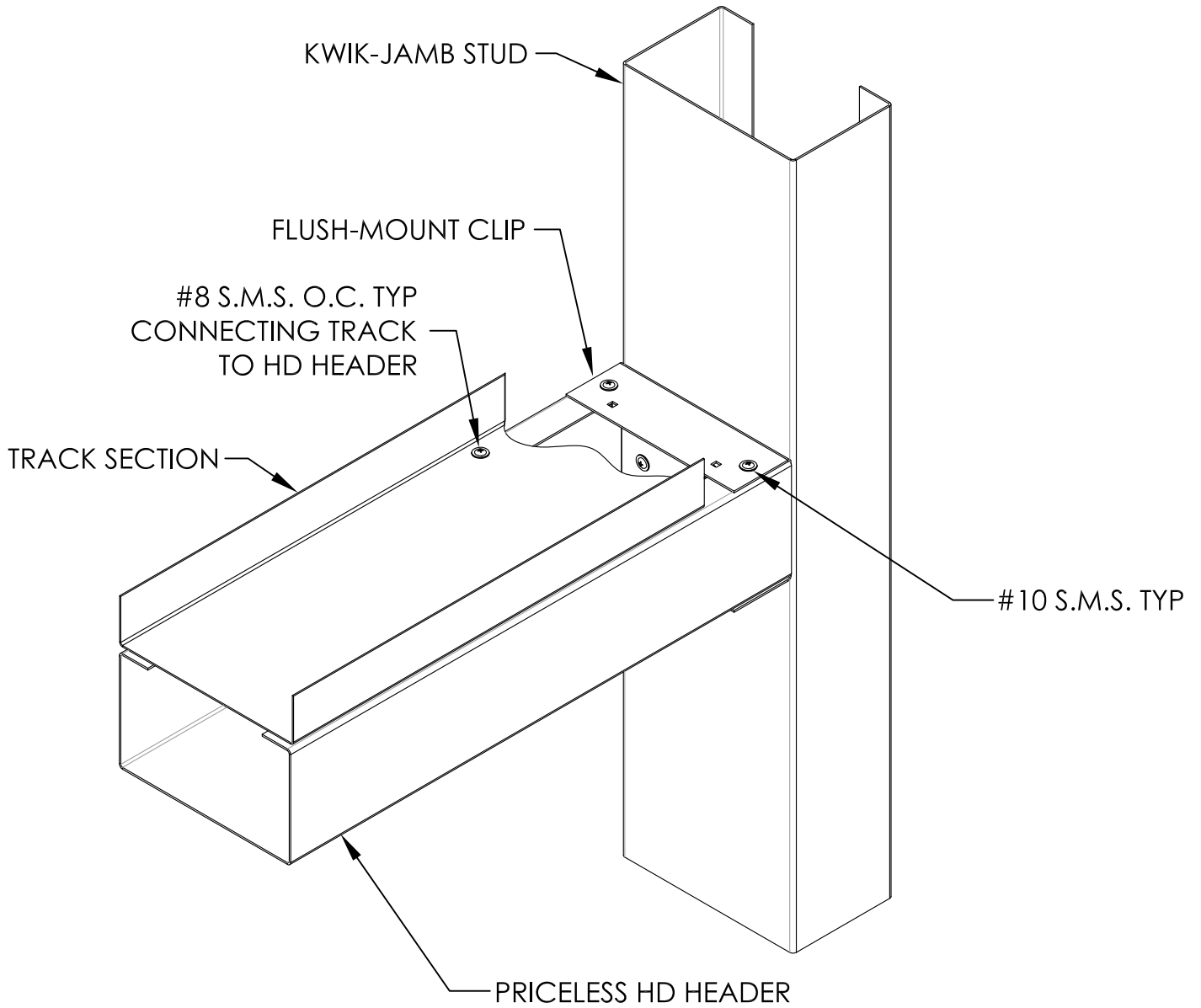
NTS



FA-2
XX

Stud to Floor Anchoring Detail

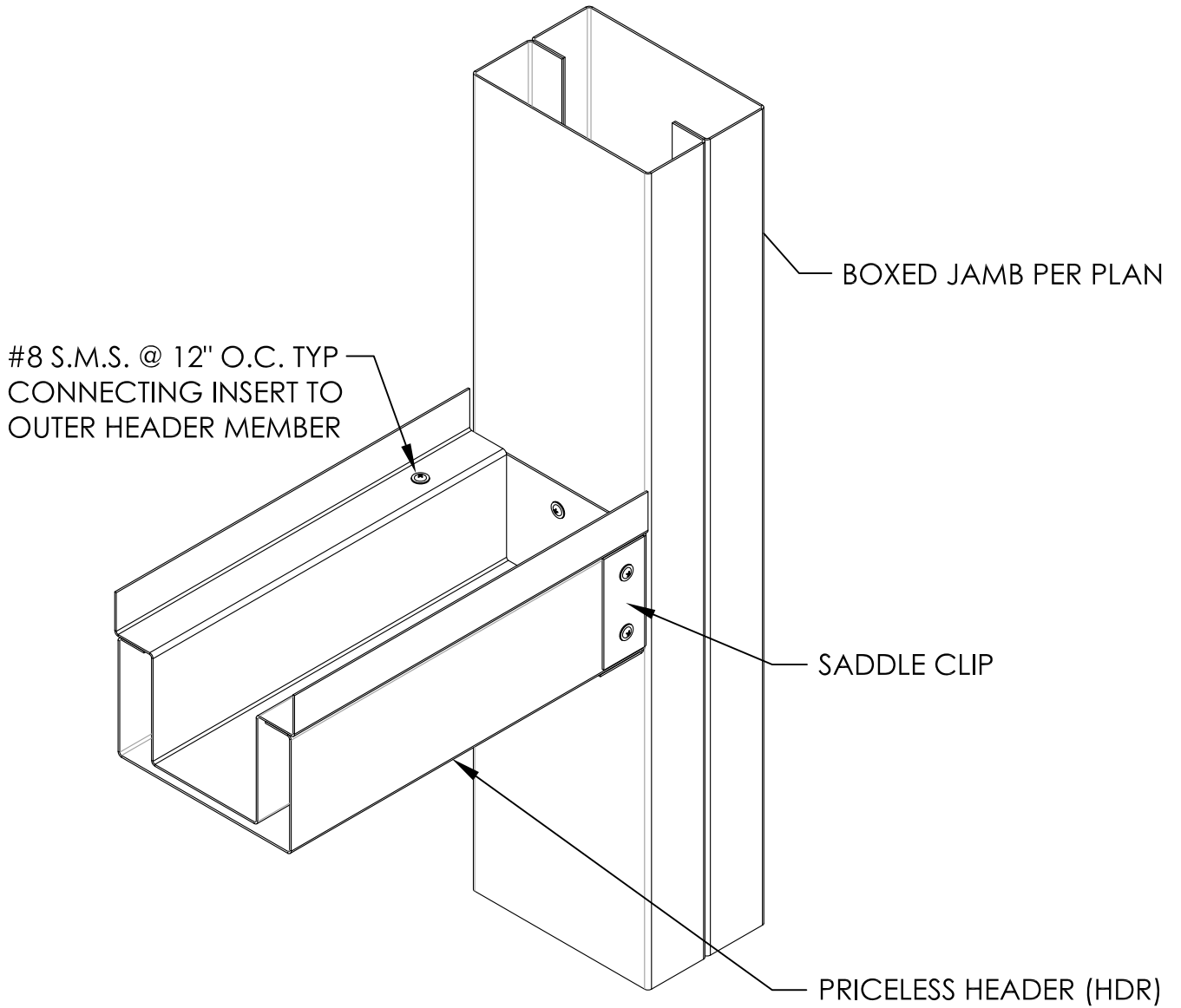
NTS



HD-2
XX

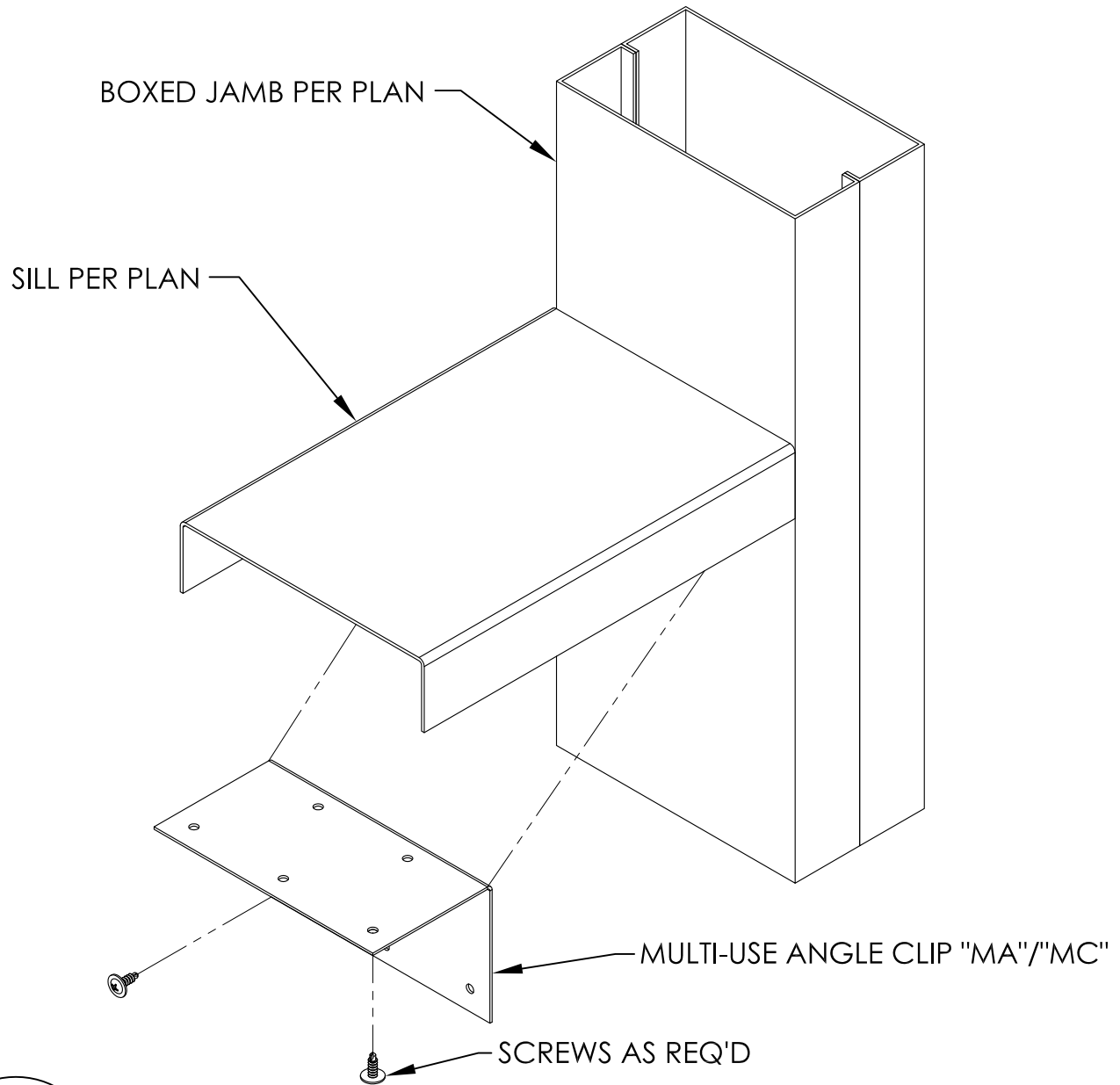
Header to Kwik-Jamb Detail

NTS



HDR-2
XX

Header to Boxed Jamb Detail
NTS



MC-2
XX

Double Jamb Sill Detail

NTS

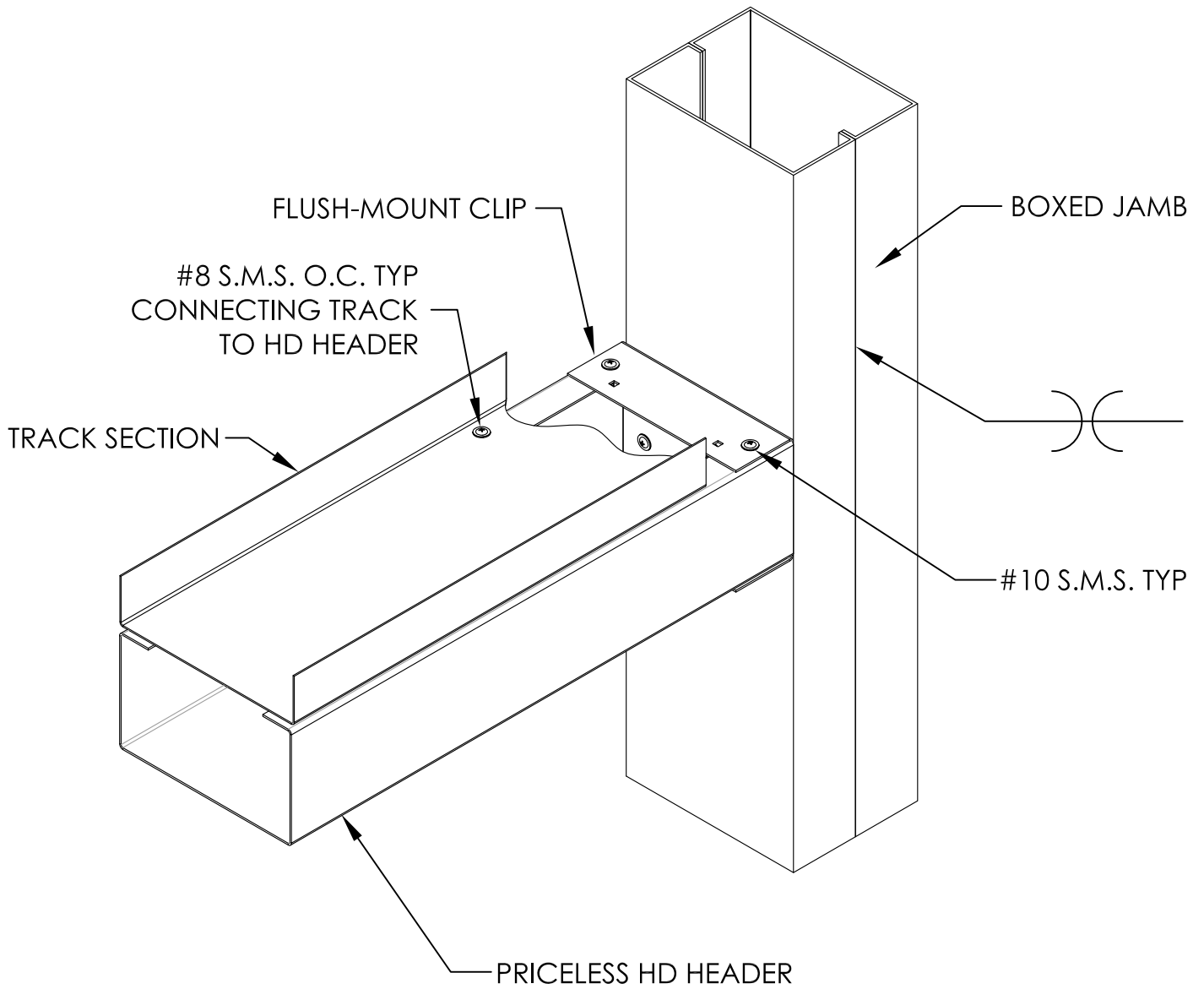


Assorted

Manufacturing Products for the Agriculture and Construction Industries Since 1954

Locations In: Washington • Idaho • Oregon • Montana • California • Alaska • Alberta

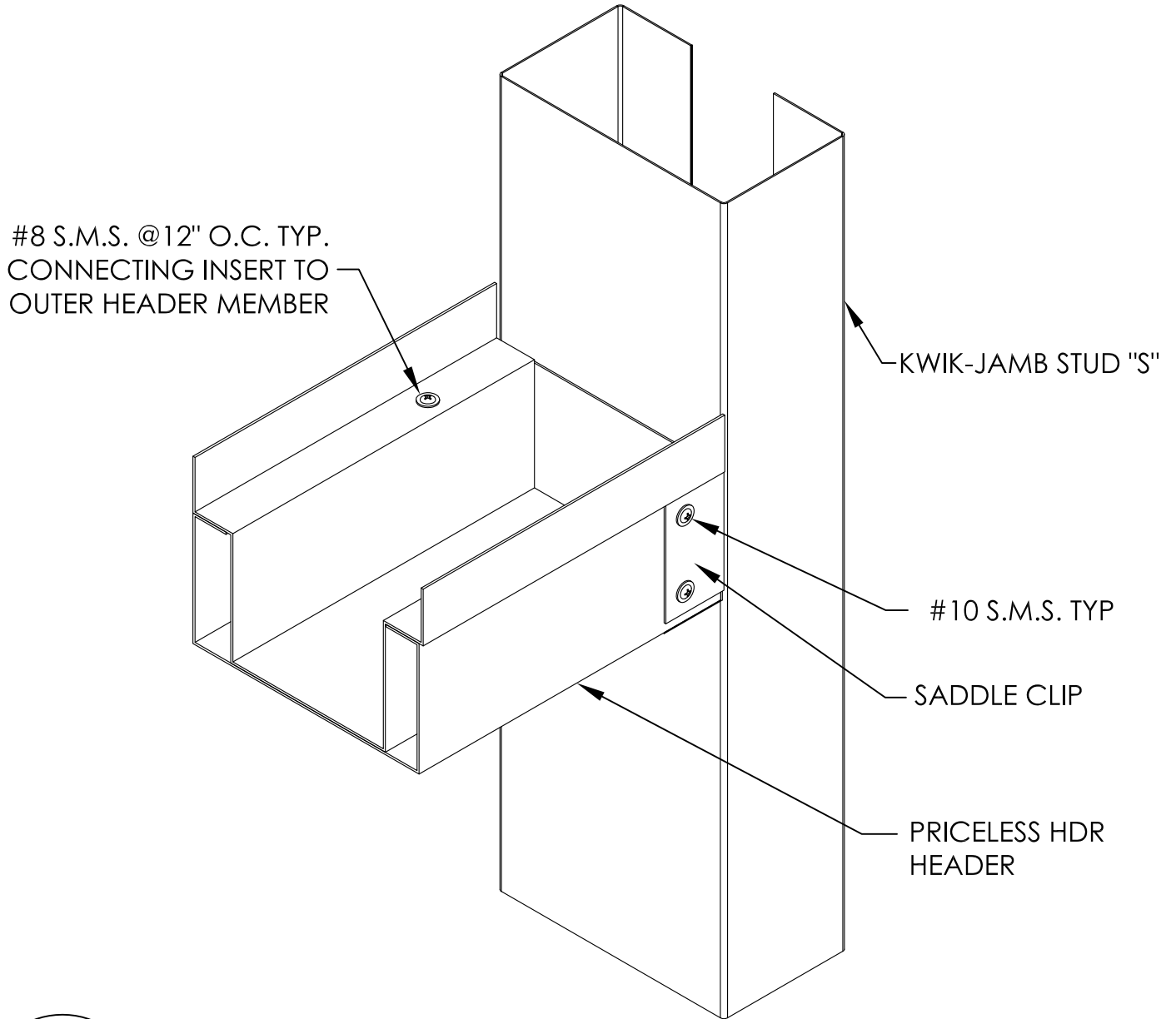




HD-3
XX

Header to Boxed Jamb Detail

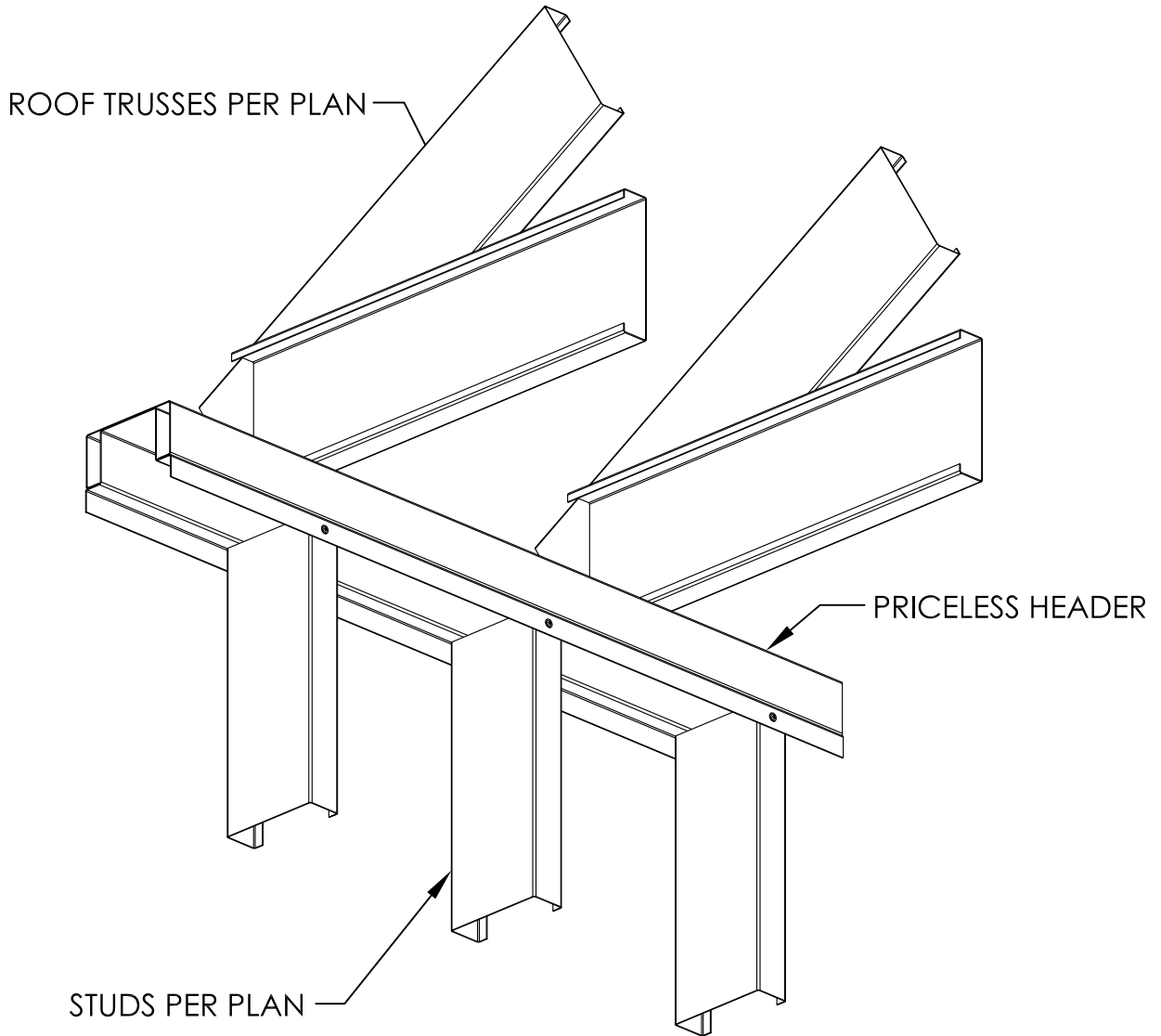
NTS



HDR-3
XX

Header to Jamb Stud Detail

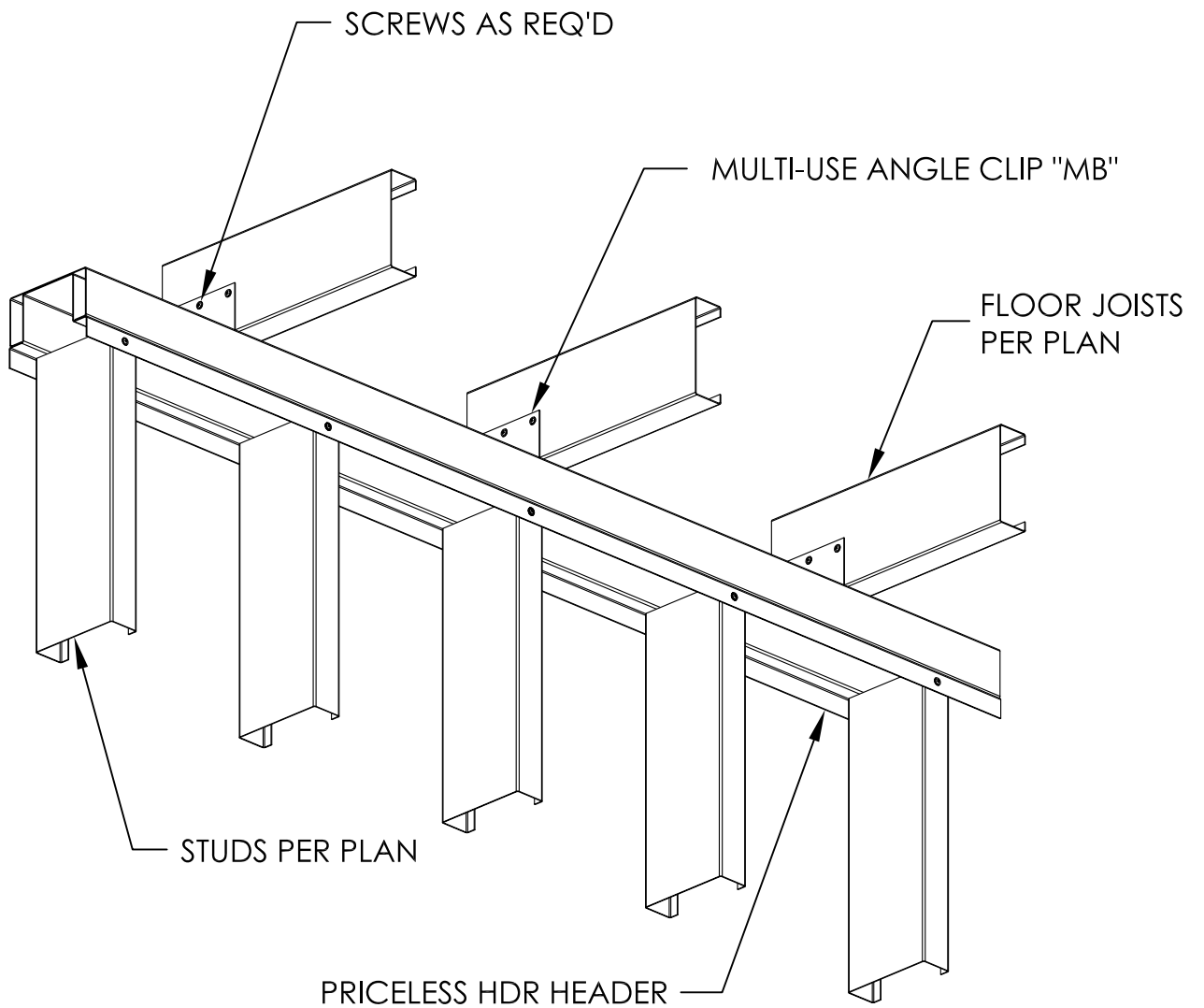
NTS



HDR-4
XX

Bearing Top Plate Detail (Truss Support)

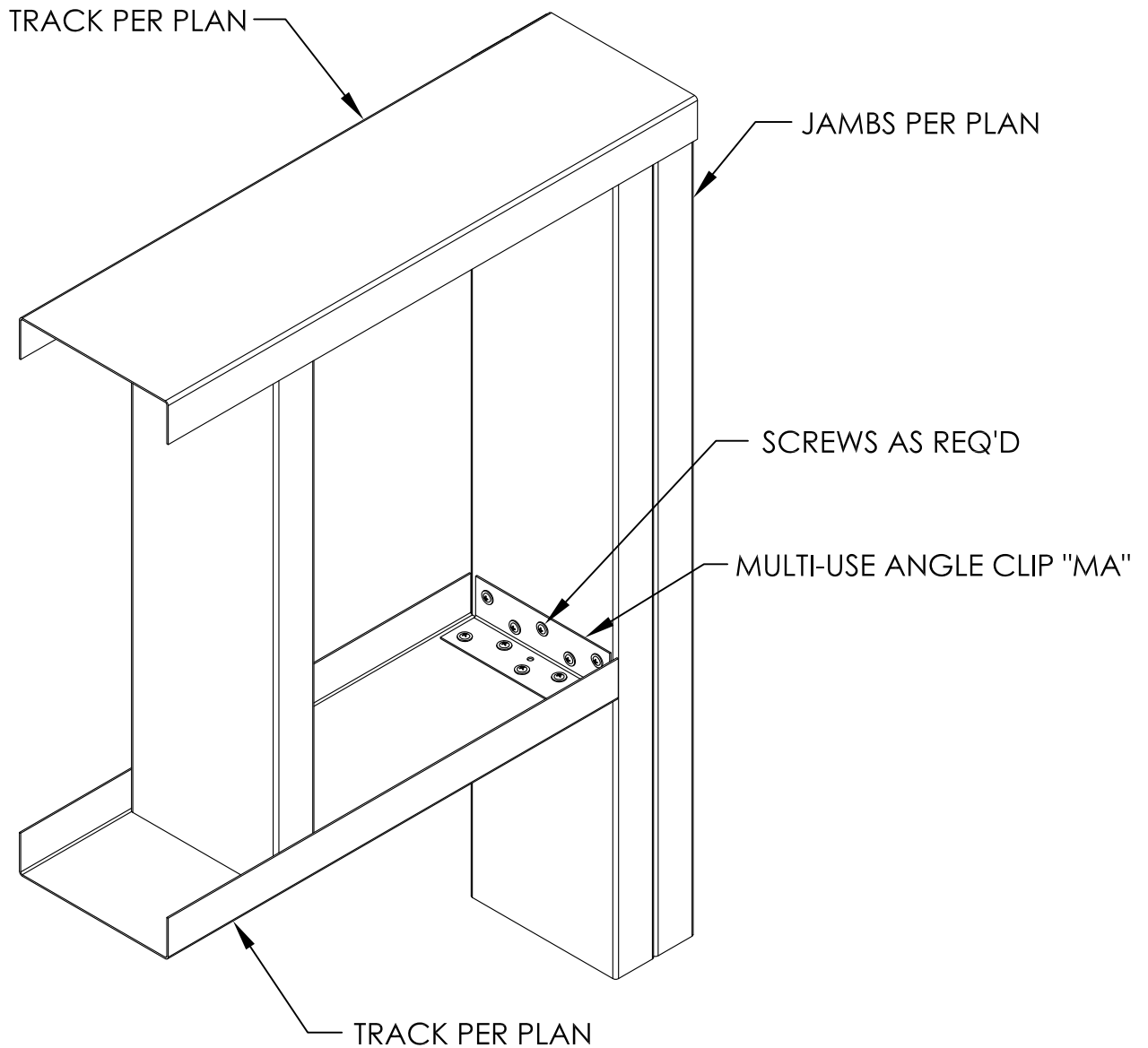
NTS



HDR-5
XX

Load Bearing Top Plate Detail (Joist Support)

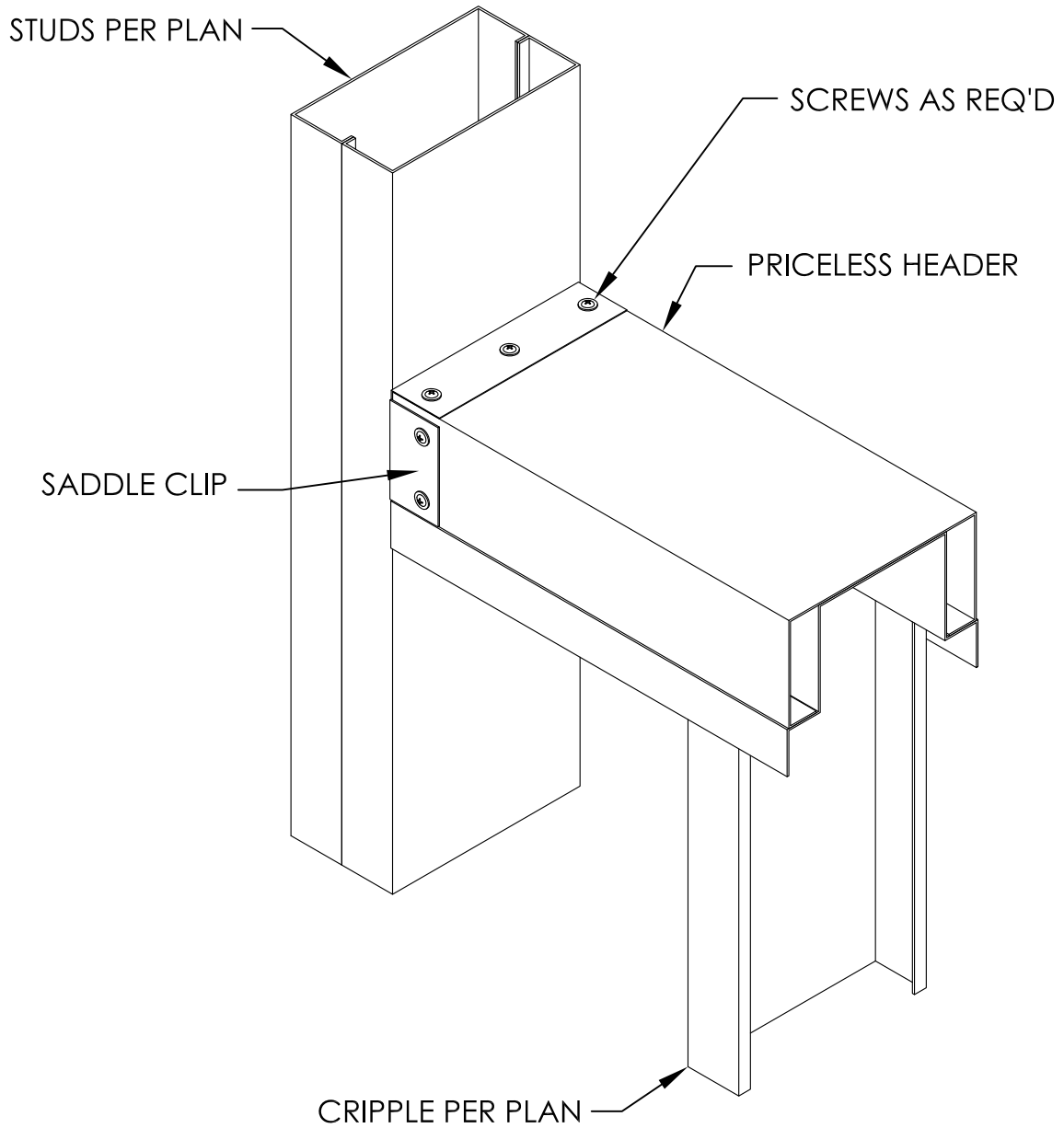
NTS



MA-1
XX

Single Track Header to Jamb Detail

NTS



SILL-2
XX

Window Sill Detail

NTS

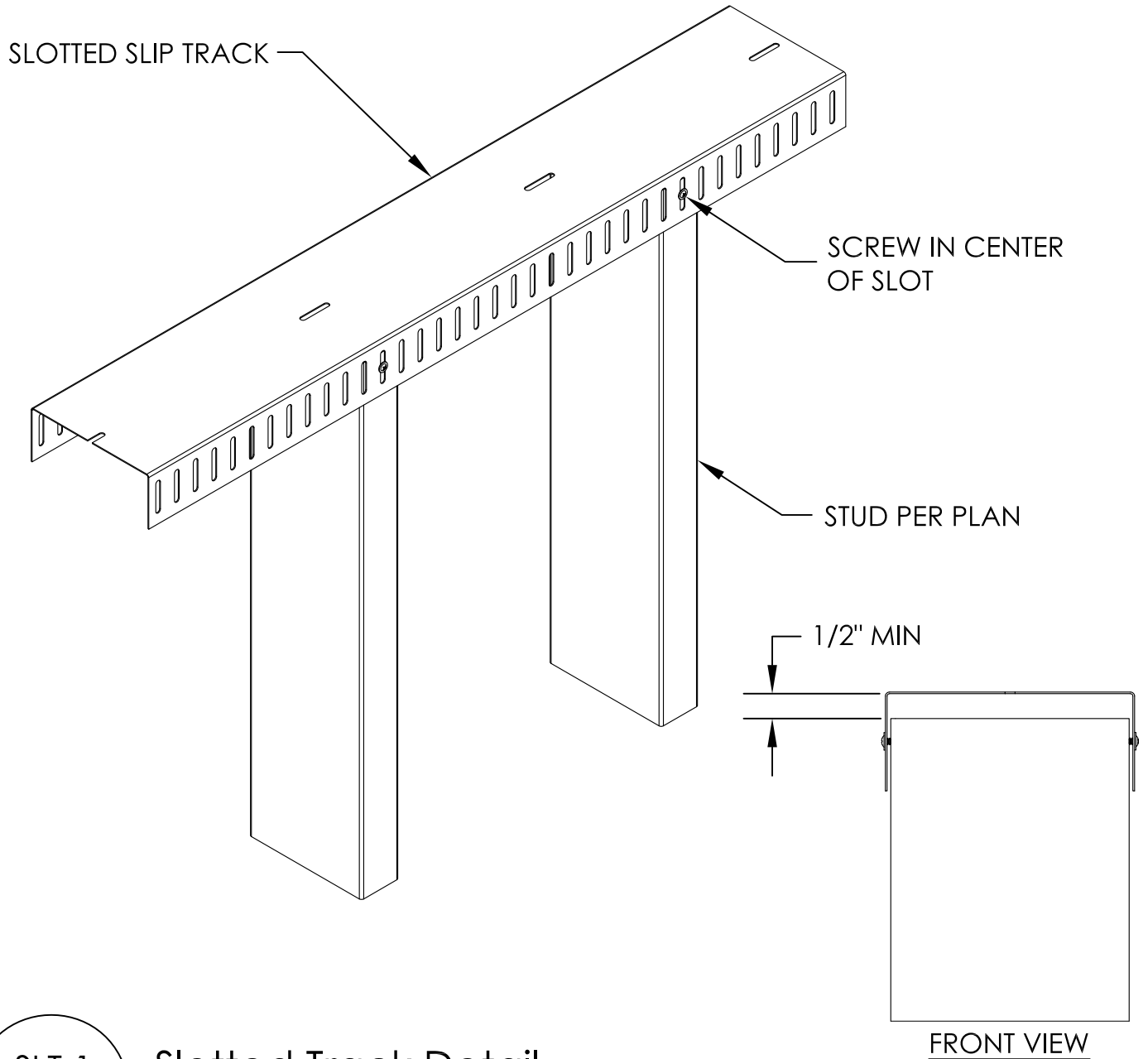


Slotted Track

Manufacturing Products for the Agriculture and Construction Industries Since 1954

Locations In: Washington • Idaho • Oregon • Montana • California • Alaska • Alberta





SLT-1
XX

Slotted Track Detail

NTS

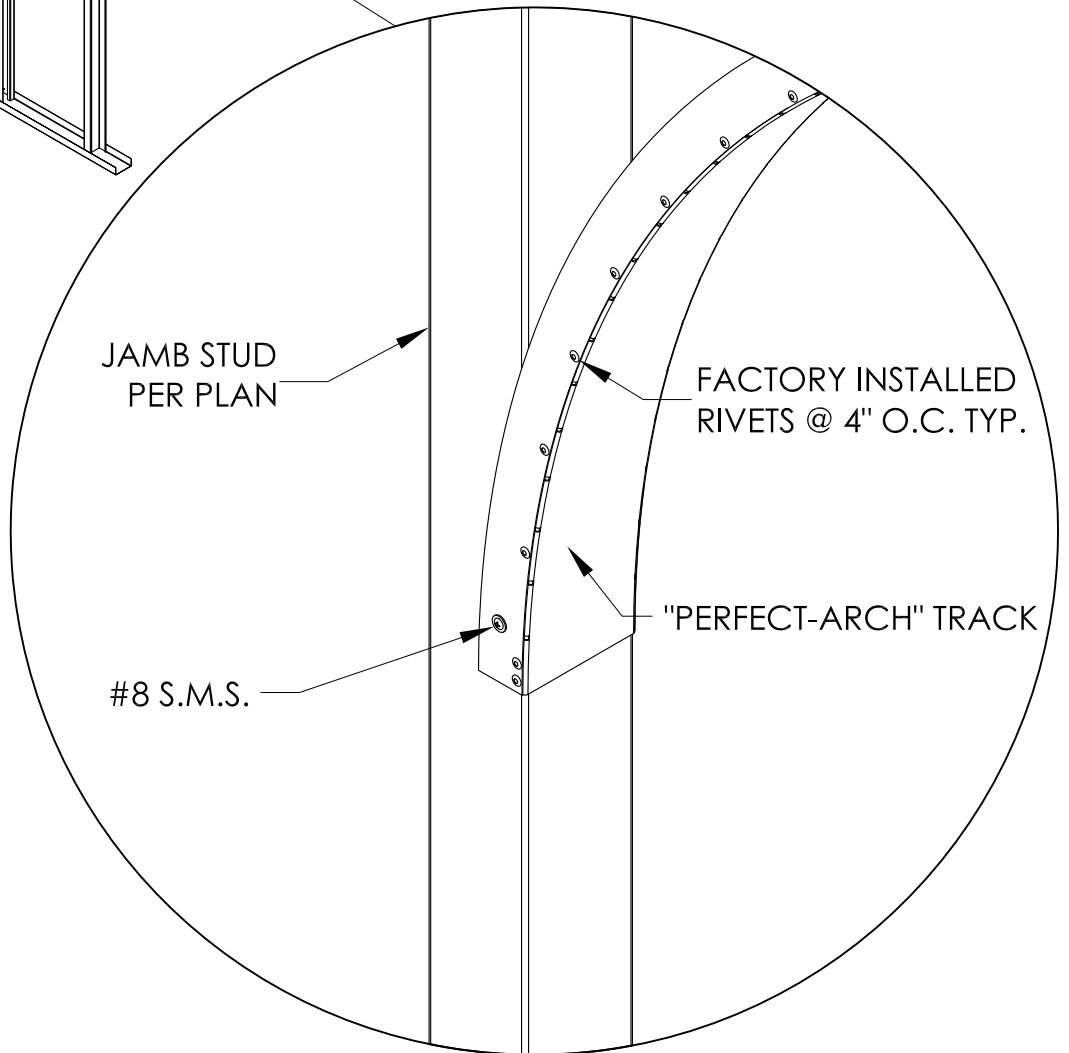
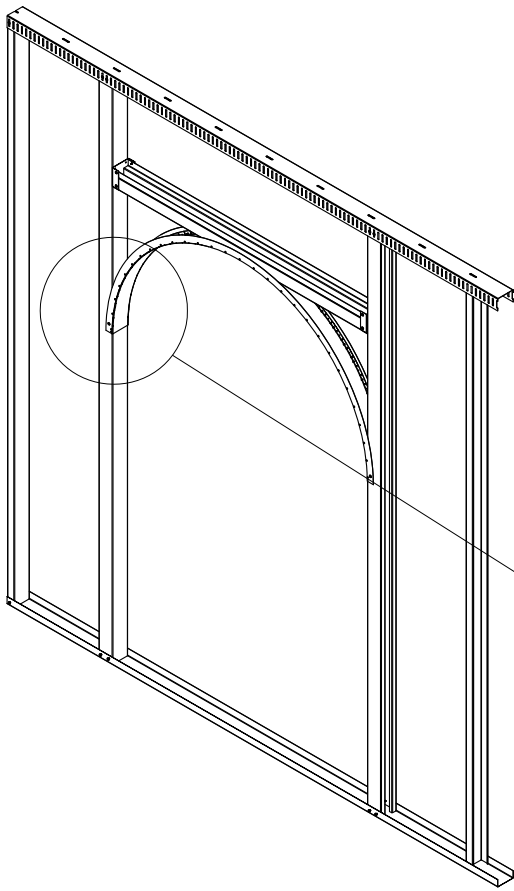


Curved Products

Manufacturing Products for the Agriculture and Construction Industries Since 1954

Locations In: Washington • Idaho • Oregon • Montana • California • Alaska • Alberta

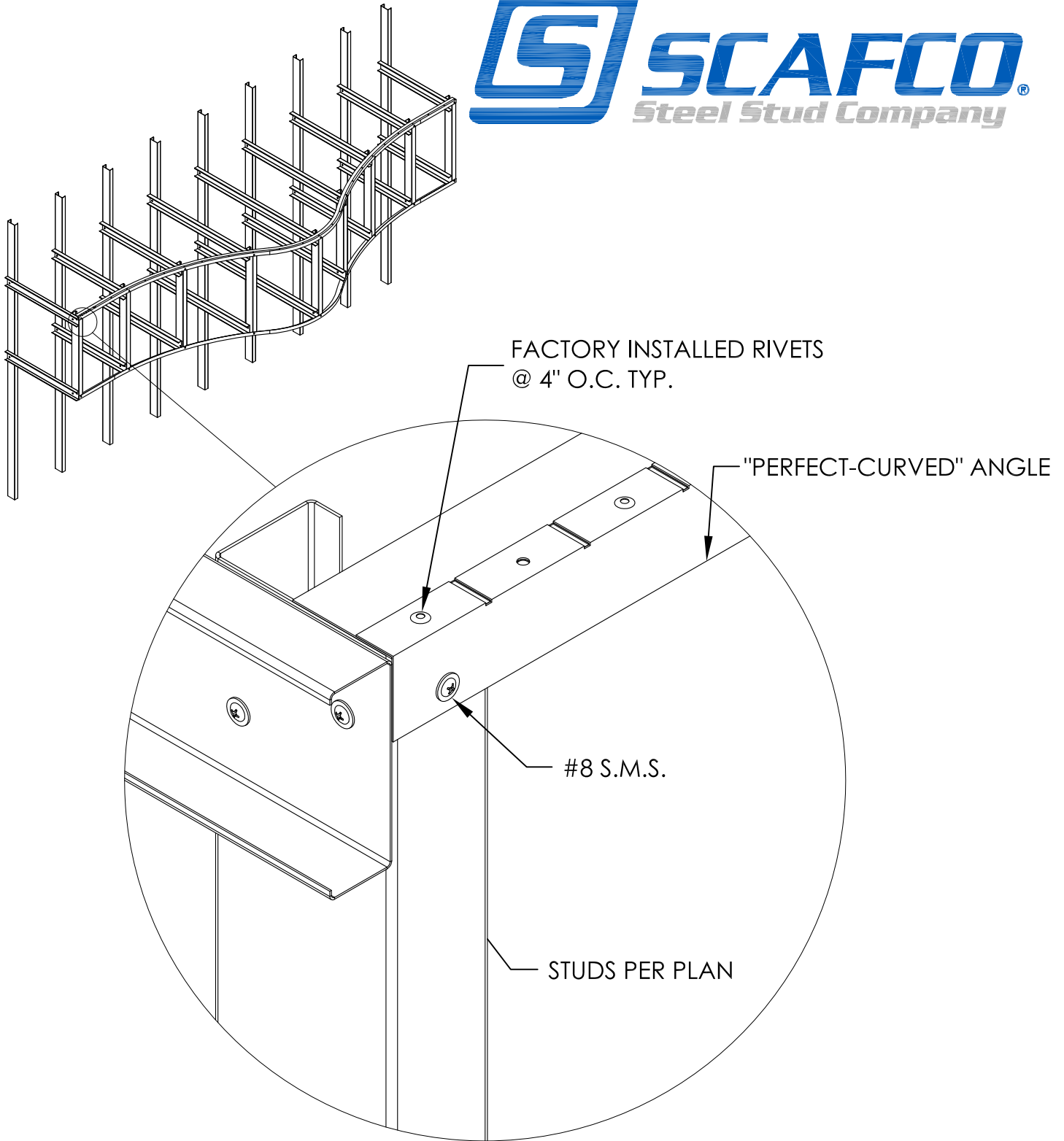




PAT-1
XX

Arched Track Entry Detail

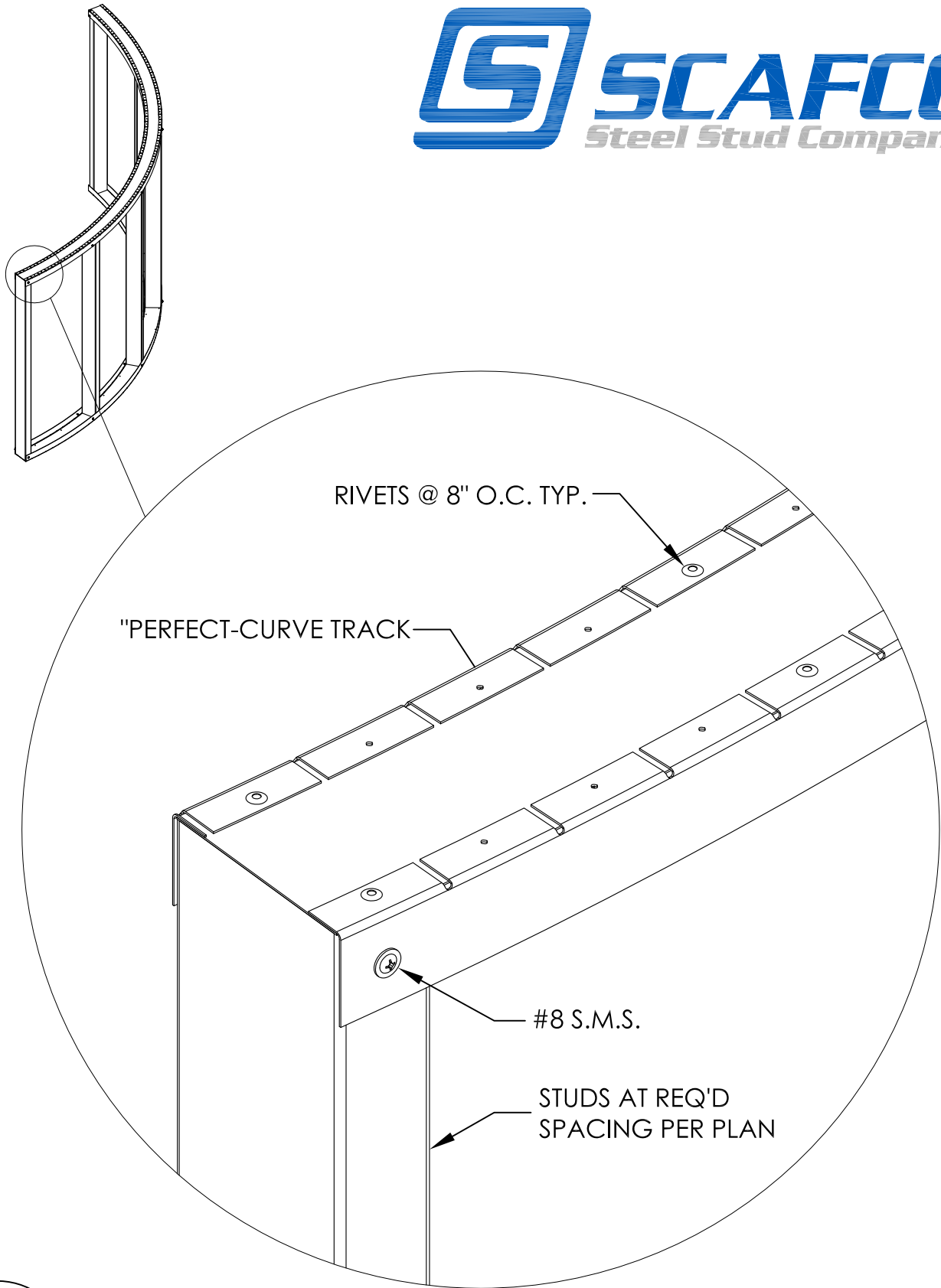
NTS



PCA-1
XX

Soffit with Curved Angle Detail

NTS



PCT-1
XX

Curved Wall Track Detail
NTS