

NEWMAR CORPORATION WARRANTY DEPARTMENT

TECHNICAL SERVICE BULLETIN

DATE ISSUED	MODEL YEAR(S) AFFECTED	TSB #		
2/18/16 revised 8/22/19	2007-2015	446		
BRAND				
Bay Star Sport <input checked="" type="checkbox"/>	Ventana <input checked="" type="checkbox"/>	Essex <input type="checkbox"/>		
Bay Star <input checked="" type="checkbox"/>	Dutch Star <input checked="" type="checkbox"/>	King Aire <input type="checkbox"/>		
Canyon Star <input checked="" type="checkbox"/>	Mountain Aire <input type="checkbox"/>	Other <input checked="" type="checkbox"/>		
Ventana LE <input checked="" type="checkbox"/>	London Aire <input type="checkbox"/>			
DESCRIPTION				
<p>Newmar Corporation has decided that a defect relating to motor vehicle safety exists in specific motor homes. NHTSA#: 16V 008 TC#: 2016-018</p> <p>Newmar Corporation has been advised by Lippert Components that on certain motorhomes using LCI Coachstep electric double or triple entrance steps, there is the potential of a structural fracture within the Lippert step assembly.</p> <p>Issue: There is the potential of a structural fracture of the center bolt of the fan gear assembly which may cause the fan gear assembly to disengage from the steps. This issue creates an unstable platform, which could cause a person to fall and result in injury.</p>				
RECOMMENDED ACTION				
<p><u>Correction:</u> Contact your Service Account Manager to obtain authorization and to order parts.</p> <table style="width: 100%; border: none;"> <tr> <td style="width: 50%; vertical-align: top;"> <p>Double Step Kit: part # 029718 Flat Rate Code: 16V 008</p> </td> <td style="width: 50%; vertical-align: top;"> <p>Triple Step Kit: part # 029719 Labor Time: Double Step .3 hr. Triple Step .5 hr.</p> </td> </tr> </table>			<p>Double Step Kit: part # 029718 Flat Rate Code: 16V 008</p>	<p>Triple Step Kit: part # 029719 Labor Time: Double Step .3 hr. Triple Step .5 hr.</p>
<p>Double Step Kit: part # 029718 Flat Rate Code: 16V 008</p>	<p>Triple Step Kit: part # 029719 Labor Time: Double Step .3 hr. Triple Step .5 hr.</p>			
<p><i>Please read this bulletin in its entirety prior to beginning any diagnosis or repairs.</i></p>				



WHEN YOU KNOW THE DIFFERENCE

NEWMAR CORPORATION

NEWMARCORP.COM

Date: February 17, 2016
Re: Newmar Corporation – Motor Vehicle Recall Notification

Subject: Recall Campaign No.: 16V 008

This notice is sent to you as a Newmar Dealer in accordance with the requirements of the National Traffic and Motor Vehicle Safety Act. Newmar Corporation has decided that a defect which relates to motor vehicle safety exists in specific Newmar recreational vehicles.

The National Traffic and Motor Vehicle Safety Act requires that each vehicle which is subject to a recall campaign of this type must be satisfactorily repaired within a reasonable time after the owner has tendered it for repair. A failure to adequately repair within 60 days after tender of a vehicle is prima facie evidence of failure to repair within a reasonable time. To avoid providing these problematic solutions, every effort must be made to promptly schedule an appointment with each owner and to repair their vehicle as soon as possible. Vehicle owners are being notified of this recall. If the condition is not remedied within a reasonable time, they are instructed on how to contact the National Highway Traffic Safety Administration.

REASON FOR THIS RECALL

Newmar Corporation has decided that a defect which relates to motor vehicle safety exists in specific motor homes.

Newmar Corporation has been advised by Lippert Components that on certain motorhomes using LCI Coachstep electric double or triple entrance steps there is the potential of a structural fracture within the Lippert step assembly. The center bolt of the fan gear assembly may cause the fan gear assembly to disengage from the steps creating an unstable platform which could cause a person to fall and result in an injury. Correction: Lippert will provide a bracket and parts kit with no charge for parts or labor.

Bay Star Sport, Bay Star, Canyon Star, Dutch Star, Dutch Aire, Kountry Star, Ventana VL and Ventana motorhomes were built between 5/29/2007 and 1/14/2015.

These motor homes require immediate service. Continued use poses a potential safety hazard.

DEALER CAMPAIGN RESPONSIBILITY

Dealers are to provide to all customers/owner vehicles the service of completing this campaign at no charge to the customer/owner regardless of vehicle age, vehicle mileage, or ownership at the time of repair.

REPAIR PROCEDURE

Please reference Lippert's double or triple entrance step work instructions enclosed.

If you should have any questions please contact the Newmar service department at: 1-866-290-5371.

Thank you for your cooperation.

Sincerely,

Newmar Corporation



WHEN YOU KNOW THE DIFFERENCE

NEWMAR CORPORATION

NEWMARCORP.COM

Date: February 15, 2016
Re: Newmar Corporation – Motor Vehicle Recall Notification

Subject: Recall Campaign No.: 2016-018

This notice is sent to you as a Newmar Dealer in accordance with the requirements of the Canada Motor Vehicle Safety Act. Newmar Corporation has decided that a defect which relates to motor vehicle safety exists in specific Newmar recreational vehicles.

Each vehicle which is subject to a recall campaign of this type must be satisfactorily repaired within a reasonable time after the owner has tendered it for repair. A failure to adequately repair within 60 days after tender of a vehicle is prima facie evidence of failure to repair within a reasonable time. To avoid providing these problematic solutions, every effort must be made to promptly schedule an appointment with each owner and to repair their vehicle as soon as possible. Vehicle owners are being notified of this recall. If the condition is not remedied within a reasonable time, they are instructed to contact Transport Canada.

REASON FOR THIS RECALL

Newmar Corporation has decided that a defect which relates to motor vehicle safety exists in specific motor homes.

On certain motorhomes equipped with Lippert Components Inc. electric entry steps, an internal bolt on the steps that attaches the fan gear assembly to the steps could fracture. This results in the fan gear disengaging from the steps, which could cause the steps to stop in an unexpected position and appear to be loose or unstable. If the steps become unstable, it could cause a person to fall, resulting in injury. Correction: Dealers will install a step retainer bracket to reinforce the operating mechanism, and all bolts of the mechanism will also be replaced.

These motor homes require immediate service. Continued use poses a potential safety hazard.

This recall applies to certain Newmar motorhomes built between 05/29/2007 and 01/12/2015.

DEALER CAMPAIGN RESPONSIBILITY

Dealers are to provide to all customers/owner vehicles the service of completing this campaign at no charge to the customer/owner regardless of vehicle age, vehicle mileage, or ownership at the time of repair.

REPAIR PROCEDURE

Please reference Lippert's double or triple entrance step work instructions enclosed. Contact LCI's Service Department at 574-537-8900 ext.2 or email:warranty@lci.com.

If you should have any questions please contact the Newmar service department at: 1-866-290-5371.

Thank you for your cooperation.

Sincerely,

Newmar Corporation



COACHSTEP DOUBLE STEP RECALL REPAIR INSTRUCTIONS

RECALL# 15E-078

LABOR FLAT RATE: 0.3 HOURS

Purpose

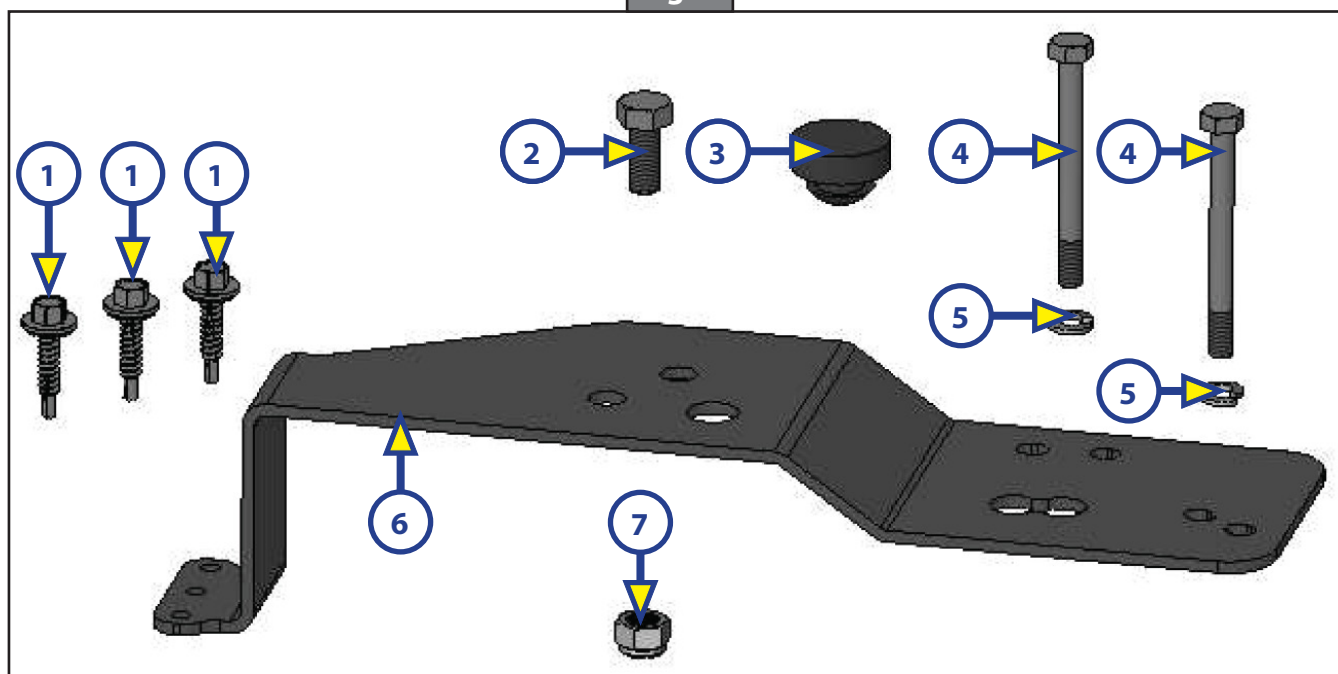
The intent of this document is to provide instructions for the installation of the Coachstep retainer bracket on double step assemblies.

Preparation

Tools and Hardware Required

- Cordless or Power Drill or Impact Wrench
- 1/8" Metal Drill Bit
- 5/16" Nut Driver Bit or Socket
- 10mm Wrench or Socket
- 2 x 1/2" Wrench or 1 x 1/2" Wrench and 1 x 1/2" Socket
- Coachstep Double Step Recall Parts Kit - P/N 389761 (Fig. 1)
- Jack Stand

Fig. 1



Callout	Part #	Description	Quantity
1	181351	Screw - #12 x 1 Hex Head Washer Tek Screw w/ B/S Washer, Zinc Plated	3
2	125557	Bolt - 5/16 - 18 x 3/4	1
3	163492	Rubber Bumper .70 x 1	1
4	183925	Bolt - 6mm - #10 x 63.5mm Hex Cap Screw GR5 Zinc	2
5	165216	Lock Washer - 6mm Zinc	2
6	386819	Retainer Bracket 11 Gauge	1
7	118043	Nut - 5/16 - 18 Nylock ZN ST	1

COACHSTEP DOUBLE STEP RECALL REPAIR INSTRUCTIONS

1. Fully extend the steps (until the motor stops).
2. Place a jack stand under the bottom step to prevent any potential attempt for automatic retraction.
3. Disconnect the power supply (4-prong connector- Fig. 2A) after extending.

NOTE: Jack stand may be removed once power supply is disconnected.

4. Remove the two motor housing bolts and lock washers (Fig. 3A). The lock washers are shown on the motor housing bolts in the images.

Fig. 2

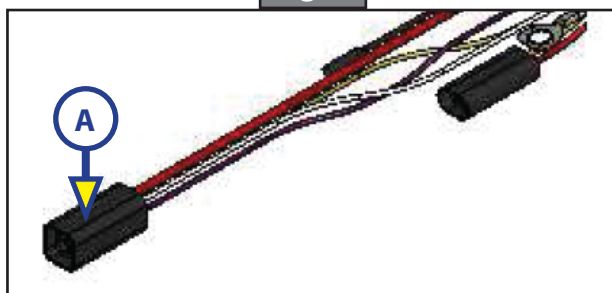


Fig. 3 - Detail

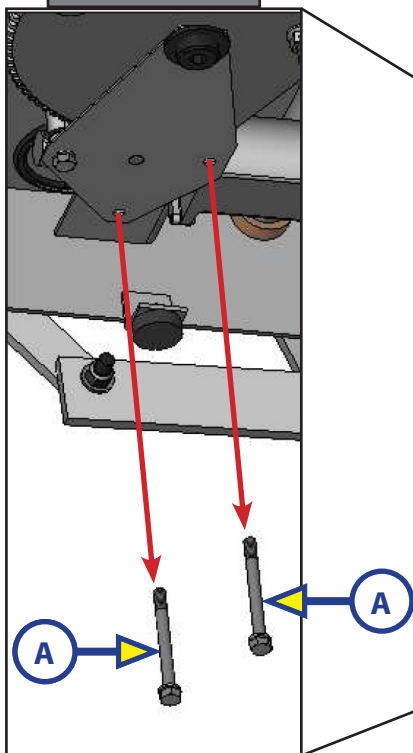
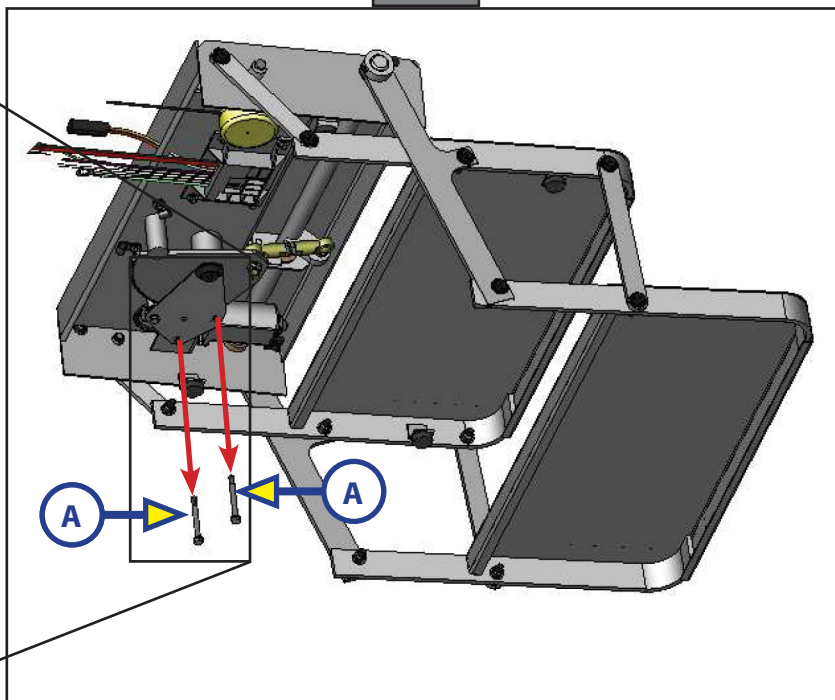


Fig. 3

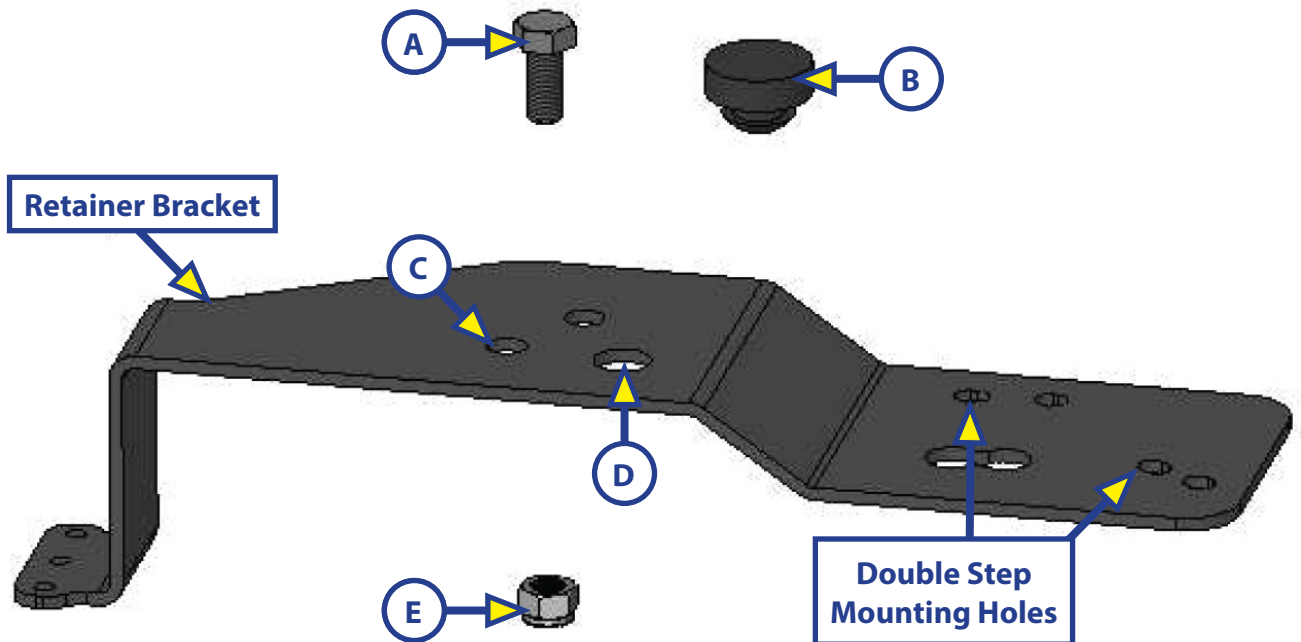


Procedure

Assembling the Retainer Bracket

1. Install the $\frac{5}{16}$ - 18 x $\frac{3}{4}$ " bolt (Fig. 4A) into the appropriate hole in the retainer bracket (Fig. 4C).
2. Tighten the lock nut (Fig. 4E) onto the bolt (Fig. 4A) until the lock nut contacts the retainer bracket.
3. Install the rubber bumper (Fig. 4B) into the hole in the retainer bracket (Fig. 4D).

Fig. 4



Installing the Retainer Bracket Assembly

1. Clean any dirt or debris from the hex socket on the fan gear shoulder bolt (if necessary) (Fig. 5G).
2. Ensure that all the motor mount spacers (6 total - Fig. 5H) are still in place.
3. Insert the $\frac{5}{16}$ - 18 x $\frac{3}{4}$ " bolt (Fig. 5D) directly into the hex socket of the fan gear shoulder bolt (Fig. 5G).
4. Install the 6mm - 10 x 63.5 mm bolts and 6 mm lock washers (Fig. 5E) through the appropriate mounting holes in the retainer bracket and into the motor housing.

NOTE: If alignment issues for the mounting bolts arise, loosen the lock nut on the $\frac{5}{16}$ - 18 x $\frac{3}{4}$ " bolt (Fig. 5D) to allow the bolt to slide within its oversized hole. Once the mounting bolts are properly aligned, re-tighten the lock nut.

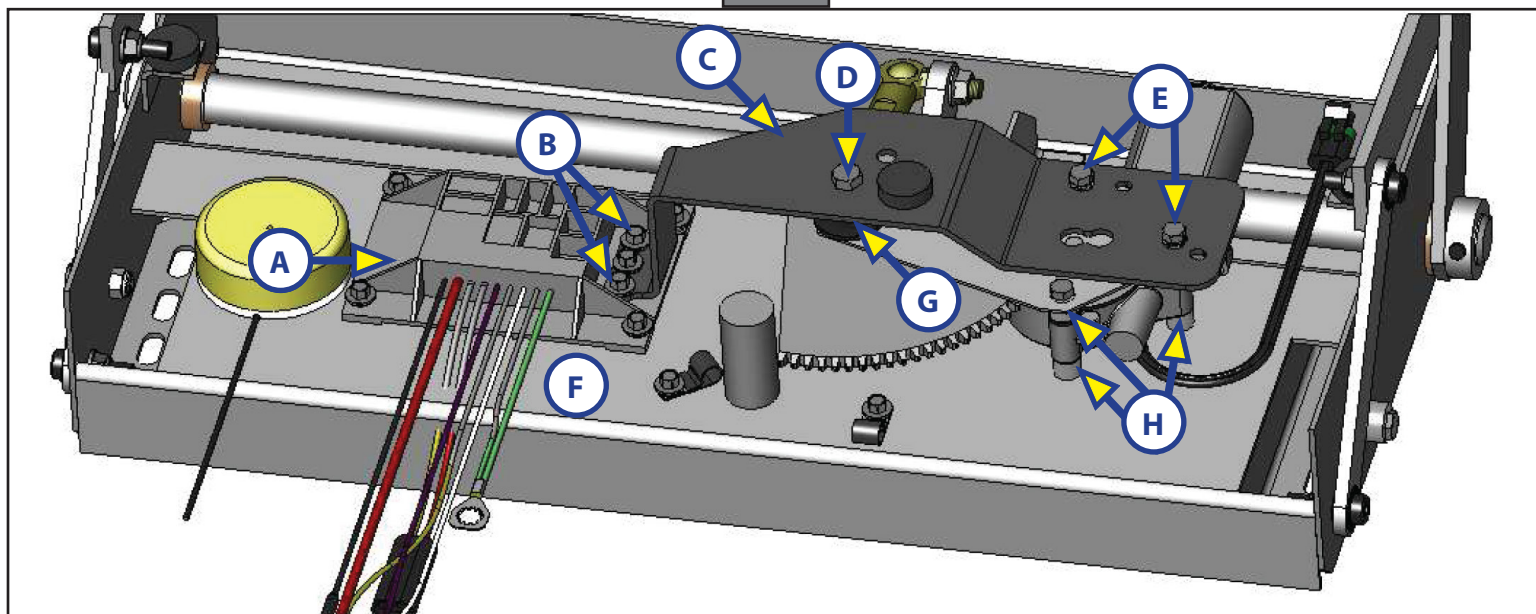
5. Install 3 tek screws (Fig. 5B) through the retainer bracket (Fig. 5C) and control box flange (Fig. 5A), and into the step housing (Fig. 5F) to secure that end of the retainer bracket.

NOTE: Pre-drilling $\frac{1}{8}$ " pilot holes prior to installing the tek screws may help simplify the installation.

6. Tighten the screw until the retainer bracket is flush with the control box flange and the foam washers on the tek screws begin to compress.

NOTE: Be sure to apply proper pressure and drill rotation speed on the drill to avoid stripping the self-drilling threads on the tek screws.

Fig. 5



7. Place a jack stand under the bottom step to prevent any potential attempt for automatic retraction.
8. Reconnect the 4-prong connector from the motor control box (Fig. 2A) to the coach power supply.
9. After moving safely away from underneath the motorized steps, remove the jack stand and test the steps for full operation via the standard operation of the coach.



COACHSTEP TRIPLE STEP RECALL REPAIR INSTRUCTIONS

RECALL# 15E-078

LABOR FLAT RATE: 0.5 HOURS

Purpose

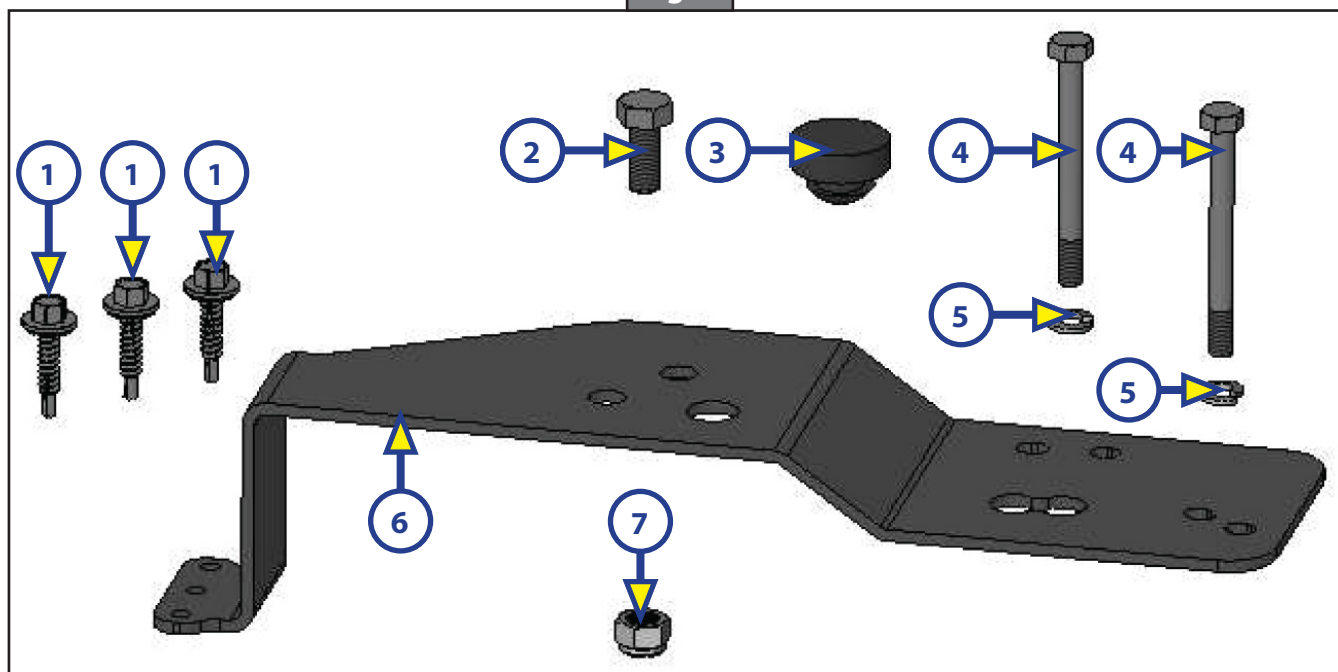
The intent of this document is to provide instructions for the replacement of the Coachstep Linkage Assembly and the installation of the Coachstep retainer bracket on triple step assemblies.

Preparation

Tools and Hardware Required

- Cordless or Power Drill or Impact Wrench
- 1/8" Metal Drill Bit
- 5/16" Nut Driver Bit or Socket
- 10mm Wrench or Socket
- Reversing Rocker Switch
- Coachstep Triple Step Recall Parts Kit - P/N 389152 (Figs. 1 & 2)
- Jack Stand
- 12 Volt Power Supply
- 2 x 1/2" Wrench or 1 x 1/2" Wrench and 1 x 1/2" Socket
- 2 x 5/16" Wrench or 1 x 5/16" Wrench and 1 x 5/16" Socket
- Torque Wrench

Fig. 1



Callout	Part #	Description	Quantity
1	181351	Screw - #12 x 1 Hex Head Washer Tek Screw w/ B/S Washer, Zinc Plated	3
2	125557	Bolt - 5/16 - 18 x 3/4	1
3	163492	Rubber Bumper .70 x 1	1
4	183925	Bolt - 6mm - #10 x 63.5mm Hex Cap Screw GR5 Zinc	2
5	165216	Lock Washer - 6mm Zinc	2
6	386819	Retainer Bracket 11 Gauge	1
7	118043	Nut - 5/16 - 18 Nylock ZN ST	1

Fig. 2

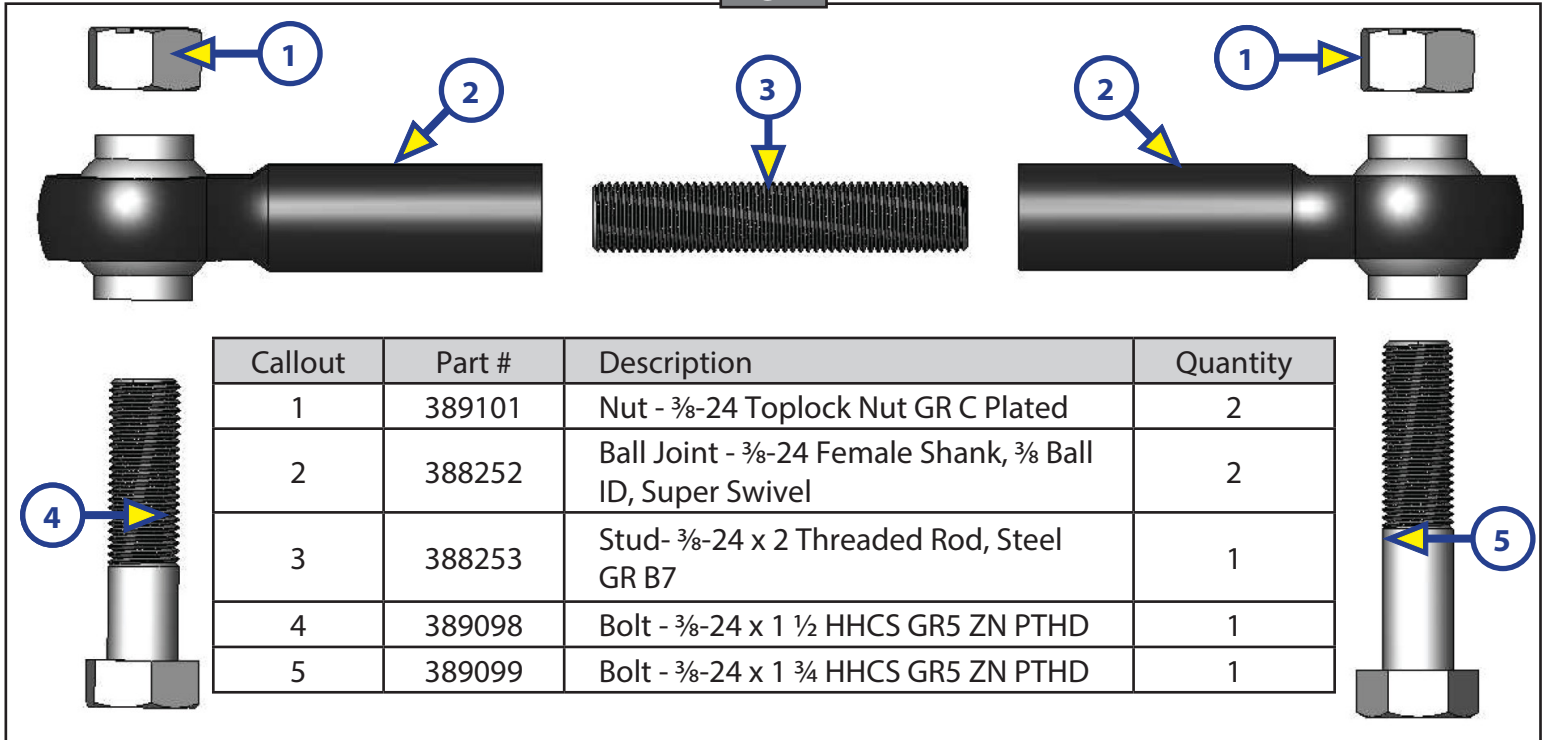


Fig. 3

Linkage Replacement Procedure

1. Fully extend the step (until the motor stops).
2. Disconnect the power supply (4-prong connector) (Fig. 3A) and the motor-to-control connector (2-prong connector) (Fig. 3B) after extending.



3. Position a jack stand (or equivalent support mechanism) under the bottom step so that the extended steps will be supported after the linkage assembly is removed (Fig. 4A).
4. Connect the motor (2-prong male connector) (Fig. 5A) directly to a 12 volt power supply (Fig. 5C) with a reversing rocker switch (Fig. 5B).

Fig. 4

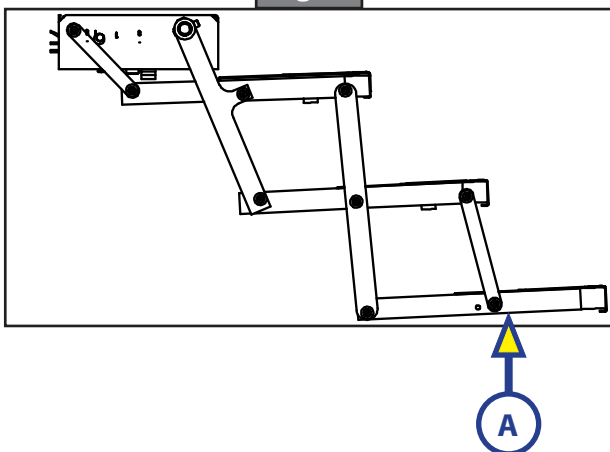
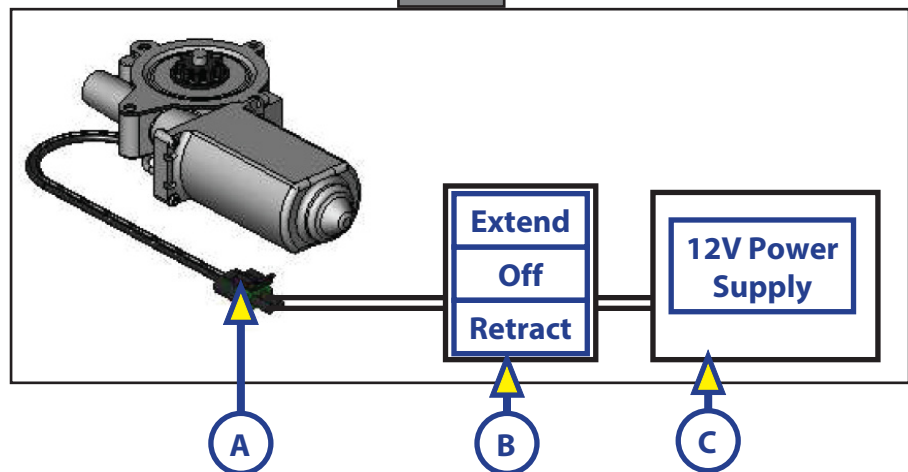


Fig. 5



- Uninstall and remove the linkage assembly (Fig. 6A) using a $\frac{9}{16}$ " wrench or socket and a $\frac{1}{2}$ " wrench.

CAUTION

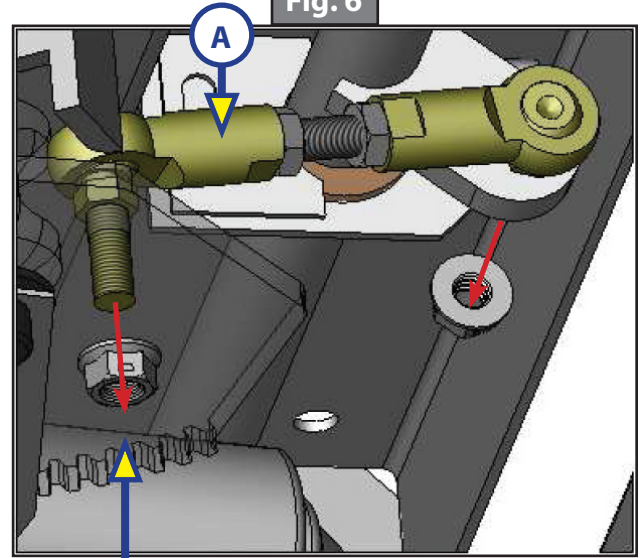
Ensure that the jack stand(s) is securely placed under the bottom step prior to removing the linkage. The steps will be able to rotate freely after linkage removal which could cause serious personal injury or damage to the coach.

NOTE: If the linkage cannot be fully removed from the assembly, adjust the jack stand(s) to allow a minimal amount of retraction and then extend and retract the motor controls as necessary to help free the linkage.

- Once the linkage is removed, run the motor to full extension.
- Adjust the jack stand(s) if necessary to ensure that the steps remain fully extended until the new linkage is installed.
- Install the new linkage (Fig. 7B) to the fan gear first with a $1\frac{1}{2}$ " bolt (Fig. 7C) and toplock nut (Fig. 7A).

- Adjust the linkage length as necessary until the $1\frac{3}{4}$ " bolt can be inserted through both the linkage end and the shaft leaf. (Fig. 8).

Fig. 6



Fan gear shown transparent to show detail.

Fig. 7

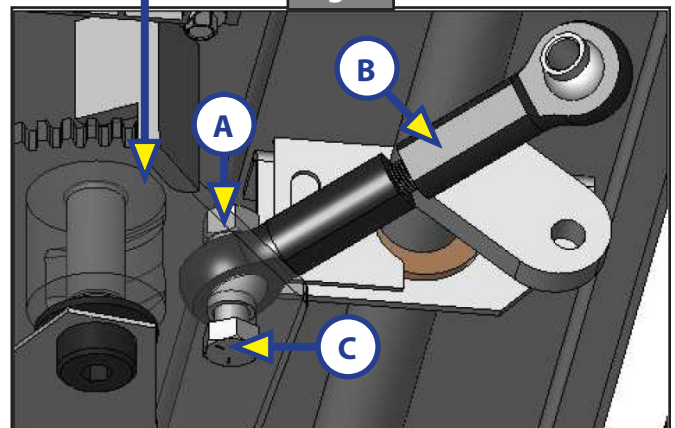
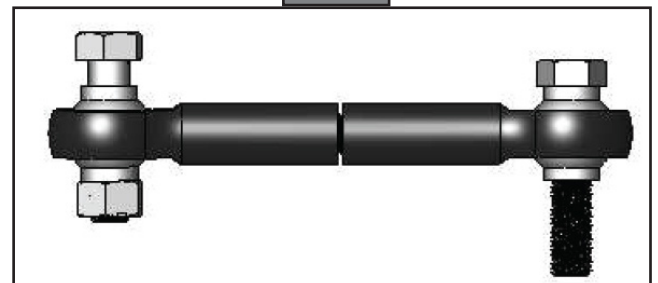


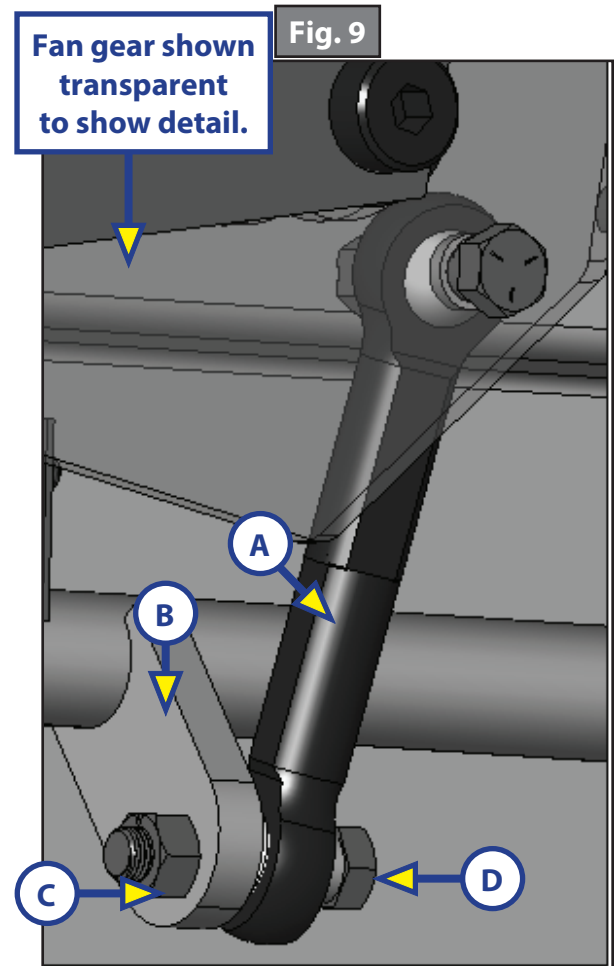
Fig. 8



10. Install the other half of the linkage (Fig. 9A) to the shaft leaf (Fig. 9B) with the 1 3/4" bolt (Fig. 9D) and toplock nut (Fig. 9C).

NOTE: Manually extend or retract the fan gear as needed to align the linkage end with the shaft leaf through-hole. Steps should remain at full extension while supported by the jack stand(s).

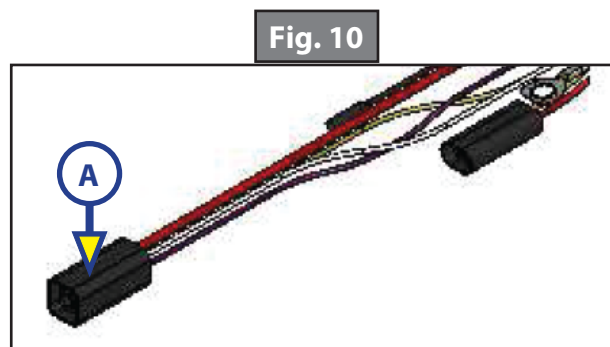
11. Tighten the nuts on both linkage ends to 26 ft-lbs of torque.
12. After moving safely away from underneath the motorized steps, remove the jack stand(s) and test the assembly for proper extension and retraction, using the reversing rocker switch. Replace the jack stand(s) under the bottom step once the testing is complete.
13. Disconnect the 2-prong motor connector from the manual 12 volt power supply and reconnect to the motor control box.
14. Reconnect the 4-prong connector from the motor control box to the coach power supply. Ensure that jacks stand(s) is placed appropriately to stop any potential attempt for automatic retraction.
15. After moving safely away from underneath the motorized steps, remove the jack stand(s) and test the steps for full operation via the standard operation of the coach.



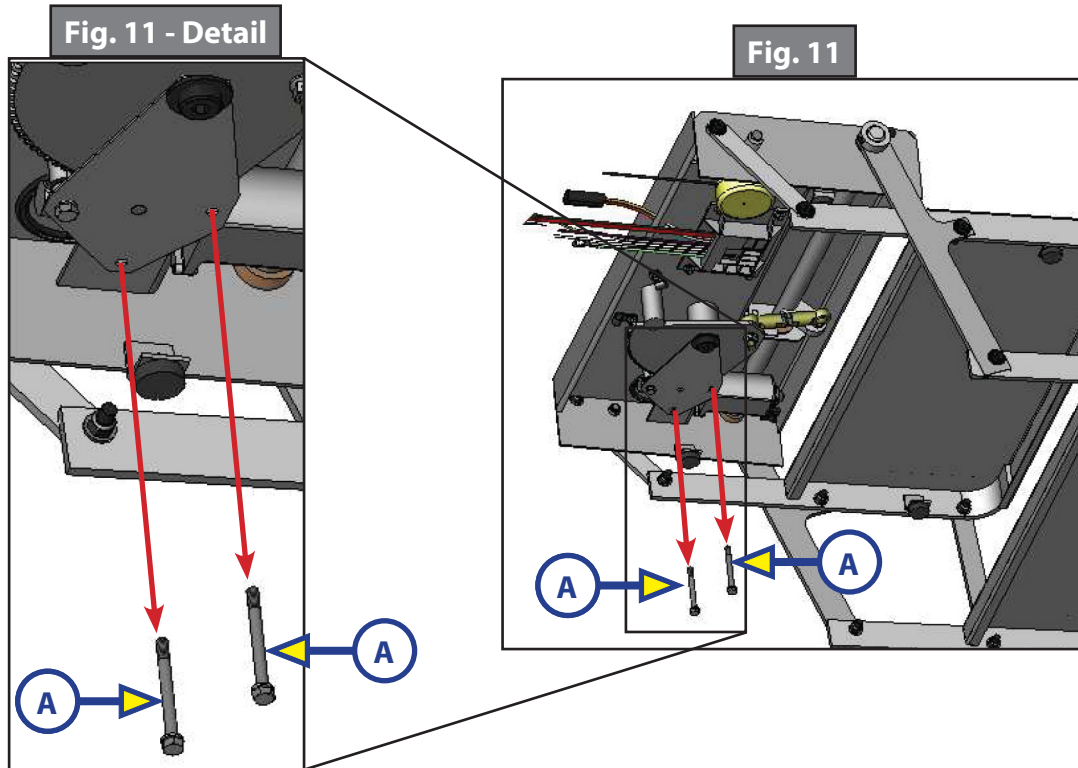
Retainer Bracket Installation

1. Fully extend the steps (until the motor stops).
2. Place a jack stand under the bottom step to prevent any potential attempt for automatic retraction.
3. Disconnect the power supply (4-prong connector- Fig. 10A) after extending.

NOTE: Jack stand may be removed once power supply is disconnected.

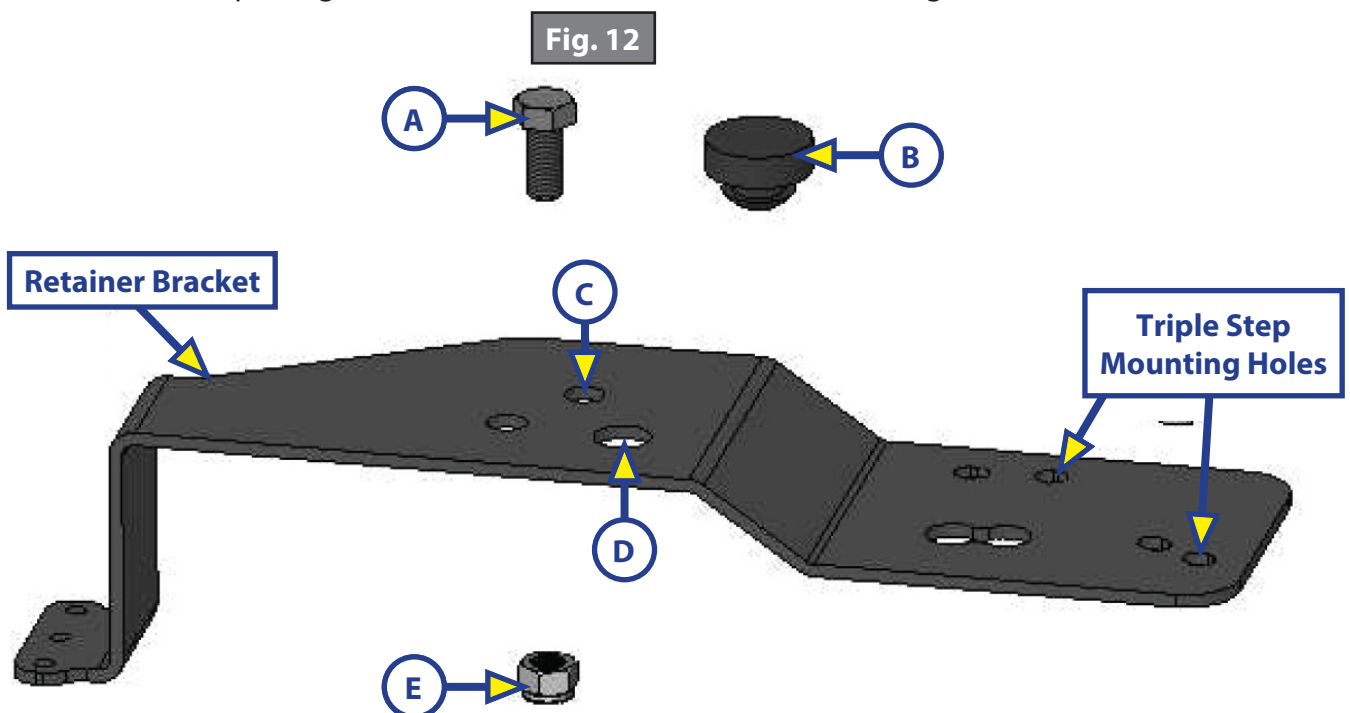


4. Remove the two motor housing bolts and lock washers (Fig. 11A). The lock washers are shown on the motor housing bolts in the images.



Assembling the Retainer Bracket

1. Install the $\frac{5}{16}$ - 18 x $\frac{3}{4}$ " bolt (Fig. 12A) into the appropriate hole in the retainer bracket (Fig. 12C).
2. Tighten the lock nut (Fig. 12E) onto the bolt (Fig. 12A) until the lock nut contacts the retainer bracket.
3. Install the rubber bumper (Fig. 12B) into the hole in the retainer bracket (Fig. 12D).



Installing the Retainer Bracket Assembly

1. Clean any dirt or debris from the hex socket on the fan gear shoulder bolt (if necessary) (Fig. 13G).
2. Ensure that all the motor mount spacers (6 total - Fig. 13H) are still in place.
3. Insert the $\frac{5}{16}$ - 18 x $\frac{3}{4}$ " bolt (Fig. 13D) into the hex socket of the fan gear shoulder bolt (Fig. 13G).
4. Install the 6mm - 10 x 63.5 mm bolts and 6 mm lock washers (Fig. 13E) through the appropriate mounting holes in the retainer bracket and into the motor housing.

NOTE: If alignment issues for the mounting bolts arise, loosen the lock nut on the $\frac{5}{16}$ - 18 x $\frac{3}{4}$ " bolt (Fig. 13D) to allow the bolt to slide within its oversized hole. Once the mounting bolts are properly aligned, re-tighten the lock nut.

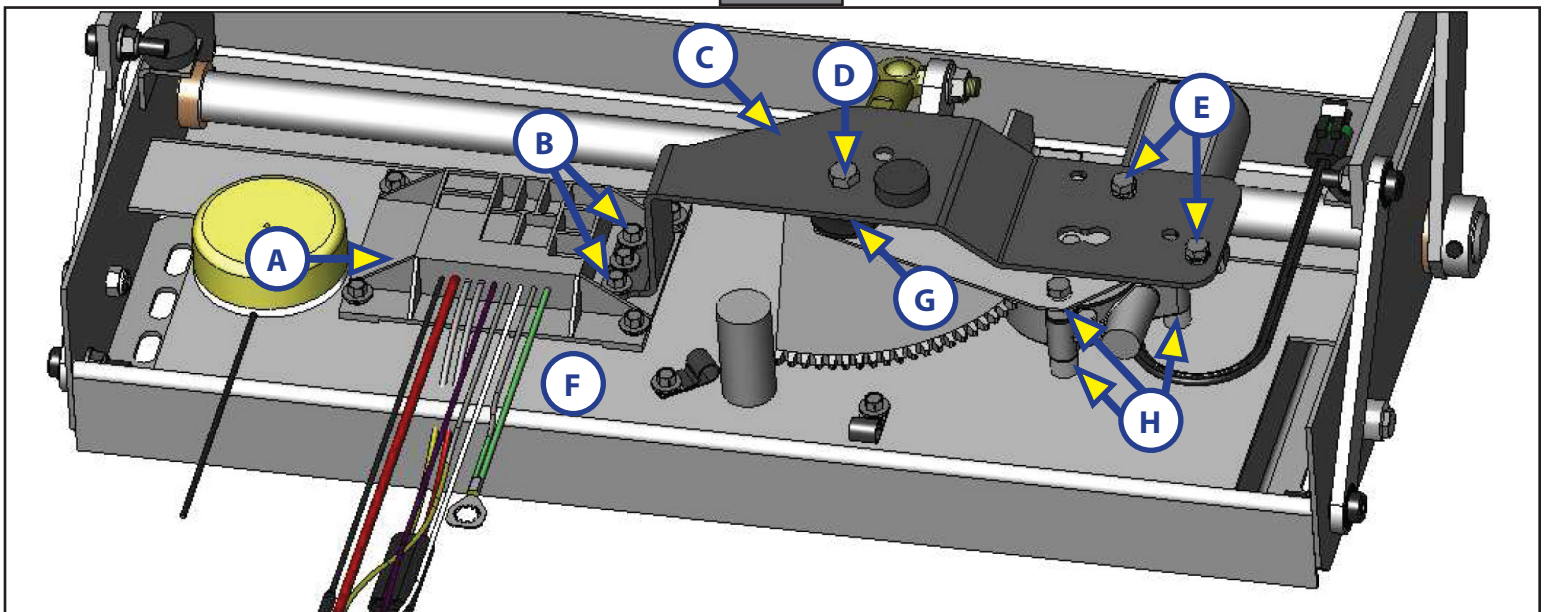
5. Install 3 tek screws (Fig. 13B) through the retainer bracket (Fig. 13C) and control box flange (Fig. 13A), and into the step housing (Fig. 13F) to secure that end of the retainer bracket.

NOTE: Pre-drilling $\frac{1}{8}$ " pilot holes prior to installing the tek screws may help simplify the installation.

6. Tighten the screw until the retainer bracket is flush with the control box flange and the foam washers on the tek screws begin to compress.

NOTE: Be sure to apply proper pressure and drill rotation speed on the drill to avoid stripping the self-drilling threads on the tek screws.

Fig. 13



7. Place a jack stand under the bottom step to prevent any potential attempt for automatic retraction.
8. Reconnect the 4-prong connector from the motor control box (Fig. 10A) to the coach power supply. Ensure that jacks stand(s) is placed appropriately to stop any potential attempt for automatic retraction.
9. After moving safely away from underneath the motorized steps, remove the jack stand(s) and test the steps for full operation via the standard operation of the coach.

Floor																				
Prod #	VIN Number	Year	Brand	Type	Plan	Chass	Date In Prod	Date Off Prod	Dir Name Shipped	Sold to add 1	Sold to add 2	Sold to city	State	Zip	Account name	Address line 1	City	State	Zip Code	
110157	1F6MFS3Y570A03990	2008	BS	CA	2901	F	6/11/2007	6/21/2007	RV AMERICA	3640 CHAMBERS ROAD		AURORA	CO	80011	TARWATER DAVE	28371 EVERGREEN DR	CONIFER	CO	80433	
110158	1F6NF53Y660A16993	2008	BS	CA	3202	F	6/7/2007	6/19/2007	RV AMERICA	3640 CHAMBERS ROAD		AURORA	CO	80011	ALFORD CAROL R	5324 FOSSIL CREEK DR	FORT COLLINS	CO	80526	
110159	1F6NF53Y060A16178	2008	BS	CA	3304	F	5/30/2007	6/7/2007	GUARANTY RV	20 HWY 99 SOUTH	PO BOX 279	JUNCTION CITY	OR	97448	PIERCE HARVEY	31981 HERMAN RD	EUGENE	OR	97408	
110163	1F6NF53Y960A16177	2008	BS	CA	3202	F	5/30/2007	6/7/2007	PARKVIEW	PARKVIEW AUTO & TRAILER SALES INC	5511 DUPONT PARKWAY	SMYRNA	DE	19977	WENGER ROBERT	323 ELMER CIRCLE	READING	PA	19605	
110164	1F6NF53Y260A16179	2008	BS	CA	3102	F	5/30/2007	6/11/2007	MIDWAY	5590 S DIVISION AVE		GRAND RAPIDS	MI	49548	ALLSHOUSE THOMAS	1808 FLORES MILL DR NE	GRAND RAPIDS	MI	49548	
110165	1F6NF53Y460A16992	2008	BS	CA	3202	F	6/1/2007	6/13/2007	WILKINS	7520 STATE ROUTE 415		BATH	NY	14810	SIBLY JOHN B	790 STATE ROUTE 118	BENTON	PA	17814	
110166	1F6MFS3Y270A03638	2008	BS	CA	2901	F	6/4/2007	6/13/2007	MOUNTAIN ROAD	JOHN R GREEN	31 MOUNTAIN ROAD	SABATTUS	ME	04280	MAY KEITH	43 NORTHDRIVE RD	LINCOLNVILLE	ME	4849	
110167	1F6NF53Y860A16994	2008	BS	CA	3202	F	6/14/2007	6/26/2007	GUARANTY RV	20 HWY 99 SOUTH	PO BOX 279	JUNCTION CITY	OR	97448	DIDIO JOSEPH S	1700 S 1ST AVE, SUITE 200	YUMA	AZ	85364	
110168	1F6MFS3Y270A04921	2008	BS	CA	2901	F	7/23/2007	8/1/2007	ALOHA	8300 PAN AMERICAN FWY NE STE A		ALBUQUERQUE	NM	87113	BEASLEY RICHARD R	12425 REGENT AVE N	ALBUQUERQUE	NM	87112	
110169	1F6MFS3Y970A03989	2008	BS	CA	2901	F	6/21/2007	7/16/2007	TOM SCHAEFFERS	TRAVEL CENTER INC	1236 POTTSVILLE PIKE	SHOEMAKERSVILLE	PA	19555	FOSTER RUSSELL E	3157 NEW SMITHVILLE RD	KUTZTOWN	PA	19530	
110170	1F6NF53YX60A16995	2008	BS	CA	2901	F	6/21/2007	7/16/2007	DAVES RV	SIMSO DAVID W	2 INDUSTRIAL PARK PLAZA	DANBURY	CT	06810	KING WILLIAM S	26 WAYSIDE LANE	REDDING	CT	6896	
110171	1F6MFS3Y770A03991	2008	BS	CA	2701	F	6/11/2007	7/23/2007	OLYMPIC RV	LEWIS ST TRAILER SALES INC	22 GILBERT ROAD	SEQUIM	WA	98382						
110172	1F6NF53Y160A16996	2008	BS	CA	3201	F	6/27/2007	7/19/2007	COACHLIGHT	5327 S GARRISON AVE		CARTHAGE	MO	64836	CASE MARVIN M	409 N W WOODS CHAPEL RD	LEE'S SUMMIT	MO	64064	
110173	1F6MFS3Y470A05326	2008	BS	CA	2901	F	8/1/2007	8/14/2007	USRV INC	USRV INC.	137 MYRICKS ST.	BERKLEY	MA	02779	GROSS RICHARD	120 PURCHASE ST	MIDDLEBORO	MA	2360	
110174	1F6NF53Y360A16997	2008	BS	CA	3304	F	7/19/2007	7/31/2007	USRV INC	USRV INC.	137 MYRICKS ST.	BERKLEY	MA	02779	TAILLEUR STEPHANE	588 ADANAC	QUEBEC	PQ	G1C 787	
110175	1F6MFS3Y470A03639	2008	BS	CA	2901	F	7/23/2007	7/31/2007	SIERRA RV	AMERICAN RV RENTALS INC	9125 S VIRGINIA ST	RENO	NV	89511	KEPLE BRIAN J	#2 3640 TRANS CANADA HWY	COBBLE HILL	BC	VOR 1L7	
110176	1F6MFS3Y270A05325	2008	BS	CA	2901	F	7/30/2007	8/8/2007	SIERRA RV	AMERICAN RV RENTALS INC	9125 S VIRGINIA ST	RENO	NV	89511	SCOTT CARL	27 BETTE LOU LN	BIG PINE	CA	93513	
110177	1F6NF53YX60A17211	2008	BS	CA	3201	F	8/2/2007	8/14/2007	DAVES RV	SIMSO DAVID W	2 INDUSTRIAL PARK PLAZA	DANBURY	CT	06810	WERT HARRY F	3 NEWFAIR LN	NEW FAIRFIELD	CT	6812	
110178	1F6NF53Y260A17395	2008	BS	CA	3304	F	8/14/2007	8/23/2007	RV SUPERSTORE	THE TERRY GROUP LLC	4467 E. DANDELION	PANHRUMP	NV	89048	DANIEL KENNETH L	102 MALLARD CROSSING	ELIZABETHTOWN	KY	42701	
110179	1F6NF53Y060A17394	2008	BS	CA	3201	F	8/13/2007	8/22/2007	RV SUPERSTORE	THE TERRY GROUP LLC	4467 E. DANDELION	PANHRUMP	NV	89048	MAHAR WAYNE	3712 GREENBRIAR BLUFF AVE	NORTH LAS VEGAS	NV	89081	
110180	1F6MFS3Y470A04919	2008	BS	CA	2901	F	8/8/2007	8/20/2007	RV SUPERSTORE	THE TERRY GROUP LLC	4467 E. DANDELION	PANHRUMP	NV	89048	PHELPS WILLIAM C	2040 GRANITE BAR WAY	GOLD RIVER	CA	95670	
110181	1F6NF53Y160A17212	2008	BS	CA	3202	F	8/9/2007	8/21/2007	RV AMERICA	3640 CHAMBERS ROAD		AURORA	CO	80011	JOHNSON ROBERT	20407 JILL RD	RAPID CITY	SD	57702	
110182	1F6MFS3Y670A04923	2008	BS	CA	2901	F	8/21/2007	8/30/2007	OLYMPIC RV	LEWIS ST TRAILER SALES, INC	1724 W LEWIS STREET	PASCO	WA	99301	OLSEN ELVER	289 CAPRI AVE	CALGARY	AB	T2L 0H9	
110183	1F6MFS3Y670A05327	2008	BS	CA	2901	F	8/27/2007	9/5/2007	OLYMPIC RV	LEWIS ST TRAILER SALES INC	22 GILBERT ROAD	SEQUIM	WA	98382	DECKER CHESTER E	31 ONYX	SEQUIM	WA	98382	
110187	1F6MFS3Y870A06754	2008	BS	CA	2901	F	9/6/2007	9/18/2007	LA MESA	6006 MIRAMAR ROAD		SAN DIEGO	CA	92121	SCOTT RONNIE H	867 TERRACE CREST	EQUIM	CA	92019	
110188	1F6NF53Y460A17155	2008	BS	CA	3304	F	8/27/2007	9/6/2007	LA MESA	101 EAST REDLANDS BLVD		SAN BERNARDINO	CA	92408	ADAMS BILLIE J	40427 HIGH ST	CHERRY VALLEY	CA	92223	
110190	1F6MFS3Y370A06757	2008	BS	CA	2701	F	9/12/2007	9/24/2007	LA MESA	101 EAST REDLANDS BLVD		SAN BERNARDINO	CA	92408	POLLOK RAY B	11822 ZELZAH AVE	GRANADA HILLS	CA	91344	
110191	1F6MFS3YX70A06755	2008	BS	CA	2901	F	9/19/2007	10/1/2007	LA MESA	5200 CHILES RD		DAVIS	CA	95618	SCHOONOVER MARY A	10325 YANALDEN AVE	NORTHBRIDGE	CA	99326	
110192	1F6NF53Y660A17674	2008	BS	CA	3304	F	9/5/2007	9/13/2007	LA MESA	5200 CHILES RD		DAVIS	CA	95618	ALFARO MARTIN	2193 CORTE LIMON	CARLSBAD	CA	92059	
110193	1F6MFS3Y870A05328	2008	BS	CA	2901	F	8/28/2007	9/6/2007	LA MESA	6006 MIRAMAR ROAD		SAN DIEGO	CA	92121	FURTAADO JOHN	3800 WEST WILSON ST	BANNING	CA	92220	
110194	1F6NF53Y260A17154	2008	BS	CA	3304	F	8/22/2007	8/30/2007	LA MESA	6006 MIRAMAR ROAD		SAN DIEGO	CA	92121	MAGSAM DAVID L	804 W GRANADA CT	ONTARIO	CA	91762	
110195	1F6NF53Y860A17675	2008	BS	CA	3201	F	9/5/2007	9/13/2007	LA MESA	5200 CHILES RD		DAVIS	CA	95618	SHIELDS JOHN	25188 E MARION E-210	PUNTA GORDA	FL	33950	
110196	1F6NF53Y060A17153	2008	BS	CA	3202	F	8/21/2007	8/30/2007	LA MESA	101 EAST REDLANDS BLVD		SAN BERNARDINO	CA	92408	STONE MICHAEL	14187 TIOGA STREET	HESPERIA	CA	92340	
110197	1F6NF53YX60A17676	2008	BS	CA	3202	F	9/6/2007	9/17/2007	LA MESA	101 EAST REDLANDS BLVD		SAN BERNARDINO	CA	92408	WEST MICHAEL	10551 CORTE JARDIN DELMAR	SAN DIEGO	CA	92130	
110198	1F6NF53Y560A17679	2008	BS	CA	3202	F	9/24/2007	10/3/2007	LA MESA	6006 MIRAMAR ROAD		SAN DIEGO	CA	92121	CORRAO JOHON P	3242 VISTA CIELO LANE	SPRING VALLEY	TX	91978	
110200	1F6MFS3Y070A04920	2008	BS	CA	2901	F	8/21/2007	8/29/2007	OLYMPIC RV	LEWIS ST TRAILER SALES INC	22 GILBERT ROAD	SEQUIM	WA	98382	VOGEL GEORGE	247 RAINBOW DR #14739	LIVINGSTON	TX	77399	
110201	1F6MFS3YX70A05329	2008	BS	CA	2901	F	8/28/2007	9/7/2007	NORTH TRAIL	LEE COUNTY RV SALES CO	5270 ORANGE RIVER BLVD	FORT MYERS	FL	33905	THIBODEAU RICHARD P	284 RIVER RD	BATH	NH	3740	
110202	1F6NF53Y160A17159	2008	BS	CA	3102	F	9/17/2007	9/26/2007	STENZELS	4701 HWY 169		ELMORE	MN	56027	ELLIS LARRY L	6308 DUTCH HOLLOW RD	POTOSI	WI	53820	
110203	1F6MFS3Y170A06756	2008	BS	CA	2901	F	9/7/2007	9/18/2007	STENZELS	4701 HWY 169		ELMORE	MN	56027	KORYCAN THERESA	2110 LONG VALLEY RD	HALLONDALE	WI	53544	
110204	1F6NF53Y160A17677	2008	BS	CA	2901	F	9/10/2007	9/19/2007	DAVES RV	SIMSO DAVID W	2 INDUSTRIAL PARK PLAZA	DANBURY	CT	06810	BRAUN KEN	55 BROOK LANE	BERLIN	MA	1503	
110205	1F6NF53Y160A17680	2008	BS	CA	3304	F	9/25/2007	10/4/2007	KOOGLER	670 OAKLAND CIRCLE		RAPHINE	VA	24472	BRADHEAD DON	670 BRADHEAD SCHOOL RD	GREENVILLE	VA	24440	
110207	1F6NF53Y360A17678	2008	BS	CA	3304	F	9/18/2007	9/27/2007	USRV INC	137 MYRICKS ST		BERKLEY	MA	02779	KENT SHARON R	12 ELAINE DRIVE	NASHUA	NH	3062	
110208	1F6MFS3Y570A06758	2008	BS	CA	2901	F	9/25/2007	10/4/2007	ALOHA	8300 PAN AMERICAN FWY NE STE A		ALBUQUERQUE	NM	87113	ANDREWS CHARLES	1517 DALLMAN RD	CAMANO ISLAND	WA	98282	
110209	1F6NF53Y560A17682	2008	BS	CA	3202	F	10/1/2007	10/10/2007	USRV INC	137 MYRICKS ST		BERKLEY	MA	02779	BROWNELL LINDA L	112 AUCCOFT RD	MATTAPANSETT	MA	2719	
110210	1F6NF53Y360A17681	2008	BS	CA	3304	F	10/1/2007	10/10/2007	USRV INC	137 MYRICKS ST		BERKLEY	MA	02779	PELTIER ROBERT J	51 OLD CARRIAGE RD	CONWAY	RI	2816	
110211	1F6MFS3Y870A06561	2008	BS	CA	2901	F	10/9/2007	10/18/2007	TOM SCHAEFFERS	TRAVEL CENTER INC	1236 POTTSVILLE PIKE	SHOEMAKERSVILLE	PA	19555	TAYLOR MARGARET E	18162 RIDGE MEADOW RD	STEWARTSTOWN	PA	17363	
110212	1F6MFS3YX70A05652	2008	BS	CA	2901	F	10/11/2007	10/23/2007	NORTH TRAIL	LEE COUNTY RV SALES CO	5270 ORANGE RIVER BLVD	FORT MYERS	FL	33905						
110213	1F6NF53Y760A17683	2008	BS	CA	3202	F	10/18/2007	10/30/2007	LEES RV CITY	13111 N BROADWAY EXT		OKLAHOMA CITY	OK	73114	FAISON HAWTHORNE	6709 LINTON LANE NW	PIEDMONT	OK	73078	
110217	1F6NF53Y370A07363	2008	BS	CA	3201	F	10/15/2007	10/25/2007	PARKVIEW	PARKVIEW AUTO & TRAILER SALES INC	5511 DUPONT PARKWAY	SMYRNA	DE	19977	HILL FRANK W	10 DRIFTWOOD LANE	GEORGETOWN	MD	21390	
110219	1F6NF53Y570A07364	2008	BS	CA	3304	F	10/30/2007	11/12/2007	HARBERSON	17028 US HWY 19 N		CLEARWATER	FL	33764	HANNON PHILLIP	7420 ORPINE DR	ST PETERSBURG	FL	33702	
110220	1F6NF53Y770A07365	2008	BS	CA	3201	F	10/22/2007	10/31/2007	HARBERSON	17028 US HWY 19 N		CLEARWATER	FL	33764	DABBS CHARLES D	8304 LAGO VISTA DR	TAMPA	FL	33614	
110222	1F6NF53Y270A07225	2008	BS	CA	3202	F	10/30/2007	11/8/2007	TOM SCHAEFFERS	TRAVEL CENTER INC	1236 POTTSVILLE PIKE	SHOEMAKERSVILLE	PA	19555	DEJUSUS MANUEL J	119 MITCHELL AVE	READING	PA	19605	
110225	1F6MFS3Y670A07739	2008	BS	CA	2901	F	11/6/2007	11/15/2007	OLYMPIC RV	LEWIS ST TRAILER SALES INC	22 GILBERT ROAD	SEQUIM	WA	98382	HOFFART RICHARD P	130 VALLEY FARM CT	SEQUIM	WA	98382	
110226	1F6NF53Y470A08408	2008	BS	CA	3202	F	11/8/2007	11/20/2007	ANSLEY	1280 ROUTE 764	PO BOX 239	DUNCANSVILLE	PA	16635	WELLER DANA M	RD 4 BOX 117	HOLIDAYSBURG	PA	16648	
110227	1F6MFS3Y970A07945	2008	BS	CA	2701	F	11/28/2007	12/6/2007												

110281	1F6NF53180A01353	2009	BS	CA	3202	F	4/15/2008	4/28/2008	LEES RV CITY	13111 N BROADWAY EXT		OKLAHOMA CITY	OK	73114 DESKIN JACK	2804 KENWOOD CT	EDMOND	OK	73034
110284	1F6NF531680A01462	2009	BS	CA	2901	F	5/19/2008	5/28/2008	ANSLEY	1280 ROUTE 764	PO BOX 239	DUNCANVILLE	GA	16635 MARIETTA HAROLD J	261 PENN VALLEY RD	HUNKER	PA	15639
110285	1F6NF53Y80A03436	2009	BS	CA	2901	F	5/28/2008	6/16/2008	GORES DICK	250 LONGWOOD DRIVE		RICHMOND HILL	GA	31324 HOLTON LOYE	PO BOX 191	WORTHINGTON SPRINGS	FL	32697
110286	1F6NF53Y080A03322	2009	BS	CA	3202	F	6/10/2008	7/15/2008	GORES DICK	250 LONGWOOD DRIVE		RICHMOND HILL	GA	31324 NORMAN CORA	445 VIRGINIA CT	PATASKALA	OH	43062
110287	1F6NF53380A01466	2009	BS	CA	3205	F	5/27/2008	6/12/2008	ANSLEY	1280 ROUTE 764	PO BOX 239	DUNCANVILLE	GA	16635				
110288	1F6NF53Y480A01461	2009	BS	CA	3205	F	5/19/2008	5/30/2008	JEFF'S RV SUPERSTORE	462 INTERSTATE DRIVE		MOCKSVILLE	NC	27028 MILLER CHARLES C	1491 KENMARE CT	HIGH POINT	NC	27260
110289	1F6NF53180A01465	2009	BS	CA	2901	F	5/22/2008	6/11/2008	HARPER	1200 E 10TH ST	PO BOX 1993	GREAT BEND	KS	67530 LORENZEN VERLE	806 CAPITAL ST	KINSLEY	KS	67547
110290	1F6NF53180A03437	2009	BS	CA	2901	F	5/29/2008	6/17/2008	RV SUPERSTORE	THE TERRY GROUP LLC	4700 BOULDER HIGHWAY SUITE B	LAS VEGAS	NV	89121 WORPEL KEITH	7100 MANN ST	LAS VEGAS	NV	89121
110291	1F6NF53Y80A03318	2009	BS	CA	3202	F	6/9/2008	6/19/2008	PROFESSIONAL SALES	1809 JOHN MCCAIN RD	PO BOX 1018	COLLEVILLE	TX	76034 MCCALLUM DAVID	4632 O'CONNOR COURT	IRVING	TX	75062
110292	1F6NF53Y380A03438	2009	BS	CA	2901	F	5/30/2008	6/18/2008	WILKINS	7520 STATE ROUTE 415		BATH	NY	14810 CANFIELD JAMES F	1312 COUNTY HIGHWAY 107	FORT JOHNSON	NY	12070
110294	1F6NF53Y580A03439	2009	BS	CA	2702	F	6/11/2008	7/21/2008	ALOHA	8300 PAN AMERICAN FWY NE STE A		ALBUQUERQUE	NM	87113 OLSEN WILLIAM	14 BLACKBEAR RD	JEMEZ SPRINGS	NM	87025
110297	1F6NF53Y380A04153	2009	BS	CA	2901	F	6/19/2008	8/6/2008	BRETZ	4800 GRANT CREEK RD		MISSOULA	MT	59808 EMMS JOHN	1959 FIRST AVE	PRINCE GEORGE	BC	V2L 221
110301	1F6NF53Y080A05051	2009	BS	CA	2901	F	9/22/2008	10/14/2008	INDEPENDENCE	& SERVICE INC	12705 WEST COLONIAL DR	WINTER GARDEN	FL	34787 LILLY RICHARD A	2750 RIO CT	PUNTA GORDA	FL	33950
110304	1F6NF53Y280A04158	2009	BS	CA	2901	F	10/9/2008	11/3/2008	WILKINS	7520 STATE ROUTE 415		BATH	NY	14810 STEIN HERMAN E	7139 ALBANY POST RD LOT 3	RHINEBECK	NY	12572
110305	1F6NF53Y780A03320	2009	BS	CA	3202	F	10/28/2008	12/1/2008	INDEPENDENCE	& SERVICE INC	12705 WEST COLONIAL DR	WINTER GARDEN	FL	34787 STUART MERLE	24791 S 639 PL	GROVE	OK	74344
110306	1F6NF53Y780A04841	2009	BS	CA	3304	F	11/3/2008	12/4/2008	JEFF'S RV SUPERSTORE	RV SUPERSTORE OF MOCKSVILLE DBA	462 INTERSTATE DRIVE	MOCKSVILLE	NC	27028 BELL STEVEN	1501 ZURICH PL	NEWBERN	NC	28562
110307	1F6NF53Y580A04840	2009	BS	CA	3201	F	10/28/2008	12/1/2008	HARBERTSON	17028 US HWY 19 N		CLEARWATER	FL	33764 KOESTER LARRY	8613 7TH PLACE S	PALM BEACH	FL	33411
110308	1F6NF53Y280A05052	2009	BS	CA	2702	F	10/29/2008	12/2/2008	HARBERTSON	17028 US HWY 19 N		CLEARWATER	FL	33764 PHILLIPS WILLIAM O	1213 HOWELL CREEK DRIVE	WINTER SPRINGS	FL	32708
110309	1F6NF53Y980A04842	2009	BS	CA	3202	F	2/4/2009	2/18/2009	INDEPENDENCE	& SERVICE INC	12705 WEST COLONIAL DR	WINTER GARDEN	FL	34787 PINERO JUAN	26843 FOREST HILLS ST	LEESBURG	FL	34748
110310	1F6NF53Y480A05053	2009	BS	CA	2901	F	2/9/2009	2/19/2009	INDEPENDENCE	& SERVICE INC	12705 WEST COLONIAL DR	WINTER GARDEN	FL	34787 ALLIN ROBERT V	10 COVE RD	PRESTON	CT	6365
110313	1F6NF53Y80A05056	2009	BS	CA	2901	F	2/17/2009	3/10/2009	INDEPENDENCE	& SERVICE INC	12705 WEST COLONIAL DR	WINTER GARDEN	FL	34787				
110314	1F6NF53Y480A04845	2009	BS	CA	3202	F	2/16/2009	3/9/2009	MOUNT COMFORT	5935 W 225 N		GREENFIELD	IN	46140				
110316	1F6NF53Y880A05055	2010	BS	CA	2702	F	2/12/2009	3/5/2009	BRETZ	4800 GRANT CREEK RD		MISSOULA	MT	59808 GOODMAN ROBERTA	61 THREE MILE LN	SALMON	ID	83467
110318	1F6NF53Y660A14483	2009	BS	CA	3205	F	2/19/2009	3/11/2009	BALLARDS	S 5849 SOUTHWESTERN BLVD		HAMBURG	NY	14075 OBOYLE MICHAEL D	5620 JUNO DR	LAKESIDE	NM	14085
110320	1F6NF53Y80A04848	2009	BS	CA	3201	F	3/3/2009	3/13/2009	STEINBRING	7390 COUNTY ROAD 82	PO BOX 160	GARFIELD	MN	56332 BILLMARK G	3140 LITTLE IDA BEACH RD	ALEXANDRIA	MN	56332
110321	1F6NF53Y180A04849	2009	BS	CA	3201	F	3/9/2009	3/17/2009	JEFF'S RV SUPERSTORE	RV SUPERSTORE OF MOCKSVILLE DBA	462 INTERSTATE DRIVE	MOCKSVILLE	NC	27028				
110322	1F6NF53Y880A04850	2010	BS	CA	3202	F	4/2/2009	4/15/2009	WALKER	HIGHWAY 122 WEST	PO BOX 633	NORA SPRINGS	IA	50458 HEASER MIKE D	365 TAYLOR HILL DR	MINNEISKA	MN	55910
110323	1F6NF53Y380A05058	2010	BS	CA	2901	F	4/6/2009	4/16/2009	ANSLEY	1280 ROUTE 764	PO BOX 239	DUNCANVILLE	PA	16635 CARACCILO CHARLES M	1130 N 2ND ST	TYRONE	PA	16686
110324	1F6NF53Y580A05059	2010	BS	CA	2901	F	4/2/2009	4/15/2009	DIXIE RV	10241 DESTINATION DRIVE		HAMMOND	LA	70403 BELLETO DOROTHY S	76576 ED TALLEY RD	BUSH	LA	70431
110325	1F6NF53Y80A04851	2010	BS	CA	3304	F	4/7/2009	4/16/2009	DIXIE RV	10241 DESTINATION DRIVE		HAMMOND	LA	70403 MARTIN INTERNATIONAL *	133 WOODLAND DRIVE	LAPLACE	LA	70068
110326	1F6NF53Y180A05060	2010	BS	CA	2901	F	4/8/2009	4/22/2009	SIERRA RV	AMERICAN RV RENTALS INC	9125 S VIRGINIA ST	RENO	NV	89511 BOLARIS JOHN	1338 DENNY LANE	MINDEN	NV	89423
110328	1F6NF53Y980A03321	2010	BS	CA	3202	F	5/12/2009	5/26/2009	BALLARDS	S 5849 SOUTHWESTERN BLVD		HAMBURG	NY	14075 CHAPMAN ROBERT B	3115 ARNSOLD RD	HAMBURG	NY	14075
110329	1F6NF53Y580A05062	2010	BS	CA	2901	F	6/1/2009	6/9/2009	ANSLEY	1280 ROUTE 764	PO BOX 239	DUNCANVILLE	PA	16635 HOLMES EARL E	1511 HICKS DRIVE	DAUPHIN	PA	17018
110330	1F6NF53Y780A05063	2010	BS	CA	2901	F	6/9/2009	6/18/2009	BECKLEYS	BECKLEYS ENTERPRISES INC	11109 ANGLEBERGER RD	THURMONT	MD	21788 LEGENSKY CHESTER A	35 MARSTON DRIVE	MARTINSBURG	WV	25403
110331	1F6NF53Y180A04852	2010	BS	CA	3202	F	6/2/2009	6/10/2009	BECKLEYS	BECKLEYS ENTERPRISES INC	11109 ANGLEBERGER RD	THURMONT	MD	21788 LONG EDWIN N	328 HOWELLS HILLS RD	PORTAGE	PA	15946
110332	1F6NF53Y980A05064	2010	BS	CA	2901	F	6/9/2009	6/17/2009	MOUNT COMFORT	5935 W 225 N		GREENFIELD	IN	46140 WILSON JAMES J	411 WALNUT STREET #8622	GREEN COVE SPRINGS	FL	32043
110334	1F6NF53Y380A04853	2010	BS	CA	2901	F	6/23/2009	7/13/2009	PROFESSIONAL SALES	1809 JOHN MCCAIN RD	PO BOX 1018	COLLEVILLE	TX	76034-6371 FERRARA MICHAEL	5961 FM 547	FARMERSVILLE	TX	75442
110335	1F6NF53Y780A05035	2010	BS	CA	3205	F	6/25/2009	7/15/2009	ANSLEY	1280 ROUTE 764	PO BOX 239	DUNCANVILLE	PA	16635 DOWLING WARREN J	113 HOLIDAY DRIVE	WEST MIFFLIN	PA	15122
110336	1F6NF53Y580A05065	2010	BS	CA	2702	F	7/6/2009	7/16/2009	ANSLEY	1280 ROUTE 764	PO BOX 239	DUNCANVILLE	PA	16635 TRESSLER DONALD J	1022 OUTER DRIVE	STATE COLLEGE	PA	16801
110337	1F6NF53Y780A05066	2010	BS	CA	2901	F	7/7/2009	7/16/2009	GORES DICK	14590 DUVAL PLACE WEST		JACKSONVILLE	FL	32218				
110338	1F6NF53Y980A05067	2010	BS	CA	2901	F	7/8/2009	7/20/2009	GORES DICK	14590 DUVAL PLACE WEST		JACKSONVILLE	FL	32218 EILAND THOMAS J	112 MICKLER BLVD	ST AUGUSTINE	FL	32080
110339	1F6NF53Y080A05068	2010	BS	CA	2901	F	7/9/2009	7/21/2009	GORES DICK	14590 DUVAL PLACE WEST		JACKSONVILLE	FL	32218 WHITE LARRY W	102 SYLVIAS CT	ST MARYS	GA	31558
110340	1F6NF53Y380A05033	2010	BS	CA	3202	F	7/9/2009	7/21/2009	DIXIE RV	10241 DESTINATION DRIVE		HAMMOND	LA	70403 DEES FAYE	4150 HUCKLEBERRY FINN RD	MILTON	FL	32583
110341	1F6NF53Y580A04854	2010	BS	CA	2901	F	7/13/2009	7/22/2009	GUARANTY RV	20 HWY 99 SOUTH	PO BOX 279	JUNCTION CITY	OR	97448 JAMES JOHN A	344 HOOTEN RD	WINSTON	OR	97496
110343	1F6NF53Y080A05036	2010	BS	CA	3202	F	7/15/2009	7/28/2009	MOUNT COMFORT	5935 W 225 N		GREENFIELD	IN	46140 PRICE STEVE	70776 CR 7	NAPPANEE	IN	46550
110347	1F6NF53Y280A03404	2010	BS	CA	3205	F	7/27/2009	8/5/2009	SIERRA RV	AMERICAN RV RENTALS INC	9125 S VIRGINIA ST	RENO	NV	89511 WHEELER DENNIS	90 BOX 2123	AVIL BEACH	CA	93424
110348	1F6NF53Y080A03403	2010	BS	CA	2901	F	7/28/2009	8/10/2009	SIERRA RV	AMERICAN RV RENTALS INC	9125 S VIRGINIA ST	RENO	NV	89511 LAWSON WILLIAM M	995 BAILEY CREEK COURT	RENO	NV	89521
110349	1F6NF53Y80A04963	2010	BS	CA	2702	F	8/3/2009	8/13/2009	GUARANTY RV	20 HWY 99 SOUTH	PO BOX 179	JUNCTION CITY	OR	97448 HANDLEY JEROME D	4843 GLORIA GAYLE WAY	FLORENCE	OR	97439
110350	1F6NF53Y380A04965	2010	BS	CA	2901	F	8/4/2009	8/17/2009	STEINBRING	7390 COUNTY ROAD 82	PO BOX 160	GARFIELD	MN	56332 DALY HERBERT	417 ARNETT AVE	VENTURA	CA	93003
110351	1F6NF53Y180A04964	2010	BS	CA	3202	F	8/4/2009	8/17/2009	BUDDY GREGG	BGMH ACQUISITION LLC	11730 SNYDER RD	KNOXVILLE	TN	37932 GILES LAWRENCE T	1231 GAMBLE DRIVE	HEISKELL	TN	37754
110352	1F6NF53Y780A04967	2010	BS	CA	2901	F	8/12/2009	8/25/2009	BUDDY GREGG	BGMH ACQUISITION LLC	11730 SNYDER RD	KNOXVILLE	TN	37932 DAVIDSON MARK	3933 COUNTY ROAD 2261	VALLEY VIEW	TX	76272
110353	1F6NF53Y580A04966	2010	BS	CA	2901	F	8/6/2009	8/19/2009	BECKLEYS	BECKLEYS ENTERPRISES INC	11109 ANGLEBERGER RD	THURMONT	MD	21788 DRIES LEONARD F	PO BOX 83, 230 STATE STREET	WOODBURY	PA	16695
110357	1F6NF53Y90A00218	2010	BS	CA	2901	F	8/20/2009	8/20/2009	JEFF'S RV SUPERSTORE	RV SUPERSTORE OF MOCKSVILLE DBA	462 INTERSTATE DRIVE	MOCKSVILLE	NC	27028 BAGGETT ERROR T	629 PORTSIDE DR	DAVIDSON	NC	28036
110358	1F6NF53Y780A04970	2010	BS	CA	3202	F	8/18/2009	9/8/2009	JEFF'S RV SUPERSTORE	RV SUPERSTORE OF MOCKSVILLE DBA	462 INTERSTATE DRIVE	MOCKSVILLE	NC	27028 AYERS VALLEAU	4516 OLD LARKIN CT	WAKE FOREST	NC	27587
110359	1F6NF53Y290A00455	2010	BS	CA	3304	F	8/24/2009	9/11/2009	GUARANTY RV	20 HWY 99 SOUTH	PO BOX 279	JUNCTION CITY	OR	97448 BENVENGO JOHN A	4309 S E 178TH PLACE	VANCOUVER	WA	98683
110360	1F6NF53Y190A01558	2010	BS	CA	2901	F	2/23/2010	3/4/2010	ANCIRA	30500 IH-10 WEST		BOERNE	TX	78006 JACKSON DAVID	124 WEBSTER DRIVE	SHERTZ	TX	78154
110361	1F6NF53Y490A01963	2010	BS	CA	3202	F	2/23/2010	3/4/2010	ANCIRA	30500 IH-10 WEST		BOERNE	TX	78006 HUCKABY KEN	1612 EDWARDS LANE	FRANKLIN	TX	77856
110362	1F6NF53Y990A00447	2010	BS	CA	2901	F	8/25/2009	9/14/2009	MOUNT COMFORT	5935 W 225 N		GREENFIELD	IN	46140 AITKENHEAD ROGER R	52013 CORNERSTONE CT	MACOMB	MI	48042
110363	1F6NF53Y080A00450	2010	BS	CA	2901	F	8/26/2009	9/15/2009	MOUNT COMFORT	5935 W 225 N		GREENFIELD	IN	46140 SCHLUEDERKER RONALD M	7839 PENNY ROYAL LN	INDIANAPOLIS	IN	46237
110364	1F6NF53Y090A00451	2010	BS	CA	2901	F	9/9/2009	9/21/2009	LEES RV CITY	13111 N BROADWAY EXT		OKLAHOMA CITY	OK	73114 CARPENTER PAUL	6042 ELLIS LN	KAUFMAN	TX	75142
110365	1F6NF53Y490A00456	2010	BS	CA	3201	F	9/8/2009	9/17/2009	STEINBRING	7390 COUNTY ROAD 82	PO BOX 160	GARFIELD	MN	56332 OLSON WILBERT	152 WOODRIDGE LN	WEST FARGO	ND	58078
110366	1F6NF53Y090A00448	2010	BS	CA	2901	F	9/10/2009	9/23/2009	NORTH TRAIL	LEE COUNTY RV SALES CO	5270 ORANGE RIVER BLVD	FORT MYERS	FL	33905 LARRYS AUTO SALES *	12686 EDWARD CIR	WELLINGTON	FL	33414
110367	1F6NF53Y290A00449	2010	BS	CA	2901	F	9/14/2009	9/24/2009	NORTH TRAIL	LEE COUNTY RV SALES CO	5270 ORANGE RIVER BLVD	FORT MYERS	FL	33905 FISHER JAMES A	3216 BOWLING ST SW	CEDAR RAPIDS	IA	52404
110368	1F6NF53Y290A00452	20																

110404	1F6NF53Y090A01085	2010	BS	CA	3202	F	12/4/2009	12/15/2009	INDEPENDENCE	& SERVICE INC	12705 WEST COLONIAL DR	WINTER GARDEN	FL	34787	RATLIFF BOBBY G	1410 JEFFERSON TERRACE	BEDFORD	VA	24523	
110405	1F6NF53Y290A01086	2010	BS	CA	2902	F	12/7/2009	12/16/2009	INDEPENDENCE	& SERVICE INC	12705 WEST COLONIAL DR	WINTER GARDEN	FL	34787	TILLET LAURENCE G	7 COUNTRY CLUB DR	DANVILLE	VA	24541	
110407	1F6MF53Y490A00680	2010	BS	CA	2901	F	12/14/2009	12/14/2010	HOLIDAY WORLD OF HOUSTON	28909 KATY FREEWAY	1745 HOLLOW LN	KATY	TX	77494	OLIVIER KENNETH	21 BRIAR HOLLOW LN #207	HOUSTON	TX	77027	
110409	1F6MF53Y990A01551	2010	BS	CA	2901	F	1/4/2010	1/25/2010	BRETZ	4800 GRANT CREEK RD		MISSOULA	MT	59808	BOLICH LEROY	37 DISHKUN LANE	GREAT FALLS	MT	59404	
110410	1F6NF53Y090A01958	2010	BS	CA	3205	F	1/13/2010	1/22/2010	BRETZ	4800 GRANT CREEK RD		MISSOULA	MT	59808	GREENWOOD JOHN	709 S STEVENS	DEER PARK	WA	99006	
110412	1F6MF53Y290A01553	2010	BS	CA	2702	F	1/19/2010	1/28/2010	JEFF'S RV SUPERSTORE	RV SUPERSTORE OF MOCKSVILLE DBA	462 INTERSTATE DRIVE	MOCKSVILLE	NC	27028	LINDLEY WILLIAM T	2239 LOVE SHOP ROAD	HALIFAX	VA	24558	
110414	1F6MF53Y390A01948	2010	BS	CA	2702	F	1/25/2010	2/3/2010	ANSLY	1280 ROUTE 764	PO BOX 239	DUNCANSVILLE	LA	16635	ROACH JON K	417 GLENWOOD AVE	JOHNSTOWN	PA	15905	
110415	1F6MF53Y490A01554	2010	BS	CA	2901	F	2/4/2010	2/15/2010	DIXIE RV	10241 DESTINATION DRIVE		HAMMOND	LA	70403	BROWN CULLEN	6090 BREWERTON RD	GONZALES	LA	70737	
110417	1F6MF53Y690A01555	2010	BS	CA	2901	F	2/4/2010	2/15/2010	NORTH TRAIL	LEE COUNTY RV SALES CO	5270 ORANGE RIVER BLVD	FORT MYERS	FL	33905	LEON ROBERT C	600 FLAMEVINE LN	VERO BEACH	FL	32963	
110418	1F6MF53Y490A01957	2010	BS	CA	2901	F	2/7/2010	2/26/2010	ANSLY	1280 ROUTE 764	PO BOX 239	DUNCANSVILLE	LA	16635	HAUGER DANIEL	P O BOX 138, 2400 CLARKSBURG RD	CLARKSBURG	PA	15725	
110419	1F6MF53Y890A01556	2010	BS	CA	2702	F	2/12/2010	2/23/2010	NORTH TRAIL	LEE COUNTY RV SALES CO	5270 ORANGE RIVER BLVD	FORT MYERS	FL	33905	NELSON JAY C	4972 PALMWOOD DR	PALM BEACH GARDEN	FL	33410	
110421	1F6NF53Y290A01962	2010	BS	CA	2901	F	2/18/2010	3/1/2010	INDEPENDENCE	& SERVICE INC	12705 WEST COLONIAL DR	WINTER GARDEN	FL	34787	RODRIGUEZ NELSON	180 FAWN LANE	PURLEAR	NC	28695	
110422	1F66F5DY280A00240	2011	BS	CA	3302	F	3/9/2010	3/17/2010	NORTH TRAIL	LEE COUNTY RV SALES CO	5270 ORANGE RIVER BLVD	FORT MYERS	FL	33905	AGNAW RICHARD	1912 THAYLO ROAD	WOOSSO	MI	48867	
110424	1F6MF53Y390A01559	2010	BS	CA	2702	F	2/26/2010	3/9/2010	WILKINS	7520 STATE ROUTE 415		BATH	NY	14810	YONDA ANTHONY	41 CRAIGMOOR RD S	RIDGEFIELD	CT	6877	
110430	1F6NF53Y190A01967	2010	BS	CA	2901	F	3/12/2010	3/19/2010	TOM LINDSTROM	5152 COMMERCIE AVE	PO BOX 1018	MOOREPARK	CA	93021-1761	BRADLEY JEREMY	3404 MACLACHLAN CRESENT	REGINA	SK	548 8V1	
110433	1F66F5DY480A00238	2011	BS	CA	2902	F	3/22/2010	4/1/2010	PROFESSIONAL SALES	1809 JOHN MCCAIN RD		COLLEVILLE	TX	76034-6371	RICHARDSON JERRY	1 BELCLAIR CR	LONGVIEW	TX	75605	
110434	1F66F5DY680A00239	2011	BS	CA	2902	F	3/18/2010	3/30/2010	CAMPERS RV	DEW ENTERPRISES INC	7700 W 70TH ST	SHREVEPORT	LA	71129-2206	BURDEN DOUGLAS S	101 BURDEN LN	GUN BARRELL	TX	75156	
110435	1F6MF53Y190A01950	2011	BS	CA	2901	F	3/23/2010	4/5/2010	CAMPERS RV	DEW ENTERPRISES INC	7700 W 70TH ST	SHREVEPORT	LA	71129-2206	MATTHEWS GENE R	589 BUTLER	HALLSVILLE	LA	75650	
110436	1F66F5DY680A00242	2011	BS	CA	3302	F	3/31/2010	4/12/2010	GORES DICK	14590 DUVAL PLACE WEST		JACKSONVILLE	FL	32218	BROWN ROY A	4341 SADDLEHORN TRL	MIDDLEBURG	FL	32068	
110437	1F6MF53Y390A01951	2011	BS	CA	2901	F	4/1/2010	4/13/2010	STEINBRING	7390 COUNTY ROAD 82	PO BOX 160	GARFIELD	MN	56332	PLUNKETT TIM	2505 OVERLOOK CT N	STILLWATER	MN	55082	
110438	1F6MF53Y590A01952	2011	BS	CA	2901	F	4/7/2010	4/16/2010	NORTH TRAIL	LEE COUNTY RV SALES CO	5270 ORANGE RIVER BLVD	FORT MYERS	FL	33905	TOBYANNS EDWARD J	2160 QUEEN ANN ST	MERRITT ISLAND	FL	32952	
110439	1F66F5DY480A00241	2010	BS	CA	2901	F	4/12/2010	4/21/2010	WILKINS	7520 STATE ROUTE 415		BATH	NY	14810	WASSER THOMAS D	8 LOCUST ST HILL DRIVE	LYONS	NY	14849	
110440	1F6MF53Y090A01955	2011	BS	CA	2901	F	4/16/2010	4/27/2010	LONGVIEW	4811 MCINTOSH RD		DOVER	FL	33527	CARTER ROGER	10645 ROCKFISH PK TURNPIKE	AFTON	VA	22920	
110441	1F6MF53Y790A01953	2011	BS	CA	2901	F	4/9/2010	4/20/2010	NORTH TRAIL	LEE COUNTY RV SALES CO	5270 ORANGE RIVER BLVD	FORT MYERS	FL	33905	HARPER CECIL	11124 WALES AVE NE	ALBUQUERQUE	NM	87111	
110442	1F6MF53Y990A01954	2011	BS	CA	2901	F	4/13/2010	4/22/2010	NORTH TRAIL	LEE COUNTY RV SALES CO	5270 ORANGE RIVER BLVD	FORT MYERS	FL	33905	BAKER CARLA J	9460 MONTEVERDE WAY	FORT MYERS	FL	33912	
110443	1F66F5DY080A00575	2011	BS	CA	3302	F	4/20/2010	4/29/2010	NORTH TRAIL	LEE COUNTY RV SALES CO	5270 ORANGE RIVER BLVD	FORT MYERS	FL	33905	PIERCE KATHERINE F	17823 NW 15TH COURT	PEMBROKE PINES	FL	33029	
110444	1F6MF53YX90A01560	2011	BS	CA	2901	F	4/30/2010	5/11/2010	BECKLEYS	BECKLEYS ENTERPRISES INC	11109 ANGLEBERGER RD	THURMONT	MD	21788	STROLIS PETER D	24 HUNTERS TRAIL	WYANESBORO	VA	22980	
110445	1F66F5DY280A00576	2011	BS	CA	3302	F	4/28/2010	5/7/2010	GORES DICK	14590 DUVAL PLACE WEST		JACKSONVILLE	FL	32218	GRESSER MICHAEL R	1905 GROVE BLUFF RD	SANT JOHNS	FL	32259	
110446	1F6MF53Y290A01956	2011	BS	CA	2901	F	4/28/2010	5/7/2010	GORES DICK	14590 DUVAL PLACE WEST		JACKSONVILLE	FL	32218	MORSE CARROLL S	PO BOX 8	KENTS STORE	VA	23084	
110447	1F66F5DY480A00577	2011	BS	CA	3302	F	4/23/2010	5/5/2010	RON POTTS	5669 JOHNSTOWN UTICA RD		JOHNSTOWN	OH	43031-9408	CORRIER SCOTT	1245 WHISPERING MEADOW CT	NEW ALBANY	OH	43054	
110448	1F66F5DY680A00578	2011	BS	CA	2901	F	5/4/2010	5/14/2010	RON POTTS	5669 JOHNSTOWN UTICA RD		JOHNSTOWN	OH	43031-9408	RAUSCH LARRY	1482 PINE VIEW DRIVE	LANCASTER	OH	43130	
110451	1F6MF53Y190A01561	2011	BS	CA	2901	F	4/30/2010	5/11/2010	SIERRA RV	AMERICAN RV RENTALS INC	9125 S VIRGINIA ST	RENO	NV	89511	NEVIN DANIEL	218 TACOMA AVE	CARSON CITY	NV	89703	
110452	1F66F5DYX80A01345	2011	BS	CA	2902	F	5/4/2010	5/12/2010	STEINBRING	7390 COUNTY ROAD 82	PO BOX 160	GARFIELD	MN	56332						
110453	1F6MF53Y390A01562	2011	BS	CA	2901	F	5/7/2010	5/19/2010	ANSLY	1280 ROUTE 764	PO BOX 239	DUNCANSVILLE	LA	16635	TURNBULL DREW	4986 CARVER STREET	LAKE WORTH	FL	33463	
110458	1F66F5DY380A01347	2011	BS	CA	3302	F	5/11/2010	5/21/2010	PROFESSIONAL SALES	1809 JOHN MCCAIN RD	PO BOX 1018	COLLEVILLE	TX	76034-6371						
110459	1F6MF53Y790A01564	2011	BS	CA	2901	F	6/1/2010	6/10/2010	A & S RV	2375 OPDYKE RD	PO BOX 160	AUBURN HILLS	MI	48326	STEPHANOFF DAVID	55205 RIVER STONE DR	SHELBY TWP	MI	48315	
110460	1F66F5DY280A01744	2011	BS	CA	3302	F	5/21/2010	6/1/2010	STEINBRING	7390 COUNTY ROAD 82		GARFIELD	MN	56332	GAGE-COLE MURRAY	102-15272 20TH AVE	SURREY	BC	VA4 2A3	
110461	1F6MF53Y590A01563	2011	BS	CA	2702	F	6/2/2010	6/10/2010	COACHLIGHT	5327 S GARRISON AVE		CARTHAGE	MO	64836	FATTIG CHARLES A	PO BOX 67	BARNARD	MO	64423	
110464	1F66F5DY980A02017	2011	BS	CA	3302	F	6/18/2010	6/29/2010	MOUNT COMFORT	5935 W 225 N		GREENFIELD	IN	46140	KEY SAMUEL	907 NOBLE RD	ST MARY	OH	45885	
110465	1F6MF53Y990A01565	2011	BS	CA	2901	F	6/17/2010	6/28/2010	HOLIDAY MOTORS	6300 PACIFIC HWY E		FIFE	WA	98424-1536	O'DELL GORDON	4135 74TH CT NW	HIG HARBOR	WA	98355	
110466	1F6MF53Y090A01566	2011	BS	CA	2901	F	6/22/2010	7/12/2010	GUARANY RV	20 HWY 99 SOUTH	PO BOX 279	JUNCTION CITY	OR	97448	COLLARD JOHN	2685 NE CANARD DR	GILLSBORO	OR	97124	
110468	1F66F5DY480A01888	2011	BS	CA	2901	F	6/21/2010	6/30/2010	DAVES RV	SIMSO DAVID W	2 INDUSTRIAL PARK PLAZA	DANBURY	CT	06810						
110470	1F6MF53Y090A01969	2011	BS	CA	2901	F	6/23/2010	7/14/2010	HOLIDAY WORLD OF HOUSTON	28909 KATY FREEWAY		KATY	TX	77494	BERNHARD PAT	20909 B NIMITZ AVE	LAGOBISTA	TX	78645	
110471	1F66F5DY080A02018	2011	BS	CA	3205	F	6/22/2010	7/13/2010	ANSLY	1280 ROUTE 764	PO BOX 239	DUNCANSVILLE	LA	16635	WOODWARD LYNDEL L	6734 JACQUENETTA DRIVE	SPARKS	NV	89438	
110472	1F6MF53Y290A01567	2011	BS	CA	2702	F	6/24/2010	7/15/2010	GUARANY RV	20 HWY 99 SOUTH	PO BOX 279	JUNCTION CITY	OR	97448	O'BRIEN ROBERT S	33107 KUHN LANE	HERMISTON	OR	97858	
110473	1F66F5DY680A02153	2011	BS	CA	3302	F	6/30/2010	7/20/2010	RON POTTS	5669 JOHNSTOWN UTICA RD		JOHNSTOWN	OH	43031-9408						
110474	1F65F5DY080A00233	2011	BS	CA	2901	F	7/12/2010	7/21/2010	ANCIRA	30500 IH-10 WEST		BOERNE	TX	78006	GOLICH DALE	4901 DAFFODIL 177	MCALLEN	TX	78501	
110475	1F65F5DY280A00234	2011	BS	CA	2901	F	6/29/2010	7/19/2010	MIDSTATE CAMPERS	10400 RECREATIONAL DR		BLACK HAWK	SD	57718-8654	DAVIS ROBERT	1010 WARREN AVE	GILLETTE	WY	82716	
110478	1F65F5DY880A00237	2011	BS	CA	2901	F	7/16/2010	7/28/2010	ANSLY	1280 ROUTE 764	PO BOX 239	DUNCANSVILLE	LA	16635	DOYLE DANIEL	401 MILTON AVE	BALLSTON SPA	NY	12020	
110482	1F66F5DY780A02422	2011	BS	CA	3302	F	7/26/2010	8/4/2010	ANCIRA	30500 IH-10 WEST		BOERNE	TX	78006	BECKMAN MARY E	415 CHURCH STREET #1604	NASHVILLE	TN	37219	
110484	1F66F5DY580A02645	2011	BS	CA	3302	F	7/22/2010	8/3/2010	GORES DICK	14590 DUVAL PLACE WEST		JACKSONVILLE	FL	32218	WILLIAMS DANIEL C	1011 ETHAN RD	SEVIERVILLE	TN	37876	
110485	1F66F5DY980A02423	2011	BS	CA	2902	F	8/3/2010	8/12/2010	LEES RV CITY	13111 N BROADWAY EXT		OKLAHOMA CITY	OK	73114	SNYDER DON	PO BOX 20466	OKLAHOMA CITY	OK	73136	
110486	1F65F5DY080A01348	2011	BS	CA	2901	F	7/29/2010	8/9/2010	NORTH TRAIL	LEE COUNTY RV SALES CO	5270 ORANGE RIVER BLVD	FORT MYERS	FL	33905	HALDOS PETER A	4540 GA BLVD #216	PALM BEACH GARDENS	FL	33418	
110487	1F66F5DY780A02565	2011	BS	CA	2902	F	7/28/2010	8/6/2010	NORTH TRAIL	LEE COUNTY RV SALES CO	5270 ORANGE RIVER BLVD	FORT MYERS	FL	33905	ROBINSON HAROLD	11405 94TH ST DR	LARGO	FL	33773	
110490	1F65F5DY980A01350	2011	BS	CA	2901	F	8/3/2010	8/12/2010	GUARANY RV	20 HWY 99 SOUTH	PO BOX 279	JUNCTION CITY	OR	97448	KRIZ SKIP	33405 LAKESIDE DR	EUGENE	OR	97401	
110491	1F65F5DY280A01349	2011	BS	CA	2901	F	8/5/2010	8/16/2010	GUARANY RV	20 HWY 99 SOUTH	PO BOX 279	JUNCTION CITY	OR	97448	PEARSON STEVE	845 VICTORIA FALLS DRIVE	REDMOND	OR	97756	
110492	1F65F5DY080A01351	2011	BS	CA	2901	F	8/6/2010	8/17/2010	HOLIDAY MOTORHOME	6300 PACIFIC HWY E		FIFE	WA	98424-1536	STRUH LEROY	1213 12TH AVE S E	PUYALLUP	WA	98372	
110493	1F66F5DY180A02562	2011	BS	CA	2901	F	8/11/2010	8/20/2010	TOM LINDSTROM	5152 COMMERCIE AVE		MOORPARK	CA	93021-1761	METCALF DAVID	1232 BRCLAY CT	WESTLAKE VILLAGE	CA	91361	
110495	1F66F5DY980A00283	2011	BS	CA	3302	F	8/20/2010	8/31/2010	DAVES RV	SIMSO DAVID W	2 INDUSTRIAL PARK PLAZA	DANBURY	CT	06810	MELFI JANET	103 DELAWARE ROAD	EASTON	CT	6612	
110496	1F66F5DY580A02421	2011	BS	CA	3405	F	8/13/2010	8/24/2010	TOM LINDSTROM	5152 COMMERCIE AVE		MOORPARK	CA	93021-1761	ST AMANT DAVID	4525 HEATHER GLEN CT	MOORPARK	CA	93021	
110497	1F66F5DY080A00124	2011	BS	CA	3302	F	8/17/2010	8/27/2010	TOM LINDSTROM	5152 COMMERCIE AVE		MOORPARK	CA	93021-1761						
110499	1F65F5DY180																			

110537	1F65F5DY8B0A05096	2011	BS	CA	2702	F	10/22/2010	11/2/2010	NORTH TRAIL	LEE COUNTY RV SALES CO	5270 ORANGE RIVER BLVD	FORT MYERS	FL	33905	KIRK CAROLYN E	301 COCONUT AVENUE	ENGLEWOOD	FL	34223	
110538	1F66F5DY680A05294	2011	BS	CA	3302	F	11/8/2010	11/17/2010	HOLIDAY WORLD OF HOUSTON	28909 KATY FREEWAY					77494 ITEEN EDWARD	6019 S PERE MARQUETTE	LUDINGTON	MI	49431	
110539	1F65F5DYXB0A05097	2011	BS	CA	2901	F	11/9/2010	11/18/2010	PROFESSIONAL SALES	1809 JOHN MCCAIN RD	PO BOX 1018	COLLEVILLE	TX	76034-6371	STIEBING JAMES	1909 CAMDEN CT	ARLINGTON	TX	76013	
110540	1F65F5DY180A05098	2011	BS	CA	2901	F	11/9/2010	11/18/2010	SIERRA RV	AMERICAN RV RENTALS INC	9125 S VIRGINIA ST	RENO	NV	89511	MASINI LAWRENCE B	11 N MAIN ST	YERINGTON	NV	89447	
110541	1F65F5DY080A05495	2011	BS	CA	2702	F	11/11/2010	11/22/2010	NORTH TRAIL	LEE COUNTY RV SALES CO	5270 ORANGE RIVER BLVD	FORT MYERS	FL	33905	PETTEN SYLVIA	PO BOX 56	PORT DE GROVE	NL	AOA 310	
110542	1F66F5DYXB0A05492	2011	BS	CA	3405	F	11/8/2010	11/17/2010	NORTH TRAIL	LEE COUNTY RV SALES CO	5270 ORANGE RIVER BLVD	FORT MYERS	FL	33905	KAPLAN DAVID A	4924 SW 165 AVE	MIRAMAR	FL	33027	
110543	1F66F5DY980A05497	2011	BS	CA	3405	F	11/18/2010	11/30/2010	NORTH TRAIL	LEE COUNTY RV SALES CO	5270 ORANGE RIVER BLVD	FORT MYERS	FL	33905	DOUCET THOMAS	14 GLENDALE CRESSANT	MONKTON	NB	E1E 327	
110544	1F66F5DY880A05295	2011	BS	CA	2902	F	11/10/2010	11/19/2010	NORTH TRAIL	LEE COUNTY RV SALES CO	5270 ORANGE RIVER BLVD	FORT MYERS	FL	33905						
110545	1F65F5DY980A05494	2011	BS	CA	2702	F	11/15/2010	11/24/2010	BECKLEYS	BECKLEYS ENTERPRISES INC	11109 ANGLEBERGER RD	THURMONT	MD	21788	MC GEE HUGH J	32 CHESTNUT STREET	LUMBERTON	NJ	8048	
110546	1F65F5DY780A05493	2011	BS	CA	2702	F	11/16/2010	11/29/2010	GUARANTY RV	20 HWY 99 SOUTH	PO BOX 279	JUNCTION CITY	OR	97448	BRIDGES VERONA L	7031 JACKS RD	LANTZVILLE	BC	VOR 2HO	
110547	1F65F5DY280A05496	2011	BS	CA	2901	F	11/16/2010	11/29/2010	WILKINS	7520 STATE ROUTE 415		BATH	NY	14810	FORNADDEL DANIEL J	129 OAKHAVEN DR	FREEDOM	PA	15042	
110548	1F66F5DY280A05597	2011	BS	CA	3302	F	11/12/2010	11/23/2010	GORES DICK	14590 DUVAL PLACE WEST		JACKSONVILLE	FL	32218	ALLISON ROBERT S	66034 SANDY POINTE CIRCLE	FERNANDINA BEACH	FL	32034	
110549	1F65F5DY680A05100	2011	BS	CA	2901	F	11/30/2010	12/8/2010	NORTH TRAIL	LEE COUNTY RV SALES CO	5270 ORANGE RIVER BLVD	FORT MYERS	FL	33905	GIBSON ANTHONY	2578 WINGTONGTON PEAK DR	RIO RANCHO	NM	87144	
110550	1F65F5DY880A05602	2011	BS	CA	2702	F	11/19/2010	12/2/2010	NORTH TRAIL	LEE COUNTY RV SALES CO	5270 ORANGE RIVER BLVD	FORT MYERS	FL	33905	NEGLEY EDWARD T	8 SABRE LANE	NAPLES	FL	34102	
110551	1F65F5DYXB0A05603	2011	BS	CA	2901	F	11/22/2010	12/2/2010	NORTH TRAIL	LEE COUNTY RV SALES CO	5270 ORANGE RIVER BLVD	FORT MYERS	FL	33905						
110552	1F66F5DY080A05744	2011	BS	CA	3302	F	11/29/2010	12/8/2010	NORTH TRAIL	LEE COUNTY RV SALES CO	5270 ORANGE RIVER BLVD	FORT MYERS	FL	33905						
110553	1F66F5DY080A05887	2011	BS	CA	3302	F	11/29/2010	12/8/2010	TOM LINDSTROM	5152 COMMERCIE AVE		MOORPARK	CA	93021-1761	MURATA MIKE	512 ASTORIAN	SIMI VALLEY	CA	93065	
110554	1F66F5DY980A05743	2011	BS	CA	2901	F	11/24/2010	12/7/2010	TERRY LABONTE	TRADERS CHEVROLET LLC	1401 BRIDFORD PKWY	GREENSBORO	NC	27407-2657	MURPHY MICHAEL R	2315 MARY GOODWYN RD	POWHATAN	VA	23139	
110555	1F66F5DY480A05889	2011	BS	CA	3302	F	12/7/2010	12/15/2010	INDEPENDENCE	12705 WEST COLONIAL DR		WINTER GARDEN	CA	34787	LOGSTON KARLA	4337 RIVER BIRCH LN	FLEMING ISLAND	FL	32003	
110556	1F65F5DY380A05748	2011	BS	CA	2901	F	12/6/2010	12/14/2010	TOM LINDSTROM	5152 COMMERCIE AVE		MOORPARK	CA	93021-1761	RIDER TERRY	2644 SANDALWOOD DRIVE	EL CENTRO	CA	92243-9208	
110557	1F65F5DY080A06209	2011	BS	CA	2901	F	12/3/2010	12/14/2010	INDEPENDENCE	5152 COMMERCIE AVE	12705 WEST COLONIAL DR	WINTER GARDEN	CA	34787	HICKS ROBERT	18829 WATER LILY LANE	HUDSON	FL	34667	
110558	1F65F5DY980A06208	2011	BS	CA	2901	F	11/23/2010	12/6/2010	FREEDOM	3735 E IRVINGTON RD		TUCSON	AZ	85714	CHRISTIAN SANDRA E	511 E TIEMPO DEL SOL	FLORENCE	AZ	85132	
110559	1F66F5DY280A05888	2011	BS	CA	2901	F	12/7/2010	12/16/2010	DAVES RV	SIMSO DAVID W	2 INDUSTRIAL PARK PLAZA	DANBURY	CT	06810	HINES MICHAEL E	595 MAY STREET	NAUGATUCK	CT	6770	
110562	1F65F5DY380A05099	2011	BS	CA	2901	F	1/3/2011	1/13/2011	STEINBRING	7390 COUNTY ROAD 82	PO BOX 160	GARFIELD	MN	56332	CLINE RANDEL	1120 E LAUREL AVE LOT 25	FOLEY	AL	36535	
110563	1F66F5DY280A06054	2011	BS	CA	2901	F	12/15/2010	1/11/2011	MOUNT COMFORT	5935 W 225 N		GREENFIELD	IN	46140	TIMMER WILLIAM T	2902 GLEN HILL COURT	LOUISVILLE	KY	40222	
110565	1F66F5DY480A06055	2011	BS	CA	2901	F	1/4/2011	1/13/2011	BECKLEYS	BECKLEYS ENTERPRISES INC	11109 ANGLEBERGER RD	THURMONT	MD	21788	LONG JOSEPH A	2204 PAYNES FORD RD	MARTINSBURG	WV	25405	
																		ZEPHYR REVOCABLE TRUST		
110566	1F65F5DY080A06369	2011	BS	CA	2901	F	1/5/2011	1/17/2011	NORTH TRAIL	LEE COUNTY RV SALES CO	5270 ORANGE RIVER BLVD	FORT MYERS	FL	33905	(MARK ANDREW *)	3869 W GULF DR	SANIBEL	FL	33957	
110567	1F66F5DY680A06056	2011	BS	CA	2902	F	12/16/2010	1/12/2011	NORTH TRAIL	LEE COUNTY RV SALES CO	5270 ORANGE RIVER BLVD	FORT MYERS	FL	33905	SIMON RONALD D	10540 LA REINA RD	DELRAY BEACH	FL	33446	
110568	1F66F5DY880A06057	2011	BS	CA	3302	F	12/16/2010	1/12/2011	TOM LINDSTROM	5152 COMMERCIE AVE		MOORPARK	CA	93021-1761	EMMERLING ROBERT	420 6TH STREET	MANHATTEN BEACH	CA	90266	
110569	1F65F5DY780A06370	2011	BS	CA	2901	F	1/12/2011	1/21/2011	TOM LINDSTROM	5152 COMMERCIE AVE		MOORPARK	CA	93021-1761	BEARD JEFF	669 CHARRIS STREET	MOORPARK	CA	93021	
110570	1F65F5DY180A06767	2011	BS	CA	2901	F	1/21/2011	2/1/2011	MIDSTATE CAMPERS	10400 RECREATIONAL DR		BLACK HAWK	SD	57718-8654	GLOVER LEANNA	2619 BADGER DR	STURGIS	SD	57785	
110571	1F65F5DY080A07568	2011	BS	CA	2901	F	2/21/2011	3/1/2011	CRAIN RV	CRAIN RV LLC	9801-130	LITTLE ROCK	AR	72209-3305						
110572	1F66F5DYXB0A06058	2011	BS	CA	2901	F	1/26/2011	2/4/2011	HOLIDAY WORLD OF HOUSTON	28909 KATY FREEWAY		KATY	TX	77494	FRITZ WILLIAM J	14315 BROADGREEN DR	HOUSTON	TX	77079	
110573	1F66F5DY180A06059	2011	BS	CA	2901	F	1/25/2011	2/4/2011	GUARANTY RV	20 HWY 99 SOUTH	PO BOX 279	JUNCTION CITY	OR	97448	RUSSELL DEANNA	1535 WHITMAN AVE	MEDFORD	OR	97501	
110574	1F65F5DY380A06768	2011	BS	CA	2901	F	1/19/2011	1/28/2011	NORTH TRAIL	LEE COUNTY RV SALES CO	5270 ORANGE RIVER BLVD	FORT MYERS	FL	33905						
110575	1F66F5DY880A06060	2011	BS	CA	2902	F	1/20/2011	1/31/2011	GUARANTY RV	20 HWY 99 SOUTH	PO BOX 279	JUNCTION CITY	OR	97448	BIGGERSTAFF GLENN	2105 301 ST. S	ROY	WA	98580	
110576	1F66F5DY380A06371	2011	BS	CA	2901	F	2/3/2011	2/11/2011	DAVES RV	SIMSO DAVID W	2 INDUSTRIAL PARK PLAZA	DANBURY	CT	06810	LAWRENCE ARNOLD C	357 OLD WATERBURY RD	SOUTHBURY	CT	6488	
110577	1F65F5DY680A07302	2011	BS	CA	2901	F	1/28/2011	2/8/2011	CAMPERS RV	DEW ENTERPRISES INC	7700 W 70TH ST	SHREVEPORT	LA	71129-2206						
110578	1F65F5DY980A06774	2011	BS	CA	2901	F	2/1/2011	2/10/2011	GORES DICK	14590 DUVAL PLACE WEST		JACKSONVILLE	FL	32218	PAULEY JAMES D	11020 WYNDHAM HOLLOW LN	JACKSONVILLE	FL	32246	
110579	1F65F5DY880A07303	2011	BS	CA	2901	F	2/4/2011	2/14/2011	HARPER	1200 E 10TH ST		GREAT BEND	KS	67530	MEZDZ JAIME	1638 X ROAD	PLAINVILLE	KS	67663	
110580	1F66F5DY580A06372	2011	BS	CA	3302	F	2/9/2011	2/17/2011	ANSLEY	1280 ROUTE 764		DUNCANSVILLE	PA	16635	BARBARA RICHARD J	1549 LEONA AVENUE	SOUTH PARK	PA	15129	
110581	1F66F5DY780A06762	2011	BS	CA	3302	F	2/23/2011	3/4/2011	DIXIE RV	DIXIE RV SUPERSTORES	328 GREEN ACRES DR	DEFUNIAK SPRINGS	FL	32435	GERLACH STEPHEN D	4015 COLLINGSWOOD RD	PENSACOLA	FL	32514	
110582	1F65F5DY980A07312	2011	BS	CA	2901	F	2/14/2011	2/22/2011	DIXIE RV	10241 DESTINATION DRIVE		HAMMOND	LA	70403	KING HUBERT L	73475 BARRY LANE	COVINGTON	LA	70435	
110583	1F65F5DY080A07313	2011	BS	CA	2901	F	2/17/2011	2/24/2011	DIXIE RV	DIXIE RV SUPERSTORES	328 GREEN ACRES DR	DEFUNIAK SPRINGS	FL	32435	JOHNSON DANA L	16208 SKY AVE	PANAMA CITY	FL	32313	
110584	1F65F5DY280A07569	2011	BS	CA	2901	F	2/24/2011	3/7/2011	DIXIE RV	10241 DESTINATION DRIVE		HAMMOND	LA	70403	FORTUNE EDWARD	6904 SPICEWOOD LANE	TALLAHASSEE	FL	32312	
110585	1F66F5DY580A06761	2011	BS	CA	2902	F	2/15/2011	2/23/2011	INDEPENDENCE	5152 COMMERCIE AVE	12705 WEST COLONIAL DR	WINTER GARDEN	IN	46140	BUCHMAN CELIA H	2282 ELLEN LANE NW	DAVENPORT	FL	33897	
110586	1F66F5DYXB0A06772	2011	BS	CA	2901	F	3/11/2011	3/23/2011	MOUNT COMFORT	5935 W 225 N		GREENFIELD	IN	46140	CLEMENS CLAIRE	2282 ELLEN LANE NW	SALEM	OR	97304	
110587	1F65F5DY880A07768	2011	BS	CA	2901	F	3/1/2011	3/10/2011	TOM LINDSTROM	5152 COMMERCIE AVE		MOORPARK	CA	93021-1761	BOUCHE BICKFORD LLC *	2596 MAGELLAN LANE	VISTA	CA	92081	
110588	1F66F5DY980A06763	2011	BS	CA	2901	F	2/28/2011	3/9/2011	BECKLEYS	BECKLEYS ENTERPRISES INC	11109 ANGLEBERGER RD	THURMONT	MD	21788	WRIGHT THOMAS B	1824 QUARTER HORSE DRIVE	WOODSTOCK	MD	21163	
110589	1F66F5DY480A07982	2012	BS	CA	3305	F	3/28/2011	4/6/2011	GUARANTY RV	20 HWY 99 SOUTH	PO BOX 279	JUNCTION CITY	OR	97448	BROMLEY GEORGE W	643 E WINERDUM DR	TUCSON	AZ	85704	
110590	1F66F5DYXB0A06769	2011	BS	CA	3302	F	3/2/2011	3/11/2011	GUARANTY RV	20 HWY 99 SOUTH	PO BOX 279	JUNCTION CITY	OR	97448	SPORCIC VINCENT	7162 PRISM ST S E	LACEY	WA	98513	
110591	1F65F5DY180A07773	2011	BS	CA	2901	F	3/9/2011	3/21/2011	NORTH TRAIL	LEE COUNTY RV SALES CO	5270 ORANGE RIVER BLVD	FORT MYERS	FL	33905-2750	ANGSTADT SYLVIA	7541 EMBASSY BLVD	MIRAMAR	FL	33023	
110592	1F66F5DY780A07314	2011	BS	CA	2902	F	3/17/2011	3/28/2011	NORTH TRAIL	LEE COUNTY RV SALES CO	5270 ORANGE RIVER BLVD	FORT MYERS	FL	33905-2750	GRIMM CHUCK	1009 ALLEN ST	MONTAURSVILLE	PA	17754	
110594	1F66F5DY680A06770	2011	BS	CA	2902	F	3/7/2011	3/16/2011	NORTH TRAIL	LEE COUNTY RV SALES CO	5270 ORANGE RIVER BLVD	FORT MYERS	FL	33905-2750	SHOMERS PETER D	13235 S W 44E	DAVIE	FL	33330	
110595	1F65F5DYXB0A07769	2011	BS	CA	2702	F	3/8/2011	3/17/2011	NORTH TRAIL	LEE COUNTY RV SALES CO	5270 ORANGE RIVER BLVD	FORT MYERS	FL	33905-2750	DELUCA ALBERT	129 WILLOW DALE AVE	TORONTO	ON	M2N 4Y3	
110596	1F65F5DY680A07770	2011	BS	CA	2901	F	3/9/2011	3/18/2011	SKY RIVER	SKY RIVER INC	5187 SOUTHFRONT RD	LIVERMORE	CA	94551-9500	BRANSTAD ROBERT	1469 SANDPIPER SPIT	RICHMOND	CA	94801	
110597	1F65F5DY880A07771	2011	BS	CA	2901	F	3/4/2011	3/15/2011	TOM LINDSTROM	5152 COMMERCIE AVE		MOORPARK	CA	93021-1761	STARR STANLEY L	5869 N W SPRING HILL	ALBANY	OR	97321	
110598	1F65F5DYXB0A07772	2011	BS	CA	2901	F	3/10/2011	3/21/2011	TOM LINDSTROM	5152 COMMERCIE AVE		MOORPARK	CA	93021-1761	LUNDBERG GARY	7109 NE 57TH ST	VANCOUVER	WA	98661	
110599	1F66F5DY180A06773	2011	BS	CA	2901	F	3/14/2011	3/23/2011	TOM LINDSTROM	5152 COMMERCIE AVE		MOORPARK	CA	93021-1761	URBAN GEORGE G	PO 1153 13 MORNING GLORY LANE	COLUMBUS	MT	59019	
110600	1F65F5DY380A07774	2011	BS	CA	2702	F	3/11/2011	3/22/2011	ANSLEY	1280 ROUTE 764	PO BOX 239	DUNCANSVILLE	PA	16635	KING ROBERT J					

110643	1F65F5DY280A08897	2011	BS	CA	2901 F	5/16/2011	5/25/2011	TOM LINDSTROM	5152 COMMERCE AVE		MOORPARK	CA	93021-1761	WOOD DONALD E	24 DISCOVERY RIDGE CRESCENT SW	CALGARY	AB	T3H 4R3
110644	1F66F5DYX80A00292	2012	BS	CA	2901 F	5/31/2011	6/13/2011	GUARANTY RV	20 HWY 99 SOUTH	PO BOX 279	JUNCTION CITY	OR	97448	OUELLETTE GERALD B	1260 NW NAITO PARKWAY #502	PORTLAND	OR	97209
110645	1F66F5DY180A00293	2012	BS	CA	2901 F	5/26/2011	6/8/2011	GUARANTY RV	20 HWY 99 SOUTH	PO BOX 279	JUNCTION CITY	OR	97448	GODFREY ERROR E	20009 ILMARI RD	CLATSkanie	OR	97016
110646	1F65F5DY480A08898	2011	BS	CA	2702 F	5/25/2011	6/7/2011	GUARANTY RV	20 HWY 99 SOUTH	PO BOX 279	JUNCTION CITY	OR	97448	BROWN REX	694 N W EVANS	SHERIDAN	OR	97378
110647	1F65F5DY680A08899	2011	BS	CA	2702 F	5/20/2011	6/1/2011	GUARANTY RV	20 HWY 99 SOUTH	PO BOX 279	JUNCTION CITY	OR	97448	TOTTEN DANIEL E	5174 S E CASA DEL RAY DR	MILWAUKIE	OR	97222
110648	1F65F5DY380A09847	2011	BS	CA	2901 F	5/19/2011	5/31/2011	ANSLEY	1280 ROUTE 764	PO BOX 239	DUNCANVILLE	PA	16635	DOCHERTY HOWARD A	4446 WOODHILL DRIVE	MUNTHALL	PA	15120
110649	1F66F5DY980A10151	2012	BS	CA	3310 F	5/27/2011	6/10/2011	PROFESSIONAL SALES	1809 JOHN MCCAIN RD	PO BOX 1018	COLLEVILLE	TX	76034-6371	JOHNSON JAMES	2607 S MAIN	WEATHERFORD	TX	76092
110650	1F66F5DY880A09993	2012	BS	CA	3305 F	6/6/2011	6/15/2011	PROFESSIONAL SALES	1809 JOHN MCCAIN RD	PO BOX 1018	COLLEVILLE	TX	76034-6371	FATONE MIKE	1109 HERITAGE RD	BURK BURNETT	TX	76354
110651	1F66F5DY680A09846	2012	BS	CA	3002 F	6/8/2011	6/17/2011	PROFESSIONAL SALES	1809 JOHN MCCAIN RD	PO BOX 1018	COLLEVILLE	TX	76034-6371	BOWMAN BERNARD	6601 SUMMIT RIDGE	WATAUGA	TX	76149
110652	1F66F5DYX80A09994	2012	BS	CA	3310 F	6/7/2011	6/16/2011	STEINBRING	7390 COUNTY ROAD 82	PO BOX 160	GARFIELD	MN	56332	HARRISON IVAN	7518 HAMILTON AVE	BURR RIDGE	IL	60527
110653	1F65F5DY580A09848	2012	BS	CA	2901 F	5/25/2011	6/8/2011	GUARANTY RV	20 HWY 99 SOUTH	PO BOX 279	JUNCTION CITY	OR	97448	PLUMB BOB	202 FOREST LANE	BELLINGHAM	WA	98225
110657	1F66F5DY780A10150	2012	BS	CA	3305 F	6/14/2011	6/23/2011	MOUNT COMFORT	5935 W 225 N		GREENFIELD	IN	46140	KUHN G E	310 ADRIAN AVE	MT WASHINGTON	KY	40047
110659	1F65F5DY780A09849	2012	BS	CA	2901 F	6/9/2011	6/20/2011	LEES RV CITY	13111 N BROADWAY EXT		OKLAHOMA CITY	OK	73114	STUKA RICHARD	4983 TOLO WAY	OCEANSIDE	CA	92056
110660	1F66F5DY180A09995	2012	BS	CA	3305 F	6/10/2011	6/21/2011	LEES RV CITY	13111 N BROADWAY EXT		OKLAHOMA CITY	OK	73114	NORTON JAMES	4840 DEL AIRE DR	DEL CITY	OK	73135
110661	1F66F5DY380A09996	2012	BS	CA	2901 F	6/15/2011	6/27/2011	TERRY LABONTE	TRADERS CHEVROLET LLC	1401 BRIDFORD PKWY	GREENSBORO	NC	27407-2657	SAUCERMAN JOHN F	402 BEECHWOOD LN	WOODSTOCK	GA	30189
110662	1F65F5DY180A09989	2012	BS	CA	2901 F	6/13/2011	6/22/2011	SKY RIVER	SKY RIVER INC	5187 SOUTHFRONT RD	LIVERMORE	CA	94551-9500	CANTOR STEVEN	89 MONTEGO KEY DR	NAVATO	CA	94949
110663	1F66F5DY080A10152	2012	BS	CA	3302 F	6/22/2011	7/12/2011	ANSLEY	1280 ROUTE 764	PO BOX 239	DUNCANVILLE	PA	16635	WECHTALKU MICHAEL	3993 COLLEGE AVE	CORNING	NY	14830
110664	1F65F5DY880A09990	2012	BS	CA	2901 F	6/21/2011	6/30/2011	ANSLEY	1280 ROUTE 764	PO BOX 239	DUNCANVILLE	PA	16635	ADERHOLD HOWARD C	1108 ARTHUR ROAD	MONTGOURSVILLE	PA	17754
110667	1F65F5DYX80A09991	2012	BS	CA	2901 F	6/16/2011	6/28/2011	MIDWAY	5590 S DIVISION AVE		GRAND RAPIDS	MI	49548	FARKAS WILLIAM	3212 ARGYLE DRIVE	LANSING	MI	48911
110668	1F66F5DY480A09845	2012	BS	CA	2901 F	6/29/2011	7/18/2011	BECKLEYS	BECKLEYS ENTERPRISES INC	11109 ANGLEBERGER RD	THURMONT	MD	21788	DWYER DONNA S	15001 DONNA DRIVE	SILVER SPRING	MD	20905
110669	1F65F5DY180A09992	2012	BS	CA	2901 F	6/29/2011	7/19/2011	SIERRA RV	9125 S VIRGINIA ST		RENO	NV	89511	ALLRED CINDY	1855 S GUAM STREET	RIDGECREST	CA	93555
110670	1F66F5DYX80A10434	2012	BS	CA	3002 F	6/30/2011	7/19/2011	SIERRA RV	AMERICAN RV RENTALS INC	9125 S VIRGINIA ST	RENO	NV	89511	CRANK EARL	23 MARILYN MAE DR	SPARKS	NV	89441
110675	1F66F5DY980A10280	2012	BS	CA	3310 F	9/6/2011	9/15/2011	FREEDOM	3735 E IRVINGTON RD		TUCSON	AZ	85714	NORTON JOHN K	31723 LEWARD COURT	AVON LAKE	OH	44012
110676	1F66F5DY280A10282	2012	BS	CA	3002 F	9/9/2011	9/20/2011	FREEDOM	3735 E IRVINGTON RD		TUCSON	AZ	85714	COTTINGHAM JOHN	3595 SKAHA LAKE RD #333	PENICONT	BC	V7A 7K2
110678	1F65F5DY280A10276	2012	BS	CA	2901 F	7/22/2011	8/3/2011	WILKINS	7520 STATE ROUTE 415		BATH	NY	14810	ZAKORCHEVNOY HARRY M	5057 SCATMOTT RD	FORESTPORT	NC	17288
110679	1F66F5DY480A10543	2012	BS	CA	3002 F	7/25/2011	8/4/2011	INDEPENDENCE	& SERVICE INC	12705 WEST COLONIAL DR	WINTER GARDEN	FL	34787	SMITH SHELDON T	8326 GUNN HWY	TAMPA	FL	33626
110680	1F65F5DY480A10277	2012	BS	CA	2901 F	7/27/2011	8/9/2011	INDEPENDENCE	& SERVICE INC	12705 WEST COLONIAL DR	WINTER GARDEN	FL	34787	CRANE FRANK E	131 LAKEVIEW LANE	MT DORA	FL	32757
110681	1F66F5DY880A10612	2012	BS	CA	3002 F	7/26/2011	8/9/2011	TOM LINDSTROM	5152 COMMERCE AVE		MOORPARK	CA	93021-1761	LITSCHER RALPH	150 ROYAL FARM E	BLACKBLCK	OH	43004
110682	1F65F5DY280A11069	2012	BS	CA	2901 F	7/27/2011	8/10/2011	TOM LINDSTROM	5152 COMMERCE AVE		MOORPARK	CA	93021-1761	PARKER GERHARD	17688 BLACKBERRY HILL DR	LOS GATOS	CA	95030
110683	1F65F5DY980A11070	2012	BS	CA	2901 F	7/28/2011	8/10/2011	GORES DICK	14590 DUVAL PLACE WEST		JACKSONVILLE	FL	32218	PILL STEVEN B	1575 AGNES AVE SE	PALM BAY	FL	32909
110684	1F66F5DY380A11747	2012	BS	CA	3302 F	8/2/2011	8/15/2011	DAVES RV	SIMSO DAVID W	2 INDUSTRIAL PARK PLAZA	DANBURY	CT	06810	GALBERT KENNETH O	32 FARAWAY RD	ARMONK	NY	10504
110685	1F66F5DY180A10614	2012	BS	CA	3305 F	8/3/2011	8/15/2011	INDEPENDENCE	& SERVICE INC	12705 WEST COLONIAL DR	WINTER GARDEN	FL	34787	GARRINGER COLLEEN	434 VIRGINIA AVE	HAGERSTOWN	MD	21740
110686	1F66F5DY180A11696	2012	BS	CA	3302 F	8/8/2011	8/17/2011	GORES DICK	14590 DUVAL PLACE WEST		JACKSONVILLE	FL	32218	DAVIS STUART H	463688 STATE ROAD 200 SUITE 1 - 537	YULEE	FL	32097
110687	1F65F5DY080A11071	2012	BS	CA	2702 F	8/10/2011	8/19/2011	GUARANTY RV	20 HWY 99 SOUTH	PO BOX 279	JUNCTION CITY	OR	97448	FALLERT LAWRENCE W	16906 5TH ST - PO BOX 1508	BROOKING	OR	97415
110688	1F65F5DY580A11325	2012	BS	CA	2702 F	8/3/2011	8/16/2011	GUARANTY RV	20 HWY 99 SOUTH	PO BOX 279	JUNCTION CITY	OR	97448	LAURANCE MARY D	243 JAMES ST / PO BOX 974	CANYONVILLE	OR	97417
110689	1F66F5DY380A10615	2012	BS	CA	2901 F	8/8/2011	8/17/2011	GUARANTY RV	20 HWY 99 SOUTH	PO BOX 279	JUNCTION CITY	OR	97448	KLIMKO WAYNE E	419 PALO VERDE WAY	CENTRAL POINT	OR	97502
110690	1F66F5DYX80A11695	2012	BS	CA	3002 F	8/9/2011	8/18/2011	GUARANTY RV	20 HWY 99 SOUTH	PO BOX 279	JUNCTION CITY	OR	97448	PLUMMER SALLY A	863 ST ANDREWS WAY	EAGLE POINT	OR	97524
110691	1F66F5DY380A11697	2012	BS	CA	3302 F	8/15/2011	8/25/2011	CAMPERS RV	DEW ENTERPRISES INC	7700 W 70TH ST	SHREVEPORT	LA	71129-2206	BYENIA THOMAS G	217 DELTA DR	JOHNSTOWN	PA	15904
110692	1F65F5DY780A11326	2012	BS	CA	2901 F	8/10/2011	8/22/2011	CAMPERS RV	DEW ENTERPRISES INC	7700 W 70TH ST	SHREVEPORT	LA	71129-2206	BOOTHE RUSSELL L	1521 COUNTRY CLUB CR	MINDEN	LA	71055
110693	1F65F5DY080A11619	2012	BS	CA	2901 F	8/12/2011	8/23/2011	MOUNT COMFORT	5935 W 225 N		GREENFIELD	IN	46140	ONE MOORE PROPERTY LLC *	1551 CHERRY TREE RD	AVON	IN	46122
110694	1F65F5DY980A11618	2012	BS	CA	2901 F	8/15/2011	8/24/2011	ANSLEY	1280 ROUTE 764	PO BOX 239	DUNCANVILLE	PA	16635	WEST HAROLD E	12036 WILSHIRE DR	NORTH HUNTINGDON	PA	15642
110695	1F66F5DY780A11699	2012	BS	CA	2901 F	8/19/2011	8/30/2011	BECKLEYS	BECKLEYS ENTERPRISES INC	11109 ANGLEBERGER RD	THURMONT	MD	21788	BAUST DARRYL L	12057 CEDARBROOK LANE	LAUREL	MD	20708
110696	1F65F5DY280A11329	2012	BS	CA	2901 F	8/17/2011	8/26/2011	MIDWAY	5590 S DIVISION AVE		GRAND RAPIDS	MI	49548	PENA MARTIN	3400 CLYDE PARK AVE SW	WYOMING	MI	49509
110697	1F65F5DY980A11327	2012	BS	CA	2702 F	8/16/2011	8/25/2011	SKY RIVER	6700 GOLDEN GATE DRIVE	SUITE B	DUBLIN	CA	94568-2910	MOUTAFIAN ADAM	4045 NEWPORT LAND	DISCOVERY BAY	CA	94505
110698	1F66F5DYX80A10613	2012	BS	CA	2901 F	8/17/2011	8/29/2011	SKY RIVER	6700 GOLDEN GATE DRIVE	SUITE B	DUBLIN	CA	94568-2910	LESKO JAY	500 STARLIGHT LANE	ARROYO GRANDE	CA	93420
110699	1F66F5DY580A11698	2012	BS	CA	3310 F	8/12/2011	8/24/2011	SKY RIVER	6700 GOLDEN GATE DRIVE	SUITE B	DUBLIN	CA	94568-2910	STROHMAYER RICK	4161 LA MADRONA	SANTA CRUZ	CA	95060
110700	1F66F5DY580A11748	2012	BS	CA	3002 F	8/23/2011	9/1/2011	SKY RIVER	6700 GOLDEN GATE DRIVE	SUITE B	DUBLIN	CA	94568-2910	SHELTON ROBERT A	13574 SAGE MEADOW LANE	VALLEY CENTER	CA	92082
110701	1F66F5DY080A10278	2012	BS	CA	3302 F	8/24/2011	9/6/2011	ANSLEY	1280 ROUTE 764	PO BOX 239	DUNCANVILLE	PA	16635	FREDERICK JOHN A	1511 FORDHAM CIRCLE	ALTOONA	PA	16602
110702	1F65F5DY080A11328	2012	BS	CA	2901 F	8/18/2011	8/30/2011	PROFESSIONAL SALES	1809 JOHN MCCAIN RD		COLLEVILLE	TX	76034-6371	FISCHER CRAIG S	2421 MAVERICK DR	PLANO	TX	75072
110703	1F66F5DY280A10279	2012	BS	CA	2901 F	8/31/2011	9/13/2011	HOLIDAY WORLD OF HOUSTON	28909 KATY FREEWAY		KATY	TX	77494	WISCHNEWSKY ADOLPH	22057 STONE CREEK LN	MONTGOMERY	TX	77316
110704	1F66F5DY480A10283	2012	BS	CA	2901 F	9/16/2011	9/28/2011	HOLIDAY WORLD OF HOUSTON	28909 KATY FREEWAY		KATY	TX	77494	STEVENS PAULA	151 TERRYTOWN WAY	CONROE	TX	77384
110709	1F66F5DY080A10281	2012	BS	CA	2901 F	9/1/2011	9/14/2011	GUARANTY RV	20 HWY 99 SOUTH	PO BOX 279	JUNCTION CITY	OR	97448	SHEVLIN BOB	4519 COOPERS HAWK RD	KLAMATA FALLS	OR	97601
110710	1F66F5DY480A00290	2012	BS	CA	2901 F	8/31/2011	9/14/2011	BUDDY GREGG	BGMH ACQUISITION LLC	11730 SNYDER RD	KNOXVILLE	TN	37932	WEBB DAVID	2336 SOUTHEAST OCEAN BLVD	STUART	FL	32946
110711	1F65F5DY580A11700	2012	BS	CA	2901 F	9/19/2011	10/3/2011	GORES DICK	14590 DUVAL PLACE WEST		JACKSONVILLE	FL	32218	ROBERTS JAMES L	1852 ASTON HALL DR E	JACKSONVILLE	FL	32246
110713	1F66F5DY680A00291	2012	BS	CA	3302 F	9/9/2011	9/21/2011	TOM LINDSTROM	5152 COMMERCE AVE		MOORPARK	CA	93021-1761	BREUKLANDER WILLIAM	12301 WILLOW FORREST DR	MOORPARK	CA	93021
110714	1F65F5DY780A11701	2012	BS	CA	2901 F	9/12/2011	9/21/2011	TOM LINDSTROM	5152 COMMERCE AVE		MOORPARK	CA	93021-1761	KAPPEN TERRY	3435 FAIRESTA	LA CRESCENTA	CA	91214
110715	1F66F5DY880A00292	2012	BS	CA	3310 F	9/14/2011	9/26/2011	TOM LINDSTROM	5152 COMMERCE AVE		MOORPARK	CA	93021-1761	STEPHEN B MAIMAN TRUST *	1500 S EVERGREEN AVE	LOS ANGELES	CA	90023
110716	1F66F5DY380A00507	2012	BT	CA	3310 F	10/10/2011	10/19/2011	NORTH TRAIL	LEE COUNTY RV SALES CO	5270 ORANGE RIVER BLVD	FORT MYERS	FL	33905-2750	DESPEGAR CORP *	6917 COLLINS AVE #709	MIAMAMI BEACH	FL	33141
110717	1F65F5DY980A00608	2012	BT	CA	2901 F	10/13/2011	10/24/2011	NORTH TRAIL	LEE COUNTY RV SALES CO	5270 ORANGE RIVER BLVD	FORT MYERS	FL	33905-2750	PICKERING RONALD A	2889 SOMERSET ROAD	LANTANA	FL	33462
110718	1F65F5DY280A11704	2012	BS	CA	2901 F	9/21/2011	10/4/2011	ANSLEY	1280 ROUTE 764	PO BOX 239	DUNCANVILLE	PA	16635	BUSH GERALD G	199 NITTANY LANE	ALTOONA	PA	16601
110719	1F66F5DYX80A00293	2012	BS	CA	3002 F	10/4/2011	10/13/2011	TOM LINDSTROM	5152 COMMERCE AVE		MOORPARK	CA	93021-1761	HALBUR JOHN	4472 MISTY WAY	YORBA LINDA	CA	92886
110720	1F66F5DY180A00294	2012	BS	CA														

110758	1F66F5DY5COA02694	2012	BS	CA	2901	F	2/2/2012	2/13/2012	BUDDY GREGG	BGMH ACQUISITION LLC	11730 SNYDER RD	KNOXVILLE	TN	37932	JOHNSTONE DOUGLAS K	12933 BUTTERFIELD LANE	KNOXVILLE	TN	37934	
110759	1F66F5DYXCOA02609	2012	BS	CA	3310	F	1/19/2012	1/30/2012	BUDDY GREGG	BGMH ACQUISITION LLC	11730 SNYDER RD	KNOXVILLE	TN	37932	PRATER KIMBERLY A	238 DICKERSON RD	MORRISTOWN	TN	37357	
110760	1F66F5DY6COA02610	2012	BS	CA	3002	F	1/25/2012	2/2/2012	FREEDOM	3735 E IRVINGTON RD		TUCSON	AZ	85714	EDGE DON W	5411 N. PIONEER DR	ELOY	AZ	85131	
110761	1F65F5DYXCOA00807	2012	BT	CA	2901	F	1/20/2012	1/31/2012	MOUNT COMFORT	5935 W 225 N	2 INDUSTRIAL PARK PLAZA	GREENFIELD	CT	06810	RZEPCEZYNSKI LARRY	466 S 500 WEST	VALPARAISO	IN	46385	
110763	1F66F5DY8COA02608	2012	BT	CA	3310	F	1/16/2012	1/26/2012	DAVES RV	28909 KATY FREEWAY		DANBURY	CT	06810	JUDD BRUCE	3 GLOVER AVE	NEWTOWN	CT	6470	
110764	1F65F5DY6COA02702	2012	BT	CA	2901	F	2/22/2012	3/5/2012	HOLIDAY WORLD OF HOUSTON	28909 KATY FREEWAY		KATY	TX	77494	YOUNG ROBERT	501 CANADIAN	VICTORIA	TX	77908	
110765	1F66F5DY8COA03014	2012	BT	CA	3310	F	2/21/2012	3/1/2012	HOLIDAY WORLD OF HOUSTON	28909 KATY FREEWAY		KATY	TX	77494	BROUILLET DON	38 S. FROSTED POND	THE WOODLANDS	TX	77381	
110772	1F65F5DYXCOA00287	2012	BT	CA	2901	F	1/18/2012	1/27/2012	BECKLEYS	BECKLEYS ENTERPRISES INC	11109 ANGLEBERGER RD	THURMONT	MD	21788	PRATT GARY F	11 SCHNEIDER DRIVE	SKYVILLE	MD	21784	
110773	1F66F5DY6COA02607	2012	BT	CA	3310	F	1/12/2012	1/23/2012	GORES DICK	14590 DUVAL PLACE WEST		JACKSONVILLE	FL	32218	WARD OTIS F	2659 EAST NC 24 HWY	BEULAVILLE	NC	28158	
110774	1F65F5DY8COA00286	2012	BT	CA	2901	F	1/13/2012	1/24/2012	GORES DICK	14590 DUVAL PLACE WEST		JACKSONVILLE	FL	32218	GARBCEKI ROBERT P	2350 FAIRFIELD CT	FLEMING ISLAND	FL	32003	
110775	1F66F5DY1COA02692	2012	BS	CA	3305	F	1/23/2012	1/31/2012	NORTH TRAIL	LEE COUNTY RV SALES CO	5270 ORANGE RIVER BLVD	FORT MYERS	FL	33905-2750	HOPKINS VIVIEN L	574 CRESSY BAYSIDE R4	PICTON	ON	K0K Z70	
110776	1F65F5DY6COA00805	2012	BT	CA	2702	F	1/26/2012	2/3/2012	GUARANTY RV	20 HWY 99 SOUTH		JUNCTION CITY	OR	97448	PANKS GERALD D	191 SARADAN LN	GRANTS PASS	OR	97527	
110777	1F65F5DY4COA00950	2012	BT	CA	2702	F	2/2/2012	2/13/2012	GUARANTY RV	20 HWY 99 SOUTH		JUNCTION CITY	OR	97448	RILEY PHILIP	1681 SE PELTON CT	HILLSBORO	OR	97123	
110778	1F65F5DY4COA00947	2012	BT	CA	2901	F	1/24/2012	2/2/2012	GUARANTY RV	20 HWY 99 SOUTH		JUNCTION CITY	OR	97448	NEW RALPH E	1102 COPPET STREET	FAIRBANKS	AK	99709	
110779	1F65F5DY6COA00951	2012	BT	CA	2901	F	1/31/2012	2/8/2012	GUARANTY RV	20 HWY 99 SOUTH		JUNCTION CITY	OR	97448	HAWKINS ANTHONY F	10625 SW CITATION DR	BEAVERTON	OR	97008	
110780	1F66F5DY4COA02816	2012	BS	CA	3302	F	2/7/2012	2/16/2012	TERRY LABONTE	TRADERS CHEVROLET LLC	1401 BRIDFORD PKWY	GREENSBORO	NC	27407-2657	MILTON LEON P	2336 PORTLAND DRIVE	MARYVILLE	TN	37803	
110781	1F65F5DY8COA00952	2012	BT	CA	2901	F	1/27/2012	2/7/2012	GUARANTY RV	20 HWY 99 SOUTH		JUNCTION CITY	OR	97448						
110784	1F65F5DY1COA02008	2012	BT	CA	2901	F	2/3/2012	2/14/2012	TERRY LABONTE	TRADERS CHEVROLET LLC	1401 BRIDFORD PKWY	GREENSBORO	NC	27407-2657						
110785	1F66F5DY3COA02693	2012	BT	CA	3310	F	2/6/2012	2/16/2012	TERRY LABONTE	TRADERS CHEVROLET LLC	1401 BRIDFORD PKWY	GREENSBORO	NC	27407-2657	MOORE DARYL C	172 KOTE STREET	GRAY	TN	37615	
110786	1F65F5DY4COA02701	2012	BT	CA	2702	F	2/4/2012	2/24/2012	FREEDOM	3735 E IRVINGTON RD		TUCSON	AZ	85714	DARLING DAVID E	9921 N. SUNSET CREEK PL	TUCSON	AZ	85742	
110787	1F66F5DY4COA03013	2012	BS	CA	3002	F	2/14/2012	2/23/2012	FREEDOM	3735 E IRVINGTON RD		TUCSON	AZ	85714	PUNNAM JAMES R	41851 JENNIFER COURT	MURRIETA	CA	92562	
110788	1F65F5DY3COA02009	2013	BT	CA	2901	F	2/9/2012	2/21/2012	DESERT AUTOPELEX	KORGES ENTERPRISES INC	3335 E MAIN ST	MESA	AZ	85213-8607	LONG THOMAS P	1813 184TH AVE	BELLEVUE	WA	98008	
110789	1F66F5DY8COA03130	2013	BS	CA	3209	F	2/20/2012	3/1/2012	MOUNT COMFORT	5935 W 225 N		GREENFIELD	IN	46140	FOX JAMES L	3363 SEKIU CT	BLOOMINGTON	IN	47404	
110790	1F66F5DY2COA03012	2012	BS	CA	2901	F	2/10/2012	2/21/2012	NORTH TRAIL	LEE COUNTY RV SALES CO	5270 ORANGE RIVER BLVD	FORT MYERS	FL	33905-2750	THACKSON DAVID	11575 S W 51 CT	COOPER CITY	FL	33330	
110791	1F66F5DY8COA03015	2012	BS	CA	3002	F	2/17/2012	2/28/2012	COACHGUIT	5327 S GARRISON AVE		CARTHAGE	MO	64836	LINDSTROM JOHN A	8095 KRICKETT LANE	SEDALIA	MO	65301	
110792	1F66F5DY1COA03132	2012	BS	CA	3002	F	2/28/2012	3/8/2012	TOM LINDSTROM	5152 COMMERCE AVE		MOORPARK	CA	93021-1761	BUTTITTA MARCELLE E	11983 BARRANCA RD	CAMARILLO	CA	93012	
110796	1F66F5DY7COA03135	2012	BS	CA	3002	F	3/2/2012	3/14/2012	NORTH TRAIL	LEE COUNTY RV SALES CO	5270 ORANGE RIVER BLVD	FORT MYERS	FL	33905-2750	CAVA ANTHONY	550 BETHANY VILLAGE CIR	LEHIGH ACRES	FL	33936	
110797	1F66F5DY9COA03136	2012	BS	CA	3305	F	3/5/2012	3/19/2012	NORTH TRAIL	LEE COUNTY RV SALES CO	5270 ORANGE RIVER BLVD	FORT MYERS	FL	33905-2750	GIAQUINTO KATHLEEN	14960 COLLIER BLVD #2138	NAPLES	FL	34119	
110798	1F66F5DY9COA02472	2012	BS	CA	2901	F	3/19/2012	4/9/2012	BECKLEYS	BECKLEYS ENTERPRISES INC	11109 ANGLEBERGER RD	THURMONT	MD	21788	SANFORD DAVID W	13707 GRAHAM COURT	MI AIRY	MD	21771	
110799	1F66F5DY0COA03140	2012	BS	CA	3002	F	3/22/2012	4/12/2012	WILKINS	7520 STATE ROUTE 415		BATH	NY	14810	RUSSELL JOHN H	110 E. CENTER ST #2114	MADISON	SD	57042	
110800	1F66F5DY2COA03138	2012	BS	CA	3305	F	3/15/2012	3/29/2012	NORTH TRAIL	LEE COUNTY RV SALES CO	5270 ORANGE RIVER BLVD	FORT MYERS	FL	33905-2750	COWEN JOHN R	5878 DRAGON DR	LABELLE	FL	33935	
110801	1F66F5DY0COA03137	2012	BS	CA	3305	F	3/14/2012	3/28/2012	NORTH TRAIL	LEE COUNTY RV SALES CO	5270 ORANGE RIVER BLVD	FORT MYERS	FL	33905-2750	LAANSOON HERBERT	23025 CARRO HOLLOW DR	ATHENS	AL	35614	
110802	1F66F5DY4COA03139	2012	BS	CA	3305	F	3/21/2012	4/11/2012	PROFESSIONAL SALES	1809 JOHN MCCAIN RD	PO BOX 1018	COLLEVILLE	TX	76034-6371	LUNA SCOTT	806 GLEN HOLLOW DR	GARLAND	TX	75044	
110803	1F66F5DY9COA03380	2012	BS	CA	3302	F	3/27/2012	4/13/2012	ANSLEY	1280 ROUTE 764		DUNCANVILLE	PA	16635						
110804	1F66F5DY0COA03378	2012	BS	CA	3302	F	3/27/2012	4/16/2012	PROFESSIONAL SALES	1809 JOHN MCCAIN RD	PO BOX 1018	COLLEVILLE	TX	76034-6371	CLAYTON DAVID	2204 DEL RAY CT	ARLINGTON	TX	76013	
110805	1F66F5DY2COA03379	2012	BS	CA	3302	F	3/29/2012	4/17/2012	ANSLEY	1280 ROUTE 764		DUNCANVILLE	PA	16635	BRUNELL KENNETH B	4126 STATE ROUTE 130	STALLSTOWN	PA	15687	
110809	1F65F5DYXCOA04369	2012	BT	CA	2901	F	4/26/2012	5/7/2012	SKY RIVER	SKY RIVER INC	2525 THEATRE DR	PASO ROBLES	CA	93446-9606						
110810	1F65F5DY8COA04371	2012	BT	CA	2901	F	4/27/2012	5/8/2012	SKY RIVER	SKY RIVER INC	2525 THEATRE DR	PASO ROBLES	CA	93446-9606	MANGRAVITA ALDO	76 CALLE DE SAN FRANCISCO	REPUBLIC OF PANAMA	NO	NO	
110811	1F65F5DY6COA04370	2012	BS	CA	2901	F	4/27/2012	5/9/2012	BUDDY GREGG	BGMH ACQUISITION LLC	11730 SNYDER RD	KNOXVILLE	TN	37932	GRAY JAMES	10207 SNOWHILL RD	OOLETWAH	TN	37363	
110812	1F66F5DY6COA03529	2012	BS	CA	3002	F	5/2/2012	5/14/2012	BUDDY GREGG	BGMH ACQUISITION LLC	11730 SNYDER RD	KNOXVILLE	TN	37932	KEYS ROBERT T	3334 BK COVE LANE	LOUISVILLE	TN	37777	
110813	1F66F5DY4COA03383	2012	BS	CA	3002	F	4/18/2012	5/1/2012	GUARANTY RV	20 HWY 99 SOUTH		JUNCTION CITY	OR	97448	JOLMA HOY T	38485 NW SHERMAN HILLS ROAD	NORTH PLAINS	OR	97133	
110816	1F66F5DY2COA03527	2013	BS	CA	2901	F	4/25/2012	5/7/2012	STEINBRING	7390 COUNTY ROAD 82		GARFIELD	MN	56332	HARLICKER ILENE	608 PINETREE DR	PERHAM	MN	56573	
110817	1F66F5DY4COA03531	2013	BS	CA	3209	F	5/2/2012	5/11/2012	STEINBRING	7390 COUNTY ROAD 82		GARFIELD	MN	56332						
110818	1F66F5DY6COA03532	2013	BS	CA	2901	F	4/30/2012	5/10/2012	GUARANTY RV	20 HWY 99 SOUTH		JUNCTION CITY	OR	97448	PLANNETTE HERBERT L	371 ORTH DR	CENTRAL POINT	OR	97502	
110819	1F66F5DY2COA03530	2013	BS	CA	3002	F	5/4/2012	5/15/2012	GUARANTY RV	20 HWY 99 SOUTH		JUNCTION CITY	OR	97448	ABSHERE DARREL R	4792 SPRING MEADOW AVE	EUGENE	OR	97404	
110820	1F66F5DYXCOA03534	2013	BS	CA	3012	F	5/8/2012	5/16/2012	GUARANTY RV	20 HWY 99 SOUTH		JUNCTION CITY	OR	97448	GRAHAM JOHN	PO BOX 231	COBB	CA	95426	
110821	1F66F5DY8COA03533	2013	BS	CA	3012	F	5/8/2012	5/18/2012	GUARANTY RV	20 HWY 99 SOUTH		JUNCTION CITY	OR	97448	SUTTLE THOMAS	356 LINDERO AVE	MEDFORD	OR	97504	
110822	1F65F5DYXCOA04372	2013	BT	CA	2702	F	5/9/2012	5/21/2012	GUARANTY RV	20 HWY 99 SOUTH		JUNCTION CITY	OR	97448	PUGLIA MICHAEL	12 POND LN	LAKESIDE	OR	97449	
110823	1F66F5DY4COA04548	2013	BT	CA	3310	F	6/6/2012	6/14/2012	WILKINS	7520 STATE ROUTE 415		BATH	NY	14810	HASTINGS HOMER R	4071 GURNEE RD	WESTFIELD	PA	16950	
110824	1F66F5DY2COA04547	2013	BS	CA	3209	F	5/29/2012	6/6/2012	PROFESSIONAL SALES	1809 JOHN MCCAIN RD	PO BOX 1018	COLLEVILLE	TX	76034-6371	CASLIO ROBERT	1705 AVALON DR	COLLEVILLE	TX	76034	
110825	1F66F5DY6COA04546	2013	BS	CA	3012	F	5/30/2012	6/7/2012	PROFESSIONAL SALES	1809 JOHN MCCAIN RD	PO BOX 1018	COLLEVILLE	TX	76034-6371	TIDWELL MICHAEL	806 AMHERST DR	WAXAHACHIE	TX	75165	
110826	1F66F5DY4COA03707	2013	BS	CA	3302	F	5/10/2012	5/22/2012	PROFESSIONAL SALES	1809 JOHN MCCAIN RD	PO BOX 1018	COLLEVILLE	TX	76034-6371	MORTON PAUL	2939 OLYMPIA DR	GRAND PRAIRIE	TX	75052	
110827	1F65F5DYXCOA04968	2012	BS	CA	2702	F	5/21/2012	5/30/2012	BUDDY GREGG	BGMH ACQUISITION LLC	11730 SNYDER RD	KNOXVILLE	TN	37932	SMITH ROBBIE W	93 SHERWOOD DR	CROSSVILLE	TN	38558	
110828	1F66F5DY1COA03535	2013	BS	CA	2901	F	5/14/2012	5/23/2012	MIDWAY	5590 S DIVISION AVE		GRAND RAPIDS	MI	49548	CORNACCHIONE WILLIAM	2246 BRETTON DR	CINCINNATI	OH	45244	
110829	1F66F5DY6COA03708	2013	BS	CA	3209	F	5/11/2012	5/23/2012	MIDWAY	5590 S DIVISION AVE		GRAND RAPIDS	MI	49548						
110831	1F66F5DY8COA03709	2013	BS	CA	3209	F	5/18/2012	5/29/2012	GUARANTY RV	20 HWY 99 SOUTH		JUNCTION CITY	OR	97448	MARTIN KENNETH J	325 HARDY AVE	EUGENE	OR	97404	
110834	1F66F5DY6COA04728	2013	BS	CA	3012	F	6/5/2012	6/13/2012	BECKLEYS	BECKLEYS ENTERPRISES INC	11109 ANGLEBERGER RD	THURMONT	MD	21788	WILLIAMS SHIRLEY E	1109 HEIGHTS CT	GAITHERSBURG	MD	20879	
110835	1F66F5DY7COA04544	2013	BS	CA	2901	F	5/24/2012	6/5/2012	BECKLEYS	BECKLEYS ENTERPRISES INC	11109 ANGLEBERGER RD	THURMONT	MD	21788	KOMSKIS ROBERT J	2207 NE 16 CT	FORT LAUDERDALE	FL	33305	
110836	1F65F5DY1COA04969	2013	BT	CA	2702	F	5/23/2012	6/4/2012	MIDSTATE CAMPERS	10400 RECREATIONAL DR		BLACK HAWK	SD	57718-8654	WILLIS ROBERT J	PO BOX 252	UPTON	WY	82300	
110837	1F66F5DY5COA04543	2013	BS	CA	3002	F	5/22/2012	6/1/2012	MIDSTATE CAMPERS	10400 RECREATIONAL DR		BLACK HAWK	SD	57718-8654	ELIASON LEON	PO BOX 867	SHERIDON	WY	82801	
110838	1F66F5DY4COA04730	2013	BS	CA	2901	F	6/13/2012	6/20/2012	GUARANTY RV	20 HWY 99 SOUTH		JUNCTION CITY	OR	97448	GREEN DAVID J	8519 SE CASON RD	GLADSTONE	OR	97027	
110839	1F65F5DY9COA05285	2013	BT	CA	2901	F	6/12/2012	6/19/2012	GUARANTY RV	20 HWY 99 SOUTH		JUNCTION CITY	OR							

110879	1F66F5DY8D0A01220	2013	BS	CA	3209	F	8/27/2012	9/5/2012	GUARANTY RV	20 HWY 99 SOUTH	PO BOX 279	JUNCTION CITY	OR	97448	WILLIAMSON CHAD	2935 N E AURORA DR	HILLSBORO	OR	97124	
110880	1F66F5DY0D0A00997	2013	BT	CA	3209	F	8/24/2012	9/5/2012	GUARANTY RV	20 HWY 99 SOUTH	PO BOX 279	JUNCTION CITY	OR	97448	SECORD DALE	2638 5TH AVE	WEST LINN	OR	97068	
110881	1F66F5DY7D0A01502	2013	BS	CA	3209	F	9/18/2012	9/26/2012	INDEPENDENCE	12705 WEST COLONIAL DR	12705 WEST COLONIAL DR	WINTER GARDEN	FL	34787	COLEMAN LONNIE T	21821 ROYAL ST. GEORGES LN	LEESBURG	FL	34748	
110882	1F66F5DY7D0A01497	2013	BS	CA	3012	F	9/7/2012	9/18/2012	INDEPENDENCE	12705 WEST COLONIAL DR	12705 WEST COLONIAL DR	WINTER GARDEN	FL	34787	WERNER DAWN	820 BARNES BLVD	ROCKLEDGE	FL	32955	
110883	1F66F5DY5D0A01501	2013	BS	CA	2901	F	9/20/2012	10/3/2012	BUDDY GREGG	BGMH ACQUISITION LLC	11730 SNYDER DR	KNOXVILLE	TN	37932	STURGEON MINNIE	7150 STALEY LANE	CORRYTON	TN	37721	
110884	1F66F5DY5D0A01496	2013	BS	CA	3002	F	9/10/2012	9/19/2012	BUDDY GREGG	BGMH ACQUISITION LLC	11730 SNYDER DR	KNOXVILLE	TN	37932	BALLENTINE JAMES	15888 SW 12TH STREET	PEMBROKE PINES	FL	33027	
110885	1F66F5DY0D0A01499	2013	BS	CA	3305	F	9/11/2012	9/20/2012	BUDDY GREGG	BGMH ACQUISITION LLC	11730 SNYDER DR	KNOXVILLE	TN	37932	CASH LARRY W	2924 RACCOON VALLEY ROAD	HIKEVILLE	TN	37754	
110886	1F66F5DY9D0A01498	2013	BS	CA	3209	F	9/13/2012	9/21/2012	BUDDY GREGG	BGMH ACQUISITION LLC	11730 SNYDER DR	KNOXVILLE	TN	37932	ARBANAS MONTE M	113 VICTOR DRIVE	JUNCTION CITY	TN	37601	
110887	1F66F5DY3D0A01500	2013	BS	CA	2901	F	9/19/2012	9/27/2012	MOUNT COMFORT	5935 W 225 N	5935 W 225 N	GREENFIELD	IN	46140	RAY ANGELA E	11467 SANDY RUN ROAD	JOHNSON CITY	FL	33748	
110888	1F66F5DYX0A02661	2013	BS	CA	3302	F	9/24/2012	10/4/2012	PROFESSIONAL SALES	1809 JOHN MCCAIN RD	1809 JOHN MCCAIN RD	COLLEVILLE	TX	76034-6371	TEMPLIN KEVIN	224 GLENN DR	HURST	TX	76053	
110889	1F66F5DY3D0A02663	2013	BS	CA	3209	F	9/27/2012	10/2/2012	HARPER	1200 E 10TH ST	1200 E 10TH ST	GREAT BEND	KS	67530	NEEDHAM SCOT	607 MONTEZUMA COURT	MCPHERSON	KS	67460	
110890	1F66F5DY1D0A02662	2013	BS	CA	3012	F	10/2/2012	10/10/2012	GUARANTY RV	20 HWY 99 SOUTH	20 HWY 99 SOUTH	JUNCTION CITY	OR	97448	POUNDER STEVEN	54177 MORRISON RD	BANDON	OR	97411	
110892	1F66F5DY5D0A02664	2013	BS	CA	3302	F	10/2/2012	10/10/2012	GUARANTY RV	20 HWY 99 SOUTH	20 HWY 99 SOUTH	JUNCTION CITY	OR	97448	BEDDINGFIELD BEN A	471 BENTON VIEW DR	PHILOMATH	OR	97370	
110893	1F65F5DY2D0A00074	2013	BT	CA	2901	F	9/27/2012	10/9/2012	HARPER	1200 E 10TH ST	1200 E 10TH ST	GREAT BEND	KS	67530	DAVIS JACK	900 N. OAK RIDGE CT	GODDARD	KS	67052	
110894	1F66F5DY9D0A00996	2013	BS	CA	2901	F	10/9/2012	10/17/2012	WILKINS	7520 STATE ROUTE 415	7520 STATE ROUTE 415	BATH	NY	14810	BLADES CHRISTOPHER L	420 WHITNEY VALLEY HGTS	ALMOND	NY	14804	
110897	1F66F5DY3D0A03568	2013	BS	CA	3002	F	10/16/2012	10/24/2012	GUARANTY RV	20 HWY 99 SOUTH	20 HWY 99 SOUTH	JUNCTION CITY	OR	97448	GOUTLER LOYD	100 RIVERBEND RD #60	REEDSPORT	OR	97467	
110898	1F66F5DY1D0A03567	2013	BS	CA	2901	F	10/15/2012	10/23/2012	GUARANTY RV	20 HWY 99 SOUTH	20 HWY 99 SOUTH	JUNCTION CITY	OR	97448						
110899	1F66F5DY5D0A03569	2013	BS	CA	3209	F	10/17/2012	10/26/2012	GUARANTY RV	20 HWY 99 SOUTH	20 HWY 99 SOUTH	JUNCTION CITY	OR	97448	CHAMBERLAIN LARRY	678 PALMER DR NO	KEIZER	OR	97303	
110900	1F66F5DYX0A03793	2013	BS	CA	3012	F	10/18/2012	10/26/2012	SKY RIVER	6700 GOLDEN GATE DRIVE	6700 GOLDEN GATE DRIVE	DUBLIN	CA	94568-2910	DUKE RICHARD G	246 BLACKBURN CT	PASO ROBLES	CA	93447	
110901	1F66F5DY5D0A03796	2013	BS	CA	3012	F	10/23/2012	10/31/2012	GUARANTY RV	20 HWY 99 SOUTH	20 HWY 99 SOUTH	JUNCTION CITY	OR	97448	KEMP WILLARD D	2442 DAVID LANE	MEDFORD	OR	97504	
110902	1F65F5DYX0A00310	2013	BT	CA	2702	F	10/16/2012	10/25/2012	SKY RIVER	6700 GOLDEN GATE DRIVE	6700 GOLDEN GATE DRIVE	DUBLIN	CA	94568-2910	BRITTAIN KURT F	12105 CENTER AVE	SAN MARTIN	CA	95046	
110904	1F65F5DY3D0A00309	2013	BT	CA	2702	F	10/10/2012	10/18/2012	GUARANTY RV	20 HWY 99 SOUTH	20 HWY 99 SOUTH	JUNCTION CITY	OR	97448	GARLAND DAVID W	3260 WHITTEN DR	EUGENE	OR	97405	
110905	1F66F5DY7D0A02990	2013	BS	CA	2901	F	10/5/2012	10/16/2012	GUARANTY RV	20 HWY 99 SOUTH	20 HWY 99 SOUTH	JUNCTION CITY	OR	97448	HYDE MARY L	8335 VASHON DR NE	LACY	WA	98516	
110906	1F66F5DY9D0A02991	2013	BS	CA	3002	F	10/8/2012	10/16/2012	GUARANTY RV	20 HWY 99 SOUTH	20 HWY 99 SOUTH	JUNCTION CITY	OR	97448	MYRES LARRY M	603 E PAR THREE LN	MURRAY	UT	84107	
110907	1F66F5DY7D0A02830	2013	BS	CA	3012	F	10/3/2012	10/11/2012	GUARANTY RV	20 HWY 99 SOUTH	20 HWY 99 SOUTH	JUNCTION CITY	OR	97448	GREGORY GARY	20 CAPE RANCH RD	YACHTS	OR	97498	
110908	1F66F5DYX0A03955	2013	BT	CA	3209	F	10/24/2012	11/1/2012	GUARANTY RV	20 HWY 99 SOUTH	20 HWY 99 SOUTH	JUNCTION CITY	OR	97448	PALMER LYLE	4535 S. E. HIGH SCHOOL DR	LINCOLN CITY	OR	97367	
110909	1F66F5DY0D0A02992	2013	BS	CA	2901	F	10/11/2012	10/22/2012	TOM LINDSTROM	500 W LOS ANGELES AVE	500 W LOS ANGELES AVE	MOORPARK	CA	93021	KARE *	7232 DESEO AVE	CAMARILLO	CA	93010	
110910	1F66F5DY1D0A03570	2013	BS	CA	3209	F	10/17/2012	10/25/2012	TOM LINDSTROM	500 W LOS ANGELES AVE	500 W LOS ANGELES AVE	MOORPARK	CA	93021	MESSICK WILLIAM H	17811 MAGNOLIA ST	FOUNTAIN VALLEY	CA	92708	
110912	1F66F5DY9D0A03798	2013	BS	CA	3002	F	10/29/2012	11/6/2012	FREEDOM	3735 E IRVINGTON RD	3735 E IRVINGTON RD	TUCSON	AZ	85714	RIECKEN GEORGE A	32265 S. AGARITA DR	ORACLE	AZ	85623	
110913	1F66F5DY8D0A03954	2013	BS	CA	3012	F	11/2/2012	11/12/2012	WILKINS	7520 STATE ROUTE 415	7520 STATE ROUTE 415	BATH	NY	14810	GRENTZINGER JOHN	193 STONEY CREEK DR	ROCHESTER	NY	14616	
110914	1F66F5DY6D0A03953	2013	BS	CA	2901	F	10/30/2012	11/7/2012	NORTH TRAIL	LEE COUNTY RV SALES CO	5270 ORANGE RIVER BLVD	FORT MYERS	FL	33905-2750	BEALS PATRICIA A	1830 MEADOWOOD ST	SARASOTA	FL	34231	
110915	1F66F5DY0D0A03799	2013	BS	CA	2901	F	10/25/2012	11/2/2012	NORTH TRAIL	LEE COUNTY RV SALES CO	5270 ORANGE RIVER BLVD	FORT MYERS	FL	33905-2750	GREENE MICHAEL F	PO BOX 1034	CORTEZ	FL	34215	
110916	1F66F5DY3D0A03795	2013	BS	CA	3012	F	11/1/2012	11/9/2012	COACHLIGHT	5327 S GARRISON AVE	5327 S GARRISON AVE	CARTHAGE	MO	64836	MALONE DOUG A	1101 CLINTON ST	GOLDEN CITY	MO	64748	
110917	1F65F5DY1D0A00311	2013	BT	CA	2702	F	10/31/2012	11/8/2012	COACHLIGHT	5327 S GARRISON AVE	5327 S GARRISON AVE	CARTHAGE	MO	64836	OSHEL ALAN	1052 E 345TH ROAD	FLEMINGTON	MO	65650	
110919	1F66F5DY0D0A02832	2013	BS	CA	2901	F	10/31/2012	11/8/2012	STEINBRING	7390 COUNTY ROAD 82	7390 COUNTY ROAD 82	GARFIELD	MN	56332	SCHLECHT WILBUR	13296 55TH ST SE	ENDERLINE	OH	44026	
110920	1F66F5DY0D0A04600	2013	BS	CA	3012	F	12/10/2012	12/18/2012	AVALON	1604 MEDINA RD	1604 MEDINA RD	MEDINA	OH	44256-8118	MAY BERNARD A	3475 JESSIE ANN CR	MEDINA	OH	58257	
110921	1F66F5DY1D0A03794	2013	BS	CA	3302	F	10/19/2012	10/30/2012	AVALON	1604 MEDINA RD	1604 MEDINA RD	MEDINA	OH	44256-8118	JELENIOWSKI RICHARD W	3221 CONWAY WALL ROSE RD	BADEN	PA	15005	
110922	1F66F5DY3D0A04591	2013	BS	CA	3302	F	11/8/2012	11/16/2012	ANSLEY	1280 ROUTE 764	1280 ROUTE 764	DUNCANVILLE	PA	16635	MILLER THOMAS T	386 KOONTZVILLE RD	BEDFORD	PA	15522	
110923	1F66F5DY5D0A04365	2013	BS	CA	3002	F	11/1/2012	11/8/2012	NORTH TRAIL	LEE COUNTY RV SALES CO	5270 ORANGE RIVER BLVD	FORT MYERS	FL	33905-2750	REETZ WILLIAM	1515 HIGH BLUFF DR	LARGO	FL	34735	
110924	1F66F5DY0D0A04595	2013	BS	CA	3002	F	11/12/2012	11/19/2012	NORTH TRAIL	LEE COUNTY RV SALES CO	5270 ORANGE RIVER BLVD	FORT MYERS	FL	33905-2750	MIRACLE WILLIAM	833 E BANK ST	ASHLAND	OH	44805	
110925	1F66F5DY1D0A04363	2013	BS	CA	3302	F	12/6/2012	12/14/2012	HOLIDAY WORLD OF HOUSTON	28909 KATY FREEWAY	28909 KATY FREEWAY	KATY	TX	77494	GEORGE WILLIAM W	2406 PLEASANT CREEK DR	KINGWOOD	TX	77345	
110927	1F66F5DY3D0A04364	2013	BS	CA	2901	F	12/11/2012	12/18/2012	TOM LINDSTROM	500 W LOS ANGELES AVE	500 W LOS ANGELES AVE	MOORPARK	CA	93021	BUTLER MARIORIE J	9596 APRICOT CVE	RANCHO CUCAMONGA	CA	91737	
110928	1F65F5DY4D0A00545	2013	BT	CA	2901	F	11/19/2012	11/29/2012	BATES	BATES SHOW SALES STAFF INC	4656 MCINTOSH RD	DOVER	FL	33527-4132	CROZIER GAIL	6109 COLWYN COURT	GREENSBORO	NC	27455	
110929	1F66F5DY4D0A04597	2013	BS	CA	2901	F	11/27/2012	12/4/2012	BATES	BATES SHOW SALES STAFF INC	4656 MCINTOSH RD	DOVER	FL	33527-4132	SMITH JIM	1920 SW CIMARRON CT	PALM CITY	FL	34990	
110930	1F66F5DY8D0A04599	2013	BS	CA	3012	F	11/28/2012	12/5/2012	BATES	BATES SHOW SALES STAFF INC	4656 MCINTOSH RD	DOVER	FL	33527-4132	LATREILLE MARY M	26390 COLONY ROAD	BONITA SPRINGS	FL	34135	
110931	1F66F5DY8D0A04361	2013	BS	CA	3002	F	12/7/2012	12/14/2012	SKY RIVER	SKY RIVER INC	2525 THEATRE DR	PASO ROBLES	CA	93446-9606	JACKSON BARBARA	41331 ELLEN STREET	FREMONT	CA	94538	
110932	1F66F5DY8D0A05641	2013	BS	CA	3012	F	1/15/2013	1/23/2013	SKY RIVER	SKY RIVER INC	2525 THEATRE DR	PASO ROBLES	CA	93446-9606	BETTINCOURT MILTON	1945 COSTA BRAVA	PISMO BEACH	CA	93449	
110933	1F65F5DYX0A02994	2013	BT	CA	2702	F	12/6/2012	12/13/2012	SKY RIVER	SKY RIVER INC	2525 THEATRE DR	PASO ROBLES	CA	93446-9606	ERWIN MICHAEL L	6100 CHARING LN	CAMBRIA	CA	93428	
110935	1F66F5DYX0A04362	2013	BS	CA	3012	F	11/30/2012	12/7/2012	HOLLAND	251 TRAVELERS WAY	251 TRAVELERS WAY	SAN MARCOS	CA	92069-2797	WELKNER ARTHUR L	5938 BERTRIO DRIVE	LA MESA	CA	91942	
110936	1F65F5DY8D0A02993	2013	BT	CA	2702	F	12/4/2012	12/11/2012	HOLLAND	251 TRAVELERS WAY	251 TRAVELERS WAY	SAN MARCOS	CA	92069-2797	LILLICOTCH CAROL	3621 VISTA CAMPANAS #45	OCEANSIDE	CA	92057	
110937	1F66F5DY5D0A04916	2013	BS	CA	3302	F	12/12/2012	12/19/2012	A & S RV	2375 OPDYKE RD	2375 OPDYKE RD	AUBURN HILLS	MI	48326	COOK GREGORY	6355 GREEN PINE DR	FENTON	MI	48430	
110938	1F66F5DY7D0A04920	2013	BS	CA	3012	F	12/12/2012	12/20/2012	A & S RV	2375 OPDYKE RD	2375 OPDYKE RD	AUBURN HILLS	MI	48326	PRIDDLE HARVEY	51 BLUEBERRY CRESCENT CIR.	CARBONEAR	NF	4113 136	
110939	1F66F5DY2D0A04923	2013	BS	CA	3012	F	12/13/2012	12/20/2012	GUARANTY RV	20 HWY 99 SOUTH	20 HWY 99 SOUTH	JUNCTION CITY	OR	97448	FREEMAN HUGH D	159 PRINCEVILLE DR	EAGLE POINT	OR	97524	
110940	1F65F5DY1D0A04357	2013	BT	CA	2702	F	12/18/2012	1/10/2013	GUARANTY RV	20 HWY 99 SOUTH	20 HWY 99 SOUTH	JUNCTION CITY	OR	97448	SOUKUP WINNIE L	4636 CAROLINA AVE NE	SALEM	OR	97305	
110941	1F65F5DY3D0A04358	2013	BT	CA	2901	F	12/17/2012	1/9/2013	HOLLAND	251 TRAVELERS WAY	251 TRAVELERS WAY	SAN MARCOS	CA	92069-2797	POPLAWSKI DAVID P	9112 VIA NINA	SANTEE	CA	92071	
110942	1F66F5DY7D0A04917	2013	BS	CA	3002	F	12/13/2012	1/7/2013	HOLLAND	251 TRAVELERS WAY	251 TRAVELERS WAY	SAN MARCOS	CA	92069-2797	PARRISH PAULA	28511 MEADOW VIEW DR	MEMIFEE	CA	92584	
110943	1F66F5DYX0A05334	2013	BT	CA	3310	F	12/19/2012	1/10/2013	HOLLAND	251 TRAVELERS WAY	251 TRAVELERS WAY	SAN MARCOS	CA	92069-2797	PARMENTER ERROR	27250 MURRIETA RD	MEMIFEE	CA	92586	
110944	1F66F5DY0D0A04922	2013	BS	CA	2901	F	12/17/2012	1/8/2013	HOLIDAY WORLD OF HOUSTON	28909 KATY FREEWAY	28909 KATY FREEWAY	KATY	TX	77494	HAMBRICK CRAIG	32122 DAMON COURT	MAGNOLIA	TX	77354	
110954	1F66F5DY1D0A05643	2013	BS	CA	3305	F	1/17/2013	1/25/2013	INDEPENDENCE	12705 WEST COLONIAL DR	12705 WEST COLONIAL DR	WINTER GARDEN	FL	34787	STEWART LARRY J	625 W. PL				

110993	1F66F5DY9D0A08371	2013	BS	CA	3302	F	3/26/2013	4/4/2013	TOM LINDSTROM	500 W LOS ANGELES AVE	MOORPARK	CA	93021	DISNEY LINDA	2889	CAPELLA WAY	THOUSAND OAKS	CA	91362
110994	1F66F5DY0D0A08372	2013	BS	CA	2901	F	3/27/2013	4/5/2013	TOM LINDSTROM	500 W LOS ANGELES AVE	MOORPARK	CA	93021	SHEPARD RICHARD	25008	ATWOOD BLVD	NEWHALL	CA	91321
110995	1F66F5DY0D0A07383	2013	BS	CA	2901	F	3/21/2013	4/1/2013	TOM LINDSTROM	500 W LOS ANGELES AVE	MOORPARK	CA	93021	FREEMAN JAY P	1970	FULLBROKE DR	THOUSAND OAKS	CA	91362
110996	1F66F5DY2D0A06400	2013	BS	CA	3002	F	3/4/2013	3/12/2013	GUARANTY RV	20 HWY 99 SOUTH	JUNCTION CITY	OR	97448	JENSEN JAMES R	3276	MISTY GLEN DRIVE	REDDING	CA	96001
110997	1F66F5DY2D0A09300	2013	BS	CA	3002	F	4/25/2013	5/3/2013	GUARANTY RV	20 HWY 99 SOUTH	JUNCTION CITY	OR	97448	WATSON THOMAS	70	DESPERADO RD	HAILEY	ID	83333
110998	1F66F5DY5D0A09291	2013	BS	CA	3012	F	4/18/2013	4/25/2013	SKY RIVER	SKY RIVER INC	PASO ROBLES	CA	93446-9606	MACHADO MICHAEL J	1969	SHADY OAK ST	MANTECA	CA	95336
110999	1F66F5DY3D0A09015	2013	BS	CA	3012	F	4/10/2013	4/18/2013	SKY RIVER	SKY RIVER INC	PASO ROBLES	CA	93446-9606	BLAKLEY MICHAEL	180	AVE OF THE FLAGS	BUELLTON	CA	93427
111000	1F66F5DY7D0A07381	2013	BT	CA	2901	F	3/18/2013	3/26/2013	SKY RIVER	SKY RIVER INC	PASO ROBLES	CA	93446-9606	COLE DENNIS G	154	VIA SAN MIGUEL	PASO ROBLES	CA	93446
111001	1F65F5DY0D0A07279	2013	BT	CA	3209	F	3/25/2013	4/3/2013	SKY RIVER	SKY RIVER INC	PASO ROBLES	CA	93446-9606	DEANGELIS DANNY	2122	CAMINO LAUREL	SAN CLEMENTE	CA	92673
111002	1F66F5DY2D0A08714	2013	BS	CA	3302	F	4/1/2013	4/9/2013	SKY RIVER	SKY RIVER INC	PASO ROBLES	CA	93446-9606	COLE KEVIN O	782	JEFFERY ST	SOUTH LAKE TAHOE	CA	96150
111003	1F66F5DY4D0A06091	2013	BS	CA	2901	F	3/26/2013	4/4/2013	SKY RIVER	SKY RIVER INC	PASO ROBLES	CA	93446-9606	HANNUM SUSAN M	779	JENNA DR	COLLETA	CA	93117
111004	1F66F5DY5D0A06083	2013	BS	CA	3012	F	2/11/2013	2/19/2013	ICU MOBILE	2569 ROMIG RD STE 303	AKRON	OH	44320-3800	ICU ATLANTA HOPE CENTER * ALPHA PREGNANCY RESOURCE	295	MOLLY LANE, SUITE 120	WOODSTOCK	GA	30189
111005	1F66F5DY0D0A06086	2013	BS	CA	3012	F	2/15/2013	2/25/2013	ICU MOBILE	2569 ROMIG RD STE 303	AKRON	OH	44320-3800	CENTER *	PO BOX 435		SAVAGE	MN	55378
111006	1F66F5DYX0D0A09013	2013	BS	CA	3002	F	4/9/2013	4/17/2013	SKY RIVER	6700 GOLDEN GATE DRIVE	DUBLIN	CA	94568-2910	BOGETTI PAULETTE	464	MIC CRACKEN RD	VERNALIS	CA	95385
111007	1F66F5DY7D0A09292	2013	BS	CA	3012	F	4/16/2013	4/24/2013	SKY RIVER	6700 GOLDEN GATE DRIVE	DUBLIN	CA	94568-2910	REED THOMAS S	1825	BUTTNER CT	PLEASANT HILL	CA	94523
111008	1F66F5DY4D0A06401	2013	BS	CA	3012	F	3/6/2013	3/14/2013	SKY RIVER	6700 GOLDEN GATE DRIVE	DUBLIN	CA	94568-2910	REDON GERARD D	363	LARK DR	PASO ROBLES	CA	93446
111009	1F66F5DY4D0A07385	2013	BS	CA	3002	F	3/19/2013	3/26/2013	SKY RIVER	SKY RIVER INC	PASO ROBLES	CA	93446-9606	HEYDEN DENNIS J	4815	ALMOND DRIVE	TEMPLETON	CA	93465
111010	1F66F5DY5D0A07380	2013	BS	CA	3302	F	3/11/2013	3/19/2013	SKY RIVER	6700 GOLDEN GATE DRIVE	DUBLIN	CA	94568-2910	KNIBBS MICHAEL J	31	WEST PIER	AUSALUITO	CA	94965
111011	1F66F5DY6D0A07890	2013	BS	CA	3209	F	3/25/2013	4/3/2013	SKY RIVER	6700 GOLDEN GATE DRIVE	DUBLIN	CA	94568-2910	SPARKS CARL D	1050	TYLER AVE	LOS BANOS	CA	93465
111012	1F66F5DY9D0A07382	2013	BT	CA	2310	F	3/18/2013	3/25/2013	SKY RIVER	SKY RIVER INC	PASO ROBLES	CA	93446-9606	TEARE LYNDA A	6011	SPRIGG ST	FLUSHAR	TX	77441
111014	1F65F5DYX0D0A07628	2013	BT	CA	2702	F	4/22/2013	4/30/2013	SKY RIVER	6700 GOLDEN GATE DRIVE	DUBLIN	CA	94568-2910	JURICH JOSEPH	361	VERMONT	PLEASANTON	CA	94588
111015	1F66F5DY1D0A09014	2013	BS	CA	2901	F	4/15/2013	4/23/2013	SKY RIVER	6700 GOLDEN GATE DRIVE	DUBLIN	CA	94568-2910	SISK REBEKAH S	810	JUNCTION AVE	PACIFIC GROVE	CA	93950
111016	1F66F5DY8D0A07387	2013	BS	CA	3302	F	3/15/2013	3/25/2013	PROFESSIONAL SALES	1809 JOHN MCCAIN RD	COLLEVILLE	TX	76034-6371	HARVARD LARRY	3955	BOCA BAY DR	DALLAS	TX	75244
111017	1F66F5DY8D0A09012	2013	BS	CA	3302	F	4/8/2013	4/16/2013	CRAIN RV	CRAIN RV LLC	LITTLE ROCK	AR	72209-3305	GOSSETT ALLEN J	5126	S HWY 253	GREENWOOD	AR	72936
111018	1F66F5DY0D0A08369	2013	BS	CA	3209	F	3/22/2013	4/2/2013	PROFESSIONAL SALES	1809 JOHN MCCAIN RD	COLLEVILLE	TX	76034-6371	KELLNER CHRIS	409	MEDAWOCREEK RD	COPPELL	TX	76012
111019	1F66F5DY4D0A06088	2013	BS	CA	3012	F	2/22/2013	3/4/2013	ICU MOBILE	2569 ROMIG RD STE 303	AKRON	OH	44320-3800	LIFE CHOICES * CORNERSTONE WOMEN'S	20	WEST MOUNTAIN VIEW AVE	LONGMONT	CO	80501
111020	1F66F5DY8D0A06403	2013	BS	CA	3012	F	3/5/2013	3/13/2013	ICU MOBILE	2569 ROMIG RD STE 303	AKRON	OH	44320-3800	RESOURCE CENTER *	567	SALEM QUINTON RD - PO BOX 63	SALEM	NJ	8079
111021	1F65F5DY6D0A07626	2013	BT	CA	2702	F	4/17/2013	4/25/2013	HOLLAND	251 TRAVELERS WAY	SAN MARCOS	CA	92069-2797	SMITH BARRY L	80070	CEDAR CREST	LA QUINTA	CA	92523
111022	1F66F5DY6D0A08716	2013	BS	CA	2901	F	3/28/2013	4/8/2013	ANSLEY	1280 ROUTE 764	DUNCANSVILLE	PA	16635	KRAYNEK NEIL M	43	HONES RD	EXPORT	PA	15632
111023	1F66F5DY8D0A07891	2013	BS	CA	2901	F	3/22/2013	4/2/2013	NORTH TRAIL	LEE COUNTY RV SALES CO	FORT MYERS	FL	33905-2750	SCHAUB TOMMY	1756	BROOKSTONE WAY	PLANT CITY	FL	33566
111024	1F66F5DYX0D0A06404	2013	BS	CA	3302	F	3/5/2013	3/14/2013	NORTH TRAIL	LEE COUNTY RV SALES CO	FORT MYERS	FL	33905-2750	FANTELLI ROY J	1539	BOYLE RD	HAMILTON	OH	45013
111025	1F66F5DY9D0A07379	2013	BS	CA	3209	F	3/11/2013	3/19/2013	NORTH TRAIL	LEE COUNTY RV SALES CO	FORT MYERS	FL	33905-2750	WHITMYER NANCY J	3055	GRAHAM PT RD	PETOSKEY	MI	49770
111026	1F66F5DYX0D0A07049	2013	BS	CA	3002	F	3/12/2013	3/20/2013	NORTH TRAIL	LEE COUNTY RV SALES CO	FORT MYERS	FL	33905-2750	FISHBACK JUDITH	605	WYNDHAM CT	ORANGE PARK	FL	32073
111027	1F66F5DY5D0A06407	2013	BS	CA	3002	F	3/13/2013	3/21/2013	NORTH TRAIL	LEE COUNTY RV SALES CO	FORT MYERS	FL	33905-2750	HERBERT ROLAND	26406	LUCKY STONE RD #02	BONITA SPRINGS	FL	34135
111028	1F66F5DY2D0A07384	2013	BS	CA	2901	F	3/20/2013	3/27/2013	NORTH TRAIL	LEE COUNTY RV SALES CO	FORT MYERS	FL	33905-2750	MAUBAUER HERBERT	2902	SW 36TH TERR	CAPE CORAL	FL	33914
111029	1F66F5DY1D0A06405	2013	BS	CA	2901	F	3/8/2013	3/18/2013	GUARANTY RV	20 HWY 99 SOUTH	JUNCTION CITY	OR	97448	HAVAS TY	1775	DEL MONTE BLVD	SEASIDE	CA	93955
111030	1F65F5DY8D0A07627	2013	BT	CA	2901	F	4/18/2013	4/26/2013	HOLLAND	251 TRAVELERS WAY	SAN MARCOS	CA	92069-2797	MORDECKI RICHARD	51	ROAD 2777	AZTEC	NM	87410
111031	1F66F5DY0D0A09294	2013	BS	CA	3012	F	4/19/2013	4/26/2013	HOLLAND	251 TRAVELERS WAY	SAN MARCOS	CA	92069-2797	ADAMS RODERICK M	1630	ST JAMES CT	CARLSBAD	CA	92008
111033	1F66F5DYX0D0A07892	2013	BS	CA	3302	F	4/3/2013	4/10/2013	APACHE	1120 FORT CROOK RD S	BELLEVUE	NE	68005-2937	SCHMID MICHAEL	17812	PINEHURST AVE	OMAHA	NE	68136
111034	1F66F5DY0D0A08713	2013	BS	CA	2901	F	4/4/2013	4/11/2013	APACHE	1120 FORT CROOK RD S	BELLEVUE	NE	68005-2937	HOLLIS DONALD	3505	MUSIL DR	MANHATTEN	KS	66503
111035	1F66F5DY8D0A08717	2013	BS	CA	3209	F	4/3/2013	4/11/2013	APACHE	1040 SALTILLO ROAD	ROCA	NE	68430-4075	HANSEN ROBERT	9223	S. 28TH ST	LINCOLN	NE	68516
111036	1F66F5DY9D0A08368	2013	BS	CA	2901	F	4/17/2013	4/24/2013	APACHE	1040 SALTILLO ROAD	ROCA	NE	68430-4075	BORS LARRY	PO BOX 217		PICKRELL	NE	68422
111037	1F66F5DY4D0A08715	2013	BS	CA	2901	F	4/4/2013	4/12/2013	GORES DICK	14590 DUVAL PLACE WEST	JACKSONVILLE	FL	32218	HAWLEY JOHN F	2768	SHADE TREE DR	FLEMING ISL	FL	32003
111038	1F66F5DY5D0A09016	2013	BS	CA	3012	F	4/11/2013	4/18/2013	ICU MOBILE	2569 ROMIG RD STE 303	AKRON	OH	44320-3800	FORSYTHE ERIN B	1505	E. 4TH ST	CHARLOTTE	NC	28204
111039	1F66F5DY3D0A09290	2013	BS	CA	3012	F	4/16/2013	4/23/2013	ICU MOBILE	2569 ROMIG RD STE 303	AKRON	OH	44320-3800	CENTER *	5440	MOREHOUSE DRIVE ST 2000	SAN DIEGO	CA	92121
111040	1F66F5DY8D0A09298	2013	BS	CA	3012	F	4/23/2013	5/1/2013	ICU MOBILE	2569 ROMIG RD STE 303	AKRON	OH	44320-3800	SCHARPEN FOUNDATION * FORT WORTH PREGNANCY	PO BOX 849		WILDOMAR	CA	92595
111041	1F66F5DY9D0A09293	2013	BS	CA	3012	F	4/29/2013	5/7/2013	ICU MOBILE	2569 ROMIG RD STE 303	AKRON	OH	44320-3800	CENTER *	PO BOX 11437/3221	CLEBUNNE RD	FORT WORTH	TX	76117
111042	1F66F5DY0D0A09585	2013	BS	CA	2901	F	5/1/2013	5/10/2013	MOUNT COMFORT	5935 W 225 N	GREENFIELD	IN	46140	KUEBLER JAMES P	964	N. MAELLEN DR	GREENFIELD	IN	46140
111043	1F66F5DY4D0A09296	2013	BS	CA	2901	F	4/26/2013	5/6/2013	SKY RIVER	SKY RIVER INC	PASO ROBLES	CA	93446-9606						
111046	1F65F5DY4D0A07625	2013	BT	CA	2702	F	4/12/2013	4/22/2013	FIFE	FIFE RV & AUTO CENTER INC	FIFE	WA	98424-1121	LAUKALA DENNIS E	8190	SECRET CANYON RD	ELLENSBURG	WA	98926
111047	1F66F5DYX0D0A09299	2013	BS	CA	3012	F	4/29/2013	5/6/2013	MIDWAY	5590 S DIVISION AVE	GRAND RAPIDS	MI	49548	PHELPS CRAIG S	24189	HARBORVIEW RD	PUNTA GORDA	FL	33980
111048	1F66F5DY6D0A09297	2013	BS	CA	3209	F	4/30/2013	5/7/2013	TOM LINDSTROM	500 W LOS ANGELES AVE	MOORPARK	CA	93021	BARNETT THERESA M	43380	RENT BENAVENTE	TEMECULA	CA	92592
111050	1F65F5DY9D0A07894	2014	BT	CA	2903	F	5/21/2013	5/31/2013	MOTOR SPORTSLAND	4001 S STATE ST	SALT LAKE CITY	UT	84107-1510	HALE FRANK L	105	N BURLING	BLACKFOOT	ID	83221
111051	1F65F5DY2D0A08126	2014	BT	CA	2903	F	5/20/2013	5/30/2013	CRAIN RV	CRAIN RV LLC	LITTLE ROCK	AR	72209-3305	HARPER BOBBY	14625	BIROUNGAME RD	LITTLE ROCK	AR	72223
111052	1F66F5DY7D0A10703	2014	BT	CA	3306	F	6/6/2013	6/14/2013	LISSO E	23486 COUNTY ROAD E34	ANAMOSA	IA	52205-7850						
111053	1F66F5DY3D0A13792	2014	BT	CA	2903	F	8/8/2013	8/16/2013	FREEDOM	3735 E IRVINGTON RD	TUCSON	AZ	85714	ESTELLE DANIEL C	10930	E. VIA TRANQUILLA	TUCSON	AZ	85749
111054	1F66F5DY6D0A10563	2014	BT	CA	3220	F	5/31/2013	6/10/2013	FREEDOM	3735 E IRVINGTON RD	TUCSON	AZ	85714	BORIS JAMES P	2403	S E 2ND AVE	BATTLE GROUND	WA	98604
111055	1F66F5DY3D0A13503	2014	BS	CA	3215	F	8/7/2013	8/15/2013	FREEDOM	3735 E IRVINGTON RD	TUCSON	AZ	85714	BOLTHOUSE ROBERT L	7573	W. MYSTIC SKY LN	TUCSON	AZ	85743
111056	1F65F5DYX0D0A10254	2014	BT	CA	2702	F	5/31/2013	6/11/2013	HOLLAND	251 TRAVELERS WAY	SAN MARCOS	CA	92069-2797	JOHNSTON PENNY	13056	TRAIL DUST AVE	SAN DIEGO	CA	92129
111057	1F66F5DY1D0A10258	2014	BT	CA	3220	F	5/23/2013	6/4/2013	HOLLAND	251 TRAVELERS WAY	SAN MARCOS	CA	92069-2797						
111058	1F66F5DY0D0A10560	2014	BS	CA	3103	F	5/29/2013	6/6/2013	HOLLAND	251 TRAVELERS WAY	SAN MARCOS	CA	92069-2797	NEEDHAM PHILLIP	478	J AVE	CORONADO	CA	92118
111059	1F66F5DY4D0A10559	2014	BS	CA	3309	F	5/24/2												

111099	1F66F5DY8D0A10712	2014	BS	CA	3103	F	6/26/2013	7/12/2013	LEISURE TIME	4901 S ANDERSON RD	OKLAHOMA CITY	OK	73150-3804	LEISURE TIME RV *	4901 S ANDERSON RD	OKLAHOMA CITY	OK	73150	
111100	1F66F5DY3D0A10715	2014	BS	CA	3215	F	6/21/2013	7/9/2013	LEISURE TIME	4901 S ANDERSON RD	OKLAHOMA CITY	OK	73150-3804	WRIGHT FRED A	31411 ECR 1660	WYNNEWOOD	OK	73098	
111101	1F66F5DY2D0A09586	2014	BS	CA	3124	F	5/3/2013	5/14/2013	NORTH TRAIL	LEE COUNTY RV SALES CO	FORT MYERS	FL	33905-2750	NAPOLI ANTHONY T	1497 SW 28TH WAY	FT LAUDERDALE	FL	33312	
111102	1F66F5DYX00A11716	2014	BS	CA	3308	F	7/10/2013	7/17/2013	NORTH TRAIL	LEE COUNTY RV SALES CO	FORT MYERS	FL	33905-2750	HICKEL NED R	1521 ALTON RD - APT 545	MIAMI BEACH	FL	33139	
111103	1F66F5DY8D0A10256	2014	BS	CA	2903	F	5/16/2013	5/29/2013	MIDWAY	5590 S DIVISION AVE	GRAND RAPIDS	MI	49548	RIDLEY ED	PO BOX 371	SPARROWBUSH	NY	12380	
111104	1F65F5DY1D0A07629	2013	BT	CA	2901	F	5/8/2013	5/20/2013	NORTH TRAIL	LEE COUNTY RV SALES CO	FORT MYERS	FL	33905-2750	JUHL CHRIS	6098 TERRA ROSA CIR.	BOYNTON BEACH	FL	33472	
111105	1F66F5DY4D0A11422	2014	BS	CA	3124	F	7/8/2013	7/16/2013	PROFESSIONAL SALES	1809 JOHN MCCAIN RD	COLLEVILLE	TX	76034-6371	FOREMAN TOM	3801 LONGHORN ACRES ST	CEDAR PARK	TX	78613	
111106	1F66F5DY0D0A12468	2014	BS	CA	3103	F	7/16/2013	7/24/2013	GUARANTY RV	20 HWY 99 SOUTH	JUNCTION CITY	OR	97448	YIELDING MICHAEL A	145 JOHANNAN CT	CAVE JUNCTION	OR	97523	
111107	1F66F5DY7D0A12466	2014	BS	CA	2903	F	7/16/2013	7/25/2013	GUARANTY RV	20 HWY 99 SOUTH	JUNCTION CITY	OR	97448	MCCLAIN MIKE	160 SHAFER LN	JACKSONVILLE	OR	97530	
111108	1F66F5DY2D0A09880	2014	BS	CA	3124	F	5/15/2013	5/24/2013	WILKINS	7520 STATE ROUTE 415	BATH	NY	14810	PAWLEY HAROLD	628 CLIFTON DR HICKORY WOODS	BEAR	DE	19701	
111109	1F66F5DYX00A10713	2014	BS	CA	3124	F	6/25/2013	7/10/2013	GUARANTY RV	20 HWY 99 SOUTH	JUNCTION CITY	OR	97448	TITUS ROBERT F	1856 WATKINS DR	FREELAND	WA	98249	
111110	1F66F5DY1D0A10714	2014	BS	CA	3124	F	6/24/2013	7/10/2013	GUARANTY RV	20 HWY 99 SOUTH	JUNCTION CITY	OR	97448	WHITLOCK CHARLES	2995 JEFFERSON ST	EUGENE	OR	97405	
111111	1F66F5DY1D0A11300	2014	BS	CA	3103	F	7/9/2013	7/17/2013	GUARANTY RV	20 HWY 99 SOUTH	JUNCTION CITY	OR	97448	TOLIVER ROGER D	6670 SW ROOD BR RD	HILLSBORO	OR	97123	
111112	1F66F5DY7D0A13794	2014	BT	CA	2903	F	8/12/2013	8/20/2013	GUARANTY RV	20 HWY 99 SOUTH	JUNCTION CITY	OR	97448						
111113	1F65F5DY2D0A10863	2014	BT	CA	2702	F	7/23/2013	7/31/2013	GUARANTY RV	20 HWY 99 SOUTH	JUNCTION CITY	OR	97448	MCCLURE LYNN	957 NE BALDWIN DRIVE	HILLSBORO	OR	97124	
111114	1F66F5DY7D0A12998	2014	BT	CA	2903	F	7/25/2013	8/2/2013	GUARANTY RV	20 HWY 99 SOUTH	JUNCTION CITY	OR	97448	GREENE ACONA L	144 NW EBBRETS AVENUE	HILLSBORO	OR	97124	
111115	1F66F5DY1D0A11720	2014	BS	CA	2903	F	7/19/2013	7/29/2013	GUARANTY RV	20 HWY 99 SOUTH	JUNCTION CITY	OR	97448	NEVIC KATHLEEN	515 SUNWOOD DR NW	SALEM	OR	97304	
111116	1F66F5DYX00A12994	2014	BS	CA	3124	F	7/22/2013	7/30/2013	GUARANTY RV	20 HWY 99 SOUTH	JUNCTION CITY	OR	97448	NORDHAUSEN HARALD	2773 SW TITELIST CIRCLC	CORVALLIS	OR	97333	
111117	1F66F5DY8D0A09882	2014	BS	CA	2903	F	6/11/2013	6/19/2013	TOM LINDSTROM	500 W LOS ANGELES AVE	MOORPARK	CA	93021	WEINER WENDY G	1838 REO ROBIN PL	NEWBURRY PLACE	CA	91320	
111118	1F66F5DY1D0A12995	2014	BS	CA	2903	F	7/24/2013	8/1/2013	TOM LINDSTROM	500 W LOS ANGELES AVE	MOORPARK	CA	93021	AYERS WILLIAM L	3360 BLUEGRASS BAY	LAKE HAVASU CITY	AZ	86406	
111119	1F66F5DY3D0A12996	2014	BS	CA	3309	F	7/24/2013	8/1/2013	TOM LINDSTROM	500 W LOS ANGELES AVE	MOORPARK	CA	93021	ROST JOHN W	31130 RIVERDALE PL	CASTAIC	CA	91384	
111120	1F66F5DY1D0A11717	2014	BS	CA	3309	F	7/10/2013	7/18/2013	TOM LINDSTROM	500 W LOS ANGELES AVE	MOORPARK	CA	93021	BARRIER ROBERT J	6516 AFFIRMED PL	MOORPARK	CA	93021	
111121	1F66F5DY5D0A12997	2014	BS	CA	3124	F	7/25/2013	8/2/2013	TOM LINDSTROM	500 W LOS ANGELES AVE	MOORPARK	CA	93021	MOUSSA ADEL A	1049 ROLDAN AVE	SIMI VALLEY	CA	93065	
111122	1F65F5DY6D0A10865	2014	BT	CA	2702	F	6/10/2013	6/18/2013	TOM LINDSTROM	500 W LOS ANGELES AVE	MOORPARK	CA	93021	SEUTHE-ACKERS JENNYFER	1403 RIO VISTA CT	SIMI VALLEY	CA	93065	
111124	1F66F5DY8D0A13500	2014	BS	CA	3124	F	8/5/2013	8/14/2013	MOTOR SPORTSLAND	4001 S STATE ST	SALT LAKE CITY	UT	84107-1510	HOPKIN FAMILY TRUST R	1934 DENISE DR	SALT LAKE CITY	UT	84106	
111125	1F65F5DY4D0A11142	2014	BT	CA	2702	F	7/29/2013	8/6/2013	GUARANTY RV	20 HWY 99 SOUTH	JUNCTION CITY	OR	97448	BENEDA CHRISTINE	1045 W 17TH AVE	EUGENE	OR	97402	
111126	1F66F5DY6D0A14113	2014	BT	CA	3220	F	8/16/2013	8/26/2013	GUARANTY RV	20 HWY 99 SOUTH	JUNCTION CITY	OR	97448	BILBERY DALTON D	10300 FOREST SPRINGS DR	GRASS VALLEY	CA	95949	
111127	1F66F5DY5D0A13499	2014	BS	CA	3103	F	8/5/2013	8/13/2013	GUARANTY RV	20 HWY 99 SOUTH	JUNCTION CITY	OR	97448	COLLINS MICHAEL A	371 GOLF VIEW DR	MEDFORD	OR	97504	
111128	1F66F5DY0D0A14107	2014	BS	CA	3309	F	8/7/2013	8/15/2013	GUARANTY RV	20 HWY 99 SOUTH	JUNCTION CITY	OR	97448	HUBBARD WILLIAM	340 MEADOW LARK WAY	CENTRAL POINT	OR	97502	
111129	1F66F5DY1D0A13502	2014	BS	CA	2903	F	8/6/2013	8/14/2013	GUARANTY RV	20 HWY 99 SOUTH	JUNCTION CITY	OR	97448	LEPPELMAN LAWRENCE T	1040 BROWNS LN	POTLATCH	ID	83855	
111130	1F66F5DY3D0A13789	2014	BS	CA	3103	F	8/13/2013	8/21/2013	DAVES RV	SIMSO DAVID W	DANBURY	CT	06810						
111131	1F66F5DY5D0A12465	2014	BT	CA	3220	F	7/15/2013	7/23/2013	GUARANTY RV	20 HWY 99 SOUTH	JUNCTION CITY	OR	97448	RUPP ROSEMARY	104 PHEASANT LANE	FOLSOM	CA	95630	
111132	1F65F5DY6D0A11143	2014	BT	CA	2702	F	8/1/2013	8/9/2013	FIFE	FIFE RV & AUTO CENTER INC	FIFE	WA	98424-1121	MARSHALL JAMES &	37915 212TH AVE SE	AUBURN	WA	98092	
111133	1F65F5DY4D0A11299	2014	BT	CA	2702	F	8/12/2013	8/21/2013	FIFE	FIFE RV & AUTO CENTER INC	FIFE	WA	98424-1121	CORRELL THOMAS C	135 S 294TH PL	FEDERAL WAY	WA	98003	
111134	1F66F5DY2D0A14111	2014	BT	CA	2903	F	8/15/2013	8/23/2013	FIFE	FIFE RV & AUTO CENTER INC	FIFE	WA	98424-1121	MILLER THOMAS C	3031 133RD PL SE	MILL CREEK	WA	98012	
111135	1F66F5DYX00A13501	2014	BT	CA	2903	F	8/6/2013	8/14/2013	FIFE	FIFE RV & AUTO CENTER INC	FIFE	WA	98424-1121	WARNOCK JANICE E	33 CAMERON DR - PO BOX 65239	PORT LUDLOW	WA	98365	
111136	1F66F5DY7E0A00089	2014	BS	CA	2903	F	8/26/2013	9/5/2013	FIFE	FIFE RV & AUTO CENTER INC	FIFE	WA	98424-1121	JOHNSEN ROBERT W	1635 TIMBERLAKE CT SE	LACEY	WA	98503	
111137	1F66F5DY5D0A13504	2014	BS	CA	3103	F	8/7/2013	8/15/2013	FIFE	FIFE RV & AUTO CENTER INC	FIFE	WA	98424-1121	WARD JOHN	2040 ARAB DR SW	OLYMPIA	WA	98501	
111138	1F66F5DY7D0A13505	2014	BS	CA	3124	F	8/8/2013	8/16/2013	FIFE	FIFE RV & AUTO CENTER INC	FIFE	WA	98424-1121	WHITNEY JAMES B	1535 PERU AVE E	PORT ORCHARD	WA	98366	
111139	1F66F5DY9D0A13795	2014	BS	CA	3124	F	8/14/2013	8/22/2013	FIFE	FIFE RV & AUTO CENTER INC	FIFE	WA	98424-1121	POULSEN SOEREN	403 LAKEVIEW DR	SEQUIM	WA	98382	
111140	1F66F5DY9D0A12467	2014	BS	CA	3215	F	7/18/2013	7/26/2013	BECKLEYS	BECKLEYS ENTERPRISES INC	THURMONT	MD	21788	RICHCRAIK CHARLES F	582 BRIGHTON DRIVE	SEVEN VALLEYS	PA	17360	
111141	1F66F5DY9D0A14106	2014	BS	CA	2903	F	8/14/2013	8/23/2013	BECKLEYS	BECKLEYS ENTERPRISES INC	THURMONT	MD	21788	ABBOTT LURA J	9839 GORDON CT	WALKERSVILLE	MD	21793	
111142	1F66F5DY8D0A14114	2014	BS	CA	3103	F	8/20/2013	8/28/2013	HOLLAND	251 TRAVELERS WAY	SAN MARCOS	CA	92069-2797	GRAHAM WILLIAM	367 QUAIL SUMMITT	PASO ROBLES	CA	93446	
111143	1F66F5DY7D0A14105	2014	BS	CA	3124	F	8/20/2013	8/29/2013	HOLLAND	251 TRAVELERS WAY	SAN MARCOS	CA	92069-2797	LONG MICHAEL	2523 COLLEGE LN	LA VERNE	CA	91750	
111144	1F66F5DY4D0A14109	2014	BT	CA	2903	F	8/19/2013	8/27/2013	HOLLAND	251 TRAVELERS WAY	SAN MARCOS	CA	92069-2797	NICKERSON DONALD	5034 KELVIN AVE	WOODLAND HILLS	CA	91364	
111145	1F65F5DY8D0A11144	2014	BT	CA	2702	F	8/14/2013	8/22/2013	HOLLAND	251 TRAVELERS WAY	SAN MARCOS	CA	92069-2797	MARKOPOULOS REBECCA R	1810 VALE TERRACE DR	VISTA	CA	92084	
111146	1F66F5DY0D0A14110	2014	BS	CA	2903	F	8/21/2013	8/30/2013	HOLLAND	251 TRAVELERS WAY	SAN MARCOS	CA	92069-2797	BEYER MARVIN W	PO BOX 2138	JULIAN	CA	92036	
111148	1F65F5DY4D0A10864	2014	BT	CA	2702	F	6/10/2013	6/18/2013	ANSLEY	1280 ROUTE 764	DUNCANSVILLE	PA	16635	FAGLEY TERRY J	245 W. CRESTVIEW AVE., PO BOX 809	BOALSBURG	PA	16827	
111149	1F66F5DY5D0A11719	2014	BT	CA	2903	F	6/20/2013	7/8/2013	GORES DICK	14590 DUVAL PLACE WEST	JACKSONVILLE	FL	32218	SEARCY FRANCIS D	105 DOTTIE CT	INTERLOCHEN	FL	32148	
111150	1F66F5DY4D0A10710	2014	BS	CA	3308	F	6/14/2013	6/21/2013	SKY RIVER	SKY RIVER INC	PASO ROBLES	CA	93446-9606	PAFFORD EDWARD	6101 LOW I WAY	BAKERSFIELD	CA	93308	
111151	1F66F5DY5D0A11302	2014	BT	CA	2903	F	6/25/2013	7/11/2013	WILKINS	7520 STATE ROUTE 415	BATH	NY	14810	GOODFELLOW WILLARD S	193 THOMPSON DR	WINDSOR	NY	13865	
111152	1F66F5DY3E0A00090	2014	BS	CA	2903	F	8/28/2013	9/9/2013	GORES DICK	14590 DUVAL PLACE WEST	JACKSONVILLE	FL	32218	BERNHARD KAREN	201 N. 4TH ST	FERNANDINA BEACH	FL	32034	
111153	1F66F5DYX00A13790	2014	BS	CA	3124	F	8/13/2013	8/22/2013	COACHUGHT	5327 S GARRISON AVE	CARTHAGE	MO	64836	DICKENS BOB L	2403 E. WAYLAND	SPRINGFIELD	MO	65804	
111154	1F66F5DY5E0A00088	2014	BS	CA	2903	F	8/27/2013	9/5/2013	TOM JOHNSON	1885 US 70 WEST	MARION	NC	28752-7455	FOY ENOCH	3718 HULON DR	DURHAM	NC	27705	
111155	1F66F5DY3E0A00493	2014	BS	CA	3308	F	9/6/2013	9/17/2013	APACHE	1040 SALLITLO ROAD	ROCA	NE	68430-4075	NOSWORTHY DONALD G	838 HIDDEN HILLS DR	BELLEVUE	NE	68005	
111156	1F66F5DY5E0A00480	2014	BS	CA	3124	F	8/29/2013	9/9/2013	GUARANTY RV	20 HWY 99 SOUTH	JUNCTION CITY	OR	97448	PENZENIK PETE	54720 HUNTINGTON RD. P.O. BOX 454	LAPINE	OR	97739	
111157	1F66F5DY5E0A00477	2014	BS	CA	3309	F	8/30/2013	9/10/2013	GUARANTY RV	20 HWY 99 SOUTH	JUNCTION CITY	OR	97448						
111158	1F66F5DY5D0A10716	2014	BT	CA	3022	F	7/9/2013	7/16/2013	ICU MOBILE	2569 ROMIG RD STE 303	AKRON	OH	44320-3800	FIRST CHOICE PREGNANCY B	853 WAKE FOREST BUSINESS PARK SUITE	WAKE FOREST	NC	27587	
111160	1F66F5DY4E0A00485	2014	BT	CA	2903	F	8/30/2013	9/11/2013	ANCIRA	30500 IH-10 WEST	BOERNE	TX	78006	GIBSON JAMES	1439 ROLLING CREEK RD	SPRING BRANCH	TX	78070	
111161	1F66F5DY7E0A02909	2014	BS	CA	3124	F	12/9/2013	12/17/2013	TOM LINDSTROM	500 W LOS ANGELES AVE	MOORPARK	CA	93021	GORDON ALAN S	1625 E NEHALEM #9	PORTLAND	OR	97202	
111162	1F66F5DY3E0A00929	2014	BS	CA	2903	F	10/29/2013	11/6/2013	TOM LINDSTROM	500 W LOS ANGELES AVE	MOORPARK	CA	93021	RENNAN STANLEY	5587 N NOEL DR	TEMPLE CITY	CA	91780	
111163	1F66F5DYXE0A00930	2014	BS	CA	2903	F	11/12/2013	11/20/2013	TOM LINDSTROM	500 W LOS ANGELES AVE	MOORPARK	CA	93021	CALLAWAY RICHARD	13205 S RIVER LN #86	OJAI	CA	93023	
111167	1F65F5DY0D0A11428	2014	BT	CA	2702	F	9/25/2013	10/4/2013	GUARANTY RV	20 HWY 99 SOUTH	JUNCTION CITY	OR	97448	CARLSON DONALD O	14527 W RAVENSWOOD DR	SUN CITY WEST	AZ	85375	
111168	1F65F5																		

111198	1F66F5DY1E0A00492	2014	BS	CA	3103	F	9/11/2013	9/19/2013	INDEPENDENCE	& SERVICE INC	12705 WEST COLONIAL DR	WINTER GARDEN	FL	34787	GILBERT MELVIN	411 WALNUT STREET #9893	GREEN COVE SPRINGS	FL	32043-3443	
111199	1F66F5DY6E0A01539	2014	BT	CA	3022	F	9/26/2013	10/7/2013	ICU MOBILE	2569 ROMIG RD STE 303		AKRON	OH	44320-3800	ICU MOBILE YOUNGSTOWN *	4845 MARKET ST	YOUNGSTOWN	OH	44512	
111200	1F66F5DY5E0A01547	2014	BT	CA	2903	F	10/7/2013	10/16/2013	DYLANS	2190 DELSEA DR		SEWELL	NJ	08080-4238	PINTO CRAIG	69 4TH ST	HIGHLANDS	NJ	7732	
111201	1F66F5DY9E0A01874	2014	BS	CA	3309	F	10/15/2013	10/23/2013	APACHE	1120 FORT CROOK RD S		BELLEVUE	NE	68005-2937						
111202	1F66F5DY4E0A00938	2014	BS	CA	2903	F	10/25/2013	11/4/2013	APACHE	1120 FORT CROOK RD S		BELLEVUE	NE	68005-2937	SIGG MARTIN D	920 BORDAUX AVE	BELLEVUE	NE	68123	
111203	1F66F5DY7E0A01548	2014	BS	CA	3124	F	10/15/2013	10/24/2013	APACHE	1040 SALTILLO ROAD		ROCA	NE	68430-4075	DUNN CLAYTON	806 KOHL RD	BELLEVUE	NE	68005	
111206	1F66F5DYXE0A02211	2014	BS	CA	3215	F	10/30/2013	11/8/2013	TOM JOHNSON	CENTER CHARLOTTE INC	6700 BRUTON SMITH BLVD	CONCORD	NC	28027-0120	TEAGUE ROBERT	3875 HYDER CT	MORGANTON	NC	28655	
111207	1F66F5DYXE0A00927	2014	BS	CA	2903	F	10/31/2013	11/8/2013	TOM JOHNSON	CENTER CHARLOTTE INC	6700 BRUTON SMITH BLVD	CONCORD	NC	28027-0120	RICHARD CLETUS E	155 SLOOP FARM RD	CHINA GROVE	NC	27410	
111209	1F66F5DY8E0A01543	2014	BS	CA	3124	F	10/9/2013	10/18/2013	BUDDY GREGG	BGMH ACQUISITION LLC	11730 SNYDER DR	KNOXVILLE	TN	37932	SUBSTANCE SOLUTIONS *	4582 N. HIATUS RD	SUNRISE	FL	33351	
111210	1F66F5DY3E0A01868	2014	BS	CA	3215	F	10/9/2013	10/17/2013	BUDDY GREGG	BGMH ACQUISITION LLC	11730 SNYDER DR	KNOXVILLE	TN	37932	BLACK THOMAS	1183 TAYLORSVILLE	TAYLORSVILLE	GA	30178	
111211	1F66F5DY5E0A01872	2014	BT	CA	2903	F	10/17/2013	10/28/2013	HOLLAND	251 TRAVELERS WAY		SAN MARCOS	CA	92069-2797	WARBURTON BETTIE J	10403 GRANDVIEW DR	LA MESA	CA	91941	
111212	1F66F5DY0E0A01875	2014	BS	CA	3103	F	10/29/2013	11/7/2013	HOLLAND	251 TRAVELERS WAY		SAN MARCOS	CA	92069-2797	HOCHNER NATALIE J	4151 ANDROS WAY	OCEANSIDE	CA	92056	
111213	1F66F5DY6E0A00925	2014	BS	CA	3124	F	11/1/2013	11/12/2013	HOLLAND	251 TRAVELERS WAY		SAN MARCOS	CA	92069-2797	STEVENS EARLE D	1350 LYNRIDGE	RIVERSIDE	CA	92506	
111214	1F66F5DY3E0A02227	2014	BS	CA	3124	F	11/22/2013	12/5/2013	WILKINS	7520 STATE ROUTE 415		BATH	NY	14810	SPRINGHAM THOMAS	132 WOLF RIDGE RD	MUNCY	PA	17756	
111215	1F66F5DY1E0A00931	2014	BS	CA	2903	F	11/11/2013	11/19/2013	APACHE	1040 SALTILLO ROAD		ROCA	NE	68430-4075	CLARK RONALD	2506 EAST 42ND AVE	HUTCHINSON	KY	67502	
111216	1F66F5DY6E0A02593	2014	BS	CA	2903	F	12/5/2013	12/13/2013	WILKINS	7520 STATE ROUTE 415		BATH	NY	14810	REHBERG CLYDE J	8842 WESLEY RD	BLOOMFIELD	NY	14649	
111217	1F66F5DY0E0A02220	2014	BT	CA	2903	F	11/18/2013	11/26/2013	GORES DICK	14590 DUVAL PLACE WEST		JACKSONVILLE	FL	32218	LUTH PAUL	790 STERLING RD	RICHMOND HILL	GA	31324	
111218	1F66F5DY4E0A02902	2014	BS	CA	3308	F	11/27/2013	12/9/2013	ANSLEY	1280 ROUTE 764	PO BOX 239	DUNCANSVILLE	PA	16635	DOUDS ASHLEY S	10391 GRUBBS RD	WEXFORD	PA	15090	
111219	1F66F5DY2E0A02221	2014	BT	CA	3220	F	11/18/2013	11/27/2013	CHESAPEAKE	3360 BATTLEFIELD BLVD S	PO BOX 16424	CHESAPEAKE	VA	23322-2313	DAVIS RONALD	3820 HIGH ST	PORTSMOUTH	VA	23707	
111220	1F66F5DY8E0A02224	2014	BS	CA	2903	F	11/20/2013	12/2/2013	ANCIRA	30500 IH-10 WEST		BOERNE	TX	78006	SMITH RICHARD	4272 HUCKLEBERRY LANE SOUTH	BILLINGS	MT	59106	
111221	1F66F5DY1E0A02226	2014	BS	CA	3124	F	11/19/2013	11/27/2013	NORTH TRAIL	LEE COUNTY RV SALES CO	5270 ORANGE RIVER BLVD	FORT MYERS	FL	33905-2750	NIGHTINGALE JOHN W	2040 CALUMET ST	CLEARWATER	FL	33765	
111222	1F66F5DY4E0A00924	2014	BS	CA	2903	F	11/5/2013	11/14/2013	NORTH TRAIL	LEE COUNTY RV SALES CO	5270 ORANGE RIVER BLVD	FORT MYERS	FL	33905-2750	CARTER GARY M	1319 BROADWAY AVE	LEHIGH ACRES	FL	33972	
111223	1F66F5DY3E0A01871	2014	BS	CA	2903	F	10/23/2013	11/1/2013	NORTH TRAIL	LEE COUNTY RV SALES CO	5270 ORANGE RIVER BLVD	FORT MYERS	FL	33905-2750	THEDE JOHN C	7710 BAY LAKE DR	FT MYERS	FL	33907	
111224	1F66F5DY3E0A00932	2014	BS	CA	3103	F	11/13/2013	11/21/2013	NORTH TRAIL	LEE COUNTY RV SALES CO	5270 ORANGE RIVER BLVD	FORT MYERS	FL	33905-2750	POLANOR WILLIAM J	5909 MANOR HOUSE LN	BALTIMORE	MD	21225	
111225	1F66F5DY5E0A00933	2014	BS	CA	3308	F	11/13/2013	11/22/2013	NORTH TRAIL	LEE COUNTY RV SALES CO	5270 ORANGE RIVER BLVD	FORT MYERS	FL	33905-2750	CREASON HAROLD W	810 N NETLETON AVE	BONNER SPRINGS	KS	66012	
111226	1F66F5DY2E0A00937	2014	BS	CA	3309	F	11/4/2013	11/22/2013	NORTH TRAIL	LEE COUNTY RV SALES CO	5270 ORANGE RIVER BLVD	FORT MYERS	FL	33905-2750	KRESGE WAYNE D	4349 CHETWIN TER	EASTON	PA	18045	
111227	1F66F5DY7E0A01873	2014	BS	CA	3215	F	10/24/2013	11/1/2013	NORTH TRAIL	LEE COUNTY RV SALES CO	5270 ORANGE RIVER BLVD	FORT MYERS	FL	33905-2750	GREGORY MONA M	650 ALLENVIEW DR	MECHANICSBURG	PA	17055	
111228	1F65F5DYXD0A12473	2014	BT	CA	2702	F	10/21/2013	10/30/2013	NORTH TRAIL	LEE COUNTY RV SALES CO	5270 ORANGE RIVER BLVD	FORT MYERS	FL	33905-2750	KULICK GEORGE	4400 MONROE ST	HOLLYWOOD	FL	33021	
111229	1F66F5DY8E0A00926	2014	BT	CA	2903	F	11/8/2013	11/19/2013	NORTH TRAIL	LEE COUNTY RV SALES CO	5270 ORANGE RIVER BLVD	FORT MYERS	FL	33905-2750	WINSLOW CAROLE B	673 HIGHLANDS DR	HAMPSTEAD	NC	28443	
111230	1F66F5DY7E0A00934	2014	BT	CA	2903	F	11/21/2013	12/3/2013	NORTH TRAIL	LEE COUNTY RV SALES CO	5270 ORANGE RIVER BLVD	FORT MYERS	FL	33905-2750	PARSONS MARK C	4788 BLACK SWAN DR	SHAWNEE	KS	66216	
111231	1F66F5DY4E0A02592	2014	BS	CA	2903	F	12/3/2013	12/12/2013	DAVES RV	SIMSO DAVID W	2 INDUSTRIAL PARK PLAZA	DANBURY	CT	06810	HARTIN THOMAS R	10 HAR COURT AVENUE	SMITHTOWN	NY	11787	
111232	1F66F5DY0E0A02590	2014	BS	CA	3308	F	11/25/2013	12/5/2013	TOM LINDSTROM	500 W LOS ANGELES AVE		MOORPARK	CA	93021	BENZING SANDRA D	306 APRICOT AVE	FRESNO	CA	93727	
111233	1F66F5DY6E0A02223	2014	BS	CA	2903	F	11/20/2013	12/3/2013	FREEDOM	3735 E IRVINGTON RD		TUCSON	AZ	85714	STIMSON MORRIS J	7860 E BENSON HIGHWAY 28	UCONSON	AZ	85756	
111234	1F66F5DY4E0A02219	2014	BS	CA	3308	F	11/14/2013	11/25/2013	A & S RV	2375 OPDYKE RD		AUBURN HILLS	MI	48326	HAKKANI SAMTILL	2435 LESSITER	ROCHESTER HILLS	MI	48309	
111236	1F66F5DY4E0A03239	2014	BS	CA	2903	F	12/7/2013	1/13/2014	NATIONAL INDOOR TX	NATIONAL INDOOR STORAGE I LLC	498 E STATE HIGHWAY 121	LEWISVILLE	TX	75057-4733	LOOMIS LARRY C	141 CARSON DR	HUDSON OAKS	TX	76087	
111237	1F66F5DY2E0A03241	2014	BS	CA	3124	F	12/19/2013	1/15/2014	NATIONAL INDOOR TX	NATIONAL INDOOR STORAGE I LLC	498 E STATE HIGHWAY 121	LEWISVILLE	TX	75057-4733	JACKSON JAMES T	39405 WOODRUM CIRCLE	GONZALES	LA	70737	
111238	1F66F5DY3E0A02597	2014	BS	CA	3215	F	12/2/2013	12/10/2013	GORES DICK	14590 DUVAL PLACE WEST		JACKSONVILLE	FL	32218	STORY CAROL A	2 MAYBURY PL	ARDEN	NC	28704	
111239	1F66F5DYXE0A02225	2014	BS	CA	3103	F	11/21/2013	12/3/2013	GUARANTY RV	20 HWY 99 SOUTH	PO BOX 279	JUNCTION CITY	OR	97448	MARTIN JAMI M	218 CHIMNEY ROCK	EUGENE	OR	97404	
111240	1F66F5DYXE0A02595	2014	BS	CA	3124	F	11/27/2013	12/9/2013	WILKINS	7520 STATE ROUTE 415		BATH	NY	14810	SMITH GEORGE T	223 CRAFT LANE	BUCHANAN	NY	10514	
111245	1F66F5DY1E0A02596	2014	BS	CA	3215	F	12/2/2013	12/11/2013	MIDWAY	5590 S DIVISION AVE		GRAND RAPIDS	MI	49548	LEBLANC PAT	15667 LITTLEFIELD RD	SPRING LAKE	MI	49456	
111246	1F66F5DY1E0A00928	2014	BT	CA	3306	F	11/11/2013	11/20/2013	DAVES RV	SIMSO DAVID W	2 INDUSTRIAL PARK PLAZA	DANBURY	CT	06810	SCHALLOCK WILLIAM H	3 KARLEN LAKE ROAD	BREWSTER	NY	10509	
111254	1F66F5DYXE0A02905	2014	BT	CA	3306	F	12/11/2013	1/8/2014	STEINBRING	7390 COUNTY ROAD 82	PO BOX 160	GARFIELD	MN	56332	ASKEW ROBERT J	315 13TH AVE W	WEST FARGO	ND	58078	
111255	1F66F5DY1E0A02906	2014	BS	CA	2903	F	12/12/2013	1/8/2014	GORES DICK	14590 DUVAL PLACE WEST		JACKSONVILLE	FL	32218	CRANE STEPHEN D	PO BOX 2920	YULEE	FL	32041	
111256	1F66F5DY4E0A02222	2014	BS	CA	2903	F	11/21/2013	12/4/2013	GORES DICK	14590 DUVAL PLACE WEST		JACKSONVILLE	FL	32218	WESTHOVEN LAWRENCE E	1022 MAGNOLIA, PO 441	VILLAGE MILLS	TX	77663	
111257	1F65F5DY1D0A12474	2014	BT	CA	2702	F	12/9/2013	12/18/2013	MYERS	12024 CENTRAL AVE SE		ALBUQUERQUE	NM	87123-3002	YOUNG TRACY	3261 PAUL WHITE ROAD	LAKE CHARLES	LA	70611	
111258	1F66F5DY8E0A02904	2014	BT	CA	3306	F	12/10/2013	12/18/2013	MYERS	12024 CENTRAL AVE SE		ALBUQUERQUE	NM	87123-3002	BIGELOW LINDA	4 LA QUINTA	SANDIA PARK	NM	87047	
111259	1F66F5DY3E0A02907	2014	BS	CA	2903	F	12/11/2013	12/19/2013	MYERS	12024 CENTRAL AVE SE		ALBUQUERQUE	NM	87123-3002	MORTON JAMES	322 SCOTCH ROSE	CIBOLA	TX	78108	
111260	1F66F5DY3E0A02910	2014	BS	CA	3124	F	12/12/2013	1/9/2014	MYERS	12024 CENTRAL AVE SE		ALBUQUERQUE	NM	87123-3002	KOENIG DEBORAH	1710 GARDENIA DRIVE	HOUSTON	TX	77018	
111263	1F66F5DY4E0A03242	2014	BS	CA	3124	F	12/19/2013	1/16/2014	INDEPENDENCE	& SERVICE INC	12705 WEST COLONIAL DR	WINTER GARDEN	FL	34787	DUCC WILLIAM	33802 PICCIOLA	FRUITLAND PARK	FL	34731	
111267	1F66F5DY2E0A03238	2014	BT	CA	3022	F	12/13/2013	1/9/2014	ICU MOBILE	2569 ROMIG RD STE 303		AKRON	OH	44320-3800	CLINIC *	694 S. WILLOW AVE, SUITE 3	COOKEVILLE	TN	38501	
111284	1F66F5DY2E0A02591	2014	BS	CA	2903	F	12/2/2013	12/10/2013	GORES DICK	14590 DUVAL PLACE WEST		JACKSONVILLE	FL	32218	RILEY MICHAEL D	173 JONES RD	OZARK	AL	36360	
160171	1F6NF53Y870A01462	2008	CS	CA	3512	F	6/7/2007	6/20/2007	DAVES RV	SIMSO DAVID W	2 INDUSTRIAL PARK PLAZA	DANBURY	CT	06810	MASTROLLO JOSEPH A	11 SPRUCE MOUNTAIN TRAIL	DANBURY	CT	6810	
160172	5B4MP67G273426208	2008	CS	CA	3410	WH	7/18/2007	7/30/2007	COACHLIGHT	5327 S GARRISON AVE		CARTHAGE	MO	64836	EAGLE JOHN	15 EVANTON DR	BELLA VISTA	AR	72715	
160173	1F6NF53Y560A16998	2008	CS	CA	3205	F	7/16/2007	7/26/2007	SIERRA RV	AMERICAN RV RENTALS INC	9125 S VIRGINIA ST	RENO	NV	89511	GILL THERESA M	159 JACK PINE ROAD	COTTONWOOD	ID	83522	
160174	5B4MP67G473426209	2008	CS	CA	3641	WH	7/24/2007	8/2/2007	WILKINS	7520 STATE ROUTE 415		BATH	NY	14810	LOOMIS JAMES W	23 FISH RD	MEXICO	NY	13114	
160175	1F6NF53Y860A17210	2008	CS	CA	3303	F	7/25/2007	8/7/2007	WILKINS	7520 STATE ROUTE 415		BATH	NY	14810	CUMMINGS MELVIN R	15806 ROUTE 287	TIOGA	PA	16946	
160176	1F6NF53Y370A03992	2008	CS	CA	3512	F	8/13/2007	8/22/2007	KOOGLER	670 OAKLAND CIRCLE		RAPHINE	VA	24472	BLACK FONDA	6770 BAYSHORE DRIVE	ST CLOUD	FL	34771	
160177	5B4MP67G073426210	2008	CS	CA	3641	WH	8/8/2007	8/20/2007	RV SUPERSTORE	THE TERRY GROUP LLC	4467 E DANDELION	PAHRUMP	NV	89048	BUDE NANCY	P.O. BOX 3523	LAPHIRE	OR	97739	
160179	1F6NF53Y460A17396	2008	CS	CA	3205	F	8/9/2007	8/21/2007	RV SUPERSTORE	THE TERRY GROUP LLC	4467 E DANDELION	PAHRUMP	NV	89048	EVANS ROBERT D	1431 E ELDRORADO WAY	PAHRUMP	NV	89048	
160180	1F6NF53Y60A017158	2008	CS	CA	3205	F	9/12/2007	9/24/2007	INDEPENDENCE	& SERVICE INC	12705 WEST COLONIAL DR	WINTER GARDEN	FL	34787	GLYNN PATRICIA	220 PALMER PARK LN	DAVENPORT	FL	33897	
16																				

160218	1F6NF53Y670A08412	2008	CS	CA	3205	F	11/20/2007	12/3/2007	HARBERTSON	17028 US HWY 19 N	CLEARWATER	FL	33764	EISSFELDT RICHARD A	6058 GULFPORT BLVD	ST PETERSBURG	FL	33704	
160219	1F6NF53Y470A08411	2008	CS	CA	3303	F	11/19/2007	11/30/2007	HARBERTSON	17028 US HWY 19 N	CLEARWATER	FL	33764	SPEAKES JOSEPH L	9015 35TH ST	PINELLAS PARK	FL	33780	
160221	1F6NF53YX80A00671	2008	CS	CA	3205	F	1/30/2008	2/20/2008	RON POTTS	5669 JOHNSTOWN UTICA RD & SERVICE INC	JOHNSTOWN	OH	43031-9408	DRISCOLL JOHN	9402 W PLEASANT VALLEY RD	PARMA	OH	44130	
160223	5B4MP67G683431669	2008	CS	CA	3512	WH	2/12/2008	2/27/2008	INDEPENDENCE	12705 WEST COLONIAL DR	WINTER GARDEN	FL	34787	SNOW GARY D	17360 SE 74TH NETHERCLIFF TERR	THE VILLAGES	FL	32162	
160225	1F6NF53Y370A02485	2008	CS	CA	3641	F	1/10/2008	1/22/2008	JEFF'S RV SUPERSTORE	462 INTERSTATE DRIVE	MOCKSVILLE	NC	27028	HONEYCUTT MARSHALL	22234 OAKWOOD RD	ALBEMARLE	NC	28001	
160226	1F6NF53Y570A02486	2008	CS	CA	3410	F	1/21/2008	2/11/2008	JEFF'S RV SUPERSTORE	462 INTERSTATE DRIVE	MOCKSVILLE	NC	27028	CARTER BYRON D	434 RABBIT FARM TRAIL	ADVANCE	NC	27006	
160229	1F6NF53Y480A02044	2008	CS	CA	3641	F	2/11/2008	2/25/2008	RON POTTS	5669 JOHNSTOWN UTICA RD	JOHNSTOWN	OH	43031-9408	MARTINKA MARK	1209 HILL RD NORTH #281	PICKERINGTON	OH	43147	
160233	1F6NF53Y970A02023	2008	CS	CA	3512	F	2/20/2008	3/11/2008	DAVES RV	SIMSO DAVID W	2 INDUSTRIAL PARK PLAZA	OH	06810	CONNELL JAMES	1451 NORTH TUCKAHOE RD	WILLIAMSTOWN	NJ	8094	
160234	1F6NF53Y680A02045	2008	CS	CA	3410	F	2/19/2008	3/5/2008	ARBOGAST	3540 S COUNTY RD 25 A	TROY	OH	45373	WILDE STEWART	301 OLDE TANNON CT	RALEIGH	NC	27614	
160235	5B4MP67G083431974	2008	CS	CA	3512	WH	2/26/2008	3/13/2008	LA MESA	LA MESA RV CENTER INC	7430 COPELY PARK PLACE	CA	92111-1122	WILCOX GARY	37187 RIVERBEND DR	PARKER	AZ	85344	
160236	1F6NF53Y880A02046	2008	CS	CA	3510	F	2/26/2008	3/17/2008	MIDWAY	5590 S DIVISION AVE	SAN DIEGO	CA	92111-1122	WILCOX GARY	37187 RIVERBEND DR	PARKER	AZ	85344	
160237	5B4MP67G883430877	2008	CS	CA	3641	WH	3/3/2008	3/18/2008	MIDWAY	5590 S DIVISION AVE	SAN DIEGO	CA	92111-1122	WILCOX GARY	37187 RIVERBEND DR	PARKER	AZ	85344	
160238	5B4MP67G583432392	2008	CS	CA	3512	WH	3/4/2008	3/18/2008	ANSLEY	1280 ROUTE 764	PO BOX 239	PA	16635	ZEPKA JAMES B	960 EISENHOWER BLVD	JOHNSTOWN	PA	15904	
160239	1F6NF53YX80A02047	2008	CS	CA	3641	F	3/12/2008	4/2/2008	ANSLEY	1280 ROUTE 764	PO BOX 239	PA	16635	FALKENSTEIN RUDOLPH F	22989 BUTTERNUT LANE	CALIFORNIA	MO	20619	
160240	5B4MP67G683431973	2008	CS	CA	3410	WH	2/26/2008	3/13/2008	DENNIS DILLON	6560 TARGEE	BOISE	ID	83709	DAVISON HOWARD C	3954 N HOLLYMOUNT WAY	MERIDIAN	ID	83646-1791	
160241	5B4MP67G683431526	2008	CS	CA	3512	WH	3/11/2008	3/31/2008	KOOGLER	670 OAKLAND CIRCLE	5270 ORANGE RIVER BLVD	VA	24472	MARRIOTT MARK	20539 WILDBROOK CT	ASHBURN	VA	20147	
160242	1F6NF53Y180A02048	2008	CS	CA	3410	F	3/31/2008	4/14/2008	NORTH TRAIL	LEE COUNTY RV SALES CO	5270 ORANGE RIVER BLVD	FL	33905	MATTINGLY DAVID	1506 CROSS TIMBERS CT	LOUISVILLE	KY	40245	
160243	1F6NF53Y180A02602	2009	CS	CA	3647	F	4/7/2008	4/17/2008	DAVES RV	SIMSO DAVID W	2 INDUSTRIAL PARK PLAZA	FL	06810	ROSATO MARK C	1705 PINNACLE WAY	DANBURY	CT	6811	
160244	1F6NF53Y280A02897	2009	CS	CA	3641	F	4/7/2008	4/16/2008	MOUNTAIN ROAD	31 MOUNTAIN ROAD	ME	04280	PIKE GORDON	304 COSTELLA RD	GARDINER	ME	4345		
160245	1F6NF53Y780A00188	2009	CS	CA	3920	F	4/2/2008	4/21/2008	INDEPENDENCE	& SERVICE INC	12705 WEST COLONIAL DR	FL	34787	EFLANU M	18744 CAPE SABLE DR	BOCA RATON	FL	33498	
160246	1F6NF53Y180A03796	2009	CS	CA	3920	F	4/2/2008	5/12/2008	GUARANTY RV	20 HWY 99 SOUTH	PO BOX 279	OR	97448	AULT ANNETTE G	173 NO. 100 EAST	CEDAR FORT	UT	84013	
160247	1F6NF53Y880A00197	2009	CS	CA	3920	F	4/23/2008	5/5/2008	ALOHA	8300 PAN AMERICAN FWY NE STE A	ALBUQUERQUE	NM	87113	ELMORE LEROY	617 MARK DR NE APT #1	ALBUQUERQUE	NM	87123	
160248	1F6NF53Y480A02898	2009	CS	CA	3410	F	4/16/2008	4/29/2008	GORES DICK	14590 DUVAL PLACE WEST	JACKSONVILLE	FL	32218	GUCKAVAN BRYAN F	460 SARAH TOWERS LN	JACKSONVILLE	FL	32259	
160249	1F6NF53Y680A02899	2009	CS	CA	3647	F	4/21/2008	4/30/2008	GORES DICK	14590 DUVAL PLACE WEST	JACKSONVILLE	FL	32218	PITTMAN CLARENCE E	86215 MEADOWFIELD BLUFF RD	YULEE	FL	32097	
160250	1F6NF53YX80A03795	2009	CS	CA	3920	F	4/29/2008	5/12/2008	ALOHA	14590 DUVAL PLACE WEST	JACKSONVILLE	FL	32218	PITTMAN CLARENCE E	86215 MEADOWFIELD BLUFF RD	YULEE	FL	32097	
160251	5B4MP67G783432393	2009	CS	CA	3510	WH	4/10/2008	4/23/2008	OLYMPIC RV	LEWIS ST TRAILER SALES INC	22 GILBERT RD	WA	98382	SEQUIM	111 GOLDEN PHEASANT DR	SLIDELL	LA	70461	
160252	1F6NF53YX80A01870	2009	CS	CA	3205	F	4/24/2008	5/6/2008	DIXIE RV	10241 DESTINATION DRIVE	HAMMOND	LA	70403	WALCOTT JACK	516 N DIAMOND BAR	DIAMOND BAR	CA	91765	
160253	1F6NF53Y980A04159	2009	CS	CA	3920	F	5/7/2008	5/20/2008	NORTH TRAIL	LEE COUNTY RV SALES CO	5270 ORANGE RIVER BLVD	FL	33905	FRANCO DAVID	1775 FEDDICK RD	HAMBURG	NY	14075	
160254	1F6NF53Y080A02901	2009	CS	CA	3641	F	4/30/2008	5/13/2008	BALLARDS	5 5849 SOUTHWESTERN BLVD	HAMBURG	NY	14075	MOON JOHN J	43091 NOBLE CT	TEMUCULA	CA	92592	
160255	5B4MP67G783434600	2009	CS	CA	3410	WH	5/6/2008	5/19/2008	RV SUPERSTORE	THE TERRY GROUP LLC	4700 BOULDER HIGHWAY SUITE B	NV	89121	CHERRY BENNETT	309 SW ALBURY BLVD	BURLESON	TX	76028	
160257	1F6NF53Y880A02900	2009	CS	CA	3647	F	4/28/2008	5/7/2008	PROFESSIONAL SALES	1809 JOHN MCCAIN RD	PO BOX 1018	TX	76035	KOVAL JAY	905 TURNBERRY DR	MANSFIELD	TX	76063	
160258	1F6NF53Y280A01460	2009	CS	CA	3205	F	5/5/2008	5/14/2008	PROFESSIONAL SALES	1809 JOHN MCCAIN RD	PO BOX 1018	TX	76035	TAYLOR DANA	905 TURNBERRY DR	MANSFIELD	TX	76063	
160259	1F6NF53Y280A02902	2009	CS	CA	3641	F	5/2/2008	5/14/2008	PROFESSIONAL SALES	1809 JOHN MCCAIN RD	PO BOX 1018	TX	76035	TAYLOR DANA	905 TURNBERRY DR	MANSFIELD	TX	76063	
160261	1F6NF53Y480A02903	2009	CS	CA	3510	F	5/13/2008	5/22/2008	LEISURE TYME	1490 HWY 98 W	JACKSONVILLE	FL	32569	GARRETT SEAN A	531 BINSBERG DR	SCHERTZ	TX	78154	
160262	1F6NF53Y880A01463	2009	CS	CA	3205	F	5/21/2008	6/10/2008	RON POTTS	5669 JOHNSTOWN UTICA RD	JOHNSTOWN	OH	43031-9408	EPELY DALE L	12 GUNCKEY BLVD	PATASKALA	OH	43062	
160263	1F6NF53YX80A01464	2009	CS	CA	3205	F	5/20/2008	6/9/2008	ANSLEY	1280 ROUTE 764	PO BOX 239	PA	16635	SAUNDERS STANLEY K	30135 SUMMIT DRIVE, APT. 204	FARMINGTON HILLS	MI	48334	
160264	1F6NF53Y480A03792	2009	CS	CA	3647	F	5/28/2008	6/12/2008	ANSLEY	1280 ROUTE 764	PO BOX 239	PA	16635	CARTWRIGHT LARRY J	3358 TYRONE PIKE - PO BOX 135	SANDY RIDGE	PA	16677	
160265	1F6NF53Y780A03317	2009	CS	CA	3205	F	5/29/2008	6/17/2008	GORES DICK	250 LONGWOOD DRIVE	RICHMOND HILL	GA	31324	KNIGHT HELEN C	9 SOUTH 370 SKYLANE DR	NAPERVILLE	IL	60564	
160266	1F6NF53Y980A00192	2009	CS	CA	3920	F	5/27/2008	6/11/2008	BRETZ	4800 GRANT CREEK RD	MISSOULA	MT	59808	PUICH SAMUEL D	1478 SKYSCAPE WAY	S JORDAN	UT	84095	
160267	1F6NF53Y580A01341	2009	CS	CA	3920	F	5/22/2008	6/10/2008	NORTH TRAIL	LEE COUNTY RV SALES CO	5270 ORANGE RIVER BLVD	FL	33905	ZUBACK CATHY	185 DUTCH GEERY RD	AMITY	PA	15311	
160268	5B4MP67G483435297	2009	CS	CA	3641	WH	5/30/2008	6/18/2008	WILKINS	7520 STATE ROUTE 415	BATH	NY	14810	FOX JAMES	9161 E STATE 973 HWY	MONTEOURVILLE	PA	17754	
160269	5B4MP67G783435407	2009	CS	CA	3510	WH	6/17/2008	7/29/2008	JEFF'S RV SUPERSTORE	462 INTERSTATE DRIVE	MOCKSVILLE	NC	27028	WHITE DENNIS D	115 SECOND ST	MARSHALLBERG	NC	28553	
160270	1F6NF53Y880A04315	2009	CS	CA	3920	F	6/18/2008	7/30/2008	STEINBRING	7390 COUNTY ROAD 82	GARFIELD	MN	56332	MOORE STEVE	12033 S 202 N ST	GRETTA	NE	68028	
160271	5B4MP67G283435458	2009	CS	CA	3641	WH	7/15/2008	8/6/2008	ARBOGAST	3540 S COUNTY RD 25 A	TROY	OH	45373	TRAPP FRANK E	6202 REFUGEE RD S W	POTASKALA	OH	43062	
160272	1F6NF53Y680A03793	2009	CS	CA	3510	F	7/23/2008	8/13/2008	JEFF'S RV SUPERSTORE	462 INTERSTATE DRIVE	MOCKSVILLE	NC	27028	ELLIS CURTIS	100 WEXSECT CT	HENDERSONVILLE	TN	37075	
160273	1F6NF53Y880A03794	2009	CS	CA	3641	F	8/5/2008	8/28/2008	PROFESSIONAL SALES	1809 JOHN MCCAIN RD	PO BOX 1018	TX	76034-6371	LARICKS JIM	8348 CORRAL DRIVE	DALLAS	TX	75243	
160274	1F6NF53YX80A04316	2009	CS	CA	3920	F	8/12/2008	9/17/2008	INDEPENDENCE	& SERVICE INC	12705 WEST COLONIAL DR	FL	34787	KENDALL HALLIE D	2195 KENDALL LANE	WINTER HAVEN	FL	33881	
160276	5B4MP67G683435480	2009	CS	CA	3510	WH	9/2/2008	9/24/2008	SAGON	172 VAN MAR BLVD	JACKSON	GA	30233						
160277	1F6NF53Y080A04311	2009	CS	CA	3641	F	9/18/2008	10/13/2008	JEFF'S RV SUPERSTORE	462 INTERSTATE DRIVE	MOCKSVILLE	NC	27028	GLISSON THOMAS	158 SUGAR SHACK TRAIL	THURMOND	NC	28683	
160278	1F6NF53YX80A04705	2009	CS	CA	3920	F	9/24/2008	10/16/2008	INDEPENDENCE	& SERVICE INC	12705 WEST COLONIAL DR	FL	34787	IVY JANEY S	190 NW 20TH ST	HOMESTEAD	FL	33030	
160279	1F6NF53Y180A04706	2009	CS	CA	3920	F	10/9/2008	11/3/2008	NORTH TRAIL	LEE COUNTY RV SALES CO	5270 ORANGE RIVER BLVD	FL	33905	AUSTIN AUDREY J	145 LINCOLN AVE	LINCOLTON	GA	30817	
160280	1F6NF53Y580A04708	2009	CS	CA	3920	F	10/14/2008	11/5/2008	NORTH TRAIL	LEE COUNTY RV SALES CO	5270 ORANGE RIVER BLVD	FL	33905	ROBBINS RONALD W	948 SAN CARLOS DR	FT MYERS BEACH	FL	33931	
160281	1F6NF53Y380A04707	2009	CS	CA	3920	F	10/13/2008	11/4/2008	NORTH TRAIL	LEE COUNTY RV SALES CO	5270 ORANGE RIVER BLVD	FL	33905	BATCHELOR CHARLES	2730 W RM 875	MIDDLIOTHY	TX	76065	
160282	1F6NF53Y780A04709	2009	CS	CA	3920	F	10/15/2008	11/24/2008	NORTH TRAIL	LEE COUNTY RV SALES CO	5270 ORANGE RIVER BLVD	FL	33905	NUNEZ ROBERTO	2730 SW 129TH AVE	MIAMI	FL	33175	
160283	1F6NF53Y380A04710	2009	CS	CA	3920	F	10/16/2008	11/25/2008	NORTH TRAIL	LEE COUNTY RV SALES CO	5270 ORANGE RIVER BLVD	FL	33905	DUNN CARON	243 NAVAJO RD	TAVERNIER	FL	33070	
160284	1F6NF53Y580A04711	2009	CS	CA	3920	F	10/16/2008	11/24/2008	STEINBRING	7390 COUNTY ROAD 82	GARFIELD	MN	56332	DE JOHN KATHERINE	517 MARSHALL AVE	SEDRO WOOLLEY	WA	98284	
160285	1F6NF53Y780A04712	2009	CS	CA	3920	F	11/3/2008	12/4/2008	HARBERTSON	17028 US HWY 19 N	CLEARWATER	FL	33764	GRANSTROM WES	82 E GLENDALE AVE	SPARKS	NV	89431	
160286	1F6NF53Y980A04713	2009	CS	CA	3920	F	11/4/2008	12/5/2008	HARBERTSON	17028 US HWY 19 N	CLEARWATER	FL	33764	GRANSTROM WESLEY P	82 E GLENDALE AVENUE	SPARKS	NV	89431	
160287	1F6NF53Y080A04714	2009	CS	CA	3920	F	11/24/2008	12/9/2008	INDEPENDENCE	& SERVICE INC	12705 WEST COLONIAL DR	FL	34787	JIMENEZ ANTHONY J	17013 WINNERS CIRCLE	ODESSA	FL	33556	
160288	1F6NF53Y280A05069	2009	CS	CA	3920	F	1/29/2009	2/12/2009	MOUNT COMFORT	5935 W 225 N	GREENFIELD	IN	46140	WATSON LOUIS E	10598 MOLLENKOPF RD	FISHERS	IN	46037	
160289	1F6NF53Y380A00012	2009	CS	CA	3920	F	2/2/2009	2/16/2009	INDEPENDENCE	& SERVICE INC	12705 WEST COLONIAL DR	FL	34787	MANIS HOWARD R	3630 ULMERTON DR	CLEARWATER	FL	33762	
160290	1F6NF53Y080A04843	2009	CS	CA	3205	F	2/10/2009	3/2/2009	OSHKOSH	2150 E DALTON RD	CALUMET CITY	IL	60409-1411	MEDICAL CENTER *		LACROSS	WI	54601	
160292	1F6NF53Y080A01327	2010	CS	CA	3920	F	2/18/2009	3/10/2009	INDEPENDENCE										

160330	1F6NF53Y380A03024	2010	CS	CA	3641	F	8/5/2009	8/18/2009	BUDDY GREGG	BGMH ACQUISITION LLC	11730 SNYDER RD	KNOXVILLE	TN	37932	BIERK BARRETT A	212 CHEESTANA WAY	LOUDON	TN	37774	
160331	1F6NF53Y480A03781	2010	CS	CA	3920	F	8/11/2009	8/24/2009	BUDDY GREGG	BGMH ACQUISITION LLC	11730 SNYDER RD	KNOXVILLE	TN	37932	DIGBY EMILIE V	5463 HARBOUR CASTLE DR	FORT MYERS	FL	33907	
160332	1F6NF53Y480A04702	2010	CS	CA	3641	F	7/30/2009	8/12/2009	PROFESSIONAL SALES	1809 JOHN MCCAIN RD	PO BOX 1018	COLLEVILLE	TX	76034-6371	AMAN PHILLIP	1878 CLIFF VIEW DR	LEWISVILLE	TX	75077	
160334	1F6NF53Y880A03682	2010	CS	CA	3920	F	8/13/2009	8/26/2009	GUARANTY RV	20 HWY 99 SOUTH	PO BOX 279	JUNCTION CITY	OR	97448	DECOOTE MIKE T	17310 SE WILES CT	GLADSTONE	OR	97057	
160335	1F6NF53YX80A00105	2010	CS	CA	3510	F	8/17/2009	8/27/2009	BECKLEYS	BECKLEYS ENTERPRISES INC	11109 ANGLEBERGER RD	THURMONT	MD	21788	DRASH ROBERT W	8101 OAK CREST LANE	FAIRFAX STATION	VA	22039	
160337	1F6NF53Y990A00453	2010	CS	CA	3205	F	8/26/2009	9/15/2009	GUARANTY RV	20 HWY 99 SOUTH	PO BOX 279	JUNCTION CITY	OR	97448	SCHENK RAYMOND	14537 OLYMPIC VIEW LP RD NW	SILVERDALE	WA	98383	
160338	584MP67G2B3439386	2010	CS	CA	3641	WH	2/19/2010	3/2/2010	ANCIRA	30500 IH-10 WEST		BOERNE	TX	78006	GEBHARD HARVEY M	1202 CR 128	BURNET	TX	78611	
160339	584MP67G4B3439387	2010	CS	CA	3510	WH	2/22/2010	3/3/2010	ANCIRA	30500 IH-10 WEST		BOERNE	TX	78006	HODGESON JOHN	5049 BRITTANY RD	SORRENTO	LA	70778	
160340	1F6NF53YX80A03683	2010	CS	CA	3920	F	9/8/2009	9/17/2009	STEINBRING	7390 COUNTY ROAD 82	PO BOX 160	GARFIELD	MN	56332	GRIFFIN PATRICK	142 LADY SLEEPER RD	WOODSTOCK	NH	3293	
160341	1F6NF53Y480A00522	2010	CS	CA	3641	F	9/9/2009	9/21/2009	BALLARDS	5 5849 SOUTHWESTERN BLVD		HAMBURG	NY	14075	ANDERSON RICHARD	404 S 13TH STREET	INDIANA	PA	15701	
160342	1F6NF53Y880A00524	2010	CS	CA	3641	F	9/22/2009	10/5/2009	A & S RV	10/5/2009 A & S RV		AUBURN HILLS	MI	48326	CROSBY RUSSELL	16 MARY BUCK	SAINT THOMAS	ON	NSR 536	
160343	1F6NF53Y390A00559	2010	CS	CA	3855	F	9/17/2009	9/30/2009	A & S RV	2375 OPDYKE RD		AUBURN HILLS	MI	48326	MEYERS DANIEL	372 WINDRIFT WAY	HOLLAND	MI	49424	
160344	584MP67G93435886	2010	CS	CA	3510	WH	9/21/2009	10/1/2009	MIDWAY	5590 S DIVISION AVE		GRAND RAPIDS	MI	49548	GORDON LEROY	3768 MONROE RD	TIPTON	MI	49287	
160345	1F6NF53YX90A00560	2010	CS	CA	3855	F	9/23/2009	10/6/2009	MIDWAY	5590 S DIVISION AVE		GRAND RAPIDS	MI	49548	LEHOTAN JOHN J	10465 WAGON BOX CIRCLE	HIGHLANDS RANCH	CO	80130	
160346	1F6NF53Y080A03787	2010	CS	CA	3920	F	10/1/2009	10/14/2009	NORTH TRAIL	LEE COUNTY RV SALES CO		FORT MYERS	FL	33905	REID JAMES S	7569 WEBBS RD	DENVER	NC	28037	
160347	1F6NF53Y080A03692	2010	CS	CA	3855	F	9/29/2009	10/12/2009	NORTH TRAIL	LEE COUNTY RV SALES CO		FORT MYERS	FL	33905	WHITE JACK	1886 SE GREEDON AVE	PORT SAINT LUCIE	FL	34952	
160348	1F6NF53Y390A00562	2010	CS	CA	3920	F	9/28/2009	10/8/2009	ALOHA	8300 PAN AMERICAN FWY NE STE A		ALBUQUERQUE	NM	87113	TRAVERS MANAGEMENT INC *	3704 SPY GLASS LOOP	RIO RANCHO	NM	87124	
160350	1F6NF53Y590A00563	2010	CS	CA	3920	F	9/24/2009	10/7/2009	STEINBRING	7390 COUNTY ROAD 82	PO BOX 160	GARFIELD	MN	56332	BOWEN ROBERT	1182 240TH ST	DRESSER	WI	54009	
160351	1F6NF53Y290A00665	2010	CS	CA	3647	F	10/12/2009	10/22/2009	ALOHA	8300 PAN AMERICAN FWY NE STE A		ALBUQUERQUE	NM	87113	BRESLIN BARBARA J	PO BOX 92888	ALBUQUERQUE	NM	87199	
160352	1F6NF53Y480A04778	2010	CS	CA	3641	F	10/8/2009	10/21/2009	HOLIDAY WORLD OF HOUSTON	28909 KATY FREEWAY		KATY	TX	77494	BLAIR TRENT	203 CORONO LANE	YOUNGVILLE	NC	27596	
160354	1F6NF53Y180A03684	2010	CS	CA	3855	F	10/5/2009	10/15/2009	HOLIDAY WORLD OF HOUSTON	28909 KATY FREEWAY		KATY	TX	77494	HEENEY ROBERT J	10907 OLD CHAPEL HILL RD	CHAPPELL HILL	TX	77426	
160355	1F6NF53Y680A04779	2010	CS	CA	3510	F	10/19/2009	10/28/2009	BECKLEYS	BECKLEYS ENTERPRISES INC	11109 ANGLEBERGER RD	THURMONT	MD	21788	TRITT JAMES T	1013 WILDA DRIVE	WESTMINSTER	MD	21157	
160356	1F6NF53Y280A03788	2010	CS	CA	3855	F	10/21/2009	10/30/2009	RON POTTS	5669 JOHNSTOWN UTICA RD		JOHNSTOWN	OH	43031-9408	INGERSOLL DONALD E	7330 HARTMAN RD	WADSWORTH	OH	44281	
160357	1F6NF53Y280A03693	2010	CS	CA	3920	F	10/20/2009	10/29/2009	MOUNT COMFORT	5935 W 225 N		GREENFIELD	IN	46140						
160358	1F6NF53Y380A03685	2010	CS	CA	3855	F	10/27/2009	11/5/2009	PROFESSIONAL SALES	1809 JOHN MCCAIN RD	PO BOX 1018	COLLEVILLE	TX	76034-6371	IHRER WILLIAM	6032 NANNC COURT	WATAUGA	TX	76148	
160359	1F6NF53Y590A00658	2010	CS	CA	3920	F	11/2/2009	11/10/2009	DAVES RV	SIMSO DAVID W		DANBURY	CT	06810	MURRIN DENISE	24 MAHON'S LANE	TORRANCE	NL	A1K 1A6	
160360	1F6NF53YX90A01076	2010	CS	CA	3920	F	11/4/2009	11/13/2009	ANSLEY	1280 ROUTE 764	PO BOX 239	DUNCANSVILLE	PA	16635	DODSON KARL A	464 BIG SPRINGS RD	NEW CUMBERLAND	PA	17078	
160361	1F6NF53Y690A01088	2010	CS	CA	3647	F	12/9/2009	1/11/2010	DAVES RV	SIMSO DAVID W		DANBURY	CT	06810	ROSSINI JOHN A	85 TRUMBLY ROAD	EAST WINDSOR	CT	6080	
160362	1F6NF53Y890A01075	2010	CS	CA	3855	F	11/9/2009	11/18/2009	LEES RV CITY	13111 N BROADWAY EXT		OKLAHOMA CITY	OK	73114						
160363	1F6NF53Y990A00663	2010	CS	CA	3920	F	11/13/2009	11/24/2009	LEES RV CITY	13111 N BROADWAY EXT		OKLAHOMA CITY	OK	73114	DIMSDALE WILLIAM	412 S FOX	MIDWEST CITY	OK	73110	
160364	1F6NF53Y390A00657	2010	CS	CA	3855	F	11/11/2009	11/20/2009	NORTH TRAIL	LEE COUNTY RV SALES CO		FORT MYERS	FL	33905	PECK JOE D	1434 CRESTRIDGE DR	MARYVILLE	TN	37804	
160365	1F6NF53Y890A01089	2010	CS	CA	3510	F	12/10/2009	1/12/2010	BECKLEYS	BECKLEYS ENTERPRISES INC	11109 ANGLEBERGER RD	THURMONT	MD	21788	DODGE GREGORY K	9303 LILY GLEN CT	KATY	TX	77494	
160366	1F6NF53Y190A01077	2010	CS	CA	3920	F	11/18/2009	11/30/2009	BECKLEYS	BECKLEYS ENTERPRISES INC	11109 ANGLEBERGER RD	THURMONT	MD	21788	(TERRY OLSO *	144 OYLER DRIVE	CHAMBERSBURG	PA	17201	
160367	1F6NF53Y890A00668	2010	CS	CA	3410	F	12/4/2009	12/15/2009	MOUNT COMFORT	5935 W 225 N		GREENFIELD	IN	46140	HATCHETT CHRISTINE	1514 VIVIAN LN	LOUISVILLE	KY	40205	
160368	1F6NF53YX90A01384	2010	CS	CA	3510	F	12/14/2009	1/15/2010	DIXIE RV	10241 DESTINATION DRIVE		HAMMOND	LA	70403	FONTANA CHRISTOPHER	7579 LOOP ST	NAVARENE	FL	32566	
160369	1F6NF53Y490A01087	2010	CS	CA	3641	F	12/9/2009	12/17/2009	DIXIE RV	10241 DESTINATION DRIVE		HAMMOND	LA	70403	ST GERMAINE JOAN	3684 E IBIS COVE ST	HERNANDO	FL	34442	
160370	1F6NF53Y790A00659	2010	CS	CA	3920	F	11/30/2009	12/9/2009	NORTH TRAIL	LEE COUNTY RV SALES CO	5270 ORANGE RIVER BLVD	FORT MYERS	FL	33905	HARRIS GEORGE F	4203 24TH AVE W	BRANDONTON	FL	34205	
160371	1F6NF53Y390A00660	2010	CS	CA	3855	F	12/16/2009	1/19/2010	LONGVIEW	4811 MCINTOSH RD		DOVER	FL	33527	MANKOWSKY WALTER S	42 BRIGANTINE BLVD	WARETOWN	NJ	8758	
160372	1F6NF53Y390A01968	2010	CS	CA	3647	F	1/11/2010	1/20/2010	LONGVIEW	4811 MCINTOSH RD		DOVER	FL	33527	BROOKS RICHARD	18 TAUNTON RD	MEDFORD	NJ	8055	
160373	1F6NF53Y790A00662	2010	CS	CA	3920	F	12/2/2009	12/11/2009	NORTH TRAIL	LEE COUNTY RV SALES CO	5270 ORANGE RIVER BLVD	FORT MYERS	FL	33905	FOURMER ALISON	348 NW 45 TERR	DEERFIELD BEACH	FL	33442	
160374	1F6NF53Y090A00664	2010	CS	CA	3647	F	12/1/2009	12/10/2009	NORTH TRAIL	LEE COUNTY RV SALES CO	5270 ORANGE RIVER BLVD	FORT MYERS	FL	33905	SMIGELSKI BARBARA H	207 BIG PINE LN	PUNTA GORDA	FL	33955	
160375	1F6NF53Y690A00667	2010	CS	CA	3641	F	12/3/2009	12/14/2009	NORTH TRAIL	LEE COUNTY RV SALES CO	5270 ORANGE RIVER BLVD	FORT MYERS	FL	33905	RANDAZZO JOSEPH	2233 S W NATEMA RD	PORT ST LUCIE	FL	34953	
160378	584MP67G934393033	2010	CS	CA	3641	WH	1/13/2010	1/22/2010	STEINBRING	7390 COUNTY ROAD 82	PO BOX 160	GARFIELD	MN	56332	KAVANAGH JACK L	146 RAINBOW DRIVE	LIVINGSTON	TX	77993	
160379	584MP67G193439034	2010	CS	CA	3510	WH	1/22/2010	2/2/2010	ANSLEY	1280 ROUTE 764	PO BOX 239	DUNCANSVILLE	PA	16635	GROFF SHAWN A	49 FAWN HILL ROAD	HANOVER	PA	17331	
160380	1F6NF53Y490A01090	2010	CS	CA	3920	F	1/29/2010	2/9/2010	RON POTTS	5669 JOHNSTOWN UTICA RD		JOHNSTOWN	OH	43031-9408	RICH NANCY	13960 JOHNSTOWN UTICA RD	JOHNSTOWN	OH	43031	
160381	584MP67G934393035	2010	CS	CA	3510	WH	2/2/2010	2/11/2010	BRETZ	4800 GRANT CREEK RD		MISSOULA	MT	59808	CYSEWSKI JEFF	314 BTH AVE	KIRKLAND	WA	98033	
160382	1F6NF53Y690A01091	2010	CS	CA	3920	F	2/1/2010	2/10/2010	PROFESSIONAL SALES	1809 JOHN MCCAIN RD	PO BOX 1018	COLLEVILLE	TX	76034-6371	HARRIS WAYNE	1324 ROCK MAPLE DR	CARROLLTON	TX	75007	
160383	1F6NF53Y890A01092	2010	CS	CA	3855	F	2/8/2010	2/17/2010	GORES DICK	14590 DUVAL PLACE WEST		JACKSONVILLE	FL	32218	PEARSON DOUGLAS C	37178 S PINE ST	HILLIARD	FL	32046	
160384	1F6NF53YX90A01093	2010	CS	CA	3855	F	2/11/2010	2/22/2010	PROFESSIONAL SALES	1809 JOHN MCCAIN RD	PO BOX 1018	COLLEVILLE	TX	76034-6371	NELSON MIKE	959 HARBOR SPRINGS	FISCO	TX	75304	
160385	1F6NF53Y590A01745	2010	CS	CA	3410	F	2/15/2010	2/24/2010	BECKLEYS	BECKLEYS ENTERPRISES INC	11109 ANGLEBERGER RD	THURMONT	MD	21788	WILLIAMS STANLEY J	17428 RIVA RIDGE DR	HOLLYWOOD	MO	20636-2309	
160386	1F6NF53YX90A01272	2010	CS	CA	3855	F	2/25/2010	3/8/2010	INDEPENDENCE	5152 COMMERCE AVE		WINTER GARDEN	FL	34787	LAYCOCK GEOFFREY J	426 BRIDGE ST - APT. 3	CARLETON PLACE	ON	K7C 2B7	
160388	1F66F5DY680A00581	2011	CS	CA	3642	F	3/4/2010	3/16/2010	TOM LINDSTROM	5152 COMMERCE AVE		MOOREPARK	CA	93021-1761	GEORGE DONALD A	1986 E ROWLAND AVE	CAMARILLO	CA	93010	
160390	1F6NF53Y590A01275	2011	CS	CA	3920	F	3/11/2010	3/19/2010	MOUNT COMFORT	5935 W 225 N		GREENFIELD	IN	46140	SMITH ALLYN N	1802 N WOODBINE	ST JOSEPH	MO	64506	
160391	1F66F5DY980A00591	2011	CS	CA	3920	F	3/15/2010	3/22/2010	BECKLEYS	BECKLEYS ENTERPRISES INC	11109 ANGLEBERGER RD	THURMONT	MD	21788	CREDICO ANTHONY J	9008 BELMONT RD	POTOMAC	MD	20854	
160392	1F6NF53Y190A01273	2010	CS	CA	3920	F	3/5/2010	3/16/2010	HOLIDAY WORLD OF HOUSTON	28909 KATY FREEWAY		KATY	TX	77494	PATTERSON FRANKLIN	15507 TELGE TERRACE	TOMBALL	TX	77377	
160393	1F6NF53Y390A01274	2010	CS	CA	3856	F	3/12/2010	3/22/2010	LONGVIEW	4811 MCINTOSH RD		DOVER	FL	33527	PRICE C S	643 WINDFIELD RD	MOUNT JACKSON	VA	22842	
160394	1F66F5DY480A00594	2011	CS	CA	3920	F	3/15/2010	3/23/2010	STEINBRING	7390 COUNTY ROAD 82	PO BOX 160	GARFIELD	MN	56332						
160395	1F66F5DY680A00595	2011	CS	CA	3920	F	3/18/2010	3/29/2010	DIXIE RV	10241 DESTINATION DRIVE		HAMMOND	LA	70403	ROE WALTER	1709 LAKE MICHIGAN	HARVEY	LA	70058	
160397	1F66F5DYX80A00597	2011	CS	CA	3856	F	3/19/2010	3/31/2010	CAMPERS RV	DEW ENTERPRISES INC	7700 W 70TH ST	SHREVEPORT	LA	71129-2206	MCCAIN HAROLD L	1010 QUAIL RUN	COUSHATTA	LA	71019	
160398	1F66F5DY380A00599	2011	CS	CA	3920	F	3/22/2010	4/5/2010	HOLIDAY WORLD OF HOUSTON	28909 KATY FREEWAY		KATY	TX	77494	BARRIE BOYD	1418 HARLIN DR	WYLLIE	TX	75098	
160399	1F66F5DY180A00598	2011	CS	CA	3920	F	3/30/2010	4/9/2010	GORES DICK	14590 DUVAL PLACE WEST		JACKSONVILLE	FL	32218	HANDLEY WAYNE	2165 NW 88TH ST	GAINESVILLE	FL	32606	

160442	1F66F5DY780A02646	2011	CS	CA	3856	F	8/4/2010	8/13/2010	LEES RV CITY	13111 N BROADWAY EXT		OKLAHOMA CITY	OK	73114	JEZEWSKI DOUG	2260	HOLLYHILL LN	DENTON	TX	76205
160443	1F66F5DY880A02302	2011	CS	CA	3920	F	7/27/2010	8/5/2010	TOM LINDSTROM	5152 COMMERCE AVE		MOORPARK	CA	93021-1761						
160444	1F66F5DYX80A03063	2011	CS	CA	3810	F	8/25/2010	9/3/2010	BUDDY GREGG	BGMH ACQUISITION LLC	11730 SNYDER RD	KNOXVILLE	TN	37932	HALCOMB DAVID S	7325	2ND AVE	KENOSHA	WI	53143
160446	1F66F5DY080A00589	2011	CS	CA	3411	F	8/5/2010	8/16/2010	INDEPENDENCE	& SERVICE INC	12705 WEST COLONIAL DR	WINTER GARDEN	FL	34787	PLATFORD NEIL G	3116	SILVER PINE DR	LAKE MARY	FL	32746
160448	1F66F5DY880A02770	2011	CS	CA	3856	F	8/19/2010	8/30/2010	MOUNT COMFORT	5935 W 225 N		GREENFIELD	IN	46140						
160449	1F66F5DY180A02769	2011	CS	CA	3810	F	8/13/2010	8/26/2010	WILKINS	7520 STATE ROUTE 415		BATH	NY	14810	STROUGH BRUCE C	22690	PATTERSON DR	WATERTOWN	NY	13601
160450	1F66F5DY380A02904	2011	CS	CA	3856	F	8/24/2010	9/2/2010	GORES DICK	14590 DUVAL PLACE WEST		JACKSONVILLE	FL	32218	TILLOTSON LAWRENCE B	428	CHILDERS ST - PMB 21460	PENSACOLA	FL	32534
160451	1F66F5DY180A02903	2011	CS	CA	3856	F	8/23/2010	9/1/2010	GORES DICK	14590 DUVAL PLACE WEST		JACKSONVILLE	FL	32218	DAVIS KERRY L	PO BOX 72 - 56952	DAVIS RD	CALLAHAN	FL	32011
160452	584MP67G3B3439543	2011	CS	CA	3642	WH	8/20/2010	9/1/2010	MIDWAY	5590 S DIVISION AVE		GRAND RAPIDS	MI	49548	NOEDER ERROR I	21271	1 - MILE RD	REED CITY	MI	49677
160453	1F66F5DY780A02906	2011	CS	CA	3920	F	8/19/2010	8/31/2010	SIERRA RA	AMERICAN RV RENTALS INC	9125 S VIRGINIA ST	RENO	NV	89511	MCCULLERS CARL S	10235	S HOLMES RD	FRENCH CAMP	CA	95231
160454	1F66F5DY580A02905	2011	CS	CA	3920	F	8/23/2010	9/2/2010	INDEPENDENCE	12705 WEST COLONIAL DR		WINTER GARDEN	FL	34787	LOTT DWIGHT	12490	NAVAJO CT	DENVER	CO	80234
160455	1F66F5DY180A03064	2011	CS	CA	3856	F	8/26/2010	9/7/2010	TERRY LABONTE	TRADERS CHEVROLET LLC	1401 BRIDFORD PKWY	GREENSBORO	NC	27407-2657	TROGDON JOHN W	4419	FOX ST	RANDLEMAN	NC	27317
160456	1F66F5DY780A00590	2011	CS	CA	3642	F	9/7/2010	9/16/2010	TERRY LABONTE	TRADERS CHEVROLET LLC	1401 BRIDFORD PKWY	GREENSBORO	NC	27407-2657	TAYLOR JOHN W	404	OLD MILL RD	HIGH POINT	NC	27265
160457	1F66F5DY380A03065	2011	CS	CA	3920	F	9/1/2010	9/13/2010	GUARANTY RV	20 HWY 99 SOUTH		JUNCTION CITY	OR	97448						
160458	1F66F5DY580A03066	2011	CS	CA	3920	F	9/14/2010	9/23/2010	MOUNT COMFORT	5935 W 225 N		GREENFIELD	IN	46140	KAHL HELMUTH	119	KEYSTONE DR	MONTGOMERYVILLE	PA	18936
160459	584MP67G5B3439544	2011	CS	CA	3642	WH	9/14/2010	9/24/2010	CAMPER COACHES	1701 S LOOP 289		LUCKBOCK	TX	79423	MCNABB BARTON	11601	FM41 #4	ROPESVILLE	TX	79358
160460	1F66F5DY780A03151	2011	CS	CA	3920	F	9/13/2010	9/23/2010	PROFESSIONAL SALES	1809 JOHN MCCAIN RD	PO BOX 1018	COLLEVILLE	TX	76034-6371	HARRIS BARTON	7	QUINN CABIN CT	CONROE	TX	77304
160461	1F66F5DY680A03237	2011	CS	CA	3920	F	9/16/2010	9/28/2010	FREEDOM	3735 E IRVINGTON RD		TUCSON	AZ	85714	PRUITT DOYLE R	1800	HOWELL	MISSOULA	MT	59802
160462	584MP67G7B3439545	2011	CS	CA	3411	WH	9/21/2010	9/30/2010	RV SUPERSTORE	THE TERRY GROUP LLC	4427 E DANDELION ST	PAHRUMP	NV	89048-6527	SHAFFER DENNIS C	9636	GAVINSTONE AVE	LA S VEGAS	NV	89145
160463	1F66F5DY880A03238	2011	CS	CA	3856	F	9/20/2010	9/30/2010	MOUNT COMFORT	5935 W 225 N		GREENFIELD	IN	46140	STACY ROBERT	163	ORCHARD DRIVE	TROY	MO	63379
160464	1F66F5DY680A03240	2011	CS	CA	3920	F	9/22/2010	10/1/2010	BECKLEYS	BECKLEYS ENTERPRISES INC	11109 ANGLEBERGER RD	THURMONT	MD	21788	WOLANIUK GAIL S	1286	NAAMANS CREEK ROAD	BOOTHWYN	PA	19061
160466	1F66F5DY980A04043	2011	CS	CA	3411	F	9/16/2010	9/29/2010	INDEPENDENCE	& SERVICE INC	12705 WEST COLONIAL DR	WINTER GARDEN	FL	34787	MARSHALL RICHARD B	734	MC CALLISTER AVE	SUN CITY CENTER	FL	33573
160467	1F66F5DY880A04406	2011	CS	CA	3411	F	9/27/2010	10/7/2010	HOLIDAY WORLD OF HOUSTON	28909 KATY FREEWAY		KATY	TX	77494						
160468	1F66F5DY080A04044	2011	CS	CA	3642	F	9/27/2010	10/6/2010	HOLIDAY WORLD OF HOUSTON	28909 KATY FREEWAY		KATY	TX	77494	SMITH BRIAN	6418	OLD PECAN DR	RICHMOND	TX	77406
160470	1F66F5DYX80A04407	2011	CS	CA	3642	F	9/29/2010	10/11/2010	HOLIDAY WORLD OF HOUSTON	28909 KATY FREEWAY		KATY	TX	77494	TUTTLE CHRISTOPHER A	12011	RIVERVIEW DR	HOUSTON	TX	77077
160471	1F66F5DY780A03375	2011	CS	CA	3920	F	10/6/2010	10/18/2010	TERRY LABONTE	TRADERS CHEVROLET LLC	1401 BRIDFORD PKWY	GREENSBORO	NC	27407-2657	WARDER JONI M	218	FRANK ST	SUMMERSVILLE	SC	29483
160472	1F66F5DY180A04408	2011	CS	CA	3411	F	10/7/2010	10/18/2010	SIERRA RA	AMERICAN RV RENTALS INC	9125 S VIRGINIA ST	RENO	NV	89511	JAYNES CHRIS	PIER	BOX 285	SPARKS	NV	89432
160473	1F66F5DY980A03376	2011	CS	CA	3920	F	10/12/2010	10/21/2010	ANSLEY	1280 ROUTE 764	PO BOX 239	DUNCANSVILLE	PA	16635	TRICE GLENNA	5145	BECK RD	MOUNT PLEASANT	PA	15666
160474	1F66F5DY480A03379	2011	CS	CA	3920	F	10/28/2010	11/8/2010	WILKINS	7520 STATE ROUTE 415		BATH	NY	14810	MAHAN JAMES W	528	NORTHBROOK RD	WESTCHESTER	PA	19382
160475	1F66F5DY080A03377	2011	CS	CA	3920	F	10/14/2010	10/25/2010	A & S RV	2375 OPDYKE RD		AUBURN HILLS	MI	48326						
160476	1F66F5DY480A05598	2011	CS	CA	3411	F	10/20/2010	10/29/2010	HOLIDAY WORLD OF HOUSTON	28909 KATY FREEWAY		KATY	TX	77494	SHAW NEIL	5592	LONGMONT DR	HOUSTON	TX	77056
160477	1F66F5DY680A05750	2011	CS	CA	3642	F	10/27/2010	11/5/2010	PROFESSIONAL SALES	1809 JOHN MCCAIN RD	PO BOX 1018	COLLEVILLE	TX	76034-6371	GRAHAM RICHARD	2224	PINE THICKET LN	BEDFORD	TX	76021
160478	1F66F5DY880A05751	2011	CS	CA	3642	F	10/28/2010	11/8/2010	PROFESSIONAL SALES	1809 JOHN MCCAIN RD	PO BOX 1018	COLLEVILLE	TX	76034-6371	SCHILLER ALAN D	8636	SHADYBROOKE DR	NORTH RICHLAND HILLS	TX	76182-8336
160479	1F66F5DY280A03378	2011	CS	CA	3920	F	10/15/2010	10/26/2010	STEINBRING	7390 COUNTY ROAD 82	PO BOX 160	GARFIELD	MN	56332	BLANCHARD JAY	19784	KENRICK AVE	LAKESVILLE	MN	55044
160480	1F66F5DY880A03708	2011	CS	CA	3920	F	10/29/2010	11/9/2010	STEINBRING	7390 COUNTY ROAD 82	PO BOX 160	GARFIELD	MN	56332	RON SLETTO INC *	1408	3RD AVE E, PO BOX 454	ALEXANDRIA	MN	56332
160481	1F66F5DYX80A03709	2011	CS	CA	3856	F	11/1/2010	11/10/2010	TERRY LABONTE	TRADERS CHEVROLET LLC	1401 BRIDFORD PKWY	GREENSBORO	NC	27407-2657	BELLIS LAURA J	4640	HITCHCOCK RD	ODESSA	NV	14869
160482	1F66F5DY180A03548	2011	CS	CA	3856	F	11/1/2010	11/10/2010	MOUNT COMFORT	5935 W 225 N		GREENFIELD	IN	46140	CRIST LARRY	126	WOODLAND DR	SALEM	IL	62881
160483	1F66F5DYX80A03547	2011	CS	CA	3920	F	10/21/2010	11/1/2010	NORTH TRAIL	LEE COUNTY RV SALES CO	5270 ORANGE RIVER BLVD	FORT MYERS	FL	33905	SEAL) *	922	S E 14TH PL	CAPE CORAL	FL	33990
160484	1F66F5DY680A03545	2011	CS	CA	3810	F	10/25/2010	11/2/2010	NORTH TRAIL	LEE COUNTY RV SALES CO	5270 ORANGE RIVER BLVD	FORT MYERS	FL	33905	QUIDATANO MICHAEL J	1663	BRINTNALL DR	BRUNSWICK	OH	44212
160486	1F66F5DY680A03707	2011	CS	CA	3856	F	11/3/2010	11/12/2010	HARPER	1200 E 10TH ST		GREAT BEND	KS	67530	MAGILL RONALD	637	OKA HOLLOW DRIVE	KERRVILLE	TX	78028
160487	1F66F5DY080A06540	2011	CS	CA	3920	F	12/14/2010	1/10/2011	GORES DICK	14590 DUVAL PLACE WEST		JACKSONVILLE	FL	32218	KRIEGER HERBERT	1500	VIRGINIA DALE	HELENA	MT	59601
160488	1F66F5DY980A05600	2011	CS	CA	3920	F	11/2/2010	11/12/2010	A & S	2375 OPDYKE RD		AUBURN HILLS	MI	48326	LARIAULT ERIC	15	RUE SAINT - HAAOATHE	CANTLEY	PQ	J81 3H4
160490	1F66F5DY080A05601	2011	CS	CA	3920	F	11/5/2010	11/16/2010	NORTH TRAIL	LEE COUNTY RV SALES CO	5270 ORANGE RIVER BLVD	FORT MYERS	FL	33905	KOVATCH JOHN	51852	CHERYL DRIVE	GRANGER	IN	46530
160491	1F66F5DY280A05745	2011	CS	CA	3920	F	11/10/2010	11/19/2010	NORTH TRAIL	LEE COUNTY RV SALES CO	5270 ORANGE RIVER BLVD	FORT MYERS	FL	33905	DENICOLA BARRY C	112	BONAIRE LN	BONITA SPRINGS	FL	34134
160492	1F66F5DY480A05746	2011	CS	CA	3920	F	11/12/2010	11/23/2010	MOUNT COMFORT	5935 W 225 N		GREENFIELD	IN	46140	CAMPBELL BRUCE A	4081	E. CNTY RD 550 S.	MUNCIE	IN	47302
160493	1F66F5DY080A05890	2011	CS	CA	3810	F	11/17/2010	11/30/2010	WILKINS	7520 STATE ROUTE 415		BATH	NY	14810	MURPHY LARRY F	9551	HG TRUEMAN DR	LUSBY	MD	20657
160494	584MP67G0B3439547	2011	CS	CA	3411	WH	11/16/2010	11/29/2010	INDEPENDENCE	& SERVICE INC	12705 WEST COLONIAL DR	WINTER GARDEN	FL	34787	GRANT MARIE	8058	CAPTAIN MORGAN BLVD	ORLANDO	FL	32282
160495	1F66F5DY680A05747	2011	CS	CA	3920	F	11/15/2010	11/24/2010	GORES DICK	14590 DUVAL PLACE WEST		JACKSONVILLE	FL	32218	POTER JOHN	18	FALMOUTH BACK ROAD	FALMOUTH	NS	80P10
160496	584MP67G9B3439546	2011	CS	CA	3642	WH	11/18/2010	12/1/2010	GUARANTY RV	20 HWY 99 SOUTH	PO BOX 279	JUNCTION CITY	OR	97448	HORTSCH JERRY A	1460	N W 15TH ST	CORVALLIS	OR	97330
160497	1F66F5DY480A05892	2011	CS	CA	3920	F	11/22/2010	12/3/2010	NORTH TRAIL	LEE COUNTY RV SALES CO	5270 ORANGE RIVER BLVD	FORT MYERS	FL	33905	EPPLE BRADFORD R	5401	FOX FIRE LN	LOHMAN	MO	65053
160498	1F66F5DY280A05891	2011	CS	CA	3920	F	11/23/2010	12/6/2010	NORTH TRAIL	LEE COUNTY RV SALES CO	5270 ORANGE RIVER BLVD	FORT MYERS	FL	33905	MOSELEY GARY D	7751	S W 184 TERR	MIAMI	FL	33159
160499	1F66F5DY080A06053	2011	CS	CA	3920	F	11/24/2010	12/7/2010	NORTH TRAIL	LEE COUNTY RV SALES CO	5270 ORANGE RIVER BLVD	FORT MYERS	FL	33905	MENETTE JOHN T	2550	CHARLES THOMAS RD	CONNERSVILLE	IN	37047
160500	1F66F5DY480A06542	2011	CS	CA	3920	F	12/13/2010	1/7/2011	NORTH TRAIL	LEE COUNTY RV SALES CO	5270 ORANGE RIVER BLVD	FORT MYERS	FL	33905	ROBERTS ROBERT G	944	MARINA DR	WESTON	FL	33327
160501	1F66F5DY680A06543	2011	CS	CA	3920	F	12/10/2010	1/5/2011	NORTH TRAIL	LEE COUNTY RV SALES CO	5270 ORANGE RIVER BLVD	FORT MYERS	FL	33905	MANUCCI GIANNA	3375	DELAIDA	PASO ROBLES	CA	93446
160502	584MP67G0B3439550	2011	CS	CA	3642	WH	11/30/2010	12/9/2010	FREEDOM	3735 E IRVINGTON RD		TUCSON	AZ	85714	CARPENTER SANDRA W	501	W 7TH ST	WATTSBURG	WA	99361
160503	1F66F5DYX80A06545	2011	CS	CA	3810	F	1/7/2011	1/18/2011	INDEPENDENCE	& SERVICE INC	12705 WEST COLONIAL DR	WINTER GARDEN	FL	34787	TEPENEU PAVEL	800	PARKVIEW DR - APT. 1012	HALLANDALE	FL	33009
160504	1F66F5DY280A06541	2011	CS	CA	3810	F	12/14/2010	1/10/2011	COACHLIGHT	5327 S GARRISON AVE		CARTHAGE	MO	64836	WASHBURN JEFFERY	86361	EVERGREEN PLACE	YULEE	FL	32097
160505	1F66F5DYX80A06061	2011	CS	CA	3411	F	12/1/2010	12/10/2010	PROFESSIONAL SALES	1809 JOHN MCCAIN RD	PO BOX 1018	COLLEVILLE	TX	76034-6371	PENA RICHARD	24514	HILLIDE RIDGE	SAN ANTONIO	TX	78260
160506	1F66F5DY880A06544	2011	CS	CA	3856	F	1/3/2011	1/12/2011	HOLIDAY WORLD OF HOUSTON	28909 KATY FREEWAY		KATY	TX	77494	PARKER CW	209	SUNRISE DR	GRANBURY	TX	76049
160507	584MP67G2B3439548	2011	CS	CA	3642	WH	1/4/2011	1/14/2011	STEINBRING	7390 COUNTY ROAD 8										

160545	1F66F5DY780A06969	2011	CS	CA	3642	F	4/12/2011	4/25/2011	TOM LINDSTROM	5152 COMMERCE AVE	MOORPARK	CA	93021-1761	RUFFNER NICK	PO BOX 1241	DEPOE BAY	OR	97341	
160546	1F66F5DY680A08180	2011	CS	CA	3810	F	4/11/2011	4/20/2011	INDEPENDENCE	& SERVICE INC	12705 WEST COLONIAL DR	FL	34787	BRADLEY THOMAS	127 RAINBOW DR #2755	LIVINGSTON	TX	77399	
160547	1F66F5DYX80A08182	2011	CS	CA	3920	F	4/15/2011	4/27/2011	TOM LINDSTROM	5152 COMMERCE AVE	MOORPARK	CA	93021-1761						
160548	1F66F5DY180A08183	2011	CS	CA	3920	F	4/18/2011	4/28/2011	PROFESSIONAL SALES	1809 JOHN MCCAIN RD	PO BOX 1018	TX	76034-6371	BREAUX NORMAN	23310 FAIRBRANCH	KATY	TX	77494	
160549	1F66F5DY880A08181	2011	CS	CA	3810	F	4/14/2011	4/27/2011	HARPER	1200 E 10TH ST	GREAT BEND	KS	67530	LEON UBEH	1644 BOYCE LANE	FESTUS	MO	63028	
160550	1F66F5DY580A08350	2011	CS	CA	3856	F	4/25/2011	5/4/2011	BECKLEYS	BECKLEYS ENTERPRISES INC	11109 ANGLEBERGER RD	MD	21788	MOSKOWITZ JEROME D	11749 WINDING CREEK DRIVE	BERLIN	MO	21811	
160551	1F66F5DY880A08536	2011	CS	CA	3810	F	4/28/2011	5/9/2011	MIDSTATE CAMPERS	10400 RECREATIONAL DR	BLACK HAWK	SD	57718-8654	LATINOW DIANA	105 EAST BLAINE AVE	GETTYSBURG	SD	57442	
160552	1F66F5DY380A08184	2011	CS	CA	3810	F	4/20/2011	5/3/2011	TERRY LABONTE	TRADERS CHEVROLET LLC	1401 BRIDFORD PKWY	NC	27407-2657	WHICHARD KENNETH E	PO BOX 31062	RELEIGH	NC	27622	
160553	1F66F5DY880A08742	2011	CS	CA	3920	F	5/11/2011	5/20/2011	PROFESSIONAL SALES	1809 JOHN MCCAIN RD	COLLEVILLE	TX	76034-6371	CRANSTON KENDALL	24 CHAPPARRAL DRIVE	KERRVILLE	TX	78028	
160554	1F66F5DY980A07041	2011	CS	CA	3642	F	5/4/2011	5/13/2011	CRAIN RV	CRAIN RV LLC	9801 I-30	AR	72209-3305	SINISCALCHI ERROR A	1204 SOUTHLAKE CT	LEXINGTON	NC	27295	
160557	1F66F5DY880A07299	2011	CS	CA	3642	F	4/29/2011	5/10/2011	HOLIDAY WORLD OF HOUSTON	28909 KATY FREEWAY	KATY	TX	77494	BINKLEY JOHN	8211 COLONIAL OAKS	SPRING	TX	77379	
160558	1F66F5DY180A08538	2011	CS	CA	3810	F	5/6/2011	5/17/2011	BECKLEYS	BECKLEYS ENTERPRISES INC	11109 ANGLEBERGER RD	MD	21788	DELL CARROLL R	2165 HARNEY ROAD	LITTLETOWN	PA	17340	
160559	1F66F5DY980A07301	2011	CS	CA	3642	F	5/9/2011	5/18/2011	MOUNT COMFORT	5935 W 225 N	GREENFIELD	IN	46140	RICHARDS ERNEST R	8939 E. 2525TH RD	METCALF	IL	61940	
160560	1F66F5DY280A08743	2011	CS	CA	3920	F	5/7/2011	5/26/2011	COACHLIGHT	5327 S GARRISON AVE	CARTHAGE	MO	64836	JURGENSEN BALTH	3320 W BROADWAY DR	BROKEN ARROW	OK	74012	
160561	1F66F5DY180A07308	2011	CS	CA	3511	F	5/20/2011	6/3/2011	GUARANTY RV	20 HWY 99 SOUTH	JUNCTION CITY	OR	97448	FRENCH RAY	965 REDWAY/PO BOX 1252	REDWAY	CA	95560	
160562	1F66F5DY480A08744	2011	CS	CA	3856	F	5/13/2011	5/24/2011	NORTH TRAIL	LEE COUNTY RV SALES CO	FORT MYERS	FL	33905-2750	SCHUITEMA GARY J	31 DIAMOND POINT LANE	TELLURIDE	CO	81435	
160563	1F66F5DY880A08746	2011	CS	CA	3920	F	6/1/2011	6/13/2011	GUARANTY RV	20 HWY 99 SOUTH	JUNCTION CITY	OR	97448	JOHNSON DANIEL J	PO BOX 693 440 S 169TH ST.	SPANAWAY	WA	98387	
160564	1F66F5DY680A08745	2011	CS	CA	3714	F	5/26/2011	6/9/2011	PROFESSIONAL SALES	1809 JOHN MCCAIN RD	COLLEVILLE	TX	76034-6371	MURPHY GARY	4210 SOUTHAVERN CT	GRANBURY	TX	76049	
160565	1F66F5DY380A07309	2011	CS	CA	3642	F	6/3/2011	6/14/2011	ANCIRA	30500 IH-10 WEST	BOERNE	TX	78006	MCGIVNEY MIKE	4209 CROWN OAK PASS	SCHERTZ	TX	78154	
160566	1F66F5DY580A09045	2011	CS	CA	3714	F	6/6/2011	6/16/2011	ANCIRA	30500 IH-10 WEST	BOERNE	TX	78006	PAYNE JOHN W	14215 PHEASANT	SAN ANTONIO	TX	78223	
160568	1F66F5DY980A09047	2011	CS	CA	3920	F	6/7/2011	6/17/2011	STEINBRING	7390 COUNTY ROAD 82	GARFIELD	MN	56332	WRIGLEY BLAKE	5103 2ND ST E	W FARGO	ND	58078	
160569	1F66F5DY080A09048	2011	CS	CA	3714	F	6/10/2011	6/21/2011	MOUNT COMFORT	5935 W 225 N	GREENFIELD	IN	46140	STEVENS ROBERT	10297 TAMMER DR	CARMEL	IN	46032	
160570	1F66F5DY780A09046	2011	CS	CA	3856	F	6/8/2011	6/20/2011	MOUNT COMFORT	5935 W 225 N	GREENFIELD	IN	46140	SARVIS FRED	701 NOWLIN AVE	GREENDALE	IN	47025	
160571	1F66F5DY680A09233	2011	CS	CA	3920	F	6/16/2011	6/27/2011	ANSLEY	1280 ROUTE 764	DUNCANSVILLE	PA	16635	STOPPERICH PHILLIP	313 OAK RIDGE DR	VENETIA	PA	15367	
160572	1F66F5DY080A09230	2011	CS	CA	3714	F	6/17/2011	6/28/2011	ANSLEY	1280 ROUTE 764	DUNCANSVILLE	PA	16635	MCCORD MALCOM	2551 EDGEWOOD DRIVE	TYRONE	PA	16686	
160573	1F66F5DY280A09228	2011	CS	CA	3856	F	6/13/2011	6/23/2011	NORTH TRAIL	LEE COUNTY RV SALES CO	FORT MYERS	FL	33905-2750	WASBERG ROBERT	11004 JANICE DR	HUNTLEY	IL	60142	
160574	1F66F5DY480A09229	2011	CS	CA	3856	F	6/14/2011	6/24/2011	NORTH TRAIL	LEE COUNTY RV SALES CO	FORT MYERS	FL	33905-2750	ABELA WALTER A	1026 CROSSROADS DR	POULTY CITY	FL	33868	
160575	1F66F5DY280A09049	2011	CS	CA	3810	F	6/15/2011	6/24/2011	NORTH TRAIL	LEE COUNTY RV SALES CO	FORT MYERS	FL	33905-2750	AUTOMEGADOM *	LAHTINSKIY PR 118 A RUSSIA STREET	ST PETERSBURG	RU	195267	
160576	1F66F5DY480A11725	2011	CS	CA	3642	F	7/21/2011	8/2/2011	SKY RIVER	SKY RIVER INC	LIVERMORE	CA	94551-9500	SWANSON RONALD W	11036 KATJIAN DRIVE	EAGLE RIVER	AK	99577	
160577	1F66F5DY280A09231	2011	CS	CA	3856	F	6/20/2011	6/29/2011	MIDWAY	5590 S DIVISION AVE	GRAND RAPIDS	MI	49548	SWANSON BERTHACE	537 CANDLEWOOD PARK	NASHUA	NH	3062	
160578	1F66F5DY480A09375	2011	CS	CA	3920	F	7/11/2011	7/20/2011	BECKLEYS	BECKLEYS ENTERPRISES INC	11109 ANGLEBERGER RD	MD	21788	LEBRUN CHRISTOPHER T	10263 CABREY ROAD	ELLIOTT CITY	MD	21042	
160579	1F66F5DY280A10430	2011	CS	CA	3642	F	6/22/2011	7/11/2011	PROFESSIONAL SALES	1809 JOHN MCCAIN RD	COLLEVILLE	TX	76034-6371	WILKINSON BILLY	201 ROUGH EDGE RD	RUSTON	LA	71270	
160580	1F66F5DY480A09232	2011	CS	CA	3920	F	6/20/2011	6/30/2011	PROFESSIONAL SALES	1809 JOHN MCCAIN RD	COLLEVILLE	TX	76034-6371	BOYLE WAYNE L	PO BOX 1353	GRAHAM	TX	76450	
160583	1F66F5DY680A09376	2011	CS	CA	3920	F	7/15/2011	7/27/2011	NORTH TRAIL	LEE COUNTY RV SALES CO	FORT MYERS	FL	33905-2750	LOPES LEO	3110 WEST 84 STREET # 5	HAILEAH	FL	33018	
160584	1F66F5DY680A10429	2011	CS	CA	3511	F	7/12/2011	7/21/2011	NORTH TRAIL	LEE COUNTY RV SALES CO	5270 ORANGE RIVER BLVD	FL	33905-2750	LUKENS FAMILY TRUST (DALE	RR 1 BOX 95	GLADSTONE	IL	61437	
160585	1F66F5DYX80A11731	2011	CS	CA	3856	F	9/7/2011	9/16/2011	FREEDOM	3735 E IRVINGTON RD	TUCSON	AZ	85714	MARTIN JOHN F	385 W. LINNEATUS DR	COEUR D'ALENE	ID	83815	
160586	1F66F5DY980A09372	2011	CS	CA	3920	F	6/24/2011	7/13/2011	PROFESSIONAL SALES	1809 JOHN MCCAIN RD	COLLEVILLE	TX	76034-6371						
160587	1F66F5DY080A09373	2011	CS	CA	3920	F	6/27/2011	7/14/2011	MIDSTATE CAMPERS	10400 RECREATIONAL DR	BLACK HAWK	SD	57718-8654	WARD ROY	909 JEREMY COURT	VIRGINIA BEACH	VA	23454	
160588	1F66F5DY780A09371	2011	CS	CA	3856	F	6/24/2011	7/14/2011	WILL'S RV	10500 DURAND AVE	STURTEVANT	WI	53177-2314	WYDRA SCOTT	8225 DENBUR DRIVE	CHARLOTTE	NC	28215	
160589	1F66F5DY980A09565	2011	CS	CA	3810	F	7/25/2011	8/8/2011	WILKINS	7520 STATE ROUTE 415	BATH	NY	14810	ERWAY PAUL E	2921 PILGRIM PORT RD	LYONS	NC	14849	
160590	1F66F5DY380A09562	2011	CS	CA	3856	F	6/30/2011	7/20/2011	DAVES RV	SIMSO DAVID W	2 INDUSTRIAL PARK PLAZA	CT	06810	LEBLANC GEORGE	1010 SEMINOLE DRIVE, APT. 1212	FT LAUDERDALE	FL	33304	
160591	1F66F5DY580A09563	2011	CS	CA	3920	F	7/18/2011	7/27/2011	NORTH TRAIL	LEE COUNTY RV SALES CO	5270 ORANGE RIVER BLVD	FL	33905-2750	CERULL *	530 BUSINESS PARKWAY STE3	ROYAL PALM BEACH	FL	33411	
160592	1F66F5DY780A09564	2011	CS	CA	3920	F	7/20/2011	8/1/2011	SKY RIVER	SKY RIVER INC	5187 SOUTHFRONT RD	CA	94551-9500	COCKER RANDALL	13 Z STREET	LEES SUMMIT	MO	64086	
160593	1F66F5DY080A09566	2011	CS	CA	3920	F	8/1/2011	8/11/2011	MOUNT COMFORT	5935 W 225 N	GREENFIELD	IN	46140	MEURER GERALD	7888 E. 50 SOUTH	GREENTOWN	IN	46936	
160594	1F66F5DY080A09695	2011	CS	CA	3920	F	8/4/2011	8/16/2011	INDEPENDENCE	& SERVICE INC	12705 WEST COLONIAL DR	FL	34787	SMITH SHAMU C	51 SCARLETT DRIVE	BAXLEY	GA	31513	
160595	1F66F5DY280A09567	2011	CS	CA	3856	F	8/9/2011	8/18/2011	BECKLEYS	BECKLEYS ENTERPRISES INC	11109 ANGLEBERGER RD	MD	21788	1ST ADVANTAGE REALTY INC *	6375 MERCURY DRIVE STE 101	MECHANICSBURG	PA	17050	
160597	1F66F5DY680A10432	2011	CS	CA	3810	F	8/22/2011	8/31/2011	PROFESSIONAL SALES	1809 JOHN MCCAIN RD	COLLEVILLE	TX	76034-6371						
160598	1F66F5DY880A10433	2011	CS	CA	3856	F	8/30/2011	9/12/2011	HOLIDAY WORLD OF HOUSTON	28909 KATY FREEWAY	KATY	TX	77494	KELLY JIM	272 MADRONA RIDGE DR.	BANDERA	TX	78003	
160599	1F66F5DY180A11729	2011	CS	CA	3920	F	8/30/2011	9/13/2011	ANCIRA	30500 IH-10 WEST	BOERNE	TX	78006	FGY LTD (GAYLON YOUNG) *	2485 FM 216	IREDELL	TX	76649	
160600	1F66F5DY180A11732	2011	CS	CA	3911	F	9/7/2011	9/16/2011	STEINBRING	7390 COUNTY ROAD 82	GARFIELD	MN	56332	LABREQUE MARC	7401 CEDAR RAE AVE.	LAS VEGAS	NV	89131	
160601	1F66F5DY980A09050	2011	CS	CA	3920	F	9/7/2011	9/19/2011	FREEDOM	3735 E IRVINGTON RD	TUCSON	AZ	85714	SCHRAMM CARL R	430 S. BEGICH DR	WASILLA	AK	99654	
160602	1F66F5DY880A11727	2011	CS	CA	3511	F	9/1/2011	9/15/2011	MIDWAY	5590 S DIVISION AVE	GRAND RAPIDS	MI	49548						
160603	1F66F5DY880A11730	2011	CS	CA	3856	F	9/6/2011	9/16/2011	ANCIRA	30500 IH-10 WEST	BOERNE	TX	78006	PARIS ALVIN N	384 C.R. 373	SANDIA	TX	78383	
160604	1F66F5DY7C0A00803	2011	CS	CA	3856	F	9/8/2011	9/19/2011	SKY RIVER	6700 GOLDEN GATE DRIVE	DUBLIN	CA	94568-2910	THOMAS RON	6780 FABRIC DRIVE	SPARKS	NV	89436	
160605	1F66F5DY9C0A00804	2011	CS	CA	3920	F	9/8/2011	9/20/2011	SKY RIVER	6700 GOLDEN GATE DRIVE	SUITE B	DUBLIN	CA	94568-2910	KAPPELER) *	514 AMERICAS WAY #3841	BOX ELDER	SD	57719
160606	1F66F5DY5C0A00802	2011	CS	CA	3856	F	9/13/2011	9/22/2011	BUDDY GREGG	BGMH ACQUISITION LLC	11730 SNYDER RD	TX	37932	GLENN JOANNE	977 HAMILTON LANE	KINGSTON	TN	37763	
160607	1F66F5DY5C0A00668	2011	CS	CA	3642	F	9/12/2011	9/22/2011	HOLIDAY WORLD OF HOUSTON	28909 KATY FREEWAY	KATY	TX	77494	HUGHSTON RAY	999 SUNSHINE RD	BROWNSVILLE	TX	78521	
160609	1F66F5DYX80A11728	2011	CS	CA	3642	F	9/9/2011	9/20/2011	TOM LINDSTROM	5152 COMMERCE AVE	MOORPARK	CA	93021-1761						
160610	1F66F5DY5C0A01075	2011	CS	CA	3920	F	9/15/2011	9/27/2011	TOM LINDSTROM	5152 COMMERCE AVE	MOORPARK	CA	93021-1761	SIDUC MOTOR SPORTS LLC *	PO BOX 7967	MISSOULA	MT	59807	
160611	1F66F5DY9C0A01077	2011	CS	CA	3920	F	9/15/2011	9/27/2011	WILL'S RV	10500 DURAND AVE	STURTEVANT	WI	53177-2314	GIACOMOZZI BRIAN	PO BOX 1466	COLLEGE DALE	TN	37315	
160612	1F66F5DY3C0A00667	2011	CS	CA	3642	F	9/19/2011	9/29/2011	CRAIN RV	CRAIN RV LLC	9801 I-30	AR	72209-3305	ROBERTSON GARY	145 BIG OAK TRAIL	HOT SPRINGS	AR	71913	
160613	1F66F5DY2C0A01079	2011	CS	CA	3920	F	9/22/2011	10/5/2011	GORES DICK	14590 DUVAL PLACE WEST	JACKSONVILLE	FL	32218	KENNEDY ERIC S	8550 TOUCHTON DR #236	JACKSONVILLE	FL	32216	
160614	1F66F5DY0C0A01078	2011	CS	CA	3920	F	9/26/2011	10/7/2011	NORTH TRAIL	LEE COUNTY RV SALES CO	5270 ORANGE RIVER BLVD	FL	33905-2750	DENNISTON MICHELE	15975 JANE ST	KING CITY	ON	L78 1A	

160642	1F66F5DY9C0A02004	2012	CS	CA	3856	F	11/18/2011	11/30/2011	CRAIN RV	CRAIN RV LLC	9801 I-30	LITTLE ROCK	AR	72209-3305	GREENWOOD TOM L	245 RAINBOW DRIVE PMB 14541	LIVINGSTON	TX	77399	
160643	1F66F5DY2C0A02006	2012	CS	CA	3920	F	11/23/2011	12/2/2011	TOM LINDSTROM	5152 COMMERCE AVE		MOORPARK	CA	93021-1761	COMBS GENE	29260 BLACK PINE WAY	SAUGUS	CA	91390	
160644	1F66F5DY2C0A02152	2012	CS	CA	3920	F	12/8/2011	12/19/2011	BECKLEYS	BECKLEYS ENTERPRISES INC	11109 ANGLEBERGER RD	THURMONT	MD	21788	ZEMBRZUSKI LAURIE W	15573 PEBBLEBROOK DRIVE	CENTREVILLE	VA	20120	
160645	1F66F5DY4C0A02007	2012	CS	CA	3920	F	11/28/2011	12/6/2011	PROFESSIONAL SALES	1809 JOHN MCCAIN RD	PO BOX 1018	COLLEVILLE	TX	76034-6371	BRADFORD CHRISTOPHER HUTCHINSON FAMILY TRUST	1228 OVERLOOK CT	WHITNEY	TX	76692	
160646	1F66F5DY0C0A02005	2012	CS	CA	3856	F	11/29/2011	12/6/2011	NORTH TRAIL	LEE COUNTY RV SALES CO	5270 ORANGE RIVER BLVD	FORT MYERS	FL	33905-2750	(RALPH HUTC * C	1936 BASSETT RD	WEST LAKE	OH	44145	
160647	1F66F5DY7C0A02146	2012	CS	CA	3810	F	12/2/2011	12/12/2011	NORTH TRAIL	LEE COUNTY RV SALES CO	5270 ORANGE RIVER BLVD	FORT MYERS	FL	33905-2750	HOLMAN SCOT C	19146 PARK PLACE BLVD	EUSTIS	FL	32736	
160648	1F66F5DY9C0A02147	2012	CS	CA	3920	F	11/30/2011	12/7/2011	NORTH TRAIL	LEE COUNTY RV SALES CO	5270 ORANGE RIVER BLVD	FORT MYERS	FL	33905-2750	DELMORO STEPHEN	10234 289TH ST	MYAKKA CITY	FL	34251	
160649	1F66F5DY8C0A02155	2012	CS	CA	3920	F	11/22/2011	12/1/2011	NORTH TRAIL	LEE COUNTY RV SALES CO	5270 ORANGE RIVER BLVD	FORT MYERS	FL	33905-2750	BREASE MATHEW	1360 LAKE WASHINGTON ROAD	MELBORNE	FL	32934	
160650	1F66F5DY2C0A02149	2012	CS	CA	3920	F	11/30/2011	12/8/2011	NORTH TRAIL	LEE COUNTY RV SALES CO	5270 ORANGE RIVER BLVD	FORT MYERS	FL	33905-2750	PROVOST AARON	881 PRAVER HOUSE RD	WASHINGTON	LA	70589	
160651	1F66F5DY5C0A00671	2012	CS	CA	3511	F	12/5/2011	12/13/2011	MIDWAY	5590 S DIVISION AVE		FORT MYERS	MI	49548	DUNN ERIC M	11155 36TH ST SE	LOWELL	MI	49331	
160653	1F66F5DY5C0A02159	2012	CS	CA	3920	F	12/15/2011	1/10/2012	MOUNT COMFORT	5935 W 225 N		GREENFIELD	IN	46140	MANN JOHN L	207 WOODGROVE TRACE	SPARTANBURG	NC	29301	
160654	1F66F5DY9C0A02469	2012	CS	CA	3810	F	2/24/2012	3/6/2012	GOES DICK	14590 DUVAL PLACE WEST		JACKSONVILLE	FL	32218	KUNKLEMAN CARL B	3652 STATE HIGHWAY 34	WHEATLAND	WY	82201	
160655	1F66F5DYXC0A02156	2012	CS	CA	3810	F	12/9/2011	12/20/2011	GOES DICK	14590 DUVAL PLACE WEST		JACKSONVILLE	FL	32218	ROMESBURG KERY D	1031 1ST S SOUTH #705	JACKSONVILLE BEACH	FL	32250	
160656	1F66F5DYXC0A02349	2012	CS	CA	3911	F	1/19/2012	1/30/2012	WILKINS	7520 STATE ROUTE 415		BATH	NY	14810	SMITH DENNIS G	962 SOUND SHORE RD	RIVERHEAD	NY	11901	
160657	1F66F5DY6C0A02347	2012	CS	CA	3920	F	1/10/2012	1/19/2012	DAVES RV	SIMSO DAVID W	2 INDUSTRIAL PARK PLAZA	DANBURY	CT	06810	CLEGG CHRIS	4 SPRING HOUSE LANE	CUMBERLAND	RI	2864	
160658	1F66F5DY8C0A02348	2012	CS	CA	3920	F	1/16/2012	1/25/2012	BUDDY GREGG	BGMH ACQUISITION LLC	11730 SNYDER RD	KNOXVILLE	TN	37932	ADAM NORM	6986 LAKEPORT DR	LAKEPORT	MI	48059	
160659	1F66F5DY5C0A02355	2012	CS	CA	3856	F	2/20/2012	2/29/2012	BUDDY GREGG	BGMH ACQUISITION LLC	11730 SNYDER RD	KNOXVILLE	TN	37932	CHEESEMAN PAUL E	26 EAST 6TH AVE	RUNNEMEDE	NJ	8078	
160661	1F66F5DY4C0A02699	2012	CS	CA	3911	F	3/7/2012	3/20/2012	BECKLEYS	BECKLEYS ENTERPRISES INC	11109 ANGLEBERGER RD	THURMONT	MD	21788	CARLTON HENRI E	5116 ARBUTUS AVENUE	BALTIMORE	MD	21227	
160665	1F66F5DY6C0A02350	2012	CS	CA	3920	F	2/6/2012	2/15/2012	TOM LINDSTROM	5152 COMMERCE AVE		MOORPARK	CA	93021-1761	SARABIA MARK S	26921 VIA GRANDE	MISSION VIEJO	CA	92691	
160666	1F66F5DYXC0A02352	2012	CS	CA	3920	F	2/16/2012	2/27/2012	FREEDOM	3735 E IRVINGTON RD		TUCSON	AZ	85714	WILSON JEROLD L	1305 W. 39TH AVE	ANCHORAGE	AK	99503	
160667	1F66F5DY9C0A01659	2012	CS	CA	3642	F	1/26/2012	2/6/2012	PROFESSIONAL SALES	1809 JOHN MCCAIN RD	PO BOX 1018	COLLEVILLE	TX	76034-6371	WOODS DANA	12001 SCARLET OAK TRL	CANROE	TX	77385	
160668	1F66F5DY4C0A02931	2012	CS	CA	3940	F	3/12/2012	3/22/2012	MOUNT COMFORT	5935 W 225 N		GREENFIELD	IN	46140	LEMON DONALD	1515 RAVENSWOOD DR	COLUMBUS	IN	47201	
160669	1F66F5DY5C0A02470	2012	CS	CA	3856	F	2/24/2012	3/7/2012	BECKLEYS	BECKLEYS ENTERPRISES INC	11109 ANGLEBERGER RD	THURMONT	MD	21788	POLITANO PHILIP L	30 LITTLE KNOLL DRIVE	HANOVER	PA	17331	
160671	1F66F5DY8C0A02351	2012	CS	CA	3856	F	2/10/2012	2/21/2012	ANSLEY	1280 ROUTE 764		DUNCANVILLE	PA	16635	SPENCER DAVID L	209 SCHOOL AVE	CHESWICK	PA	15024	
160672	1F66F5DY7C0A02356	2012	CS	CA	3920	F	2/21/2012	3/2/2012	HOLIDAY WORLD OF HOUSTON	28909 KATY FREEWAY		KATY	TX	77494	HIEPTAS SCOTT	16418 DUNMOR DR	HOUSTON	TX	77059	
160673	1F66F5DY3C0A02144	2012	CS	CA	3511	F	2/13/2012	2/23/2012	NORTH TRAIL	LEE COUNTY RV SALES CO	5270 ORANGE RIVER BLVD	FORT MYERS	FL	33905-2750	MCCARTER BRIAN	2365 FLECKHART TRAIL	HIGHLANDS	MI	48356	
160674	1F66F5DY5C0A02145	2012	CS	CA	3511	F	2/15/2012	2/24/2012	NORTH TRAIL	LEE COUNTY RV SALES CO	5270 ORANGE RIVER BLVD	FORT MYERS	FL	33905-2750	DEMERS JOCELYN	87 IE ROUSSEAU RUE	SALABERRY-DE-VALLEYFIELD	QC	6F7 6M8	
160675	1F66F5DY3C0A02354	2012	CS	CA	3911	F	2/13/2012	2/22/2012	NORTH TRAIL	LEE COUNTY RV SALES CO	5270 ORANGE RIVER BLVD	FORT MYERS	FL	33905-2750	PORTER STEPHEN L	3182 SUNFINDER RD	DUQUOIN	IL	62832	
160676	1F66F5DY9C0A02357	2012	CS	CA	3920	F	2/22/2012	3/2/2012	GUARANTY RV	20 HWY 99 SOUTH		JUNCTION CITY	OR	97448	PERILLO PETER B	17885 MOUNTAIN VIEW RD	SISTERS	OR	97579	
160677	1F66F5DY7C0A02468	2012	CS	CA	3856	F	2/23/2012	3/5/2012	NORTH TRAIL	LEE COUNTY RV SALES CO	5270 ORANGE RIVER BLVD	FORT MYERS	FL	33905-2750	MOYNHAN WILLIAM A	6879 N W 65TH TER	PARKLAND	FL	33067	
160678	1F66F5DY7C0A02695	2012	CS	CA	3920	F	3/1/2012	3/13/2012	TOM LINDSTROM	5152 COMMERCE AVE		MOORPARK	CA	93021-1761	JONGEWARD TAMARA D	8633 MIRADA DEL SOL DR	LAS VEGAS	NV	89128	
160679	1F66F5DY6C0A04373	2012	CS	CA	3511	F	2/27/2012	3/8/2012	NORTH TRAIL	LEE COUNTY RV SALES CO	5270 ORANGE RIVER BLVD	FORT MYERS	FL	33905-2750	RINK CHARLES	11400 COUNTY ROAD 38	MILLERSBURG	IN	46543	
160680	1F66F5DY2C0A02930	2012	CS	CA	3920	F	3/8/2012	3/21/2012	WILKINS	7520 STATE ROUTE 415		BATH	NY	14810	ROSS BRUCE K	321 DANVY RD	GROTON	NY	13072	
160682	1F66F5DY3C0A02841	2012	CS	CA	3911	F	3/12/2012	3/27/2012	HOLIDAY WORLD OF HOUSTON	28909 KATY FREEWAY		KATY	TX	77494	HEISLER JON	9558 TROY ROAD	NEW CARLISLE	OH	45344	
160683	1F66F5DY2C0A02698	2012	CS	CA	3920	F	3/2/2012	3/14/2012	STEINBRING	7390 COUNTY ROAD 82	PO BOX 160	GARFIELD	MN	56332	HARDY JAY	5516 ANDREA AVE	SIOUX FALLS	SD	57108	
160684	1F66F5DY0C0A02697	2012	CS	CA	3856	F	3/5/2012	3/15/2012	PROFESSIONAL SALES	1809 JOHN MCCAIN RD	PO BOX 1018	COLLEVILLE	TX	76034-6371	PETTIT EDWARD	1624 BELLECHASE DR.	KELLER	TX	76262	
160685	1F66F5DYXC0A04375	2012	CS	CA	3642	F	3/6/2012	3/19/2012	STEINBRING	7390 COUNTY ROAD 82	PO BOX 160	GARFIELD	MN	56332	SZELAG THEODORE	216 RAINBOW DR #16175	LIVINGSTON	TX	77399	
160686	1F66F5DY1C0A04376	2012	CS	CA	3511	F	3/13/2012	3/28/2012	DAVES RV	SIMSO DAVID W	2 INDUSTRIAL PARK PLAZA	DANBURY	CT	06810	VINCHOSKI DONALD L	90 ARMORE DRIVE	WINGPERS FALLS	NY	12590	
160687	1F66F5DY6C0A02932	2012	CS	CA	3856	F	3/20/2012	4/10/2012	DIXIE RV	DIXIE RV SUPERSTORES	328 GREEN ACRES DR	DEFUNIACK SPRINGS	FL	32435	MURPHY TERENCE	7220 THOR LN	PENSACOLA	FL	32526	
160688	1F66F5DY7C0A03006	2012	CS	CA	3920	F	4/18/2012	5/2/2012	BUDDY GREGG	BGMH ACQUISITION LLC	11730 SNYDER RD	KNOXVILLE	TN	37932	BAUER THOMAS	18 MESA ST	KENNER	LA	70065	
160689	1F66F5DY9C0A03007	2012	CS	CA	3920	F	4/17/2012	4/30/2012	BUDDY GREGG	BGMH ACQUISITION LLC	11730 SNYDER RD	KNOXVILLE	TN	37932	RAY DARRYL P	103 REDBUD DR	SHELBYVILLE	TN	37160	
160690	1F66F5DY6C0A03000	2012	CS	CA	3920	F	3/19/2012	4/10/2012	GUARANTY RV	20 HWY 99 SOUTH		JUNCTION CITY	OR	97448	MINICHELLO FRANK	6 ELIZABETH WAY	LYNNFIELD	MA	01940	
160691	1F66F5DY5C0A02999	2012	CS	CA	3911	F	3/14/2012	3/29/2012	NORTH TRAIL	LEE COUNTY RV SALES CO	5270 ORANGE RIVER BLVD	FORT MYERS	FL	33905-2750	BROWN DANIEL	1316 CAMBRIDGE DR.	YUKON	OK	73099	
160692	1F66F5DY8C0A02933	2012	CS	CA	3856	F	3/15/2012	4/9/2012	NORTH TRAIL	LEE COUNTY RV SALES CO	5270 ORANGE RIVER BLVD	FORT MYERS	FL	33905-2750	BROWN TERRI S	6186 N W 63RD WAY	PARKLAND	FL	33067	
160693	1F66F5DY8C0A03001	2012	CS	CA	3856	F	3/19/2012	4/9/2012	NORTH TRAIL	LEE COUNTY RV SALES CO	5270 ORANGE RIVER BLVD	FORT MYERS	FL	33905-2750	BALOGH STEVEN L	904 PROSPERITY FARM RD	NORTH PALM BEACH	FL	33408	
160694	1F66F5DY8C0A04374	2012	CS	CA	3642	F	3/20/2012	4/11/2012	NORTH TRAIL	LEE COUNTY RV SALES CO	5270 ORANGE RIVER BLVD	FORT MYERS	FL	33905-2750	LACAYO PENNY	9730 FALLOWAY FARM RD	TALLAHASSEE	FL	32317	
160695	1F66F5DY1C0A03003	2012	CS	CA	3920	F	3/22/2012	4/12/2012	STEINBRING	7390 COUNTY ROAD 82	PO BOX 160	GARFIELD	MN	56332	FORD RON	19672 70TH AVE	CHIPPewa FALLS	WI	54729	
160696	1F66F5DY3C0A03002	2012	CS	CA	3920	F	3/21/2012	4/11/2012	PROFESSIONAL SALES	1809 JOHN MCCAIN RD	PO BOX 1018	COLLEVILLE	TX	76034-6371	JONES ANDREW	6805 SIMMONS RD	NORTH RICHMOND HILLS	TX	76182	
160697	1F66F5DY3C0A03004	2012	CS	CA	3920	F	3/29/2012	4/18/2012	TOM LINDSTROM	5152 COMMERCE AVE		MOORPARK	CA	93021-1761	HUNSAKER KELLI	5455 TAMM PLACE	LAS VEGAS	NV	21030	
160698	1F66F5DY0C0A05129	2012	CS	CA	3642	F	4/9/2012	4/18/2012	PROFESSIONAL SALES	1809 JOHN MCCAIN RD	PO BOX 1018	COLLEVILLE	TX	76034-6371	WARD BRIAN	178 CALDER RD	ST ANDREWS	MB	R1A 4E3	
160699	1F66F5DY3C0A04377	2012	CS	CA	3642	F	3/28/2012	4/16/2012	STEINBRING	7390 COUNTY ROAD 82	PO BOX 160	GARFIELD	MN	56332						
160700	1F66F5DY5C0A03005	2012	CS	CA	3920	F	4/11/2012	4/25/2012	ANSLEY	1280 ROUTE 764		DUNCANVILLE	PA	16635	YANUZO DONALD J	3489 FRYE AVENUE	FINLEYVILLE	PA	15332	
160701	1F66F5DY9C0A03010	2012	CS	CA	3810	F	5/3/2012	5/14/2012	BUDDY GREGG	BGMH ACQUISITION LLC	11730 SNYDER RD	KNOXVILLE	TN	37932	RUTHERFORD PAUL E	20405 FORK CREEK RD.	PHILADELPHIA	TN	37846	
160702	1F66F5DY7C0A05130	2012	CS	CA	3511	F	5/1/2012	5/10/2012	BUDDY GREGG	BGMH ACQUISITION LLC	11730 SNYDER RD	KNOXVILLE	TX	37932	PERRY DRAKE	200 GRANDVIEW DRIVE	SPARTA	TN	38583	
160703	1F66F5DY0C0A03011	2012	CS	CA	3911	F	4/26/2012	5/8/2012	WILKINS	7520 STATE ROUTE 415		BATH	NY	14810	(STEVEN BANKS * W	199 WATER ST 4TH FLOOR	NEW YORK	NY	10038	
160704	1F66F5DY0C0A03008	2012	CS	CA	3920	F	4/24/2012	5/3/2012	HOLIDAY WORLD OF HOUSTON	28909 KATY FREEWAY		KATY	TX	77494	CALDWELL WAYNE	801 E BEACH DRIVE UNIT BC2505	GALVESTON	TX	77550	
160706	1F66F5DY4C0A03710	2012	CS	CA	3920	F	4/30/2012	5/9/2012	STEINBRING	7390 COUNTY ROAD 82	PO BOX 160	GARFIELD	MN	56332	JOHNSTON JEFF	W 6704 FREY ROAD	SARONA	WI	54800	
160707	1F66F5DY5C0A03716	2012	CS	CA	3920	F	5/11/2012	5/22/2012	ANCIRA	30500 IH-10 WEST		BOERNE	TX	78006	SHARP MICHAEL	21817 SENNA HILLS DR	SAN ANTONIO	TX	78266	
160708	1F66F5DY8C0A03712	2012	CS	CA	3920	F	5/3/2012	5/15/2012	TERRY LABONTE	TRADERS CHEVROLET LLC	1401 BRIDFORD PKWY	GREENSBORO	NC	27407-2657	TODD DAWN	143 NICKLAUS DR	GARNER	NC	27529	
160709	1F66F5DY6C0A04034	2012	CS	CA	3953	F	5/24/2012	6/5/2012	NORTH TRAIL	LEE COUNTY RV SALES CO	5270 ORANGE RIVER BLVD	FORT MYERS	FL	33905-2750						

160744	1F66F5DY3C0A05738	2013	CS	CA	3920	F	7/10/2012	7/18/2012	HOLIDAY WORLD OF HOUSTON	28909 KATY FREEWAY		KATY	TX	77494	MCCLANAHAN VICKIE	14527 DUNSMORE PL	CYPRESS	TX	77429	
160745	1F66F5DY5C0A04736	2013	CS	CA	3920	F	6/19/2012	6/27/2012	STEINBRING	7390 COUNTY ROAD 82	PO BOX 160	GARFIELD	MN	56332	HESE LARRY	4945 ADA BLVD NW	EDMONTON	AB	T5W 4M9	
160746	1F66F5DY2C0A05732	2013	CS	CA	3920	F	6/20/2012	7/10/2012	STEINBRING	7390 COUNTY ROAD 82	PO BOX 160	GARFIELD	MN	56332	NEUKIRCHER KENNETH	2907 CLOVER PRESERVE DRIVE	CHASKA	MB	55318	
160747	1F66F5DY3C0A05464	2013	CS	CA	3610	F	7/24/2012	8/2/2012	FREEDOM	3735 E IRVINGTON RD		TUCSON	AZ	85714	HUBER RANDALL L	1037 BAY RD	QUEENSBURY	NY	12804	
160748	1F66F5DY0C0A05731	2013	CS	CA	3920	F	6/21/2012	7/10/2012	PROFESSIONAL SALES	1809 JOHN MCCAIN RD	PO BOX 1018	COLLEVILLE	TX	76034-6371	BINNS ROBERT A	1300 SMITH TD	HUFFMAN	TX	77336	
160749	1F66F5DYX0A000991	2013	CS	CA	3920	F	8/2/2012	8/13/2012	WILKINS	7520 STATE ROUTE 415		BATH	NY	14810	LEOUS DEBORAH C	152 FOREST EDGE DR	EAST AMHERST	NY	14051	
160750	1F66F5DY1C0A06791	2013	CS	CA	3920	F	7/19/2012	7/27/2012	TOM LINDSTROM	5152 COMMERCE AVE		MOORPARK	CA	93021-1761	EWERS ERROR D	2402 LAKE MORENA DR	CAMPO	CA	91906	
160751	1F66F5DY6C0A05734	2013	CS	CA	3856	F	6/22/2012	7/12/2012	WILKINS	7520 STATE ROUTE 415		BATH	NY	14810						
160753	1F66F5DY3D0A00993	2013	CS	CA	3911	F	8/7/2012	8/16/2012	NORTH TRAIL	LEE COUNTY RV SALES CO	5270 ORANGE RIVER BLVD	FORT MYERS	FL	33905-2750	SWAN BILLIE	12507 ALISO BEND LANE	HOUSTON	TX	77041	
160754	1F66F5DY7C0A07041	2013	CS	CA	3610	F	7/19/2012	7/30/2012	ANCIRA	30500 IH-10 WEST		BOERNE	TX	78006						
160755	1F66F5DYXC0A06790	2013	CS	CA	3911	F	7/12/2012	7/23/2012	NORTH TRAIL	LEE COUNTY RV SALES CO	5270 ORANGE RIVER BLVD	FORT MYERS	FL	33905-2750	BRANDSTADT ERICK	5424 OAKWOOD DRIVE	SHEFFIELD VILLAGE	OH	44054	
160756	1F66F5DY5D0A00008	2013	CS	CA	3920	F	7/26/2012	8/6/2012	NORTH TRAIL	LEE COUNTY RV SALES CO	5270 ORANGE RIVER BLVD	FORT MYERS	FL	33905-2750	MELLMAN LEON R	10503 KESTREL ST	PLANTATION	FL	33324	
160757	1F66F5DY4D0A00002	2013	CS	CA	3911	F	7/25/2012	8/3/2012	STEINBRING	7390 COUNTY ROAD 82	PO BOX 160	GARFIELD	MN	56332	POTTER BRUCE R	N11555 HWY H	CAMP DOUGLAS	WI	54618	
160758	1F66F5DY5C0A05465	2013	CS	CA	3610	F	8/3/2012	8/14/2012	COACHLIGHT	5327 S GARRISON AVE		CARTHAGE	MO	64836	MCGRATH RONALD	843 WELLINGTON AVE	MONETT	MO	65708	
160759	1F66F5DY8D0A00994	2013	CS	CA	3953	F	8/14/2012	8/23/2012	MIDSTATE CAMPERS	10400 RECREATIONAL DR		BLACK HAWK	SD	57718-8654	FREEDOM RV RENTALS LLC *	1410 ENCHANTMENT RD	RAPID CITY	SD	57202	
160760	1F66F5DY6C0A06785	2013	CS	CA	3610	F	8/10/2012	8/21/2012	CRAIN RV	CRAIN RV LLC	9801 I-30	LITTLE ROCK	AR	72209-3305	O'PRY STEVEN	34 PETUSA DRIVE	HOT SPRINGS VILLAGE	AR	71909	
160761	1F66F5DY3D0A06788	2013	CS	CA	3610	F	8/22/2012	8/31/2012	TOM LINDSTROM	5152 COMMERCE AVE		MOORPARK	CA	93021-1761	GIDEON DIANA A	377 SINALOA RD	SIMI VALLEY	CA	93065	
160762	1F66F5DY7D0A00995	2013	CS	CA	3920	F	8/13/2012	8/22/2012	MIDSTATE CAMPERS	10400 RECREATIONAL DR		BLACK HAWK	SD	57718-8654	AUGUSTIN ROGER	110 EAST CENTER STREET #687	MADISON	SD	57042	
160763	1F66F5DY9C0A07042	2013	CS	CA	3920	F	7/27/2012	8/7/2012	MOUNT COMFORT	5935 W 225 N		GREENFIELD	IN	46140	FRELAND NATALIE R	6700 MILERS DR	RALEIGH	NC	27615	
160764	1F66F5DY1D0A00992	2013	CS	CA	3920	F	8/6/2012	8/15/2012	MOUNT COMFORT	5935 W 225 N		GREENFIELD	IN	46140	CULLMAN CONSTANCE E	23 EAST WALNUT	ALEXANDRIA	VA	22301	
160765	1F66F5DYX0A001977	2013	CS	CA	3810	F	8/31/2012	9/12/2012	STEINBRING	1809 JOHN MCCAIN RD	PO BOX 1018	COLLEVILLE	TX	76034-6371	GBEKNJANS WADE	4301 B SOUTH PARK DR	SIDNEY PLAIN	AB	T72 2A9	
160766	1F66F5DYX0A001736	2013	CS	CA	3856	F	8/23/2012	9/4/2012	MOUNT COMFORT	5935 W 225 N		GREENFIELD	IN	46140	ALDRICH JOHN	8392 WYCLIFFE DR	CINCINNATI	OH	45244	
160767	1F66F5DY8D0A01735	2013	CS	CA	3856	F	8/28/2012	9/7/2012	MOUNT COMFORT	5935 W 225 N		GREENFIELD	IN	46140	MARCH JOHN	125 NE 5TH ST	OAK ISLAND	NC	28465	
160768	1F66F5DY1D0A01978	2013	CS	CA	3920	F	9/5/2012	9/14/2012	GUARANY RV	20 HWY 99 SOUTH	PO BOX 279	JUNCTION CITY	OR	97448						
160769	1F66F5DYXC0A06787	2013	CS	CA	3313	F	8/17/2012	8/28/2012	MOUNT COMFORT	5935 W 225 N		GREENFIELD	IN	46140	KUNTZ RALPH	10655 N US 421	OSGOD	IN	47037	
160771	1F66F5DY8D0A02660	2013	CS	CA	3810	F	9/24/2012	10/15/2012	STEINBRING	7390 COUNTY ROAD 82	PO BOX 160	GARFIELD	MN	56332	SCHASKER RANDY S	203 DIAMOND OAKS RD	ROSEVILLE	CA	95678	
160773	1F66F5DY1D0A02435	2013	CS	CA	3911	F	9/15/2012	9/25/2012	DESERT AUTOPLEX	KORGES ENTERPRISES INC	3335 E MAIN ST	MESA	AZ	85213-8607	NISSEN SHARON Y	10308 40TH PL SE	LAKE STEVENS	WA	98258	
160774	1F66F5DY8D0A01976	2013	CS	CA	3920	F	8/31/2012	9/11/2012	DESERT AUTOPLEX	KORGES ENTERPRISES INC	3335 E MAIN ST	MESA	AZ	85213-8607	BAKER MICHAEL A	11722 N. 129TH STREET	SCOTTSDALE	AZ	85259	
160775	1F66F5DY3D0A01738	2013	CS	CA	3911	F	8/29/2012	9/10/2012	GORES DICK	14590 DUVAL PLACE WEST		JACKSONVILLE	FL	32218	HUNTER JAMES U	27651 PARADISE LN	SANDERSON	FL	32087	
160776	1F66F5DY1D0A01737	2013	CS	CA	3920	F	8/24/2012	9/4/2012	MIDSTATE CAMPERS	10400 RECREATIONAL DR		BLACK HAWK	SD	57718-8654	WENANDE JOHN	2002 CENTRAL BLVD	RAPID CITY	SD	57202	
160777	1F66F5DY6D0A001975	2013	CS	CA	3920	F	9/5/2012	9/13/2012	TOM LINDSTROM	5152 COMMERCE AVE		MOORPARK	CA	93021-1761	GREER BRENDA	334 TULIP CIRCLE	FREDERICKSBURG	VA	22408	
160779	1F66F5DY3D0A01979	2013	CS	CA	3920	F	9/4/2012	9/13/2012	STEINBRING	7390 COUNTY ROAD 82	PO BOX 160	GARFIELD	MN	56332						
160780	1F66F5DY6D0A02205	2013	CS	CA	3920	F	9/6/2012	9/17/2012	GUARANY RV	20 HWY 99 SOUTH	PO BOX 279	JUNCTION CITY	OR	97448	BLUMENSCHNEIDER RORY F	282 N E HYDE CIRCLE	HILLSBORO	OR	97124	
160781	1F66F5DY3D0A02436	2013	CS	CA	3920	F	9/17/2012	9/26/2012	INDEPENDENCE	& SERVICE INC		WINTER GARDEN	FL	34787	LAWRENCE RICHARD S	11246 N W 60TH AVENUE	REDDICK	FL	32686	
160782	1F66F5DY8D0A00777	2013	CS	CA	3610	F	9/14/2012	9/24/2012	INDEPENDENCE	& SERVICE INC		WINTER GARDEN	FL	34787	PALKOVIC JOHN	1738 MEANDER LANE	TITUSVILLE	FL	32796	
160783	1F66F5DY5D0A02437	2013	CS	CA	3953	F	9/18/2012	9/27/2012	INDEPENDENCE	& SERVICE INC		WINTER GARDEN	FL	34787	CUTONE RONALD	6425 NEBO ROAD	HIRAM	GA	30141	
160784	1F66F5DY1D0A02208	2013	CS	CA	3856	F	9/10/2012	9/18/2012	NORTH TRAIL	LEE COUNTY RV SALES CO		FORT MYERS	FL	33905-2750	CIULLO ANTHONY	12309 IMPERIAL DR.	SEMINOLE	FL	33772	
160785	1F66F5DYX0A02210	2013	CS	CA	3920	F	9/14/2012	9/24/2012	NORTH TRAIL	LEE COUNTY RV SALES CO		FORT MYERS	FL	33905-2750	MINTHORN LAWRENCE	491 WEDGE DR	NAPLES	FL	34103	
160786	1F66F5DY4D0A01974	2013	CS	CA	3920	F	8/30/2012	9/11/2012	A & S RV	2375 OPDYKE RD		AUBURN HILLS	MI	48326	ALLGOOD GARY	2350 CHERRY TREE RD	GURLEY	AL	35748	
160787	1F66F5DYX0A02207	2013	CS	CA	3920	F	9/11/2012	9/20/2012	CRAIN RV	CRAIN RV LLC	9801 I-30	LITTLE ROCK	AR	72209-3305	STEWART HOWARD	1776 SAINT PAUL RD	MILLINGTON	TN	38053	
160788	1F66F5DY3D0A02209	2013	CS	CA	3911	F	9/13/2012	9/21/2012	COACHLIGHT	5327 S GARRISON AVE		CARTHAGE	MO	64836	MARCUSSON LARRY	1055 LAKE DRIVE	KEYTESVILLE	MO	65261	
160789	1F66F5DY1D0A02211	2013	CS	CA	3920	F	9/15/2012	9/25/2012	LASSO E	23486 COUNTY ROAD E34		ANAMOSA	IA	52205-7850	TUETKEN CHRISTOPHER P	3481 LENNON LANE	MARRION	IA	52302	
160790	1F66F5DY8D0A02206	2013	CS	CA	3920	F	9/26/2012	10/8/2012	BECKLEYS	BECKLEYS ENTERPRISES INC	11109 ANGLEBERGER RD	THURMONT	MD	21788	STEPHENS JEFFREY L	1736 WATER STREET	MIDDLETOWN	PA	17057	
160791	1F66F5DY7D0A02438	2013	CS	CA	3920	F	9/19/2012	10/2/2012	ANCIRA	30500 IH-10 WEST		BOERNE	TX	78006	WHEELWRIGHT DOUG	PO BOX 1314 - 4401 W BAYSHORE	ANAHUGE	TX	77514	
160793	1F66F5DY9D0A02439	2013	CS	CA	3911	F	9/26/2012	10/9/2012	ANCIRA	30500 IH-10 WEST		BOERNE	TX	78006	SOUTHERLAND RICHARD	23924 MILESTONE	SPICEWOOD	TX	78669	
160794	1F66F5DY8D0A02996	2013	CS	CA	3515	F	10/5/2012	10/15/2012	MOUNT COMFORT	5935 W 225 N		GREENFIELD	IN	46140	LOWE BRADFORD	16330 PORT DICKINSON	JUPITER	FL	33477	
160795	1F66F5DY2D0A03223	2013	CS	CA	3920	F	10/22/2012	10/30/2012	GUARANY RV	20 HWY 99 SOUTH	PO BOX 279	JUNCTION CITY	OR	97448	LAPOMA JOSEPH M	12515 SE 71ST AVE	MILWAUKIE	OR	97222-2000	
160796	1F66F5DY6D0A02995	2013	CS	CA	3515	F	10/9/2012	10/18/2012	GUARANY RV	20 HWY 99 SOUTH	PO BOX 279	JUNCTION CITY	OR	97448	CARLIN JAMES R	89606 DEMMING RD	ELMIRA	OR	97437	
																BURN CREEK II LLC (ANDREW G				
160797	1F66F5DY5D0A02440	2013	CS	CA	3920	F	10/10/2012	10/19/2012	NORTH TRAIL	LEE COUNTY RV SALES CO	5270 ORANGE RIVER BLVD	FORT MYERS	FL	33905-2750	SAGE II *	214 LIST ROAD	PALM BEACH	FL	33480	
160798	1F66F5DY0D0A03219	2013	CS	CA	3920	F	10/11/2012	10/19/2012	NORTH TRAIL	LEE COUNTY RV SALES CO	5270 ORANGE RIVER BLVD	FORT MYERS	FL	33905-2750	NULL MARK A	171 SE 12TH ST	POM PANO BEACH	FL	33060	
160799	1F66F5DY7D0A03220	2013	CS	CA	3856	F	10/12/2012	10/23/2012	GORES DICK	14590 DUVAL PLACE WEST		JACKSONVILLE	FL	32218	HEATHCORE PAUL E	852 VALLEY DR	CANTON	GA	30114	
160800	1F66F5DY2D0A03562	2013	CS	CA	3920	F	11/8/2012	11/15/2012	TOM LINDSTROM	500 W LOS ANGELES AVE		MOORPARK	CA	93021	CATES DENNIS R	3503 S. BRIDGE ST	VISALIA	CA	93277	
160801	1F66F5DY2D0A04906	2013	CS	CA	3810	F	11/21/2012	11/30/2012	WILKINS	7520 STATE ROUTE 415		BATH	NY	14810	GABRIEL THOMAS M	16 IRVIN AVE	COLLINGSWOOD	NJ	8108	
160802	1F66F5DY7D0A03959	2013	CS	CA	3610	F	11/6/2012	11/14/2012	TOM LINDSTROM	500 W LOS ANGELES AVE		MOORPARK	CA	93021	BREWSTER GERALD W	1011 ALPINE OAKS DR	ALPINE	CA	91901	
160803	1F66F5DY4D0A03563	2013	CS	CA	3940	F	10/26/2012	11/5/2012	NORTH TRAIL	LEE COUNTY RV SALES CO	5270 ORANGE RIVER BLVD	FORT MYERS	FL	33905-2750	MCCELLEAN FLOYD L	29871 ROSS ROAD	CORRY	PA	16408	
160804	1F66F5DY0D0A03222	2013	CS	CA	3610	F	10/23/2012	10/31/2012	NORTH TRAIL	LEE COUNTY RV SALES CO	5270 ORANGE RIVER BLVD	FORT MYERS	FL	33905-2750	LEAVITT MICHAEL T	135 WESTON RD - SUITE 324	WESTON	FL	33326	
160805	1F66F5DY8D0A03565	2013	CS	CA	3920	F	10/30/2012	11/6/2012	NORTH TRAIL	LEE COUNTY RV SALES CO	5270 ORANGE RIVER BLVD	FORT MYERS	FL	33905-2750	FRAIN PAUL C	12880 74 AVE N	SEMINOLE	FL	33776	
160806	1F66F5DY6D0A03225	2013	CS	CA	3920	F	10/25/2012	11/2/2012	NORTH TRAIL	LEE COUNTY RV SALES CO	5270 ORANGE RIVER BLVD	FORT MYERS	FL	33905-2750	ARRETTEIG CHRISTINE B	18931 SWEEP PEPPER CT	JUPITER	FL	33458	
160807	1F66F5DY0D0A03561	2013	CS	CA	3953	F	10/26/2012	11/5/2012	COACHLIGHT	5327 S GARRISON AVE		CARTHAGE	MO	64836	MADDOX JOHNNY R	3504 HOLIDAY PLACE	BOSSIER CITY	LA	71112	
160808	1F66F5DY1D0A02659	2013	CS	CA	3953	F	11/20/2012	11/29/2012	BUDDY GREGG	BGMH ACQUISITION LLC	11730 SNYDER RD	KNOXVILLE	TN	37932	EVERYONE RIDES AUTO SALES *	PO BOX 1055	CORBIN	KY	40702	
160809	1F66F5DY1D0A04914	2013	CS	CA	3911	F	1/7/2013	1/14/2013	WILKINS											

160852	1F66F5DY4D0A06916	2014	CS	CA	3921	F	2/22/2013	3/5/2013	GORES DICK	14590 DUVAL PLACE WEST	JACKSONVILLE	FL	32218	PORFIDIO LEANNA	5548 S ROCKPORT RD	BLOOMINGTON	IN	47403		
160854	1F66F5DY6D0A05878	2013	CS	CA	3953	F	1/30/2013	2/7/2013	INDEPENDENCE	& SERVICE INC	12705 WEST COLONIAL DR	WINTER GARDEN	FL	34787	LEWIS JAMES R	251 PATTERSON RD. LOT A7	HAINES CITY	FL	33844	
160855	1F66F5DY2D0A05876	2013	CS	CA	3920	F	1/29/2013	2/6/2013	INDEPENDENCE	& SERVICE INC	12705 WEST COLONIAL DR	WINTER GARDEN	FL	34787	SHAW BOBBY	1100 COUNTRY MANOR CIRCLE	JONESBORO	AR	72404	
160856	1F66F5DY7D0A05338	2013	CS	CA	3610	F	1/23/2013	1/31/2013	INDEPENDENCE	& SERVICE INC	12705 WEST COLONIAL DR	WINTER GARDEN	FL	34787	TAYLOR FRED R	804 CHANNING DR	RICHMOND HILL	GA	31324	
160857	1F66F5DY4D0A04924	2013	CS	CA	3610	F	1/7/2013	1/15/2013	PROFESSIONAL SALES	1809 JOHN MCCAIN RD	PO BOX 1018	COLLEVILLE	TX	76034-6371	WALLACE WELDON	14311 GOLIAD DR	LOG CABIN	TX	75148	
160858	1F66F5DY5D0A05872	2013	CS	CA	3920	F	1/16/2013	1/24/2013	LIASSO E	23486 COUNTY ROAD E34		ANAMOSA	IA	52205-7850	MYSAK RICKY L	2220 GREY WOLF	HIAWATHA	IA	52233	
160859	1F66F5DY3D0A06700	2013	CS	CA	3920	F	1/31/2013	2/11/2013	AVALON	1604 MEDINA RD		MEDINA	OH	44256-8118	BALBONI SANDRA D	130 3RD ST. - PO BOX 85	CENTRE HALL	PA	16828	
160860	1F66F5DY5D0A05340	2013	CS	CA	3610	F	1/29/2013	2/6/2013	HOLIDAY WORLD OF HOUSTON	28909 KATY FREEWAY		KATY	TX	77494	CONNER MICHAEL	4177 FM 920	WEATHERFORD	TX	76088	
160861	1F66F5DY5D0A06699	2013	CS	CA	3953	F	2/1/2013	2/12/2013	HOLIDAY WORLD OF HOUSTON	28909 KATY FREEWAY		KATY	TX	77494	PICKERING SANDRA	12519 TAYLOR DR	BUDA	TX	78610	
160862	1F66F5DY2D0A05344	2013	CS	CA	3610	F	2/13/2013	2/21/2013	FIFE	FIFE RV & AUTO CENTER INC	3520 PACIFIC HWY E	FIFE	WA	98424-1121	CRAMER CHARLES T	PO BOX 7314	BONNEY LAKE	WA	98391	
160863	1F66F5DY4D0A05877	2013	CS	CA	3920	F	1/28/2013	2/5/2013	FIFE	FIFE RV & AUTO CENTER INC	3520 PACIFIC HWY E	FIFE	WA	98424-1121	OVERMAN ARTHUR C	9009 51ST AVE NE	OLYMPIA	WA	98516	
160864	1F66F5DY7D0A06702	2013	CS	CA	3940	F	2/5/2013	2/13/2013	WILKINS	7520 STATE ROUTE 415		BATH	NY	14810	BENNINGTON RICHARD R	25 SULLIVAN DRIVE	GUILFORD	NC	6437	
160865	1F66F5DY9D0A05874	2013	CS	CA	3911	F	1/30/2013	2/7/2013	WILKINS	7520 STATE ROUTE 415		BATH	NY	14810	PETERS VIRGINIA S	502 TANBRIDGE	WILMINGTON	CT	28405	
160866	1F66F5DY5D0A06701	2013	CS	CA	3920	F	2/4/2013	2/12/2013	WILKINS	7520 STATE ROUTE 415		BATH	NY	14810	BUTLER NANCY	9471 EAST MUD LAKE RD	FULTON	NY	13069	
160867	1F66F5DY7D0A05341	2013	CS	CA	3610	F	2/6/2013	2/14/2013	ST LOUIS	GMT AUTO SALES INC	1080 W TERRA LN	O FALLON	MO	63366-2318	STAR CANYON LLC *	5480 KEIL LOOP	MISSOULA	MT	59808	
160868	1F66F5DY5D0A05869	2013	CS	CA	3920	F	1/14/2013	1/22/2013	ST LOUIS	GMT AUTO SALES INC	1080 W TERRA LN	O FALLON	MO	63366-2318	HALL JEFFEREY	1535 W. 200TH ST	FARMINGTON	MO	55024	
160870	1F66F5DY8D0A06918	2013	CS	CA	3953	F	3/1/2013	3/11/2013	BUDDY GREGG	BGMH ACQUISITION LLC	11730 SNYDER DR	KNOXVILLE	TN	37932	SINGLETON GEORGE	1118 JEFFERSON ST	SULPHUR SPRINGS	TX	75242	
160872	1F66F5DY7D0A06912	2013	CS	CA	3920	F	3/8/2013	3/18/2013	TOM JOHNSON	CENTER CHARLOTTE LLC	6700 BRUTON SMITH BLVD	CONCORD	NC	28027-0120	HAWKES ERROR	3303 HOLLYLANE SOUNDVIEW	NEWPORT	NC	28570	
160873	1F66F5DY2D0A06705	2013	CS	CA	3610	F	2/14/2013	2/25/2013	TOM JOHNSON	1885 US 70 WEST		MARION	NC	28752-7455	RICHMOND MARK H	1496 BEACH BLVD UNIT G	BLOXI	MX	39530	
160874	1F66F5DY9D0A06703	2013	CS	CA	3953	F	2/12/2013	2/20/2013	TOM JOHNSON	1885 US 70 WEST		MARION	NC	28752-7455	SIMPSON JEROME	1036 DAN MAPLES DR	CRAMERTON	NC	28032	
160876	1F66F5DY6D0A06707	2013	CS	CA	3920	F	2/19/2013	2/27/2013	HOLIDAY ON WHEELS	OF PANAMA CITY INC	4104 W 23RD ST	PANAMA CITY	FL	32405-1318	WILLIAMS GREGORY J	941 STATE RD 20 W	YOUNGSTOWN	FL	32466	
160877	1F66F5DY8D0A06708	2013	CS	CA	3953	F	2/21/2013	3/1/2013	HOLIDAY ON WHEELS	OF PANAMA CITY INC	4104 W 23RD ST	PANAMA CITY	FL	32405-1318	MIXON LAWRENCE B	3765 WALNUT CREEK DR	COLUMBUS	OH	43224	
160878	1F66F5DYXDOA07276	2013	CS	CA	3610	F	2/22/2013	3/4/2013	INDEPENDENCE	& SERVICE INC	12705 WEST COLONIAL DR	WINTER GARDEN	FL	34787	HARDMAN CHARLES E	10 ORCHARD DR	BIG FALLS	NY	14814	
160879	1F66F5DY0D0A05343	2013	CS	CA	3610	F	2/11/2013	2/20/2013	BERRYLAND	42775 PLEASANT RIDGE RD EXT		PONCHATOULA	LA	70454-4756	JONES JOHN R	5385 AMY WAY	MIMS	FL	32754	
160880	1F66F5DY2D0A06915	2013	CS	CA	3920	F	2/28/2013	3/8/2013	BERRYLAND	42775 PLEASANT RIDGE RD EXT		PONCHATOULA	LA	70454-4756	BORDELON KENNY S	555 HWY 1186	MANSUMA	LA	71350	
160881	1F66F5DY0D0A06704	2013	CS	CA	3940	F	2/14/2013	2/22/2013	TOM JOHNSON	1885 US 70 WEST		MARION	NC	28752-7455	YARBOUROUGH KEVIN	2184 LITTLE JOHN TRL	NEWTON	NC	28658	
160882	1F66F5DY3D0A07121	2013	CS	CA	3920	F	3/13/2013	3/20/2013	GUARANTY RV	20 HWY 99 SOUTH		JUNCTION CITY	OR	97448	DELANEY GARY	11400 WEST PARKER LN #71	CEDAR PARK	TX	76613	
160883	1F66F5DY9D0A05342	2013	CS	CA	3610	F	2/7/2013	2/15/2013	BATES	BATES SHOW SALES STAFF INC	4656 MCINTOSH RD	DOVER	FL	33527-4132	ENGL ROBERT	2100 DOUD ST. - LOT 37	SARASOTA	FL	34231	
160884	1F66F5DY6D0A06917	2013	CS	CA	3920	F	3/1/2013	3/11/2013	INDEPENDENCE	& SERVICE INC	12705 WEST COLONIAL DR	WINTER GARDEN	FL	34787	LOBSEGGER PHILIP A	5983 WEDGEWOOD VILLAGE CIRCLE	LAKE WORTH	FL	33463	
160885	1F66F5DY0D0A06914	2013	CS	CA	3610	F	2/27/2013	3/7/2013	NORTH TRAIL	LEE COUNTY RV SALES CO	5270 ORANGE RIVER BLVD	FORT MYERS	FL	33905-2750	MEANS WILLIAM E	4798 SMOKETALK LN	WESTERLY	OH	43081	
160886	1F66F5DY4D0A06706	2013	CS	CA	3610	F	2/19/2013	2/28/2013	NORTH TRAIL	LEE COUNTY RV SALES CO	5270 ORANGE RIVER BLVD	FORT MYERS	FL	33905-2750	WERLEY THOMAS W	10613 VICENZA CT	FORT MYERS	FL	33913	
160887	1F66F5DY4D0A05345	2013	CS	CA	3515	F	2/20/2013	2/28/2013	NORTH TRAIL	LEE COUNTY RV SALES CO	5270 ORANGE RIVER BLVD	FORT MYERS	FL	33905-2750	HARDY JOHN S	35236 NANCY ROAD	CALLAHAN	FL	32011	
160888	1F66F5DY5D0A07122	2013	CS	CA	3920	F	3/11/2013	3/19/2013	CRAIN RV	CRAIN RV LLC	9801 I-30	CRAIN RV LLC	AR	72209-3305	WILEY LARRY	268 WILLY	JERUSALEM	AR	72080	
160889	1F66F5DY4D0A07631	2013	CS	CA	3610	F	3/13/2013	3/21/2013	MOTOR SPORTSLAND	4001 S STATE ST		SALT LAKE CITY	UT	84107-1510	BILLINGS TODD	741 N 700 W	PROVO	UT	84601	
160890	1F66F5DY1D0A07280	2013	CS	CA	3610	F	3/7/2013	3/15/2013	DYLANDS	2190 DELSEA DR		SEWELL	NJ	08080-4238	MEINHART JAMES	149 BLACKMAN RD	EGG HARBOR TWP	NJ	8234	
160891	1F66F5DY7D0A07123	2013	CS	CA	3920	F	3/12/2013	3/19/2013	DYLANDS	2190 DELSEA DR		SEWELL	NJ	08080-4238						
160892	1F66F5DY6D0A07632	2013	CS	CA	3515	F	3/14/2013	3/21/2013	GUARANTY RV	20 HWY 99 SOUTH		JUNCTION CITY	OR	97448	ADAMS GERALD R	2320 E 10TH ST	THE DALLES	TX	97058	
160893	1F66F5DY0D0A07125	2013	CS	CA	3920	F	3/18/2013	3/26/2013	STEINBRING	7390 COUNTY ROAD 82		GARFIELD	MN	56332	SCHWANKE DAVID E	13633 275TH AVE	GREY EAGLE	MO	56336	
160894	1F66F5DY6D0A07887	2013	CS	CA	3610	F	3/19/2013	3/27/2013	FREEDOM	3735 E IRVINGTON RD		TUCSON	AZ	85714	WILLIS ROY D	411 N 6TH ST 368	EMERY	SD	57332	
160895	1F66F5DY1D0A07277	2013	CS	CA	3515	F	3/5/2013	3/13/2013	SKY RIVER	SKY RIVER INC	2525 THEATRE DR	PASO ROBLES	CA	93446-9606	WHEELER JEFFREY A	5924 WEST MARBE AVE	VISAJUA	CA	93290	
160896	1F66F5DYXDOA07889	2013	CS	CA	3610	F	4/11/2013	4/19/2013	SKY RIVER	SKY RIVER INC	2525 THEATRE DR	PASO ROBLES	CA	93446-9606	PRICE JOAN C	10025 EL CAMINO REAL	ATASCADERO	CA	93422	
160897	1F66F5DY6D0A05346	2013	CS	CA	3610	F	2/25/2013	3/6/2013	SKY RIVER	6700 GOLDEN GATE DRIVE	SUITE B	DUBLIN	CA	94568-2910	FAUSTKA ZUZANA	20530 CROW CREEK RD	CASTRO VALLEY	CA	94552	
160898	1F66F5DY5D0A07895	2013	CS	CA	3515	F	3/14/2013	3/22/2013	SKY RIVER	6700 GOLDEN GATE DRIVE	SUITE B	DUBLIN	CA	94568-2910	SCHIMBERG FRANCIS	540 LAKEVIEW DR	BRENTWOOD	CA	94513	
160899	1F66F5DY8D0A07888	2013	CS	CA	3610	F	4/1/2013	4/9/2013	SKY RIVER	6700 GOLDEN GATE DRIVE	SUITE B	DUBLIN	CA	94568-2910	KURIE RALPH	1930 DOS RIOS (PO BOX 1192)	LAYTONVILLE	CA	95454	
160900	1F66F5DY5D0A07124	2013	CS	CA	3911	F	3/15/2013	3/25/2013	PROFESSIONAL SALES	1809 JOHN MCCAIN RD		COLLEVILLE	TX	76034-6371	SCHRAM CLARENCE J	2314 YOUNG RD	PLATTSMOUTH	NE	68048	
160901	1F66F5DYXDOA08122	2013	CS	CA	3953	F	4/2/2013	4/10/2013	AVALON	1604 MEDINA RD		MEDINA	OH	44256-8118	DRUSCHEL ALLAN R	2501 MOUNTAIN RD	PORTERSVILLE	PA	16051	
160902	1F66F5DY6D0A07128	2013	CS	CA	3911	F	3/28/2013	4/8/2013	MOUNT COMFORT	5935 W 225 N		GREENFIELD	IN	46140	MIGHT RICHARD C	730 N. SR 587	FOSTORIA	OH	44830	
160904	1F66F5DY2D0A07126	2013	CS	CA	3810	F	4/3/2013	4/11/2013	DAVES RV	SIMSO DAVID W	2 INDUSTRIAL PARK PLAZA	DANBURY	CT	06810	TORRESSON CAROL A	267 OSBORNE HILL ROAD	FISHKILL	NY	12524	
160905	1F66F5DY8D0A07129	2013	CS	CA	3920	F	4/4/2013	4/12/2013	ST LOUIS	GMT AUTO SALES INC	1080 W TERRA LN	O FALLON	MO	63366-2318	LANDEVILLE RANDY	630 ROCKLEDGE DR	JUNCTION CITY	KS	66441	
160906	1F66F5DYXDOA08363	2013	CS	CA	3920	F	4/8/2013	4/16/2013	BECKLEYS	BECKLEYS ENTERPRISES INC	11109 ANGLEBERGER RD	THURMONT	MD	21788	JACINTO DANIELLE E	10 ART AVENUE	CUMBERLAND	RI	2864	
160907	1F66F5DY7D0A09017	2013	CS	CA	3610	F	4/22/2013	4/30/2013	HOLLAND	251 TRAVELERS WAY		SAN MARCOS	CA	92069-2797	WOODS SCOTT M	1056 N. EVERETT ST	RIDGECREST	CA	93555	
160908	1F66F5DY0D0A08128	2013	CS	CA	3313	F	4/23/2013	4/30/2013	HOLLAND	251 TRAVELERS WAY		SAN MARCOS	CA	92069-2797	POLLOCK EDMUND M	PO BOX 125	JULIAN	CA	92036	
160910	1F66F5DY3D0A08706	2013	CS	CA	3911	F	5/2/2013	5/10/2013	BATES	BATES SHOW SALES STAFF INC	4656 MCINTOSH RD	DOVER	FL	33527-4132	MATTER GARY F	6341 TIDEWATER ISLE CIR	FT MYERS	FL	33908	
160911	1F66F5DY3D0A08124	2013	CS	CA	3920	F	4/5/2013	4/15/2013	ANSLEY	1280 ROUTE 764		DUNCANSVILLE	PA	16635	MEYER DENISE A	126 RIDGEWOOD DR	BEAVER FALLS	PA	15010	
160912	1F66F5DY9D0A08127	2013	CS	CA	3610	F	4/9/2013	4/16/2013	APACHE	1120 FORT CROOK RD S		BELLEVUE	NE	68005-2937	LEWIS RICHARD B	14108 C TREGARON RIDGE AVE	BELLEVUE	NE	68123	
160913	1F66F5DY5D0A08125	2013	CS	CA	3920	F	4/11/2013	4/19/2013	APACHE	1040 SALTILLO ROAD		ROCA	NE	68430-4075	YOUNG MARTHA	339 PAGEANT PK	BARTON	VT	5822	
160914	1F66F5DY1D0A08705	2013	CS	CA	3920	F	4/10/2013	4/17/2013	DYLANDS	2190 DELSEA DR		SEWELL	NJ	08080-4238	MARTELLO JOHN	30 MARSHALL DR	EGG HARBOR TWP	NJ	8234	
160915	1F66F5DY5D0A08707	2013	CS	CA	3920	F	5/2/2013	5/13/2013	PROFESSIONAL SALES	1809 JOHN MCCAIN RD		COLLEVILLE	TX	76034-6371	COX DANIEL	721 PENNISIUA BEND	DENTON	TX	76208	
160916	1F66F5DY4D0A07127	2013	CS	CA	3911	F	4/2/2013	4/10/2013	GORES DICK	14590 DUVAL PLACE WEST		JACKSONVILLE	FL	32218	NEIL SHIRLEY S	3305 WOODLANDS DR	LILLIAN	AL	36549	
160917	1F66F5DY1D0A08364	2013	CS	CA	3920	F	4/12/2013	4/22/2013	HOLIDAY WORLD OF HOUSTON	28909 KATY FREEWAY		KATY	TX	77494	THORNBROUGH SCOTT R	2000 E 42ND STREET STE C	ODESSA	TX	79762	
160918	1F66F5DYXDOA08704	2013	CS	CA	3911	F	5/1/2013													

160982	1F66F5DYX00A12459	2014	CS	CA	3920	F	7/31/2013	8/8/2013	TOM LINDSTROM	500 W LOS ANGELES AVE		MOORPARK	CA	93021	HAYDEL MICHAEL A	147 E. COUNTRY CLUB DR	BRENTWOOD	CA	94513
160983	1F66F5DY5D0A13003	2014	CS	CA	3920	F	7/31/2013	8/8/2013	TOM LINDSTROM	500 W LOS ANGELES AVE		MOORPARK	CA	93021	PIKE JEFF A	1927 CLARKIA ST	SIMI VALLEY	CA	93065
160986	1F66F5DY2D0A12455	2014	CS	CA	3610	F	7/17/2013	7/25/2013	TOM LINDSTROM	500 W LOS ANGELES AVE		MOORPARK	CA	93021	AQUINO MICHAEL A	1890 EDGECLIFF DR	FULLERTON	CA	92831
160987	1F66F5DY6D0A12460	2014	CS	CA	3610	F	7/26/2013	8/5/2013	TOM LINDSTROM	500 W LOS ANGELES AVE		MOORPARK	CA	93021	JACOBSON TIM	384 MESA VERDE PARK	BEAUMONT	CA	92223
160988	1F66F5DY7D0A13004	2014	CS	CA	3610	F	8/1/2013	8/9/2013	TOM LINDSTROM	500 W LOS ANGELES AVE		MOORPARK	CA	93021	BURK BRIAN	4195 CHINO HILLS PKWY APT 343	CHINO HILLS	CA	91709
160989	1F66F5DY9D0A09875	2014	CS	CA	3920	F	6/12/2013	6/20/2013	STEINBRING	7390 COUNTY ROAD 82	PO BOX 160	GARFIELD	MN	56332	LINGREN JEFFREY D	5991 CTRY RD 1 NW	PENNOCK	MN	56279
160990	1F66F5DY7D0A12094	2014	CS	CA	3920	F	7/10/2013	7/18/2013	MOTOR SPORTSLAND	4001 S STATE ST		SALT LAKE CITY	UT	84107-1510	*	4001 LEADEN LAKE		NJ	8054
160991	1F66F5DY5D0A09582	2014	CS	CA	3911	F	6/4/2013	6/13/2013	STEINBRING	7390 COUNTY ROAD 82	PO BOX 160	GARFIELD	MN	56332	LONGSTREET PHILLIP W	18831 E COOL BREEZE LN	MONTGOMERY	TX	77356
160993	1F66F5DY1D0A11006	2014	CS	CA	3424	F	7/25/2013	8/2/2013	GUARANTY RV	20 HWY 99 SOUTH	PO BOX 279	JUNCTION CITY	OR	97448	IRONS DONALD	6989 DEARDY RD	SUTHERLIN	OR	97479
160994	1F66F5DY6D0A12457	2014	CS	CA	3610	F	7/22/2013	7/30/2013	HOLIDAY WORLD OF HOUSTON	28909 KATY FREEWAY		KATY	TX	77494	LAGRAPPE PHILLIP P	6110 DUKETRAIL LN	SUGAR LAND	TX	77479
160995	1F66F5DY0D0A13006	2014	CS	CA	3920	F	8/1/2013	8/9/2013	FIFE	FIFE RV & AUTO CENTER INC	3520 PACIFIC HWY E	FIFE	WA	98424-1121					
160996	1F66F5DY8D0A12993	2014	CS	CA	3920	F	7/30/2013	8/7/2013	FIFE	FIFE RV & AUTO CENTER INC	3520 PACIFIC HWY E	FIFE	WA	98424-1121	WOMERSLEY MARCUS	16208 426TH WAY SE	NORTH BEND	WA	98045
160998	1F66F5DYX00A13000	2014	CS	CA	3920	F	7/31/2013	8/8/2013	INDEPENDENCE	& SERVICE INC	12705 WEST COLONIAL DR	WINTER GARDEN	FL	34787	STEELE JOHN R	13667 FOX TRAIL	LOXAHATCHEE	FL	34770
160999	1F66F5DY2D0A13007	2014	CS	CA	3920	F	8/9/2013	8/19/2013	INDEPENDENCE	& SERVICE INC	12705 WEST COLONIAL DR	WINTER GARDEN	FL	34787	QUIROGA MONICA M	1841 THOROUGHBREDD DRIVE	GOTHA	FL	34734
161000	1F66F5DY4D0A13011	2014	CS	CA	3920	F	8/22/2013	8/30/2013	HOLLAND	251 TRAVELERS WAY		SAN MARCOS	CA	92069-2797	KREI LESTER R	11209 42ND ST	CLEAR LAKE	MN	55319
161001	1F66F5DY1D0A10552	2014	CS	CA	3920	F	6/21/2013	7/9/2013	NORTH TRAIL	LEE COUNTY RV SALES CO	5270 ORANGE RIVER BLVD	FORT MYERS	FL	33905-2750	FAHRINGER THOMAS	1236 CARRIAGE PARK DR	VALRICO	FL	33594
161002	1F66F5DY0D0A09876	2014	CS	CA	3920	F	6/14/2013	6/24/2013	LEISURE TIME	4901 S ANDERSON RD		OKLAHOMA CITY	OK	73150-3804	GUALLS DAVID J	20301 PIN OAK COURT	TECUMSEH	OK	74873
161003	1F66F5DY1D0A11023	2014	CS	CA	3920	F	7/18/2013	7/29/2013	LEISURE TIME	4901 S ANDERSON RD		OKLAHOMA CITY	OK	73150-3804	GAGNON TRENT	770 N HIASSEVE	CHOCTAW	OK	73020
161004	1F66F5DY8D0A11021	2014	CS	CA	3920	F	7/12/2013	7/23/2013	DYLANDS	2190 DELSEA DR		SEWELL	NJ	08080-4238	ARCHER TINA S	40 TRACY DR	YORK SPRINGS	PA	17372
161005	1F66F5DY1D0A13001	2014	CS	CA	3920	F	7/30/2013	8/7/2013	DYLANDS	2190 DELSEA DR		SEWELL	NJ	08080-4238	PERELKA THOMAS	228 SMITHVILLE RD	NEW PROVIDENCE	PA	17560
161006	1F66F5DY5D0A10554	2014	CS	CA	3911	F	6/27/2013	7/15/2013	NORTH TRAIL	LEE COUNTY RV SALES CO	5270 ORANGE RIVER BLVD	FORT MYERS	FL	33905-2750	TEASLEY JOHN C	1259 SHELBURNE RD	LIVERMORE	CA	94551
161007	1F66F5DY9D0A12453	2014	CS	CA	3920	F	7/19/2013	7/29/2013	NORTH TRAIL	LEE COUNTY RV SALES CO	5270 ORANGE RIVER BLVD	FORT MYERS	FL	33905-2750	BYER LARRY J	754 NW EMERALD LAKES DRIVE	LAKE CITY	FL	32055
161008	1F66F5DY0D0A12454	2014	CS	CA	3920	F	7/24/2013	8/1/2013	NORTH TRAIL	LEE COUNTY RV SALES CO	5270 ORANGE RIVER BLVD	FORT MYERS	FL	33905-2750	O'BOYLE KATHLEEN M	3322 SE 16TH PL	CAPE CORAL	FL	33904
161009	1F66F5DY0D0A13796	2014	CS	CA	3610	F	8/29/2013	9/10/2013	TOM JOHNSON	CENTER CHARLOTTE INC	6700 BRUNTON SMITH BLVD	CONCORD	NC	28207-0120	BOZE LARRY J	6404 ROBINHEAD DR	ANDERSON	IN	46013
161010	1F66F5DY2D0A10866	2014	CS	CA	3911	F	6/24/2013	7/10/2013	WILKINS	7520 STATE ROUTE 415		BATH	NY	14810	SOUTHWICK LAWRENCE A	1794 CATON RD	CORNING	NY	14830
161011	1F66F5DY1D0A09580	2014	CS	CA	3610	F	7/12/2013	7/22/2013	FIFE	FIFE RV & AUTO CENTER INC	3520 PACIFIC HWY E	FIFE	WA	98424-1121	GIANOTTI JOSEPH	8331 MAJESTIC DR	ANCHORAGE	AK	99504
161012	1F66F5DY3D0A13002	2014	CS	CA	3920	F	7/29/2013	8/6/2013	HOLIDAY WORLD OF HOUSTON	28909 KATY FREEWAY		KATY	TX	77494	ROBERTSON LESLIE R	38119 MAYER RD #1	HEMPSTEAD	TX	77445
161013	1F66F5DY6D0A13009	2014	CS	CA	3911	F	8/20/2013	8/28/2013	TOM JOHNSON	1885 US 70 WEST		MARION	NC	28752-7455	KIRBY-SMITH EDMUND	2617 BELLEVILLE RIDGE RD	WINSTON-SALEM	NC	27106
161014	1F66F5DY8D0A12461	2014	CS	CA	3920	F	7/26/2013	8/5/2013	BUDDY GREGG	BGMH ACQUISITION LLC	11730 SNYDER RD	KNOXVILLE	TN	37932	WAGNER ROBERT	PO BOX 164	KENTON	OH	43326
161015	1F66F5DY4D0A13008	2014	CS	CA	3610	F	8/21/2013	8/30/2013	BUDDY GREGG	BGMH ACQUISITION LLC	11730 SNYDER RD	KNOXVILLE	TN	37932	WOOD DAVIS	3805 ROSEBUD ROAD	LOGANVILLE	GA	30052
161016	1F66F5DY1D0A14116	2014	CS	CA	3953	F	8/29/2013	9/9/2013	BUDDY GREGG	BGMH ACQUISITION LLC	11730 SNYDER RD	KNOXVILLE	TN	37932	MESSENGER KURT	921 MESSENGER RD	SPARTA	TN	38583
161017	1F66F5DY0D0A13507	2014	CS	CA	3920	F	8/27/2013	9/5/2013	BUDDY GREGG	BGMH ACQUISITION LLC	11730 SNYDER RD	KNOXVILLE	TN	37932	PRATT SHANNON	101 HAMILTON ST	JEFFERSON	PA	15344
161018	1F66F5DY9D0A12095	2014	CS	CA	3920	F	7/23/2013	7/31/2013	BUDDY GREGG	BGMH ACQUISITION LLC	11730 SNYDER RD	KNOXVILLE	TN	37932	JORDAN MICHELLE	1799 FISHERVILLE RD	FINCHVILLE	KY	40022
161019	1F66F5DY8E0A00098	2014	CS	CA	3610	F	9/6/2013	9/16/2013	ANCIRA	30500 IH-10 WEST		BOERNE	TX	78006	JOHNSON RICHARD	4927 TEMPE RD	DOWELL	OH	43065
161020	1F66F5DY4D0A13509	2014	CS	CA	3920	F	8/28/2013	9/6/2013	ANCIRA	30500 IH-10 WEST		BOERNE	TX	78006	CENTER WILLIAM M	325 TUTTLE RD	SAN ANTONIO	TX	78006
161021	1F66F5DY7D0A10555	2014	CS	CA	3920	F	7/8/2013	7/16/2013	PROFESSIONAL SALES	1809 JOHN MCCAIN RD	PO BOX 1018	COLLEVILLE	TX	76034-6371	SHORT STEVE	5860 S. LAKESHORE #5	SHREVEPORT	LA	71119
161022	1F66F5DYX00A12462	2014	CS	CA	3920	F	7/26/2013	8/5/2013	A & S RV	2375 OPDYKE RD		AUBURN HILLS	MI	48326	BILLERBECK JOHN G	16908 HOSKINSON RD	POOLESVILLE	MD	20837
161023	1F66F5DY2D0A13797	2014	CS	CA	3610	F	9/4/2013	9/12/2013	A & S RV	2375 OPDYKE RD		AUBURN HILLS	MI	48326	CURIO RENALDO	22576 SILVER CREEK DR	WOODHAVEN	MI	48183
161024	1F66F5DY9D0A13506	2014	CS	CA	3940	F	8/19/2013	8/28/2013	A & S RV	2375 OPDYKE RD		AUBURN HILLS	MI	48326	BERGMAN STANLEY	3480 GREEN ACRES LN	PINCINKEY	MI	48169
161025	1F66F5DY4D0A13798	2014	CS	CA	3610	F	9/3/2013	9/11/2013	APACHE	1120 FORT CROOK RD S		BELLEVUE	NE	68005-2937	CARTER JEFFREY	15172 214TH ST	COUNCIL BLUFFS	IA	51563
161030	1F66F5DY5E0A02584	2014	CS	CA	3920	F	10/30/2013	11/7/2013	TOM JOHNSON	1885 US 70 WEST		MARION	NC	28752-7455	HINES JEFFREY S	1486 COOPERS GAP RD	RUTHERFORDTON	NC	28139
161031	1F66F5DY7E0A01534	2014	CS	CA	3610	F	10/8/2013	10/16/2013	MIDWAY	5590 S DIVISION AVE		GRAND RAPIDS	MI	49548	SIMINGTON FRANK	1177 RUSTIC HILL DR	UNION CITY	MI	49094
161032	1F66F5DY7E0A00092	2014	CS	CA	3920	F	9/18/2013	9/27/2013	GUARANTY RV	20 HWY 99 SOUTH	PO BOX 279	JUNCTION CITY	OR	97448	WEBBER GENE	643 PALACE PARKWAY	SPRING CREEK	NV	89815
161033	1F66F5DY4E0A00499	2014	CS	CA	3920	F	9/24/2013	10/3/2013	GUARANTY RV	20 HWY 99 SOUTH	PO BOX 279	JUNCTION CITY	OR	97448	MARTINEZ FRANK A	46988 HWY 101	BANDON	OR	97411
161034	1F66F5DY6E0A01198	2014	CS	CA	3920	F	9/19/2013	9/30/2013	FREEDOM	3735 E IRVINGTON RD		TUCSON	AZ	85714	LARSON JANICE	2954 CRESTWOOD LANE	GRAND MARSH	OH	53936
161035	1F66F5DY6E0A02216	2014	CS	CA	3920	F	10/29/2013	11/6/2013	DESERT AUTOPLEX	KORGES ENTERPRISES INC	3335 E MAIN ST	MESA	AZ	85213-8607	MULLIGAN JOHN W	5701 E CACTUS DR	SCOTTSDALE	AZ	85254
161036	1F66F5DYX00A14115	2014	CS	CA	3920	F	9/9/2013	9/18/2013	AVALON	1604 MEDINA RD		MEDINA	OH	44256-8118	MCGIVERN DANIEL J	6472 SOUTH RIM CIR	VALLEY CITY	OH	44280
161037	1F66F5DY0D0A13510	2014	CS	CA	3940	F	8/26/2013	9/4/2013	AVALON	1604 MEDINA RD		MEDINA	OH	44256-8118	RICHARDS GUY	3841 FALCON RIDGE DR	MEDINA	OH	44256
161040	1F66F5DY2E0A00100	2014	CS	CA	3610	F	9/17/2013	9/26/2013	DYLANDS	2190 DELSEA DR		SEWELL	NJ	08080-4238	WALLERICH BERNARD	4824 LEEDS CT	CENTER VALLEY	PA	18034
161042	1F66F5DY9E0A00496	2014	CS	CA	3956	F	9/19/2013	9/27/2013	GORES DICK	14590 DUVAL PLACE WEST	PO BOX 160	JACKSONVILLE	FL	32218	ZAMPOGNA JUDY M	75A CROMBIE COURT	HIGHLAND	IL	62249
161043	1F66F5DY5E0A00091	2014	CS	CA	3911	F	9/16/2013	9/24/2013	STEINBRING	7390 COUNTY ROAD 82	PO BOX 160	GARFIELD	MN	56332	SEDMAK CHARLES N	522 GLENMORRE RD	CANYON CITY	CO	81212
161044	1F66F5DY4E0A00101	2014	CS	CA	3610	F	10/1/2013	10/9/2013	TRANSWEST CO	TRANSWEST FREIGHTLINER LLC	7550 E I25 FRONTAGE RD	FREDERICK	CO	80516-9403	ROBERTSON LONNIE	2295 S DEFRAME CT	DENVER	CO	80228
161045	1F66F5DY7E0A00500	2014	CS	CA	3920	F	9/25/2013	10/3/2013	TRANSWEST CO	TRANSWEST FREIGHTLINER LLC	7550 E I25 FRONTAGE RD	FREDERICK	CO	80516-9403	BECHER ANDREW	6234 BUFFALO RUN	ROXBOROUGH	CO	80125
161046	1F66F5DY9D0A12470	2014	CS	CA	3424	F	10/8/2013	10/17/2013	TRANSWEST CO	TRANSWEST FREIGHTLINER LLC	7550 E I25 FRONTAGE RD	FREDERICK	CO	80516-9403	SHUCARD HAL D	6403 W GOULD DR	LITTLETON	CO	80123
161047	1F66F5DY9D0A10556	2014	CS	CA	3911	F	8/2/2013	8/12/2013	WILKINS	7520 STATE ROUTE 415		BATH	NY	14810	INC *	1735 TITUS RD	SPRINGFIELD	OH	45502
161048	1F66F5DY9D0A13005	2014	CS	CA	3940	F	8/5/2013	8/13/2013	WILKINS	7520 STATE ROUTE 415		BATH	NY	14810	FIALKOWSKI EDWARD R	25 PHEASANT LANE	CHEETOWAGA	NY	14277
161049	1F66F5DY7E0A03252	2014	CS	CA	3940	F	11/7/2013	11/15/2013	TOM JOHNSON	1885 US 70 WEST		MARION	NC	28752-7455	ENLOE MACK	618 PILOT MTN RD	HENDERSONVILLE	NC	28929
161050	1F66F5DY2D0A13508	2014	CS	CA	3920	F	8/23/2013	9/4/2013	BECKLEYS	BECKLEYS ENTERPRISES INC	11109 ANGLEBERGER RD	THURMONT	MD	21788	DE GASPERI CHARLES J	595 AMANDA DRIVE	LITTLESTOWN	PA	17340
161051	1F66F5DY0E0A00497	2014	CS	CA	3956	F	9/13/2013	9/23/2013	NATIONAL INDOOR GA	NATIONAL INDOOR RV CENTERS LLC	4405 PAXTON LN SW	LILBURN	GA	30047-8422	MYERS JOHN V	257 PUITT COVE CIR	MARBLE	NC	28905
161054	1F66F5DY0E0A03237	2014	CS	CA	3610	F	12/4/2013	12/12/2013	NATIONAL INDOOR GA	NATIONAL INDOOR RV CENTERS LLC	4405 PAXTON LN SW	LILBURN	GA	30047-8422	JOHNSON ROBERT D	7011 LICKING TRL RD.	NEWARK	OH	43056
161056	1F66F5DY6D0A13012	2014	CS	CA	3920	F	8												

161199	1F66F5DY4E0A05346	2014	CS	CA	3920	F	2/14/2014	2/24/2014	FREEDOM	3735 E IRVINGTON RD	TUCSON	AZ	85714	BLACK KEVIN D	PO BOX 756	COTTAGE GROVE	OR	97424
161200	1F66F5DY6E0A05753	2014	CS	CA	3610	F	3/13/2014	3/24/2014	MIDWAY	5590 S DIVISION AVE	GRAND RAPIDS	MI	49548	GRUBAUGH NANCY W	4925 RIDGECREST RD	WILLIAMSBURG	MI	49690
161201	1F66F5DY2E0A05345	2014	CS	CA	3650	F	2/13/2014	2/21/2014	LEISURE TIME	4901 S ANDERSON RD	OKLAHOMA CITY	OK	73150-3804					
161202	1F66F5DY1E0A05739	2014	CS	CA	3921	F	3/6/2014	3/17/2014	LEISURE TIME	4901 S ANDERSON RD	OKLAHOMA CITY	OK	73150-3804					
161203	1F66F5DY0E0A05733	2014	CS	CA	3953	F	2/27/2014	3/7/2014	LEISURE TIME	4901 S ANDERSON RD	OKLAHOMA CITY	OK	73150-3804	HOBBSON TERRY L	22432 STATE HWY 74	PURCELL	OK	73080
161204	1F66F5DY0E0A05344	2014	CS	CA	3921	F	2/4/2014	2/12/2014	NEWMAR	355 N DELAWARE ST	NAPPANEE	IN	46550	LACOMBE MICHEL	305 MAIN STREET SOUTH	ALEXANDRIA	ON	K0E 1A0
161205	1F66F5DY7E0A05356	2014	CS	CA	3920	F	2/21/2014	3/3/2014	ANCIRA	30500 IH-10 WEST	BOERNE	TX	78006	WILDER MARK F	951 HILDER OAKS DR	BULVERDE	ON	78163
161207	1F66F5DY9E0A05357	2014	CS	CA	3921	F	2/24/2014	3/4/2014	GORES DICK	14590 DUVAL PLACE WEST	JACKSONVILLE	FL	32218	LINDSKOG LARS	443 ESSEN LN	BALLWIN	MO	63021
161208	1F66F5DY6E0A05350	2014	CS	CA	3956	F	2/14/2014	2/25/2014	BECKLEYS	BECKLEYS ENTERPRISES INC	THURMONT	MD	21788	DILKS FREDA L	44 BLUE MOUNTAIN VISTA	MECHANICSBURG	PA	17055
161209	1F66F5DY4E0A05007	2014	CS	CA	3610	F	3/3/2014	3/13/2014	GARICK	GARICK ENTERPRISES INC	OAK RIDGE	NJ	07438	MADEWELL THOMAS	176 STATESVILLE QUARRY RD	LAFAYETTE	NJ	7848
161210	1F66F5DY8E0A05348	2014	CS	CA	3921	F	2/17/2014	2/25/2014	GARICK	GARICK ENTERPRISES INC	OAK RIDGE	NJ	07438	SOLDANO CHERYL S	38 ROCKPORT RD	WANTAGE	NJ	7461
161211	1F66F5DY9E0A05732	2014	CS	CA	3921	F	2/26/2014	3/6/2014	TOM JOHNSON	CENTER CHARLOTTE INC	CONCORD	NC	28027-0120	WENNEMAN THOMAS	1666 SANRIDGE WIND LN	CHARLOTTE	NC	28262
161213	1F66F5DY6E0A05736	2014	CS	CA	3610	F	3/4/2014	3/14/2014	APACHE	1040 SALLITO ROAD	ROCA	NE	68430-4075					
161214	1F66F5DYXE0A05738	2014	CS	CA	3953	F	3/5/2014	3/14/2014	TOM JOHNSON	1885 US 70 WEST	MARION	NC	28752-7455					
161215	1F66F5DY9E0A05746	2014	CS	CA	3911	F	3/20/2014	3/28/2014	WILKINS	7520 STATE ROUTE 415	BATH	NY	14810	RAFFERTY DONALD	228 SEA ST	WEYMOUTH	MA	2191
161216	1F66F5DY8E0A06452	2014	CS	CA	3956	F	3/25/2014	4/2/2014	TAMPA	RV ONE SUPERSTORES INC	DOVER	FL	33257-4132	ALLEN CAROLYN	590 MAPLETON ROAD	CANAJOHARIE	NY	13317
161217	1F66F5DY6E0A06465	2014	CS	CA	3610	F	3/26/2014	4/4/2014	ALBANY	RV ONE SUPERSTORES INC	ALBANY	NY	12205-3401	FUCCI FRANK	5715 HWY 85 NORTH #1026	CRESTVIEW	FL	32536
161218	1F66F5DY8E0A05740	2014	CS	CA	3956	F	3/6/2014	3/17/2014	ALBANY	RV ONE SUPERSTORES INC	ALBANY	NY	12205-3401	BENKENBERGER MARK	272 RABBIT RD	GREENWICH	NY	12834
161219	1F66F5DY9E0A04595	2014	CS	CA	3610	F	2/6/2014	2/17/2014	TAMPA	RV ONE SUPERSTORES INC	DOVER	FL	33527-4132	ELLRICH MARY	6444 PAW PLACE	LAND O LAKES	FL	34639
161220	1F66F5DY8E0A05351	2015	CS	CA	3914	F	2/18/2014	2/26/2014	TOM JOHNSON	1885 US 70 WEST	MARION	NC	28752-7455	DANZ CLIFFORD G	57 SUNSET LN LOT 244	FRANKLIN	NC	28734
161221	1F66F5DY3E0A05001	2014	CS	CA	3424	F	2/11/2014	2/20/2014	GUARANTY RV	20 HWY 99 SOUTH	JUNCTION CITY	OR	97448	PITTFIELD DAVID	174 RAINBOW DRIVE #7483	LIVINGSTON	TX	77399-1074
161222	1F66F5DY4E0A06450	2014	CS	CA	3921	F	3/26/2014	4/3/2014	INDEPENDENCE	& SERVICE INC	WINTER GARDEN	FL	34787	GORDON THOMAS	7123 TICKLEGRASS ST	WINTER GARDEN	FL	34787
161223	1F66F5DY2E0A05748	2014	CS	CA	3921	F	3/17/2014	3/25/2014	INDEPENDENCE	& SERVICE INC	WINTER GARDEN	FL	34787	YOUNG STEVEN R	6047 FEATHER LN	SANFORD	FL	32771
161224	1F66F5DY8E0A06449	2014	CS	CA	3920	F	3/27/2014	4/7/2014	INDEPENDENCE	& SERVICE INC	WINTER GARDEN	FL	34787	ROSWELL RONALD L	573 WIPPOORWILL TRL	WEST PALM BEACH	FL	33411
161225	1F66F5DY3E0A06455	2014	CS	CA	3921	F	3/31/2014	4/8/2014	CHESAPEAKE	3360 BATTLEFIELD BLVD S	CHESAPEAKE	VA	23322-2313	MEYER KENNETH	102 HILLPOINT RD	SUFFOLK	VA	23434
161226	1F66F5DY4E0A05749	2014	CS	CA	3956	F	3/21/2014	3/31/2014	SOUTHAVEN	5485 PEPPER CHASE DR	SOUTHAVEN	MS	38671	MOORE GREGORY	2330 DEMARET DR	GULFPORT	MS	39507
161227	1F66F5DY0E0A05747	2014	CS	CA	3921	F	3/18/2014	3/26/2014	SOUTHAVEN	5485 PEPPER CHASE DR	SOUTHAVEN	MS	38671	WILLIAMSON LOUANN	9610 JACK BOND RD	LAKELAND	TN	38002
161228	1F66F5DY1E0A06454	2014	CS	CA	3911	F	4/1/2014	4/9/2014	AVALON	1604 MEDINA RD	MEDINA	OH	44256-8118	MALONE RICHARD K	5592 ALCORN AVE	LOUISVILLE	OH	44641
161229	1F66F5DY5E0A06456	2014	CS	CA	3921	F	4/3/2014	4/11/2014	BECKLEYS	BECKLEYS ENTERPRISES INC	THURMONT	MD	21788	WISNER JOHN A	2857 GLEN HOLLOW DRIVE	YORK	PA	17406
161230	1F66F5DY4E0A06464	2014	CS	CA	3424	F	3/28/2014	4/7/2014	ANSLEY	1280 ROUTE 764	DUNCANVILLE	PA	16635	FALLER RICHARD A	312 CHURCHILL RD	PITTSBURGH	PA	15235
161231	1F66F5DY8E0A06466	2014	CS	CA	3610	F	4/1/2014	4/10/2014	ANSLEY	1280 ROUTE 764	DUNCANVILLE	PA	16635	PHILLIPS BARRY	191 HOWARD DRIVE	SUMMERSET	PA	15501
161233	1F66F5DYXE0A05755	2014	CS	CA	3424	F	3/27/2014	4/4/2014	ANSLEY	1280 ROUTE 764	DUNCANVILLE	PA	16635	OGURCHAR ROBERT E	222 KENNEN DRIVE	GREENSBURG	PA	15601
161234	1F66F5DY6E0A06451	2014	CS	CA	3921	F	3/27/2014	4/4/2014	ANSLEY	1280 ROUTE 764	DUNCANVILLE	PA	16635	WILSON MICHAEL D	952 JEFFERSON RD	WAYNESBURG	PA	15370
161235	1F66F5DY0E0A05750	2014	CS	CA	3920	F	3/24/2014	4/1/2014	NATIONAL INDOOR TX	NATIONAL INDOOR STORAGE I LLC	LEWISVILLE	TX	75057-4733	MCCULLOUGH JANATHA	907 HILLSIDE CIRCLE	JUSTIN	TX	76247
161236	1F66F5DYXE0A06467	2014	CS	CA	3610	F	4/2/2014	4/10/2014	BECKLEYS	BECKLEYS ENTERPRISES INC	THURMONT	MD	21788	BRASWELL BRENDA	133 SUNSET AVE	WILLIAMSPORT	MD	24795
161237	1F66F5DY8E0A10288	2014	CS	CA	3424	F	4/4/2014	4/14/2014	BECKLEYS	BECKLEYS ENTERPRISES INC	THURMONT	MD	21788	JOHNSON KENNETH G	4988 FOXVILLE DR	SABILLASVILLE	MD	21780
161238	1F66F5DY6E0A10287	2014	CS	CA	3610	F	4/9/2014	4/17/2014	DYLAN	2190 DELSEA DR	SEWELL	NJ	08080-4238	WILLIAMS BARBARA F	423 CAVIAR DR	FORT WALTON BEACH	FL	32548
161239	1F66F5DYXE0A06453	2015	CS	CA	3913	F	3/24/2014	4/1/2014	TOM JOHNSON	CENTER CHARLOTTE INC	CONCORD	NC	28027-0120	RIEDHAMMEK CHARLES	19272 OLD JONESBORO RD	ABINGDON	VA	24211
161240	1F66F5DY1E0A11072	2014	CS	CA	3610	F	4/23/2014	5/2/2014	BUDDY GREGG	BGMH ACQUISITION LLC	KNOXVILLE	TN	37932	MATTON MIKE	67 ANSELM CIRCLE	CROSSVILLE	TN	38555
161241	1F66F5DY3E0A06990	2014	CS	CA	3921	F	4/23/2014	5/1/2014	BUDDY GREGG	BGMH ACQUISITION LLC	KNOXVILLE	TN	37932	HAIG THOMAS	8019 CORYTON LUTTRELL RD	CORYTON	TN	37721
161242	1F66F5DYXE0A10289	2014	CS	CA	3610	F	4/3/2014	4/14/2014	DYLAN	2190 DELSEA DR	SEWELL	NJ	08080-4238	CAPONE STINA A	125 E. ARBOR AVE	VINELAND	NJ	8360
161243	1F66F5DYXE0A05741	2014	CS	CA	3910	F	3/7/2014	3/18/2014	NORTH TRAIL	LEE COUNTY RV SALES CO	FORT MYERS	FL	33905-2750					
161244	1F66F5DY2E0A06463	2014	CS	CA	3921	F	4/11/2014	4/23/2014	GUARANTY RV	20 HWY 99 SOUTH	JUNCTION CITY	OR	97448	GARVIN DANA	PO BOX 3406 - 3233 OLD STAGE RD	CENTRAL POINT	OR	97502
161245	1F66F5DY5E0A09289	2014	CS	CA	3610	F	4/4/2014	4/14/2014	ST LOUIS	GMT AUTO SALES INC	O FALLON	MO	63366-2318	BECK NANCY J	1412 VERN DRIVE	WENTZVILLE	MO	63385
161247	1F66F5DY8E0A10730	2014	CS	CA	3610	F	4/10/2014	4/22/2014	ANCIRA	30500 IH-10 WEST	BOERNE	TX	78006	JAHNS RHONDA K	20811 GLEN COVE	GARDEN RIDGE	TX	78266
161248	1F66F5DY1E0A06986	2014	CS	CA	3650	F	4/16/2014	4/29/2014	STEINBRING	7390 COUNTY ROAD 82	GARFIELD	MN	56332	JANSEN WILLIAM	136 EAST LIGHTSVILLE ROAD	LEAF RIVER	IL	61047
161250	1F66F5DY0E0A06459	2014	CS	CA	3920	F	4/10/2014	4/22/2014	MOUNT COMFORT	5935 W 225 N	GREENFIELD	IN	46140	COUCH BILLY	6812 N 300TH ST	CASEY	IL	62420
161251	1F66F5DY8E0A06984	2014	CS	CA	3921	F	4/7/2014	4/16/2014	DYLAN	2190 DELSEA DR	SEWELL	NJ	08080-4238	TORELLI ANTHONY	70 OVERLOOK TERRACE	NUTLEY	NJ	7170
161252	1F66F5DY7E0A06460	2014	CS	CA	3920	F	4/8/2014	4/16/2014	DYLAN	2190 DELSEA DR	SEWELL	NJ	08080-4238	BETTS PHILLIP	3184 VIMEL RD	VINELAND	NJ	8360
161253	1F66F5DY7E0A06989	2014	CS	CA	3650	F	4/24/2014	5/2/2014	DIAMOND	188 WEST ST	WEST HATFIELD	MA	01088-9524	GLOVER MARGARET	120 NEWTON RD	PLAISTOW	NH	3865
161254	1F66F5DY3E0A06987	2014	CS	CA	3911	F	4/16/2014	4/28/2014	BECKLEYS	BECKLEYS ENTERPRISES INC	THURMONT	MD	21788	RUPPENTHAL MARGARET A	571 GREAT COVE RD	WARFORDSBURG	PA	17267
161255	1F66F5DY3E0A08223	2014	CS	CA	3921	F	4/25/2014	5/6/2014	NORTH TRAIL	LEE COUNTY RV SALES CO	FORT MYERS	FL	33905-2750	KELLY GERALDINE C	1598 RANCH RD	NOKOMIS	FL	34275
161256	1F66F5DY9E0A06458	2014	CS	CA	3910	F	4/8/2014	4/16/2014	NATIONAL INDOOR TX	NATIONAL INDOOR STORAGE I LLC	LEWISVILLE	TX	75057-4733	LANE BRENDA	4107 WOODRIDGE CIRCLE	EULESS	TX	76040
161257	1F66F5DYXE0A11071	2014	CS	CA	3610	F	4/17/2014	4/29/2014	NATIONAL INDOOR TX	NATIONAL INDOOR STORAGE I LLC	LEWISVILLE	TX	75057-4733	BURKE GREGG	5700 PEPPER RIDGE DR	RICHARDSON	TX	75082
161258	1F66F5DYXE0A06985	2014	CS	CA	3953	F	4/11/2014	4/23/2014	DIAMOND	188 WEST ST	WEST HATFIELD	MA	01088-9524	BREMNER KENNETH J	119 W MINOT RD	MINOT	ME	4258
161259	1F66F5DY5E0A06991	2014	CS	CA	3921	F	4/24/2014	5/5/2014	BECKLEYS	BECKLEYS ENTERPRISES INC	THURMONT	MD	21788	WORTH JAMES D	12479 CROCKET LAKE	WOODBRIIDGE	VA	22192
161260	1F66F5DY7E0A06992	2014	CS	CA	3921	F	4/22/2014	4/30/2014	HOLIDAY WORLD OF KATY	28909 KATY FREEWAY	KATY	TX	77494	KENT DAVID D	11100 CLOVERLEAF DR	DENHAM SPRINGS	LA	70706
161261	1F66F5DY9E0A06993	2014	CS	CA	3953	F	4/17/2014	4/30/2014	INDEPENDENCE	& SERVICE INC	WINTER GARDEN	FL	34787	MARTIN DONALD E	203 ORIOLE LANE	PADUCAH	KY	42001
161262	1F66F5DY7E0A07267	2014	CS	CA	3953	F	4/22/2014	5/1/2014	FREEDOM	3735 E IRVINGTON RD	TUCSON	AZ	85714	WATERMAN AL	2925 VALE VISTA	LAS CRUCES	NM	88011
161263	1F66F5DY5E0A08224	2014	CS	CA	3921	F	4/29/2014	5/8/2014	BUDDY GREGG	BGMH ACQUISITION LLC	KNOXVILLE	TN	37932	TRUMPORE PAUL	908 KIMBERLYN HEIGHTS RD	KNOXVILLE	TN	37920
161264	1F66F5DY7E0A08225	2014	CS	CA	3953	F	5/1/2014	5/9/2014	BUDDY GREGG	BGMH ACQUISITION LLC	KNOXVILLE	TN	37932	WILLIAMS ROBERT	1 HUMMINGBIRD LANE	TORNADO	WV	25202
161265	1F66F5DY9E0A08226	2014	CS	CA	3953	F	4/30/2014	5/8/2014	BUDDY GREGG	BGMH ACQUISITION LLC	KNOXVILLE	TN	37932	CARTER CHRIS	4220 US 4	MASON	OH	45040
161266	1F66F5DY2E0A08228	2014	CS	CA	3920	F	5/2/2014	5/12/2014	ST LOUIS	GMT AUTO SALES INC	O FALLON	MO	63366-2318	SHERMAN-ABRAMS FRAN R	2141 CHERRYCOVE CT	MARYLAND HEIGHTS	MO	63043
161267	1F66F5DY4E0A08229	2014	CS	CA	3920	F	5/6/2014	5/14/2014	SKY RIVER	SKY RIVER INC	PASO ROBLES	CA	93446-9606	ZSCH				

161299	1F66F5D7E0A12162	2015	CS	CA	3610	F	6/24/2014	7/10/2014	GORES DICK	14590 DUVAL PLACE WEST	JACKSONVILLE	FL	32218	CAMPBELL GERALD E	1764 REDWOOD LN	MIDDLEBURG	FL	32068
161300	1F66F5D7XE0A11054	2015	CS	CA	3913	F	7/8/2014	7/16/2014	GORES DICK	14590 DUVAL PLACE WEST	JACKSONVILLE	FL	32218	LAWRENCE WILLIAM E	310 BOWEN ST	ST MARYS	GA	31558
161301	1F66F5D73E0A12837	2015	CS	CA	3610	F	9/2/2014	9/10/2014	TOM JOHNSON	1885 US 70 WEST	MARION	NC	28752-7455					
161302	1F66F5D75E0A11429	2015	CS	CA	3953	F	7/22/2014	7/30/2014	TOM JOHNSON	1885 US 70 WEST	MARION	NC	28752-7455	DEZERN DALLAS R	1097 OLD HWY 21	STATE ROAD	NC	28676
161303	1F66F5D75E0A11432	2015	CS	CA	3921	F	7/25/2014	8/4/2014	TOM JOHNSON	1885 US 70 WEST	MARION	NC	28752-7455	JOHNSON JAM M	2124 BROOKWOOD RD	CHARLOTTE	NC	28211
161304	1F66F5D75E0A11768	2015	CS	CA	3953	F	8/8/2014	8/19/2014	NATIONAL INDOOR GA	NATIONAL INDOOR RV CENTERS LLC	LILBURN	GA	30047-8422	WADE RAY T	100 MISTY WAY	EATONTON	GA	31024
161305	1F66F5D75E0A12173	2015	CS	CA	3610	F	7/21/2014	7/29/2014	NATIONAL INDOOR TX	NATIONAL INDOOR STORAGE I LLC	LEWISVILLE	TX	75057-4733	GORDON ROGER J	813 COLUMBUS ST	AUSTIN	TX	78704
161306	1F66F5D73E0A12840	2015	CS	CA	3612	F	9/4/2014	9/15/2014	HOLLAND	251 TRAVELERS WAY	SAN MARCOS	CA	92069-2797	SCHUEHRMANN ERROR	426 E RAINIER AVE	ORANGE	CA	92865
161307	1F66F5D7XE0A12544	2015	CS	CA	3914	F	8/25/2014	9/4/2014	HOLLAND	251 TRAVELERS WAY	SAN MARCOS	CA	92069-2797	PICKTHORN DELENIA	1678 FALCON LANE	HEBER	AZ	85928
161308	1F66F5D79E0A11434	2015	CS	CA	3953	F	8/4/2014	8/13/2014	HOLLAND	251 TRAVELERS WAY	SAN MARCOS	CA	92069-2797	RICE KEITH	47240 MORONGO RD	BANNING	CA	92220
161309	1F66F5D78E0A13692	2015	CS	CA	3610	F	10/24/2014	11/3/2014	HOLLAND	1608 INDUSTRIAL RD	SAN MARCOS	CA	92069-2797	MILLER RANDALL K	925 EVERT CT	PASO ROBLES	CA	93446
161310	1F66F5D75E0A12838	2015	CS	CA	3612	F	9/8/2014	9/16/2014	BISH	1608 INDUSTRIAL RD	NAMPA	ID	83687-6711	TILTON DENNIS C	3000 CYPRESS RD	DOVER	PA	17415
161312	1F66F5D74E0A14659	2015	CS	CA	3920	F	9/12/2014	9/22/2014	DESERT AUTOPLEX	KORGES ENTERPRISES INC	MESA	AZ	85213-9113	ADAMS CAMILLE	20 PARKVIEW AVE	RED DEER	AB	17311
161313	1F66F5D75E0A15850	2015	CS	CA	3920	F	10/28/2014	11/5/2014	DESERT AUTOPLEX	KORGES ENTERPRISES INC	MESA	AZ	85213-9113	FRY RANDEE	457 RAVEN WAY	MESQUITE	NV	89027
161314	1F66F5D75E0A11057	2015	CS	CA	3921	F	7/11/2014	7/21/2014	TOM LINDSTROM	500 W LOS ANGELES AVE	MOORPARK	CA	93021	NORTH MATT	2684 LACY ST #221	LOS ANGELES	CA	90031
161315	1F66F5D72E0A12165	2015	CS	CA	3610	F	7/15/2014	7/23/2014	TRANSWEST MO	17327 S OUTER RD	BELTON	MO	64012	HACHINSKI REBECCA	192 KE JO POINT ROAD	GRAVOIS MILLS	MO	65037
161316	1F66F5D79E0A11059	2015	CS	CA	3953	F	7/16/2014	7/25/2014	TRANSWEST MO	17327 S OUTER RD	BELTON	MO	64012	HAYNES MICHAEL	PO BOX 6361	DIAMOND HEAD	MS	39525
161317	1F66F5D77E0A11061	2015	CS	CA	3921	F	7/18/2014	7/28/2014	TRANSWEST MO	17327 S OUTER RD	BELTON	MO	64012	WRIGHT KENNETH	4130 SW SCHERRER RD.	LEES SUMMIT	MO	64082
161320	1F66F5D73E0A11431	2015	CS	CA	3914	F	7/31/2014	8/11/2014	BUDDY GREGG	BGMH ACQUISITION LLC	KNOXVILLE	TN	37932	BRUNSWICK STEVEN	3650 PEPPER LANE	COSBY	TN	37722
161321	1F66F5D78E0A12543	2015	CS	CA	3920	F	8/15/2014	8/26/2014	BUDDY GREGG	BGMH ACQUISITION LLC	KNOXVILLE	TN	37932	DITMER STEVE	275 MILL LN	JACKSBORO	TN	37757
161322	1F66F5D75E0A12175	2015	CS	CA	3610	F	8/11/2014	8/20/2014	BUDDY GREGG	BGMH ACQUISITION LLC	KNOXVILLE	TN	37932	SETZER KEITH	002 BARRINGTON DR NE	LENOIR	NC	28645
161324	1F66F5D77E0A11433	2015	CS	CA	3914	F	8/5/2014	8/14/2014	SOUTHAVEN	5485 PEPPER CHASE DR	SOUTHAVEN	MS	38671	SMITH PATRICIA L	30 S SUNSET STREET	FAIR GROVE	MO	65648
161325	1F66F5D73E0A15513	2015	CS	CA	3914	F	10/15/2014	10/23/2014	FREEDOM	3735 E IRVINGTON RD	TUCSON	AZ	85714	SCHROEDER JOHN P	1612 MULBERRY DR	LAKE VILLA	IL	60046
161326	1F66F5D78E0A13689	2015	CS	CA	3921	F	9/16/2014	9/24/2014	DYLAN S	2190 DELSEA DR	SEWELL	OH	00800-4238	GUCKELBERGER CARL	3121 W COULTER ST	PHILDELPHIA	PA	19129
161327	1F66F5D76E0A13688	2015	CS	CA	3913	F	9/18/2014	9/26/2014	AVALON	1604 MEDINA RD	MEDINA	OH	44256-8118					
161328	1F66F5D78E0A11053	2015	CS	CA	3921	F	7/11/2014	7/22/2014	GARICK	GARICK ENTERPRISES INC	OAK RIDGE	NJ	07438	ALLEN DAVID	361 WESCOTT ROAD	NORTH SCITUATE	RI	2857
161329	1F66F5D76E0A12542	2015	CS	CA	3919	F	8/19/2014	8/28/2014	ANSLEY	1280 ROUTE 239	DUNCANSVILLE	PA	16635	STANLEY RICHARD M	948 MCHELANER ROAD	PALM BEACH	FL	15042
161330	1F66F5D79E0A13197	2015	CS	CA	3612	F	9/4/2014	9/12/2014	ANSLEY	1280 ROUTE 239	DUNCANSVILLE	PA	16635	DOEBLER DENNIS	126 FOUR SEASONS ROAD	BOSWELL	PA	15531
161331	1F66F5D79E0A13198	2015	CS	CA	3612	F	8/27/2014	9/8/2014	MOTOR SPORTSLAND	4001 S STATE ST	LITTLEROCK	UT	84107-1510	JACKMAN DALE	2056 MONROE BLVD	OGDEN	UT	84401
161332	1F66F5D73E0A12174	2015	CS	CA	3610	F	8/1/2014	8/11/2014	BECKLEYS	BECKLEYS ENTERPRISES INC	THURMONT	MD	21788	HALL DARLENE K	PO BOX 1590	BRAZIL	IN	47834
161333	1F66F5D77E0A14655	2015	CS	CA	3911	F	8/28/2014	9/9/2014	ANCIRA	30500 IH-10 WEST	BOERNE	TX	78006	SULLIVAN CHRISTOPHER B	101 ALLEGRO AVE	DUSON	LA	70529
161334	1F66F5D73E0A11770	2015	CS	CA	3919	F	8/14/2014	8/25/2014	COACHLIGHT	5327 S GARRISON AVE	CARTHAGE	MO	64836	ELLIS CHARLES R	62599 E. 269 TRAIL	GROVE	OK	73444
161335	1F66F5D77E0A12176	2015	CS	CA	3610	F	8/12/2014	8/21/2014	TOM LINDSTROM	500 W LOS ANGELES AVE	MOORPARK	CA	93021	SCHWEIG RICHARD	23816 BARONA MESA RD	RAMONA	CA	92065
161336	1F66F5D75E0A15514	2015	CS	CA	3921	F	10/16/2014	10/27/2014	TOM LINDSTROM	500 W LOS ANGELES AVE	MOORPARK	CA	93021	LINGO ANTHONY M	PO BOX 2399	MARTINEZ	CA	94553
161337	1F66F5D75E0A11060	2015	CS	CA	3913	F	7/24/2014	8/1/2014	ALBANY	RV ONE SUPERSTORES INC	ALBANY	NY	12205-3401	REISING SCOTT	1820 BRADSHAW BLVD	COOKVILLE	TN	38506
161338	1F66F5D71E0A11430	2015	CS	CA	3914	F	7/30/2014	8/7/2014	ALBANY	RV ONE SUPERSTORES INC	ALBANY	NY	12205-3401	LEAMAN SHARI	1919 STONE GATE RD	YORK	PA	17808
161339	1F66F5D73E0A11428	2015	CS	CA	3921	F	7/21/2014	7/30/2014	ALBANY	RV ONE SUPERSTORES INC	ALBANY	NY	12205-3401	FALIVENO JOHN	12 MILES AVE	ILION	NY	13357
161340	1F66F5D74F0A04151	2015	CS	CA	3921	F	12/2/2014	12/10/2014	WILKINS	7520 STATE ROUTE 415	BATH	NY	14810	STEMPEL MARK	1025 LOCUST AVE	BOHEMIA	NY	11716
161341	1F66F5D71E0A15512	2015	CS	CA	3911	F	10/10/2014	10/21/2014	GORES DICK	14590 DUVAL PLACE WEST	JACKSONVILLE	FL	32218	SCHNEIDER JAN	728 LIVE OAK LN	PINOLE	CA	94564
161343	1F66F5D72E0A13199	2015	CS	CA	3610	F	9/19/2014	9/29/2014	GUARANTY RV	20 HWY 99 SOUTH	JUNCTION CITY	OR	97448	SCHLEPP JAMES	1709 SANDPIPER DR	MEDFORD	OR	97401
161344	1F66F5D77E0A11769	2015	CS	CA	3914	F	8/20/2014	8/29/2014	GUARANTY RV	20 HWY 99 SOUTH	JUNCTION CITY	OR	97448	ELLIS ROBERT	6153 PLUM TREE CT N E	KEIZER	OR	97303
161346	1F66F5D71E0A15851	2015	CS	CA	3921	F	10/29/2014	11/6/2014	FIFE	FIFE RV & AUTO CENTER INC	FIFE	WA	98424-1121	BAILEY DIANE	3139 SE BEACHCREST CT	PORT ORCHARD	WA	98366
161347	1F66F5D73F0A03685	2015	CS	CA	3920	F	11/26/2014	12/8/2014	FIFE	FIFE RV & AUTO CENTER INC	FIFE	WA	98424-1121	SAIZ EVANGELINE	6014 58TH ST W	UNIVERSITY PLACE	WA	98467
161348	1F66F5D7XE0A13693	2015	CS	CA	3610	F	10/30/2014	11/7/2014	FIFE	FIFE RV & AUTO CENTER INC	FIFE	WA	98424-1121	NEAL DOUGLAS J	1687 STEPHEN ST	OAK HARBOR	WA	98277
161349	1F66F5D79E0A13690	2015	CS	CA	3612	F	9/25/2014	10/3/2014	NATIONAL INDOOR GA	NATIONAL INDOOR RV CENTERS LLC	LILBURN	GA	30047-8422	EVANS RONALD S	532 GLEN LEVEL CIRCLE	SUGAR HILL	GA	30518
161350	1F66F5D70E0A14657	2015	CS	CA	3919	F	8/29/2014	9/9/2014	NORTH TRAIL	LEE COUNTY RV SALES CO	FORT MYERS	FL	33905-2750					
161351	1F66F5D74E0A13687	2015	CS	CA	3610	F	9/3/2014	9/11/2014	NORTH TRAIL	LEE COUNTY RV SALES CO	FORT MYERS	FL	33905-2750	PATTEN LANCE P	2908 COUNTRY CLUB DR	BOWLING GREEN	FL	33834
161352	1F66F5D75E0A15089	2015	CS	CA	3953	F	9/25/2014	10/6/2014	HOLIDAY WORLD OF KATY	28909 KATY FREEWAY	KATY	TX	77494	COYLE ROANE	2602 J R DRIVE	MANVEL	TX	77578
161353	1F66F5D72E0A13686	2015	CS	CA	3920	F	8/21/2014	9/2/2014	TRANSWEST MO	17327 S OUTER RD	BELTON	MO	64012	ELDRIDGE CHARLES	411 WALNUT STREET #8902	GREEN COVE SPRINGS	FL	32043
161354	1F66F5D75E0A14654	2015	CS	CA	3911	F	9/3/2014	9/11/2014	TAMPA	LEE COUNTY RV SALES CO	FORT MYERS	FL	33905-2750	WILLIAMS JAMES M	114 CENTER WAY	ALABASTER	AL	35007
161355	1F66F5D72F0A04150	2015	CS	CA	3914	F	11/26/2014	12/9/2014	TAMPA	RV ONE SUPERSTORES INC	DOVER	FL	33527-4132	BRAY KENNETH	20752 AMANDA OAK CT	LAND O LAKES	FL	34638
161356	1F66F5D79E0A15094	2015	CS	CA	3921	F	10/8/2014	10/17/2014	TAMPA	RV ONE SUPERSTORES INC	DOVER	FL	33527-4132					
161357	1F66F5D71E0A15090	2015	CS	CA	3911	F	9/30/2014	10/9/2014	NORTH TRAIL	LEE COUNTY RV SALES CO	FORT MYERS	FL	33905-2750	HAESE ROGER	4900 WEST RIDGE PARK DR	LAKE CHARLES	LA	70605
161358	1F66F5D70E0A14660	2015	CS	CA	3911	F	9/26/2014	10/6/2014	NORTH TRAIL	LEE COUNTY RV SALES CO	FORT MYERS	FL	33905-2750	POUNCEY TOMMY G	621 BELMONT AVE	OSWEGO	IL	60543
161359	1F66F5D73E0A15091	2015	CS	CA	3911	F	10/2/2014	10/10/2014	LEISURE TIME	4901 S ANDERSON RD	OKLAHOMA CITY	OK	73150-3804	GILL EDDIE	8177 S. HARVARD #216	TULSA	OK	74137
161360	1F66F5D73E0A15088	2015	CS	CA	3911	F	9/19/2014	9/30/2014	NATIONAL INDOOR GA	NATIONAL INDOOR RV CENTERS LLC	LILBURN	GA	30047-8422	STEELE TINY N	775 FLINN DRIVE	EAST RIDGE	TN	37412
161361	1F66F5D76E0A13691	2015	CS	CA	3610	F	10/8/2014	10/16/2014	MIDWAY	5590 S DIVISION AVE	GRAND RAPIDS	MI	49548	BOISSONEAULT PETER	374 BISHOPS TERRACE	HYANNIS	MA	2601
161362	1F66F5D76F0A03244	2015	CS	CA	3953	F	11/17/2014	11/25/2014	BECKLEYS	BECKLEYS ENTERPRISES INC	THURMONT	MD	21788	SULLIVAN MICHAEL T	301 COUNTRY CLUB TRAIL	FAIRFIELD	PA	17320
161363	1F66F5D75E0A15092	2015	CS	CA	3913	F	10/3/2014	10/14/2014	NORTH TRAIL	LEE COUNTY RV SALES CO	FORT MYERS	FL	33905-2750	GREGOIRE SERGE	751 CHIPPEWA TRL	FORT MYERS BEACH	FL	33931
161364	1F66F5D70E0A15517	2015	CS	CA	3921	F	10/20/2014	10/28/2014	A & S RV	2375 OPDYKE RD	AUBURN HILLS	MI	48326	LORIAULT YRES	301 RD 105	CHELSEA	PQ	J98 1L3
161365	1F66F5D79F0A04565	2015	CS	CA	3920	F	12/11/2014	1/7/2015	STEINBRING	7390 COUNTY ROAD 82	GARFIELD	MN	56332					
161366	1F66F5D7XE0A17002	2015	CS	CA	3953	F	10/29/2014	11/6/2014	NATIONAL INDOOR TX	NATIONAL INDOOR STORAGE I LLC	LEWISVILLE	TX	75057-4733	LESTER DAVID W	5715 HWY 85 N #1538	CRESTVIEW	FL	32536
161367	1F66F5D77E0A15515	2015	CS	CA	3921	F	10/14/2014	10/22/2014	NATIONAL INDOOR TX	NATIONAL INDOOR STORAGE I LLC	LEWISVILLE	TX	75057-4733	SMITHWICK MICHAEL G	308 WHITTIER ST	HIGHLAND VILLAGE	TX	75077
161368	1F66F5D77E0A15093	2015	CS	CA	3919	F	10/9/2014	10/17/2014	COACHLIGHT									

410481	4VZDN1A978C061392	2008	VT	DP	3332	5	6/6/2007	6/19/2007	SIERRA RV	AMERICAN RV RENTALS INC	9125 S VIRGINIA ST	RENO	NV	89511	HUMPHRIES STEVEN W	300 W FORTINI ST	MERIDIAN	ID	83642	
410523	4VZDN1A968C061318	2008	VT	DP	3330	5	5/29/2007	6/12/2007	NORTH TRAIL	LEE COUNTY RV SALES CO	5270 ORANGE RIVER BLVD	FORT MYERS	FL	33905	ALBAIN WAYNE	8177 MILLVIEW DRIVE	CINCINNATI	OH	45249	
410524	4VZDN1A998C061488	2008	VT	DP	3332	5	6/12/2007	6/12/2007	NORTH TRAIL	LEE COUNTY RV SALES CO	5270 ORANGE RIVER BLVD	FORT MYERS	FL	33905	ALBAIN WAYNE	8177 MILLVIEW DRIVE	CINCINNATI	OH	45249	
410526	4VZBN1B918C061328	2008	VT	DP	3936	5	5/31/2007	6/12/2007	NORTH TRAIL	LEE COUNTY RV SALES CO	5270 ORANGE RIVER BLVD	FORT MYERS	FL	33905	ALBAIN WAYNE	8177 MILLVIEW DRIVE	CINCINNATI	OH	45249	
410527	4VZBN1B938C061329	2008	VT	DP	3942	5	6/6/2007	6/19/2007	NORTH TRAIL	LEE COUNTY RV SALES CO	5270 ORANGE RIVER BLVD	FORT MYERS	FL	33905	FITZGERALD SIDNEY A	6713 93RD ST E	BRADENTON	FL	34202-9783	
410534	4VZBN1B98X061327	2008	VT	DP	3960	5	5/29/2007	6/7/2007	GUARANTY RV	20 HWY 99 SOUTH	PO BOX 279	JUNCTION CITY	OR	97448	PHELPS ERIC	50 ALDERVIEW DR	PORT ANGELES	WA	98362	
410537	4VZBN1B98X061330	2008	VT	DP	3936	5	6/7/2007	6/20/2007	TRAVEL EASY	TRAVEL EASY RV INC	4299 HWY 441 SOUTH	KEECHOBBEE	FL	34974	GRIGIER JOHN	14960 COLLIER BLVD #2089	NAPLES	FL	34119	
410539	4VZDN1A998C061233	2008	VT	DP	3330	5	7/11/2007	7/19/2007	R & S	218 S LAKE OF WOODS ROAD		MAHOMET	IL	61853	STEGALL RALPH	49 W 021 DEERRIDGE PATH	BIG ROCK	IL	60511	
410540	4VZDN1A998C061491	2008	VT	DP	3933	5	6/20/2007	7/13/2007	WILKINS	7520 STATE ROUTE 415		BATH	NY	14810	KUBISSA DAVID	91 CURREN ROAD	PINE CITY	NY	14871	
410542	4VZDN1A978C061490	2008	VT	DP	3936	5	6/19/2007	7/12/2007	HOWARD RV	HOWARD RV CENTER (DBA)	6811 MARKET ST	WILMINGTON	NC	28405	FIELDS SANKEY C	4217 LONG BEACH RD	SOUTHPORT	NC	28461	
410543	4VZDN1A998C061492	2008	VT	DP	3933	5	6/20/2007	7/13/2007	TOM SCHAEFFERS	TRAVEL CENTER INC	1236 POTTSVILLE PIKE	SHOEMAKERSVILLE	PA	19555	BERGER JOHN	8944 BANYON COVE CIRCLE	FORT MYERS	FL	33919	
410544	4VZDN1A958C062525	2008	VT	DP	3960	5	7/13/2007	7/24/2007	GUARANTY RV	20 HWY 99 SOUTH	PO BOX 279	JUNCTION CITY	OR	97448	YORK JERRY	3612 UNION ST SE	ALBANY	OR	97322	
410545	4VZDN1A98X062522	2008	VT	DP	3940	5	7/17/2007	7/26/2007	GUARANTY RV	20 HWY 99 SOUTH	PO BOX 279	JUNCTION CITY	OR	97448	FOGARTY DANIEL L	8364 E GOLDEN CHolla DR	GOLD CANYON	AZ	85218	
410546	4VZDN1A958C061536	2008	VT	DP	3942	5	6/27/2007	7/18/2007	ANSLEY	1280 ROUTE 764		DUNCANSVILLE	PA	16635	BARTKOWIAK ANTHONY J	432 WINDSOR DRIVE	ALTOONA	PA	16601	
410548	4VZDN1A938C062524	2008	VT	DP	3933	5	7/12/2007	7/23/2007	MOUNTAIN ROAD	JOHN R GREEN	31 MOUNTAIN ROAD	SABATTUS	ME	04280						
410549	4VZDN1A938C061535	2008	VT	DP	3942	5	7/16/2007	7/26/2007	BECKLEYS	BECKLEYS ENTERPRISES INC	11109 ANGLEBERGER RD	THURMONT	MD	21788	THEISEN JEFF	19036 WEST 53RD PL	GOLDEN	CO	80403	
410550	4VZDN1A98X062620	2008	VT	DP	3933	5	7/18/2007	7/30/2007	CAMPER COACHES	1701 S LOOP 289		LUCKOCK	TX	79423	GUETERSLOH SARAH	406 BOX 462	PLAINS	TX	79355	
410551	4VZDN1A918C062523	2008	VT	DP	3936	5	7/17/2007	7/30/2007	MIDWAY	5590 S DIVISION AVE		GRAND RAPIDS	MI	49548	STOCKS TOM	8472 RIDGEWOOD AVE #501	CAPE CANAVERAL	FL	32920	
410552	4U2AB2D78BCAW7251	2008	VT	DP	3330	5	7/18/2007	7/31/2007	BECKLEYS	BECKLEYS ENTERPRISES INC	11109 ANGLEBERGER RD	THURMONT	MD	21788	HUBER RICHARD C	1800 NORTHVIEW RD	YORK	PA	17409	
410553	4VZDN1A928C061493	2008	VT	DP	3936	5	7/25/2007	8/6/2007	JOHNS	242 GLASSMASTER RD		LEXINGTON	SC	29072	DAVIS ERNEST	6 LEESBERRY CT	EASTOVER	SC	29044	
410554	4VZDN1A918C062621	2008	VT	DP	3933	5	7/19/2007	7/31/2007	SIERRA RV	AMERICAN RV RENTALS INC	9125 S VIRGINIA ST	RENO	NV	89511	CIOCCA EDWARD M	1674 E 2900 S	WENDELL	ID	83355-3025	
410555	4VZDN1A948C061494	2008	VT	DP	3936	5	7/25/2007	8/7/2007	WILKINS	7520 STATE ROUTE 415		BATH	NY	14810	MOSHER PAUL A	197 TENNESSEE RD	COUDERSPORT	PA	16915	
410556	4VZDN1A998C062916	2008	VT	DP	3933	5	8/1/2007	8/13/2007	TENNESSEE RV	835 HUCKLEBERRY SPRINGS RD.		KNOXVILLE	TN	37924	JOHNSON JOHNNY L	2252 WATKINS RD	TALBOTT	TN	37877	
410557	4VZDN1A908C062822	2008	VT	DP	3936	5	7/31/2007	8/9/2007	TENNESSEE RV	835 HUCKLEBERRY SPRINGS RD.		KNOXVILLE	TN	37924	TREW RALPH R	10323 VENICE RD	KNOXVILLE	TN	37923-2045	
410558	4VZDN1A978C062722	2008	VT	DP	3933	5	7/26/2007	8/8/2007	GORES DICK	14590 DUVAL PLACE WEST		JACKSONVILLE	FL	32218	STUMP GEORGE	142 SOUTH OLD KINGS RD	ORMOND BEACH	FL	32174	
410559	4VZDN1A958C062721	2008	VT	DP	3936	5	7/24/2007	8/2/2007	GORES DICK	14590 DUVAL PLACE WEST		JACKSONVILLE	FL	32218	TRENT MARY L	2838 AFFIRMED CT	GREEN COVE SPRINGS	FL	32043	
410560	4VZDN1A908C062917	2008	VT	DP	3933	5	8/1/2007	8/14/2007	WILKINS	7520 STATE ROUTE 415		BATH	NY	14810	BRADLEY DONALD L	67 CHIMNEY HILL DR	COLCHESTER	VT	5446	
410561	4VZDN1A988C062860	2008	VT	DP	3933	5	7/31/2007	8/9/2007	ANSLEY	1280 ROUTE 764	PO BOX 239	DUNCANSVILLE	PA	16635	WEAVER GARY R	477 SCHELLSBURG RD	IMLER	PA	16655	
410562	4VZDN1A98X062973	2008	VT	DP	3936	5	8/15/2007	8/27/2007	RV SUPERSTORE	THE TERRY GROUP LLC	4467 E DANDELION	PANHRUMP	NV	89048	YOUNGER ROBERT D	2428 ELIZABETH AVE	ALBUQUERQUE	NM	87112	
410563	4VZDN1A908C062996	2008	VT	DP	3933	5	9/7/2007	9/18/2007	RV SUPERSTORE	THE TERRY GROUP LLC	4700 BOULDER HIGHWAY	LAS VEGAS	NV	89121	GUND STEPHEN P	2121 WALTON RD	ST LOUIS	MO	63114	
410564	4VZDN1A908C061489	2008	VT	DP	3330	5	8/8/2007	8/20/2007	RV SUPERSTORE	THE TERRY GROUP LLC	4467 E DANDELION	PANHRUMP	NV	89048	LARGE TONY	3390 CARMEL DRIVE	COSTA MESA	CA	92626	
410565	4VZDN1A968C062971	2008	VT	DP	3933	5	8/14/2007	8/23/2007	HOWARD RV	HOWARD RV CENTER (DBA)	6811 MARKET ST	WILMINGTON	NC	28405	FARLEY FRANK M	167 FREDERICK AVE	BAByLON	NY	11702	
410566	4VZDN1A988C062972	2008	VT	DP	3933	5	8/15/2007	8/27/2007	GENERAL	48500 12 MILE RD		WIXOM	MI	48393	KRAMER JEFFREY D	36462 ITALY DR	NEW BALTIMORE	MD	48047	
410567	4VZDN1A948C062970	2008	VT	DP	3933	5	8/9/2007	8/21/2007	R & S	218 S LAKE OF WOODS ROAD		MAHOMET	IL	61853	CAMP WILLIAM	881 FAIRWAY DR	FORSYTH	IL	62535	
410568	4VZDN1A958C062993	2008	VT	DP	3960	5	8/23/2007	9/5/2007	GUARANTY RV	20 HWY 99 SOUTH	PO BOX 279	JUNCTION CITY	OR	97448	LOYD JOHN T	7079 MUIRKIRK LN SW	PORT ORCHARD	WA	98367	
410569	4VZDN1A98X062682	2008	VT	DP	3332	5	8/20/2007	8/29/2007	GUARANTY RV	20 HWY 99 SOUTH	PO BOX 279	JUNCTION CITY	OR	97448	TURNER WILLIAM D	PO BOX 160	PENNGROVE	CA	94951	
410570	4VZDN1A928C061235	2008	VT	DP	3330	5	8/30/2007	9/11/2007	LA MESA	6006 MIRAMAR ROAD		SAN DIEGO	CA	92121	GARVER ELIZABETH	21000 CAMERON CT	RENO	NV	89505	
410571	4VZDN1A928C062997	2008	VT	DP	3936	5	8/30/2007	9/11/2007	CAMPER COACHES	1701 S LOOP 289		LUCKOCK	TX	79423	BRISTOW KENNETH R	5311 SAN ANTONIO CT	MIDLAND	TX	79707	
410572	4VZDN1A958C061259	2008	VT	DP	3332	5	9/4/2007	9/12/2007	LA MESA	6006 MIRAMAR ROAD		SAN DIEGO	CA	92121	FRERIGER DONAC P	7928 TINATA LN	SAN DIEGO	CA	92139	
410573	4VZDN1A978C062994	2008	VT	DP	3933	5	8/29/2007	9/10/2007	LA MESA	6006 MIRAMAR ROAD		SAN DIEGO	CA	92121	HENRY JOYLN	43197 JOSHUA RD	RANCHO MIRAGE	CA	92270	
410574	4VZDN1A998C062995	2008	VT	DP	3960	5	8/28/2007	9/7/2007	LA MESA	6006 MIRAMAR ROAD		SAN DIEGO	CA	92121	HINDMAN DUANE C	27805 BEN NEVIS WY	YORBA LINDA	CA	92887	
410575	4VZDN1A998C063063	2008	VT	DP	3942	5	9/7/2007	9/18/2007	NORTH TRAIL	LEE COUNTY RV SALES CO	5270 ORANGE RIVER BLVD	FORT MYERS	FL	33905	PLUMMER WILLIAM N	408 8TH AVE NORTH	TIERRA VERDE	FL	33715	
410576	4VZDN1A908C063064	2008	VT	DP	3942	5	9/11/2007	9/20/2007	HOWARD RV	HOWARD RV CENTER (DBA)	6811 MARKET ST	WILMINGTON	NC	28405	EPP GEORGE M	254 FRIWINKLE RD	MONETA	VA	24121	
410581	4VZDN1A928C063065	2008	VT	DP	3933	5	9/19/2007	10/1/2007	CAMPER COACHES	1701 S LOOP 289		LUCKOCK	TX	79423	BUTLER ALLEN	24 SOUTH LAKESHORE DR	RANDSON CANYON	TX	79366	
410582	4VZDN1A948C063066	2008	VT	DP	3942	5	9/18/2007	9/27/2007	LEES RV CITY	13111 N BROADWAY EXT		OKLAHOMA CITY	OK	73114	DECKER KREG	73114 DECKER KREG	EDMOND	OK	73013	
410583	4VZDN1A968C063067	2008	VT	DP	3933	5	9/24/2007	10/3/2007	ALOHA	8300 PAN AMERICAN FWY NE STE A		ALBUQUERQUE	NM	87113	FAIRCHILD ELMER R	524 RR 1	FLEMINGTON	MO	65650-9641	
410584	4VZDN1A938C063155	2008	VT	DP	3933	5	9/25/2007	10/4/2007	CAMPER COACHES	1701 S LOOP 289		LUCKOCK	TX	79423	PUTMAN DARIN	5630 N CR 1570	SHALLOWATER	TX	79063	
410586	4VZDN1A938C064354	2008	VT	DP	3330	5	10/1/2007	10/10/2007	GUARANTY RV	20 HWY 99 SOUTH	PO BOX 279	JUNCTION CITY	OR	97448	KRAMER SPIKE	209 NE PANTHER LAKE RD	BREMERTON	WA	98312	
410587	4VZDN1A978C063157	2008	VT	DP	3933	5	10/4/2007	10/16/2007	STEINBRING	3710 SOUTH HIGHWAY 29		ALEXANDRIA	MN	56308-2929	PAYNE ALAN	301 E MARLETTE AVE	PHOENIX	AZ	85012	
410588	4VZDN1A958C063156	2008	VT	DP	3942	5	10/2/2007	10/11/2007	TRAVEL EASY	TRAVEL EASY RV INC	4299 HWY 441 SOUTH	KEECHOBBEE	FL	34974	PARTNERSHIP *	3100 N ROAD	NAPLES	FL	34104	
410589	4VZDN1A998C063158	2008	VT	DP	3933	5	10/10/2007	10/22/2007	FREEDOM	3735 E IRVINGTON RD		TUCSON	AZ	85714	GUST-THOMASON SUZANNE	526 ISLES END RD	GALVESTON	TX	77554	
410591	4VZDN1A988C064740	2008	VT	DP	3960	5	10/29/2007	11/7/2007	GORES DICK	14590 DUVAL PLACE WEST		JACKSONVILLE	FL	32218	BRUNI JO A	5001 LONG BRANCH LN	EDMOND	OK	73034	
410592	4VZDN1A958C064484	2008	VT	DP	3933	5	10/11/2007	10/23/2007	NORTH TRAIL	LEE COUNTY RV SALES CO	5270 ORANGE RIVER BLVD	FORT MYERS	FL	33905	GRINDEY GORDON	4960 COLLIER BLD #2082	NAPLES	FL	34119	
410593	4VZDN1A998C064357	2008	VT	DP	3330	5	10/22/2007	10/31/2007	GUARANTY RV	20 HWY 99 SOUTH	PO BOX 279	JUNCTION CITY	OR	97448	MOORE MURRAY C	BOX 1449 US 59TH - 100 ASPHALT LN	SHAPLES	TX	77371	
410594	4VZDN1A98C064810	2008	VT	DP	3960	5	10/29/2007	11/8/2007	GUARANTY RV	20 HWY 99 SOUTH	PO BOX 279	JUNCTION CITY	OR	97448	SONDAG GENE	2040 W MAIN ST., # 210-1937	RAPID CITY	SD	57702	
410596	4VZDN1A998C064570	2008	VT	DP	3933	5	10/22/2007	10/31/2007	GUARANTY RV	20 HWY 99 SOUTH	PO BOX 279	JUNCTION CITY	OR	97448	SUMMERS LEROY	1948 MIMDA DR	EUGENE	OR	97408	
410597	4VZDN1A988C064432	2008	VT	DP	3332	5	10/30/2007	11/8/2007	NORTH TRAIL	LEE COUNTY RV SALES CO	5270 ORANGE RIVER BLVD	FORT MYERS	FL	33905	BRONSON WILLIAM K	9 ROYAL POINTE DR	HILTON HEAD	SC	29926	
410598	4VZDN1A98X064755	2008	VT	DP	3330	5	11/5/2007	11/14/2007	NORTH TRAIL	LEE COUNTY RV SALES CO	5270 ORANGE RIVER BLVD	FORT MYERS	FL	33905	ELISABETH RUFFINENGO	VICOLA PRIVATO VILLETTE 8	28040 BORGO TICINO NO	IT		
410599	4VZDN1A908C064571	2008	VT	DP	3933	5	10/23/2007	11/5/2007	HARPER	1200 E 10TH ST		GREAT BEND	KZ	67530	NANNY GREGORY	6917 N PLUM	HUTCHINSON	KS	67502	
410600	4VZDN1A918C061260	2008	VT	DP	3330	5	10/24/2007	11/5/2007	FREEDOM	3735 E IRVINGTON RD		TUCSON	AZ	85714	JONES DON	1165 RASCON CT	SAN DIEGO	CA	92131	
410601	4VZDN1A98X064433	2008	VT	DP																

410765	4VZDN1A91AC071499	2010	VT	DP	3961	S	8/13/2009	8/26/2009	BUDDY GREGG	BGMH ACQUISITION LLC	11730 SNYDER RD	KNOXVILLE	TN	37932 OWENS EDWARD I	514 AMERICAS WAY #4271	BOX ELDER	SD	57719	
410766	4VZBT1B92AC071393	2010	VT	DP	4333	S	7/30/2009	8/12/2009	PROFESSIONAL SALES	1809 JOHN MCCAIN RD	PO BOX 1018	COLLEVILLE	TX	76034-6371 MANSEN ROBERT	2500 LAKEWOOD DR	GRAND PRAIRE	TX	75050	
410767	4VZDN1A91AC071437	2010	VT	DP	3933	S	7/30/2009	8/12/2009	PROFESSIONAL SALES	1809 JOHN MCCAIN RD	PO BOX 1018	COLLEVILLE	TX	76034-6371 BIVENS ROBERT	3400 CR 206	ALVARO	TX	76009	
410769	4VZDN1A99AC072657	2010	VT	DP	3933	S	2/18/2010	3/1/2010	ANCIRA	30500 IH-10 WEST		BOERNE	TX	78006 TIGERINA JOHN	2001 SHANNON CIRCLE	ALICE	TX	78332	
410770	4VZBT1B95AC071503	2010	VT	DP	4333	S	8/26/2009	9/15/2009	A & S RV	2375 OPDYKE RD		AUBURN HILLS	MI	48326 STILLWELL JERRY	703 EMERALD DR	LAFAYETTE	IN	47905	
410772	4VZDN1A96AC071501	2010	VT	DP	3933	S	8/27/2009	9/16/2009	MOUNT COMFORT	5935 W 225 N		GREENFIELD	IN	46140 PRUITT ERROR	2508 S. 400 E.	GREENFIELD	IN	46140	
410773	4VZDN1A93AC071570	2010	VT	DP	3933	S	9/16/2009	9/22/2009	NORTH TRAIL	LEE COUNTY RV SALES CO	5270 ORANGE RIVER BLVD	FORT MYERS	FL	33905 FLECK DUDLEY F	2013 ASPEN RIDGE SE	CEDAR RAPIDS	IA	52403	
410774	4VZDN1A97AC071653	2010	VT	DP	3961	S	9/21/2009	10/1/2009	A & S RV	2375 OPDYKE RD		AUBURN HILLS	MI	48326 SIMPSON JEFF	14502 CABIN PORT	LEO	IN	46765	
410776	4VZBT1B93AC071533	2010	VT	DP	4333	S	10/5/2009	10/15/2009	HOLIDAY WORLD OF HOUSTON	28909 KATY FREEWAY		KATY	TX	77494 SPAYDE BOBBY R	112 SUFFOLK DR	LONG BEACH	MS	39560	
410777	4VZDN1A97AC071796	2010	VT	DP	3933	S	10/15/2009	10/27/2009	HOLIDAY WORLD OF HOUSTON	28909 KATY FREEWAY		KATY	TX	77494 RODE JAMES A	91 HARBOR RUN DR	COLDSRING	TX	77331	
410778	4VZBT1B90AC071571	2010	VT	DP	4386	S	10/13/2009	10/23/2009	NORTH TRAIL	LEE COUNTY RV SALES CO	5270 ORANGE RIVER BLVD	FORT MYERS	FL	33905 MANTERNACH LESTER F	801 MERAQUETA DR SE	CASCADE	IA	52033	
410779	4VZDN1A9XAC071856	2010	VT	DP	3933	S	10/12/2009	10/22/2009	NORTH TRAIL	LEE COUNTY RV SALES CO	5270 ORANGE RIVER BLVD	FORT MYERS	FL	33905 VALDES JACQUELINE	11241 S W 25TH CT	DAVIE	FL	33325	
410781	4VZDN1A93AC071956	2010	VT	DP	3961	S	10/23/2009	11/3/2009	INDEPENDENCE	& SERVICE INC	12705 WEST COLONIAL DR	WINTER GARDEN	FL	34787 GREIBINGER CHARLES J	88 WOODS CREEK RD	DELTAVILLE	VA	23043	
410782	4VZDN1A91AC071955	2010	VT	DP	3936	S	10/28/2009	11/6/2009	PROFESSIONAL SALES	1809 JOHN MCCAIN RD	PO BOX 1018	COLLEVILLE	TX	76034-6371 SCOTT PHILIP	5444 OAKHAVEN RD	FT WORTH	TX	76244	
410784	4VZBT1B97AC071857	2010	VT	DP	4333	S	10/28/2009	11/6/2009	MOUNT COMFORT	5935 W 225 N		GREENFIELD	IN	46140 THORNBERRY JULIEANNE K	10890 WILDCAT DR	CARMEL	IN	46033	
410785	4VZBT1B98AC071897	2010	VT	DP	4333	S	10/29/2009	11/9/2009	GUARANTY RV	20 HWY 99 SOUTH	PO BOX 279	JUNCTION CITY	OR	97448 BOULEAU WELSON J	58454 E MEADOW WAY	OAKRIDGE	OR	97463	
410786	4VZDN1A95AC071957	2010	VT	DP	3936	S	10/29/2009	11/9/2009	GORES DICK	14590 DUVAL PLACE WEST		JACKSONVILLE	FL	32218 SMITH ANDREW J	4564 CRAZY HORSE AVE	MIDDLEBURG	FL	32068	
410787	4VZDN1A93AC072024	2010	VT	DP	3942	S	11/4/2009	11/12/2009	GORES DICK	14590 DUVAL PLACE WEST		JACKSONVILLE	FL	32218 FRANK JOSHUA D	2030 SIERRA TRACE RD	DENTON	NC	27239	
410788	4VZBT1B92AC072026	2010	VT	DP	4333	S	10/30/2009	11/10/2009	PROFESSIONAL SALES	1809 JOHN MCCAIN RD	PO BOX 1018	COLLEVILLE	TX	76034-6371 POTTER TERRY	3700 S WESTPORT AVE # 3605	SIoux FALLS	SD	57106	
410789	4VZDN1A97AC071958	2010	VT	DP	3933	S	11/3/2009	11/11/2009	PROFESSIONAL SALES	1809 JOHN MCCAIN RD	PO BOX 1018	COLLEVILLE	TX	76034-6371 MOSES DAVID	5121 WHITE SPRUCE DR	MCKINNEY	TX	75071	
410790	4VZDN1A95AC072025	2010	VT	DP	3933	S	11/9/2009	11/17/2009	R & S	218 S LAKE OF THE WOODS ROAD		MAHOMET	IL	61853-9386 ARENDT DONALD	719 FOX RUN DRIVE	OSKALOOSA	IA	52577	
410791	4VZDN1A95AC072008	2010	VT	DP	3933	S	11/30/2009	12/8/2009	LEES RV CITY	13111 N BROADWAY EXT		OKLAHOMA CITY	OK	73114 WELLS G B	1600 S AUSTIN RD	AMARILLO	TX	79102	
410792	4VZBT1B94AC072027	2010	VT	DP	4333	S	11/19/2009	12/1/2009	FREEDOM	3735 E IRVINGTON RD		TUCSON	AZ	85714 HENDERSON COWBOY	PMB 08081 PO BOX 190	JEFFERSON	OR	97352	
410793	4VZDN1A92AC072113	2010	VT	DP	3961	S	11/23/2009	12/3/2009	FREEDOM	3735 E IRVINGTON RD		TUCSON	AZ	85714 RANSBURG TRESSA	23756 ARENA DR PMB 2153A	RAPID CITY	SD	57702	
410794	4VZDN1A9XAC071999	2010	VT	DP	3961	S	11/16/2009	11/24/2009	NORTH TRAIL	LEE COUNTY RV SALES CO	5270 ORANGE RIVER BLVD	FORT MYERS	FL	33905 FRIEDMAN RICHARD	3300 EMBASSY DRIVE	WEST PALM BEACH	FL	33401	
410795	4VZDN1A95AC072574	2010	VT	DP	3933	S	12/14/2009	1/14/2010	DIXIE RV	10241 DESTINATION DRIVE		HAMMOND	LA	70403 FRIZZELL ARTHUR	800 TWIN LAKES DR	DEFUNIAK SPRINGS	FL	32435	
410796	4VZDN1A90AC072112	2010	VT	DP	3933	S	11/25/2009	12/7/2009	NORTH TRAIL	LEE COUNTY RV SALES CO	5270 ORANGE RIVER BLVD	FORT MYERS	FL	33905 TIES DENNIS M	27610 FIELDSPAR CIRCLE	NEW BRAUNFELS	TX	78132	
410797	4VZDN1A96AC072602	2010	VT	DP	3933	S	1/14/2010	1/25/2010	LONGVIEW	4811 MCINTOSH RD		DOVER	FL	33527 BASHOR GARY	49 PARKWOOD BLVD	POUGHKEEPSIE	NY	12603	
410798	4VZBT1B96AC072000	2010	VT	DP	4333	S	12/15/2009	1/18/2010	LONGVIEW	4811 MCINTOSH RD		DOVER	FL	33527 SPENCE JOHN	2557 STILL WATER	PALM HARBOR	FL	34684	
410799	4VZDN1A99AC072111	2010	VT	DP	3961	S	12/2/2009	12/10/2009	NORTH TRAIL	LEE COUNTY RV SALES CO	5270 ORANGE RIVER BLVD	FORT MYERS	FL	33905 BREY CLYDE A	2665 YORKTON PLACE	OSHKOSH	WI	54904	
410800	4VZDN1A97AC072575	2010	VT	DP	3933	S	12/3/2009	12/14/2009	HOLIDAY WORLD OF HOUSTON	28909 KATY FREEWAY		KATY	TX	77494 KENDRICK RON	1769 OAK ISLAND DRIVE	LAKE JACKSON	TX	77566	
410801	4VZBT1B92AC072608	2010	VT	DP	4386	S	1/15/2010	1/26/2010	STEINBRING	7390 COUNTY ROAD 82	PO BOX 160	GARFIELD	MN	56332 DIDION RICHARD	710 HIGH POINT DR	LAKE ST. LOUISE	MO	63367	
410802	4VZDN1A94AC072601	2010	VT	DP	3936	S	12/15/2009	1/15/2010	STEINBRING	7390 COUNTY ROAD 82	PO BOX 160	GARFIELD	MN	56332 KNOX KEITH	40 CH DES REICENCES	SAINT SAUVEUR	QC	JOR 1R7	
410803	4VZDN1A92AC072824	2010	VT	DP	3432	S	1/28/2010	2/8/2010	HOLIDAY WORLD OF HOUSTON	28909 KATY FREEWAY		KATY	TX	77494 ABRAMS MILTON B	7717 BAINBRIDGE RD	CHAGRIN FALLS	OH	44023	
410804	4VZBT1B92AC072009	2010	VT	DP	4333	S	12/16/2009	1/19/2010	LEES RV CITY	13111 N BROADWAY EXT		OKLAHOMA CITY	OK	73114					
410805	4VZBT1B90AC072798	2010	VT	DP	4386	S	1/19/2010	1/28/2010	BRETZ	4800 GRANT CREEK RD		MISSOULA	MT	59808 HOLLAMON JOHN	125 SCOTCHMAN GULCH RD	PHILIPSBURG	MT	59858	
410806	4VZDN1A98AC072603	2010	VT	DP	3961	S	1/21/2010	2/1/2010	BRETZ	4800 GRANT CREEK RD		MISSOULA	MT	59808 HORGAN FLOYD D	8631 E PANORAMA DR	BOZEMAN	MT	59715	
410807	4VZBT1B92AC072799	2010	VT	DP	4333	S	1/29/2010	2/9/2010	QUALITY RV	46 SOUTHFORK RD		DRAPER	UT	84020 LOVELAND ERIC Z	444 FORT CIRCLE	ALPINE	UT	84004	
410808	4VZBT1B95AC072800	2010	VT	DP	4386	S	2/1/2010	2/10/2010	QUALITY RV	46 SOUTHFORK DR		DRAPER	UT	84020 LAMBERT MICHEL	2209 DES CHENES CH	LA CONCEPTION	QC	JOT 1M10	
410809	4VZDN1A93AC073125	2010	VT	DP	3430	S	2/26/2010	3/9/2010	HARPER	1200 E 10TH ST		GREAT BEND	KS	67530 SCRANTON JOE	PO BOX 333	MEDICINE LODGE	KS	67104	
410810	4VZBT1B90AC072834	2010	VT	DP	4333	S	2/9/2010	2/18/2010	HARPER	1200 E 10TH ST		GREAT BEND	KS	67530 EVANS LEO	25770 PACKARD LN	RENNER	SD	57055-6521	
410811	4VZBT1B93AC072925	2010	VT	DP	4386	S	2/16/2010	2/25/2010	NORTH TRAIL	LEE COUNTY RV SALES CO	5270 ORANGE RIVER BLVD	FORT MYERS	FL	33905 REED WAYNE E	16900 S TAMiami TR B66	FORT MYERS	FL	33908	
410812	4VZDN1A95AC072607	2010	VT	DP	3933	S	2/18/2010	3/1/2010	PROFESSIONAL SALES	1809 JOHN MCCAIN RD	PO BOX 1018	COLLEVILLE	TX	76034-6371 BURGER JAMES	334 PEBBLEBROOK	GRAPEVINE	TX	76051	
410813	4VZDN1A97AC072656	2010	VT	DP	3936	S	2/22/2010	3/3/2010	INDEPENDENCE	& SERVICE INC	12705 WEST COLONIAL DR	WINTER GARDEN	FL	34787 WARNER DONALD	100 OAK LEAF DR	POINCIANA	FL	34759	
410814	4VZDN1A92BC073201	2010	VT	DP	3432	S	3/11/2010	3/19/2010	NORTH TRAIL	LEE COUNTY RV SALES CO	5270 ORANGE RIVER BLVD	FORT MYERS	FL	33905 POWELL LARRY	10453 TAM O STANTON	PENSACOLA	FL	32514	
410815	4VZDN1A94BC073202	2010	VT	DP	3430	S	3/12/2010	3/22/2010	NORTH TRAIL	LEE COUNTY RV SALES CO	5270 ORANGE RIVER BLVD	FORT MYERS	FL	33905 BAUMGARTEL RONALD	5437 WHISPERING WILLOW WAY	FORT MYERS	FL	33908	
410816	4VZDN1A98AC073203	2010	VT	DP	3432	S	3/17/2010	3/24/2010	DAVES RV	SIMS DAVID W	2 INDUSTRIAL PARK PLAZA	DANBURY	CT	06810 VOLKMAR NEIL J	19 DEER RUN TRAIL	SHERMAN	CT	6784	
410817	4VZBT1B91AC072941	2010	VT	DP	4333	S	2/24/2010	3/5/2010	ANCIRA	30500 IH-10 WEST		BOERNE	TX	78006 GIRTON MIKE	5929 16TH ST TERRACE	GREAT BEND	KS	67530	
410818	4VZBT1B92AC072933	2010	VT	DP	4333	S	2/24/2010	3/5/2010	PROFESSIONAL SALES	1809 JOHN MCCAIN RD	PO BOX 1018	COLLEVILLE	TX	76034-6371 HILDEBRAND LEROY	PO BOX 714	SLATON	TX	79364	
410819	4VZBT1B92AC073063	2010	VT	DP	4333	S	3/5/2010	3/16/2010	COACHLIGHT	5327 S GARRISON AVE		CARTHAGE	MO	64836 HOLLIS LARRY	RT1 BOX 1286D	THAYER	MO	65791	
410820	4VZBT1B92BC073064	2011	VT	DP	E S		3/22/2010	4/1/2010	STEINBRING	7390 COUNTY ROAD 82	PO BOX 160	GARFIELD	MN	56332					
410821	4VZBT1B92BC073128	2011	VT	DP	E S		3/18/2010	3/30/2010	STEINBRING	7390 COUNTY ROAD 82	PO BOX 160	GARFIELD	MN	56332 NORDEEN DARRELL	4703 FRANKLIN ADAMS	KINGSVILLE	TX	78363	
410822	4VZBT1B95BC073155	2011	VT	DP	E S		3/23/2010	4/6/2010	DIXIE RV	10241 DESTINATION DRIVE		HAMMOND	LA	70403 JOHNSON JIMMY R	1205 CREEK RIDGE XING	ALPHARETTA	GA	30005	
410823	4VZDN1A98BC072831	2010	VT	DP	3933	S	3/19/2010	3/31/2010	INDEPENDENCE	& SERVICE INC	12705 WEST COLONIAL DR	WINTER GARDEN	FL	34787 SCHMIDT RICHARD K	1700 OLD KELLEY RD	LOCKHART	TX	78644	
410824	4U2FCH851BCAV0307	2011	VT	DP	4335	FL	3/24/2010	4/7/2010	SIERRA RV	AMERICAN RV RENTALS INC	9125 S VIRGINIA ST	RENO	NV	89511 STONE WILLIAM F	5030 MIDWAY RD	RICHVALE	CA	95974	
410825	4U2AB2DT4BCAV0351	2011	VT	DP	4334	FL	3/29/2010	4/8/2010	NORTH TRAIL	LEE COUNTY RV SALES CO	5270 ORANGE RIVER BLVD	FORT MYERS	FL	33905 NELSON DAVID J	384 RALPH RATLEDGE RD	MOCKSVILLE	NC	27028	
410826	4VZBT1B97BC073156	2011	VT	DP	E S		3/30/2010	4/9/2010	GORES DICK	145									

410844	4VZDN1A93BC073062	2011	VT	DP	E S	39735	6/1/2010	6/10/2010	RV SUPERSTORE	THE TERRY GROUP LLC	4427 E DANDELION ST	PAHRUMP	NV	89048-6527	DELANO JANICE	80166 CATALINA DR	INDIO	CA	92203
410845	4VZDN1A94AC073327	2011	VT	DP	E S	39715	6/4/2010	6/14/2010	LEES RV CITY	13111 N BROADWAY EXT		OKLAHOMA CITY	OK	73114	SNIDER SAM	12523 E. 47 LN.	YUMA	AZ	85367
410846	4VZDN1A95BC073127	2011	VT	DP	E S	39735	6/3/2010	6/11/2010	MOUNT COMFORT	5935 W 225 N		GREENFIELD	IN	46140	BROWN DARRELL D	3125 W HIGHWAY 91	BLAIR	NE	68008
410847	4UZACHDT7BCAV0387	2011	VT	DP		3934 FL	6/21/2010	6/30/2010	CAMPERS RV	DEW ENTERPRISES INC	7700 W 70TH ST	SHREVEPORT	LA	71129-2206	DEPINGRE JERRI R	515 GARRISON TR	MINDEN	LA	71055
410850	4UZACHD75BCAV0388	2011	VT	DP		3962 FL	6/25/2010	7/15/2010	GUARANTY RV	20 HWY 99 SOUTH	PO BOX 279	JUNCTION CITY	OR	97448	SMITH FREDDIE B	2126 SAGEWAY DR	REDDING	CA	96003
410851	4UZACHD77BCAV0389	2011	VT	DP		3934 FL	7/14/2010	7/27/2010	MIDSTATE CAMPERS	10400 RECREATIONAL DR		BLACK HAWK	SD	57718-8654	INGEMUNSON GREG	9701 S HIGH MEADOWS DRIVE	BLACK HAWK	SD	57718
410855	4UZACHD75BCAV0391	2011	VT	DP		3934 FL	7/27/2010	8/5/2010	PROFESSIONAL SALES	1809 JOHN MCCAIN RD	PO BOX 1018	COLLEVILLE	TX	76034-6371	PEEK DUDLEY	2770 BARDIN RD #6304	GRAND PRAIRIE	TX	75052
410856	4UZCFH85BCAV07255	2011	VT	DP		4335 FL	7/28/2010	8/5/2010	NORTH TRAIL	LEE COUNTY RV SALES CO	5270 ORANGE RIVER BLVD	FORT MYERS	FL	33905	PEEK DUDLEY	2104 94TH ST	LUDBOCK	TX	79423
410859	4UZCFH853BCAV0308	2011	VT	DP		4333 FL	8/3/2010	8/11/2010	COACHLIGHT	5327 S GARRISON AVE		CARTHAGE	MO	64836	KOHLBERG DON	1155 TURPS ROAD	RAGLEY	LA	70657
410860	4UZAB2D74BCAV0382	2011	VT	DP		3433 FL	8/10/2010	8/20/2010	NORTH TRAIL	LEE COUNTY RV SALES CO	5270 ORANGE RIVER BLVD	FORT MYERS	FL	33905	DEMPSEY GLENN M	5108 W INGRAHAM ST APT A	TAMPA	FL	33905
410862	4UZCFH851BCAV0310	2011	VT	DP		4333 FL	8/11/2010	8/23/2010	WILKINS	7520 STATE ROUTE 415		BATH	NY	14810	GARRINGER THEODORE	62 STANLEY HAUSER DR	SMITHSBURG	MD	21783
410863	4UZACHD77BCAV0392	2011	VT	DP		3934 FL	8/12/2010	8/23/2010	WILKINS	7520 STATE ROUTE 415		BATH	NY	14810	BAXTER JOHN D	7638 JEANNINE AVE	PASADENA	MO	21122
410864	4UZACHD79BCAV0393	2011	VT	DP		3962 FL	8/27/2010	9/8/2010	TERRY LABONTE	TRADERS CHEVROLET LLC	1401 BRIDFORD PKWY	GREENSBORO	NC	27407-2657	RADL OTTO	89 GAP MOUNTAIN RD	TROY	NH	3465
410865	4UZCFH852BCAV0316	2011	VT	DP		4333 FL	8/30/2010	9/10/2010	TERRY LABONTE	TRADERS CHEVROLET LLC	1401 BRIDFORD PKWY	GREENSBORO	NC	27407-2657	DOODSON PAUL A	PO BOX 30670	EDMOND	OK	73003
410866	4UZACHD78BCAV0370	2011	VT	DP		3934 FL	9/1/2010	9/14/2010	CAMPERS RV	DEW ENTERPRISES INC	7700 W 70TH ST	SHREVEPORT	LA	71129-2206					
410867	4UZCFH853BCAV0311	2011	VT	DP		4386 FL	9/3/2010	9/15/2010	BUDDY GREGG	BGMH ACQUISITION LLC	11730 SNYDER RD	KNOXVILLE	TN	37932	MILLS ROBERT C	514 AMERICAS WAY #3250	BOX ELDER	SD	57719
410868	4UZACHD74BCAV0396	2011	VT	DP		3962 FL	9/14/2010	9/23/2010	FREEDOM	3735 E IRVINGTON RD		TUCSON	AZ	85714	HAMSTRA JEFFREY A	3075 W MOCKINGBIRD LN	TUCSON	AZ	85713-3086
410870	4UZAB2D76BCAV0383	2011	VT	DP		3433 FL	9/20/2010	9/29/2010	NORTH TRAIL	LEE COUNTY RV SALES CO	5270 ORANGE RIVER BLVD	FORT MYERS	FL	33905	HARGIN PHILIP	16207 CITRUS PARKWAY	CLERMONT	FL	34714
410871	4UZCFH858BCAV0319	2011	VT	DP		4335 FL	9/21/2010	10/1/2010	NORTH TRAIL	LEE COUNTY RV SALES CO	5270 ORANGE RIVER BLVD	FORT MYERS	FL	33905	GRAY KIMBERLY A	11708 PARABLE CT	NEW PORT RICHEY	FL	34654
410872	4UZCFH85XBCAV0323	2011	VT	DP		4386 FL	9/23/2010	10/4/2010	HOLIDAY WORLD OF HOUSTON	28909 KATY FREEWAY		KATY	TX	77494	LINDSTROM DANA M	945 WAVERLY ST	HOUSTON	TX	77008
410873	4UZAB2D71BCAV0369	2011	VT	DP		3433 FL	9/28/2010	10/7/2010	NORTH TRAIL	LEE COUNTY RV SALES CO	5270 ORANGE RIVER BLVD	FORT MYERS	FL	33905	LASH RONALD A	2019 SHAWDOW WOOD RANCH TR	N FT MYERS	FL	33917
410874	4UZAB2D76BCAV0352	2011	VT	DP		3433 FL	9/27/2010	10/6/2010	NORTH TRAIL	LEE COUNTY RV SALES CO	5270 ORANGE RIVER BLVD	FORT MYERS	FL	33905	DEEGAN DON F	5092 SE POST TERR	STUART	FL	34997
410875	4UZAB2D78BCAV0384	2011	VT	DP		3433 FL	10/1/2010	10/12/2010	NORTH TRAIL	LEE COUNTY RV SALES CO	5270 ORANGE RIVER BLVD	FORT MYERS	FL	33905	HENRY CHICK	95 OLD PINETREE CEMETERY RD	WEST LEBANON	NH	5784
410876	4UZAB2D7XBCAV0385	2011	VT	DP		3433 FL	10/4/2010	10/13/2010	NORTH TRAIL	LEE COUNTY RV SALES CO	5270 ORANGE RIVER BLVD	FORT MYERS	FL	33905	SEBASTIAN JOHN A	945 KINGSBANK BLVD #6	SEBASTIAN	FL	32958
410877	4UZCFH857BCAV0313	2011	VT	DP		4335 FL	9/30/2010	10/11/2010	GUARANTY RV	20 HWY 99 SOUTH	PO BOX 279	JUNCTION CITY	OR	97448	DREYER TIM	2445 360TH AVE	FARRAGUT	IA	51639
410878	4UZCFH857BCAV0330	2011	VT	DP		4335 FL	10/5/2010	10/14/2010	NORTH TRAIL	LEE COUNTY RV SALES CO	5270 ORANGE RIVER BLVD	FORT MYERS	FL	33905	STONE HARRY	313 MAIN ST NORTH	SOUTHBURY	CT	6488
410880	4UZCFH850BCAV0332	2011	VT	DP		4335 FL	10/13/2010	10/22/2010	WILL'S RV	10500 DURAND AVE		STURTEVANT	WI	53177-2314	TRAVELIN2 LLC *	1076 N EWING ST	HELENA	MT	59601
410881	4UZCFH859BCAV0331	2011	VT	DP		4333 FL	10/13/2010	10/22/2010	COACHLIGHT RV	5327 S GARRISON AVE		CARTHAGE	MO	64836	FERRERO RICHARD J	13230 DILLON ST	BRIGHTON	CO	80601
410882	4UZAB2D71BCAV0386	2011	VT	DP		3434 FL	10/11/2010	10/20/2010	NORTH TRAIL	LEE COUNTY RV SALES CO	5270 ORANGE RIVER BLVD	FORT MYERS	FL	33905	BYCZEK ERROR D	5900 HARBORAGE DR	FORT MYERS	FL	33908
410883	4UZCFH850BCAV0329	2011	VT	DP		4333 FL	10/8/2010	10/20/2010	NORTH TRAIL	LEE COUNTY RV SALES CO	5270 ORANGE RIVER BLVD	FORT MYERS	FL	33905	KROHN BOB	5250 WILLIAMSTON RD	STOCKBRIDGE	MI	49285
410884	4UZAB2D78BCAV0367	2011	VT	DP		3434 FL	11/10/2010	11/19/2010	NORTH TRAIL	LEE COUNTY RV SALES CO	5270 ORANGE RIVER BLVD	FORT MYERS	FL	33905	STARR THOMAS	120 BUCKINGHAM DR	CHAMBERSBURG	PA	17201
410885	4UZCFH852BCAV0333	2011	VT	DP		4335 FL	10/12/2010	10/21/2010	NORTH TRAIL	LEE COUNTY RV SALES CO	5270 ORANGE RIVER BLVD	FORT MYERS	FL	33905	SZYMIEN RICHARD W	16 W MARKET ST	MARSHALLVILLE	OH	44665
410887	4UZAB2D75BCA28926	2012	VL	DP		3862 FL	10/14/2010	10/25/2010	NORTH TRAIL	LEE COUNTY RV SALES CO	5270 ORANGE RIVER BLVD	FORT MYERS	FL	33905	MOUTON MARC	PO BOX 51221	LAFAYETTE	LA	70505
410888	4UZAB2D7XBCB08418	2012	VL	DP		3843 FL	10/22/2010	11/2/2010	NORTH TRAIL	LEE COUNTY RV SALES CO	5270 ORANGE RIVER BLVD	FORT MYERS	FL	33905	EDGAR MIRANDA	33905 RENAISSANCE DR	CLEARWATER	FL	33759
410889	4UZACHD76BCAV0397	2011	VT	DP		3934 FL	11/2/2010	11/11/2010	GORES DICK	14590 DUVAL PLACE WEST		JACKSONVILLE	FL	32218	GOETTE WILLIAM	11852 LEAFDALE CIR W	JACKSONVILLE	FL	32218
410891	4UZACHD70BCAV0394	2011	VT	DP		3962 FL	11/11/2010	11/22/2010	CAMPERS RV	DEW ENTERPRISES INC	7700 W 70TH ST	SHREVEPORT	LA	71129-2206	HARRIS THOMAS	241 RIDGEFIELD DRIVE	BOSSIER CITY	LA	71111
410893	4UZCFH854BCAV0334	2011	VT	DP		4333 FL	11/17/2010	11/30/2010	WILKINS	7520 STATE ROUTE 415		BATH	NY	14810	REPLOGE TIMOTHY	299 PLOSS RD	RICHMONDVILLE	NY	12149
410895	4UZACHD78BCAV0398	2011	VT	DP		3934 FL	11/12/2010	11/23/2010	WILKINS	7520 STATE ROUTE 415		BATH	NY	14810	YAREMA GORON	9 EAST RICKY LANE	POUGHKEEPSIE	NY	12601
410896	4UZCFH856BCAV0318	2011	VT	DP		4333 FL	11/19/2010	12/1/2010	WILKINS	7520 STATE ROUTE 415		BATH	NY	14810	STRICKLAND TERRY	50 MINOSTA ST PO BOX 126	SHEPHERD	TX	77371
410897	4UZCFH854BCAV0317	2011	VT	DP		4335 FL	11/16/2010	11/24/2010	GORES DICK	14590 DUVAL PLACE WEST		JACKSONVILLE	FL	32218	BARWELL RICHARD G	188 PINELLAS LN #503	COCCOA BEACH	FL	32931
410898	4UZAB2D7XBCAV0368	2011	VT	DP		3434 FL	11/22/2010	12/3/2010	GUARANTY RV	20 HWY 99 SOUTH	PO BOX 279	JUNCTION CITY	OR	97448	SCARBOROUGH RICHARD	32100 MULHOLLAND HWY	MALIBU	CA	90265
410899	4UZCFH854BCAV0320	2011	VT	DP		4335 FL	12/1/2010	12/10/2010	INDEPENDENCE	& SERVICE INC	12705 WEST COLONIAL DR	WINTER GARDEN	FL	34787	TOLLE DAVE	9097 DARK POND LANE	HARBUR	TN	37261
410900	4UZCFH856BCAV0321	2011	VT	DP		4333 FL	12/2/2010	12/13/2010	GORES DICK	14590 DUVAL PLACE WEST		JACKSONVILLE	FL	32218	WOODRUFF LARRY	209 W. 2ND ST	FORT WORTH	TX	76102
410901	4UZACHD73BCAV0356	2011	VT	DP		3934 FL	12/3/2010	12/14/2010	LEES RV CITY	13111 N BROADWAY EXT		OKLAHOMA CITY	OK	73114	RYAN JOHN	PO BOX 2517	EDGEWOOD	NM	87015
410902	4UZAB2D76BCAV0366	2011	VT	DP		3434 FL	12/6/2010	12/15/2010	TERRY LABONTE	TRADERS CHEVROLET LLC	1401 BRIDFORD PKWY	GREENSBORO	NC	27407-2657	COROLLA THOMAS A	126 JENSEL WAY	DURHAM	NC	27707
410903	4UZAB2D76BCAV0402	2011	VT	DP		3433 FL	12/13/2010	1/5/2011	GUARANTY RV	20 HWY 99 SOUTH	PO BOX 279	JUNCTION CITY	OR	97448	KINSTETER IRENE A	303 N E 69TH	PORTLAND	OR	97213
410904	4UZCFH858BCAV0322	2011	VT	DP		4333 FL	12/14/2010	1/7/2011	COACHLIGHT	5327 S GARRISON AVE		CARTHAGE	MO	64836	JONES WILLIAM	1421 MARJOHN AVE	CLEARWATER	FL	33756
410905	4UZACHD71BCAV0355	2011	VT	DP		3962 FL	1/4/2011	1/13/2011	GUARANTY RV	20 HWY 99 SOUTH	PO BOX 279	JUNCTION CITY	OR	97448	JACKSON MICHAEL	PO BOX 2427	WHITE CITY	OR	97503
410906	4UZAB2D72BCB0005	2012	VL	DP		3843 FL	1/3/2011	1/13/2011	STEINBRING	7390 COUNTY ROAD 82	PO BOX 160	GARFIELD	MN	56332	MCCLEARY MIKE	3120 LYLE DR NE	IOWA CITY	IA	52240
410907	4UZAB2D73BCB0000	2012	VL	DP		3634 FL	1/12/2011	1/21/2011	PROFESSIONAL SALES	1809 JOHN MCCAIN RD	PO BOX 1018	COLLEVILLE	TX	76034-6371	OCHS WILMA	1436 S. CHISHOLM TR	GRANBURY	TX	76048
410908	4UZAB2D77BCB3134	2012	VL	DP		3862 FL	1/18/2011	1/26/2011	PROFESSIONAL SALES	1809 JOHN MCCAIN RD	PO BOX 1018	COLLEVILLE	TX	76034-6371	STEPHENS FREDERICK	6011 COUNTING SOUTH LN	MIDLOTHIAN	TX	76065
410909	4UZAB2D70BCB0004	2012	VL	DP		3843 FL	12/15/2010	1/11/2011	HOLIDAY WORLD OF HOUSTON	28909 KATY FREEWAY		KATY	TX	77494	WACKERLY DAVID	28753 LAKESIDE GREEN	MAGNOLIA	TX	77355
410911	4UZAB2D76BCB3125	2012	VL	DP		3862 FL	2/25/2011	3/8/2011	STEINBRING	7390 COUNTY ROAD 82	PO BOX 160	GARFIELD	MN	56332	CALLANDER WILLIAM J	N 8303 RIVER RD	TREGO	WI	54888
410913	4UZAB2D79BCB3135	2012	VL	DP		3862 FL	1/27/2011	2/7/2011	COACHLIGHT	5327 S GARRISON AVE		CARTHAGE	MO	64836	PATRICK JAY D	1841 BLUEBIRD WAY	CARTHAGE	MO	64886
410914	4UZAB2D70BCB3136	2012	VL	DP		3862 FL	1/28/2011	2/8/2011	HOLIDAY WORLD OF HOUSTON	28909 KATY FREEWAY		KATY	TX	77494	HAYES JOE	250 MEUSEBACH	NEW BRAUNFELS	TX	78130
410916	4UZAB2D7XBCAV																		

410955	4UZAB2D78BCBC0011	2012	VL	DP	3843	FL	2/14/2011	2/21/2011	DIXIE RV	10241 DESTINATION DRIVE	HAMMOND	LA	70403	TABOR DWAYNE J	3257 CHOCTAW RD	THIBODAUX	LA	70301	
410956	4UZAB2D79BCBE3118	2012	VL	DP	3862	FL	2/15/2011	2/23/2011	DIXIE RV	DIXIE RV SUPERSTORES	328 GREEN ACRES DR	DEFUNIAK SPRINGS	FL	32435	KAHLER STEWART D	5566 BOOKER ST	MILTON	FL	32570
410957	4UZACHDT98CAV0359	2011	VT	DP	3962	FL	3/3/2011	3/14/2011	TOM LINDSTROM	5152 COMMERCIE AVE		CA	93021-1761	GRANATELLI VINCENT	12497 SAN SEBASTIAN CT	CAMARILLO	CA	93012	
410958	4UZCFH859BCAV0328	2011	VT	DP	4335	FL	2/23/2011	3/4/2011	INDEPENDENCE	& SERVICE INC	12705 WEST COLONIAL DR	WINTER GARDEN	FL	34787	KIRSCH CHRISTOPHER	12413 COUNTY RD 223	ODFORD	FL	34484
410959	4UZAB2D77BCAV0408	2011	VT	DP	3433	FL	3/18/2011	3/29/2011	INDEPENDENCE	& SERVICE INC	12705 WEST COLONIAL DR	WINTER GARDEN	FL	34787	SWICKARD ROSALIE H	13225 SE 86TH CIRCLE	SUMMERFIELD	FL	34491
410960	4UZAB2D79BCAV0409	2011	VT	DP	3434	FL	3/21/2011	3/30/2011	GORES DICK	14590 DUVAL PLACE WEST		FL	32218	PARKER JOHN H	MORRIS ST - PO BOX 1582	MILLSBORO	DE	19966	
410961	4UZCFH853CCBE7070	2012	VT	DP	4333	FL	4/19/2011	5/2/2011	STEINBRING	7390 COUNTY ROAD 82	PO BOX 160	JACKSONVILLE	GA	32218	LAPP MYRON	404 N BUFFALO ST	HEBRON	ND	58638
410963	4UZAB2D76BCBE3142	2012	VL	DP	3634	FL	3/4/2011	3/15/2011	BECKLEYS	BECKLEYS ENTERPRISES INC	11109 ANGLEBERGER RD	THURMONT	MD	21788	GOMEZ PHILLIP L	7220 VAN NESS COURT	MCLEAN	VA	21011
410964	4UZCFH853CCBE7071	2012	VT	DP	4337	FL	3/24/2011	4/1/2011	NATIONAL INDOOR FT	NATIONAL INDOOR RV CENTERS LLC	4405 PAXTON LN SW	LILBURB	GA	30047-8422					
410965	4UZAB2D77BCBE7040	2012	VL	DP	3843	FL	3/15/2011	3/24/2011	HOLIDAY WORLD OF HOUSTON	28909 KATY FREEWAY		KATY	TX	77494	BOUTIN LEO	104 RAINBOW DR #408	LIVINGSTON	TX	77399
410966	4UZAB2D78BCBE3143	2012	VL	DP	3634	FL	3/8/2011	3/18/2011	FREEDOM	3735 E IRVINGTON RD		TUCSON	AZ	85714	WOLF BARBARA	37401 NORTHSIDE DR	ZEPHYRHILLS	FL	33541
410967	4UZCFH857BCAV0327	2011	VT	DP	4386	FL	3/7/2011	3/16/2011	NORTH TRAIL	LEE COUNTY RV SALES CO	5270 ORANGE RIVER BLVD	FORT MYERS	FL	33905-2750	NILES GARY	20285 US HWY 27 LOT 3	CLERMONT	FL	34715
410968	4UZCFH8588BCAV0336	2011	VT	DP	4333	FL	3/7/2011	3/17/2011	NORTH TRAIL	LEE COUNTY RV SALES CO	5270 ORANGE RIVER BLVD	FORT MYERS	FL	33905-2750	KOCH DAVID R	27578 IMPERIAL RIVER RD	BONITA SPRINGS	FL	34134
410969	4UZAB2D79CCBE7042	2012	VL	DP	3862	FL	3/14/2011	3/24/2011	LEES RV CITY	13111 N BROADWAY EXT		OKLAHOMA CITY	OK	73114	RONEMOUS WALTER	18802 VALLEY COVE DRIVE	CYPRESS	TX	77433
410970	4UZACHDT7BCAV0361	2011	VT	DP	3934	FL	3/11/2011	3/22/2011	CRAIN RV	CRAIN RV LLC	9801 I-30	LITTLE ROCK	AR	72209-3305	PURNELL W J	2960 SUNSHINE DR	ROYAL	AR	71968
410971	4UZACHDT2BCAV0364	2011	VT	DP	3934	FL	3/23/2011	4/1/2011	NORTH TRAIL	LEE COUNTY RV SALES CO	5270 ORANGE RIVER BLVD	FORT MYERS	FL	33905-2750	ESTEP JOHN	3419 ADY RD	STREET	MO	21154
410972	4UZACHDT98CAV0362	2011	VT	DP	3934	FL	3/24/2011	4/4/2011	NORTH TRAIL	LEE COUNTY RV SALES CO	5270 ORANGE RIVER BLVD	FORT MYERS	FL	33905-2750	BILLER BILL	118 GETTSBURG DR PO BOX 36	COATESVILLE	IN	46121
410973	4UZACHDT08CAV0363	2011	VT	DP	3943	FL	3/25/2011	4/7/2011	PROFESSIONAL SALES	1809 JOHN MCCAIN RD	PO BOX 1018	COLLEVILLE	TX	76034-6371	DUNN WILLIAM	701 WHISPERING WAY	PROSPER	TX	75078-0559
410974	4UZAB2D7XCCBE3128	2012	VL	DP	3862	FL	3/31/2011	4/11/2011	PROFESSIONAL SALES	1809 JOHN MCCAIN RD	PO BOX 1018	COLLEVILLE	TX	76034-6371	SCHAIN GARY	2313 SUNFLOWER LN	FLOWER MOUND	TX	75028
410975	4UZAB2D7XCCBE0013	2012	VL	DP	3862	FL	4/6/2011	4/15/2011	PROFESSIONAL SALES	1809 JOHN MCCAIN RD	PO BOX 1018	COLLEVILLE	TX	76034-6371	KHAN MAYLI	3241 HORSESHOE DR	GRAPEVINE	TX	76051
410976	4UZAB2D7XCCBE3131	2012	VL	DP	3843	FL	4/5/2011	4/14/2011	PROFESSIONAL SALES	1809 JOHN MCCAIN RD	PO BOX 1018	COLLEVILLE	TX	76034-6371	KELLER LAWRENCE	1795 ALTON CIR	COMMERCE TWP	MI	48390
410977	4UZAB2D78CCBE3127	2012	VL	DP	3862	FL	4/27/2011	5/9/2011	A & S RV	2375 OPDYKE RD		MI	48326	CARPENTIER CAROL	13497 CHATEAU COVE DRIVE	HOLLY	MI	48442	
410978	4UZAB2D78CCBE3130	2012	VL	DP	3843	FL	4/12/2011	4/21/2011	A & S RV	2375 OPDYKE RD		MI	48326	CARPENTIER CAROL	13497 CHATEAU COVE DRIVE	HOLLY	MI	48442	
410983	4UZACHDTXBCAV0371	2011	VT	DP	3962	FL	4/7/2011	4/19/2011	SKY RIVER	SKY RIVER INC	5187 SOUTHFRONT RD	LIVERMORE	CA	94551-9500	RAKOV ROBERT D	3200 30TH ST	SNYDER	TX	79549
410984	4UZAB2D7XCCBH3360	2012	VL	DP	3634	FL	4/8/2011	4/19/2011	SKY RIVER	SKY RIVER INC	5187 SOUTHFRONT RD	LIVERMORE	CA	94551-9500	HUGHES EVAN	925 LAKEVILLE ST. #236	PETALUMA	CA	94954
410985	4UZAB2D79BCBE7069	2011	VT	DP	3433	FL	4/20/2011	5/2/2011	GUARANTY RV	20 HWY 99 SOUTH	PO BOX 279	JUNCTION CITY	OR	97448	ELMSTRAND DENNIS	45375 ANCHOR AVENUE	HARRIS	MN	55032
410986	4UZAB2D7XBCBF5424	2011	VT	DP	3434	FL	4/25/2011	5/4/2011	GUARANTY RV	20 HWY 99 SOUTH	PO BOX 279	JUNCTION CITY	OR	97448	SPERRY DONALD H	191 SHELDON LN	SEQUIM	WA	98382
410989	4UZAB2D73CCBJ0945	2012	VL	DP	3634	FL	5/3/2011	5/12/2011	PROFESSIONAL SALES	1809 JOHN MCCAIN RD	PO BOX 1018	COLLEVILLE	TX	76034-6371	CROSS TAYLOR	7409 WOODHAVEN DR	NORTH RICHLAND HILLS	TX	76180
410990	4UZCFH859BCBE7072	2011	VT	DP	4335	FL	5/9/2011	5/19/2011	GUARANTY RV	20 HWY 99 SOUTH	PO BOX 279	JUNCTION CITY	OR	97448	SZOPA FRANK	1330 BROADWAY DR	NORTH BEND	OR	97459
410991	4UZCFH852CCBH3384	2012	VT	DP	4324	FL	5/23/2011	6/3/2011	GUARANTY RV	20 HWY 99 SOUTH	PO BOX 279	JUNCTION CITY	OR	97448	HOLMES NICHOLAS A	90915 SUADERMAN RD	SPRINGFIELD	OR	97478
410993	4UZACHDTXBCAV0399	2011	VT	DP	3962	FL	5/16/2011	5/26/2011	NORTH TRAIL	LEE COUNTY RV SALES CO	5270 ORANGE RIVER BLVD	FORT MYERS	FL	33905-2750	SMITH KENNETH	10100 VALLANT CT - APT. 201	FT MYERS	FL	33913
410994	4UZACHDT2BCAV0400	2011	VT	DP	3962	FL	5/17/2011	5/27/2011	NORTH TRAIL	LEE COUNTY RV SALES CO	5270 ORANGE RIVER BLVD	FORT MYERS	FL	33905-2750	HANSON HARRY	11342 BERTOLINI DR	VENICE	FL	34292
410995	4UZAB2D73CCBJ0946	2012	VL	DP	3634	FL	5/16/2011	5/25/2011	PROFESSIONAL SALES	1809 JOHN MCCAIN RD	PO BOX 1018	COLLEVILLE	TX	76034-6371	DRAGSET ERROR	1132 HARRIS AVE	HURST	TX	76053
410996	4UZACHDT4BCAV0401	2011	VT	DP	3962	FL	5/18/2011	5/27/2011	NORTH TRAIL	LEE COUNTY RV SALES CO	5270 ORANGE RIVER BLVD	FORT MYERS	FL	33905-2750	MAYERON VICTOR W	15839 SILVERADO ST	FT MYERS	FL	33908
410997	4UZCFH858CCBL5324	2012	VT	DP	4062	FL	5/27/2011	6/9/2011	STEINBRING	7390 COUNTY ROAD 82	PO BOX 160	GARFIELD	MN	56332	CARLSON DAVE	2114 26 1/2 CT S	FARGO	ND	58103
410998	4UZCFH85CCBL5325	2012	VT	DP	4034	FL	6/6/2011	6/15/2011	INDEPENDENCE	& SERVICE INC	12705 WEST COLONIAL DR	WINTER GARDEN	FL	34787	JONAS LOUIS H	441 NORMA COURT	PUNTA GORDA	FL	33950
410999	4UZAB2D7XCCBH3374	2012	VL	DP	3843	FL	6/3/2011	6/14/2011	ANCIRA	30500 IH-10 WEST		BOERNE	TX	78006	MCCEE JAMES	5019 LINWOOD RD	KINGS MOUNTAIN	NC	28086
411000	4UZAB2D70CCBE7043	2012	VL	DP	3862	FL	6/7/2011	6/16/2011	ANCIRA	30500 IH-10 WEST		BOERNE	TX	78006	WITTIG DON	210 1ST ST	WATSON	SK	50K 4V0
411002	4UZAB2D73CCBE3133	2012	VL	DP	3862	FL	6/9/2011	6/20/2011	STEINBRING	7390 COUNTY ROAD 82	PO BOX 160	GARFIELD	MN	56332	SCHNEIDER GREG	4311 WEST GRANGE	GREENFIELD	WI	53220
411004	4UZAB2D73CCBJ4641	2012	VL	DP	3634	FL	6/15/2011	6/24/2011	TOM LINDSTROM	5152 COMMERCIE AVE		CA	93021-1761	TRESE JACK L	25405 PRADO DE ORO	CALABASAS	CA	91302	
411005	4UZAB2D71CCBJ4640	2012	VL	DP	3634	FL	6/17/2011	6/29/2011	MIDWAY	5590 S DIVISION AVE		MI	49548	LEONARD DAVID	3747 CANTON CIRCLE	MUNDELEIN	IL	60060	
411006	4UZAB2D71CCBH3375	2012	VL	DP	3862	FL	6/23/2011	7/13/2011	BECKLEYS	BECKLEYS ENTERPRISES INC	11109 ANGLEBERGER RD	THURMONT	MD	21788	WALTER STEPHEN	11970 BROWNING COURT	MONROVIA	MD	21770
411010	4UZCFH854CCBH3385	2012	VT	DP	4346	FL	7/12/2011	7/21/2011	NORTH TRAIL	LEE COUNTY RV SALES CO	5270 ORANGE RIVER BLVD	FORT MYERS	FL	33905-2750	AHERN BRENDAN C	5764 DESCARTES CIR	BOYNTON BEACH	FL	33472
411012	4UZAB2D7XCCBF5425	2012	VL	DP	3434	FL	8/18/2011	8/29/2011	FREEDOM	3735 E IRVINGTON RD		TUCSON	AZ	85714	RANDOL HOWARD R	514 AMERICAS WAY #2286	BOX ELDER	SD	57719
411013	4UZAB2D73CCBH3376	2012	VL	DP	3862	FL	6/28/2011	7/15/2011	WILL'S RV	10500 DURAND AVE		WI	53177-2314	BOYLES RICHARD L	3700 S. WESTPORT AVE	SIoux FALLS	SD	57106	
411014	4UZAB2D77CCBH3378	2012	VL	DP	3862	FL	7/21/2011	8/3/2011	WILKINS	7520 STATE ROUTE 415		BATH	NY	14810	DJH LLC *	5480 KEIL LOOP	MISSOULA	MT	59808
411016	4UZCFH853CCBL5330	2012	VT	DP	4337	FL	8/10/2011	8/19/2011	WILL'S RV	10500 DURAND AVE		WI	53177-2314	(PATRICIA MUELL *)	1320 VICTORIA CIR S	ELM GROVE	WI	53122	
411017	4UZAB2D71CCBJ8297	2012	VL	DP	3634	FL	8/8/2011	8/18/2011	FREEDOM	3735 E IRVINGTON RD		TUCSON	AZ	85714	HUNTER DAVID E	119 GLEN EATON DR	PAGOSA SPRINGS	CO	81447
411018	4UZCFH853CCBL5327	2012	VT	DP	4062	FL	8/16/2011	8/25/2011	FREEDOM	3735 E IRVINGTON RD		TUCSON	AZ	85714	JACOBSON WILLIAM P	8911 N W 7TH COURT	PEMBROKE	FL	33024
411020	4UZCFH857CCBL5332	2012	VT	DP	4346	FL	8/23/2011	9/1/2011	GUARANTY RV	20 HWY 99 SOUTH	PO BOX 279	JUNCTION CITY	OR	97448	FRANK LON	61535 SW HWY 97 #9236	BEND	OR	97702
411021	4UZCFH853CCBL5331	2012	VT	DP	4324	FL	8/22/2011	8/31/2011	SKY RIVER	6700 GOLDEN GATE DRIVE	SUITE B	DUBLIN	CA	94568-2910	ALBION PAMELA	SCOTTS VALLEY	CA	95067	
411022	4UZAB2D71CCBF5426	2012	VT	DP	3434	FL	8/24/2011	9/6/2011	SKY RIVER	6700 GOLDEN GATE DRIVE	SUITE B	DUBLIN	CA	94568-2910	COBB RICHARD T	OCEANSIDE	CA	92056	
411023	4UZCFH853CCBL5328	2012	VT	DP	4062	FL	8/25/2011	9/1/2011	SKY RIVER	6700 GOLDEN GATE DRIVE	SUITE B	DUBLIN	CA	94568-2910	FULLER FREDERICK E	125 REGAL DR	SANTA MARIA	CA	93454
411024	4UZAB2D75CCBH3380	2012	VL	DP	3862	FL	8/22/2011	9/7/2011	PROFESSIONAL SALES	1809 JOHN MCCAIN RD	PO BOX 1018	COLLEVILLE	TX	76034-6371	FARRIS JAMES	8903 ACHEIVE DR	AMARILLO	TX	79119
411025	4UZAB2D75CCBH3377	2012	VL	DP	3843	FL	8/25/2011	9/7/2011	PROFESSIONAL SALES	1809 JOHN MCCAIN RD	PO BOX 1018	COLLEVILLE	TX	76034-6371	KETTERING STEVE	8605 HUDSON ST	NORTH RICHLAND HILLS	TX	76180
411027	4UZAB2D79CCBH3379	2012	VL	DP	3843	FL	8/29/2011	9/9/2011	A & S RV	2375 OPDYKE RD		MI	48326	CONSTRUCTION SERVICE *	22900 SHAW RD	STERLING	VA	20166	
411028	4UZAB2D77CCBH3381	2012	VL	DP	3862	FL	8/31/2011	9/13/2011	HOLIDAY WORLD OF HOUSTON	28909 KATY FREEWAY		KATY	TX	77494					
411029	4UZAB2D70CCBH3383	2012	VL	DP	3862	FL	9/13/2011	9/26/2011	MOUNT COMFORT	5935 W 225 N		IN	46140	POTAMPA PHILIP	8968 E. OAK DR	BLOOMFIELD	IN	47424	
411030	4UZAB2D79CCBH3382	2012	VL	DP	3843	FL	9/14/2011	9/26/2011	NORTH TRAIL	LEE COUNTY RV SALES CO	5270 ORANGE RIVER BLVD	FORT MYERS	FL	33905-2750	FITZGERALD MARY S	6173 93RD ST E	BRADENTON	FL	34202
411031	4UZAB2D72CCBR4286	2012	VL	DP	3634	FL	9/20/2011	10/3/2011	MOUNT COMFORT	5935 W 225 N		IN	46140	BOWES JAMES R	1369 CR 597	CEDAR BLUFF	AL	35959	
411032	4UZAB2D74CCBR4287	2012	VL	DP	3634	FL	9/16/2011	9/28/2011	TOM LINDSTROM	5152 COMMERCIE AVE		MOORPARK	CA	93021-1761	RUSHTON JOHN	176 RANCHO ADOLFO	CAMARILLO	CA	93012
411033	4UZAB2D75CCBJ4642	2012	VL	DP	3862	FL	9/21/2011	10/5/2011	CRAIN RV										

411069	4U2FCH856CCBU7620	2012	VT	DP	4346	FL	1/30/2012	2/8/2012	HOLIDAY WORLD OF HOUSTON	28909 KATY FREEWAY	KATY	TX	77494	TOEPLER JON	155 RAINBOW DRIVE #5559	LIVINGSTON	TX	77399		
411070	4U2FCH85XCCBU7619	2012	VT	DP	4346	FL	1/31/2012	2/9/2012	HOLIDAY WORLD OF HOUSTON	28909 KATY FREEWAY	COLLEYSVILLE	TX	77494	WILSON TIMOTHY R	1803 COUNTY RD #130	HUTTO	TX	78634		
411072	4U2AB2D74CC856491	2012	VL	DP	3862	FL	2/9/2012	2/20/2012	PROFESSIONAL SALES	1809 JOHN MCCAIN RD	PO BOX 1018	KATY	TX	76034-6371	TOOP CHRIS	924 WABTHORNE DR	LEWISVILLE	TX	75077	
411073	4U2AB2D76CC8V6155	2012	VT	DP	3434	FL	3/8/2012	3/21/2012	NEWMAR	355 N DELAWARE ST	PO BOX 30	NAPPANEE	IN	46550-0030	HARWELL RICHARD E	1381 GRAND OAKS LN	HICKORY	NC	28602	
411074	4U2AB2D75CC8B1500	2012	VT	DP	3433	FL	2/1/2012	2/10/2012	NORTH TRAIL	LEE COUNTY RV SALES CO	5270 ORANGE RIVER BLVD	FORT MYERS	FL	33905-2750	RHICARDSON ROBERT	1207 CANTERBURY DRIVE	FORT MYERS	FL	33901	
411075	4U2AB2D74CC8V6154	2012	VT	DP	3433	FL	2/13/2012	2/22/2012	FREEDOM	3735 E IRVINGTON RD		TUCSON	AZ	85714	SMITH DONALD E	827 W. SIMS WAY	PORT TOWNSEND	WA	98368	
411076	4U2FCH854CC8B1505	2012	VT	DP	4346	FL	2/15/2012	2/27/2012	FREEDOM	3735 E IRVINGTON RD		TUCSON	AZ	85714	BRASTED GEORGE E	5077 CAMP RATHBURN RD	BATH	NY	14810	
411077	4U2FCH851DC8W9770	2013	VT	DP	4346	FL	2/20/2012	2/29/2012	STEINBRING	7390 COUNTY ROAD 82	PO BOX 160	GARFIELD	MN	56332	CARR JOHN	221 BARRINGTON CIRCLE	BATTLE CREEK	MI	49016	
411078	4U2AB2D70DC8Y4017	2013	VL	DP	3434	FL	3/13/2012	3/27/2012	NORTH TRAIL	LEE COUNTY RV SALES CO	5270 ORANGE RIVER BLVD	FORT MYERS	FL	33905-2750	REED ALAN R	36318 SANTELEAH DR	ZEPHYRHILLS	FL	33541	
411079	4U2AB2D76CC856492	2012	VT	DP	3862	FL	2/14/2012	2/23/2012	HOLIDAY WORLD OF HOUSTON	28909 KATY FREEWAY		KATY	TX	77494	GREGG JAMES	153 PROMENADE ST NORTH	MONTGOMERY	TX	77356	
411080	4U2AB2D76CC8B8326	2012	VT	DP	3433	FL	3/6/2012	3/19/2012	GOES DICK	14590 DUVAL PLACE WEST		JACKSONVILLE	FL	32218	SPANGLER JAMES R	256 N BRIDGE CREEK DR	ST JOHNS	TX	32259	
411081	4U2AB2D74CC8W1239	2012	VT	DP	3433	FL	3/6/2012	3/20/2012	NORTH TRAIL	LEE COUNTY RV SALES CO	5270 ORANGE RIVER BLVD	FORT MYERS	FL	33905-2750	LUPOMECH JOHN	12838 CHAMBERLAIN DRIVE	HOUTSON	TX	77077	
411082	4U2AB2D74CC8B8325	2012	VT	DP	3434	FL	3/2/2012	3/15/2012	NORTH TRAIL	LEE COUNTY RV SALES CO	5270 ORANGE RIVER BLVD	FORT MYERS	FL	33905-2750	GEURTS LUTGARDE	641 N GREENBAY DR	CORAL GABLES	FL	33134	
411083	4U2FCH858CC8B9681	2012	VT	DP	4043	FL	3/22/2012	4/13/2012	PROFESSIONAL SALES	1809 JOHN MCCAIN RD	PO BOX 1018	COLLEYSVILLE	TX	76034-6371	MILLS DANNY	6810 PROVIDENCE	COLLEYSVILLE	TX	76034	
411084	4U2AB2D78CC856493	2012	VL	DP	3843	FL	4/9/2012	4/19/2012	PROFESSIONAL SALES	1809 JOHN MCCAIN RD	PO BOX 1018	COLLEYSVILLE	TX	76034-6371	LEE CHRISTOPHER	2305 HEATHER GLENN DR	COLLEYSVILLE	TX	76034	
411085	4U2AB2D76CC850305	2012	VL	DP	3634	FL	4/11/2012	4/24/2012	PROFESSIONAL SALES	1809 JOHN MCCAIN RD	PO BOX 1018	COLLEYSVILLE	TX	76034-6371	REILLY ALAN	13991 COLVILLE CIRCLE	CARMEL	IN	46033	
411087	4U2AB2D78CC850306	2012	VL	DP	3634	FL	4/12/2012	4/25/2012	COACHLIGHT	5327 S GARRISON AVE		CARTHAGE	MO	64836	PETERSON BETTY J	1105 E. MORTON	JACKSONVILLE	IL	62650	
411088	4U2AB2D70CC8W1240	2012	VT	DP	3434	FL	4/13/2012	4/26/2012	PROFESSIONAL SALES	1809 JOHN MCCAIN RD	PO BOX 1018	COLLEYSVILLE	TX	76034-6371	GORMAN JOHN	10906 SAGEBURROW DR	HOUSTON	TX	77089	
411089	4U2AB2D70DC8Y2817	2012	VT	DP	3434	FL	5/1/2012	5/10/2012	BUDDY GREGG	BGMH ACQUISITION LLC	11730 SNYDER RD	KNOXVILLE	TN	37932	BUTTS JOHN	5319 DUNBAR DR	CROSSVILLE	TN	38572	
411092	4U2AB2D70DC856487	2013	VL	DP	3634	FL	5/9/2012	5/18/2012	FREEDOM	3735 E IRVINGTON RD		TUCSON	AZ	85714	MARTIN MICHELLE	201 E SOUTHERN AVE #142	APACHE JUNCTION	AZ	85119	
411093	4U2AB2D72DC8X5749	2013	VT	DP	3434	FL	5/4/2012	5/15/2012	GUARANTY RV	20 HWY 99 SOUTH	PO BOX 279	JUNCTION CITY	OR	97448	GITSCHHEL PAUL H	100 S 10690	FAIRBANKS	AK	99710	
411094	4U2AB2D72DC8Y2818	2013	VT	DP	3433	FL	5/10/2012	5/22/2012	GUARANTY RV	20 HWY 99 SOUTH	PO BOX 279	JUNCTION CITY	OR	97448	MOORE GILBERT	1132 CAMEL SPRINGS DR	WASHINGTON	UT	84780	
411096	4U2FCH852DC8M5543	2013	VT	DP	4018	FL	5/30/2012	6/7/2012	PROFESSIONAL SALES	1809 JOHN MCCAIN RD	PO BOX 1018	COLLEYSVILLE	TX	76034-6371	CORMIER DOUGLAS	165 CENTER POINT RD	WEATHERFORD	TX	76087	
411097	4U2FCH858CC8B9327	2013	VT	DP	4324	FL	5/23/2012	6/1/2012	PROFESSIONAL SALES	1809 JOHN MCCAIN RD	PO BOX 1018	COLLEYSVILLE	TX	76034-6371						
411101	4U2FCH850DC8M5542	2013	VT	DP	4018	FL	5/18/2012	5/30/2012	GUARANTY RV	20 HWY 99 SOUTH	PO BOX 279	JUNCTION CITY	OR	97448						
411102	4U2AB2D71DC8Z6212	2013	VT	DP	3634	FL	5/22/2012	5/31/2012	GUARANTY RV	20 HWY 99 SOUTH	PO BOX 279	JUNCTION CITY	OR	97448	CIBOROWSKI PAULA F	5985 YACHATS RIVER RD	YACHATS	OR	97498	
411105	4U2AB2D70DC8A2195	2013	VL	DP	3434	FL	6/4/2012	6/12/2012	WILKINS	7520 STATE ROUTE 415		BATH	NY	14810	WOOD WILLIAM	34826 CAPSTAN LANE	LEWES	DE	19958	
411106	4U2FCH853DC8X3173	2013	VT	DP	4038	FL	6/1/2012	6/11/2012	MIDWAY	5590 S DIVISION AVE		GRAND RAPIDS	MI	49548	BAKER JANICE	1026 FLORA VISTA	TRINITY	FL	34655	
411108	4U2FCH853DC8X5750	2013	VT	DP	4018	FL	6/4/2012	6/12/2012	HARPER	1200 E 10TH ST		GREAT BEND	KS	67530	HAFUGER GLENN	25007 J RD	WAKEENEY	KS	67672	
411109	4U2AB2D72DCFA6099	2013	VL	DP	3434	FL	6/12/2012	6/19/2012	DAVES RV	SIMSO DAVID W	2 INDUSTRIAL PARK PLAZA	DANBURY	CT	06810	RUZICKA RICHAHD	36 PYE LANE	WAPPINGERS FALLS	NY	12590	
411110	4U2AB2D72DC8Z9761	2013	VT	DP	3434	FL	6/21/2012	7/10/2012	CAMPING WORLD	13111 N BROADWAY EXT		OKLAHOMA CITY	OK	73114-2246	SMITH JOHANNA	223 N GUADALUPE #186	SANTA FE	NM	87501	
411111	4U2AB2D79DC8F2277	2013	VL	DP	3862	FL	7/12/2012	7/20/2012	HOLIDAY WORLD OF HOUSTON	28909 KATY FREEWAY		KATY	TX	77494	CANTRELL FRANKLIN	2714 STUART MNR	HOUSTON	TX	77082	
411112	4U2FCH850DC8Y2820	2013	VT	DP	4346	FL	6/19/2012	6/26/2012	HOLIDAY WORLD OF HOUSTON	28909 KATY FREEWAY		KATY	TX	77494	KORENEK LAWRENCE	PO BOX 728	HALLETTSVILLE	TX	77964	
411114	4U2AB2D76DC8T6389	2013	VL	DP	3843	FL	6/19/2012	6/27/2012	LISSO E	23486 COUNTY ROAD E34		ANAMOSA	IA	52205-7850						
411115	4U2AB2D76DC8F7047	2013	VL	DP	3434	FL	8/2/2012	8/13/2012	FREEDOM	3735 E IRVINGTON RD		TUCSON	AZ	85714	HOLLAND MARGARET	11004 BUENA VISTA	LEAWOOD	KS	66211	
411116	4U2FCH856DC8F0983	2013	VT	DP	4346	FL	8/15/2012	8/24/2012	FREEDOM	3735 E IRVINGTON RD		TUCSON	AZ	85714	PRESGRAVES STEPHEN	466 WOODY TRAIL CT SE	BOLIVA	NC	28422	
411118	4U2AB2D79DC8F80523	2013	VL	DP	3434	FL	6/21/2012	7/11/2012	TOM LINDSTROM	5152 COMMERCE AVE		MOORPARK	CA	93021-1761	COOK JOHN L	2533 RIDGEBROOK PL	THOUSAND OAKS	CA	91362	
411120	4U2FCH85XDC8F7049	2013	VT	DP	4346	FL	7/31/2012	8/9/2012	WILKINS	7520 STATE ROUTE 415		BATH	NY	14810	BRIGHTBILL CRAIG H	315 BACON RD	RED LION	PA	17356	
411121	4U2FCH859DC8F4966	2013	VT	DP	4346	FL	7/24/2012	8/2/2012	STEINBRING	7390 COUNTY ROAD 82	PO BOX 160	GARFIELD	MN	56332	BONAWEST REYNOLD J	1120 8TH ST N	MOORHEAD	MN	56560	
411123	4U2FCH852DC8F2279	2013	VT	DP	4018	FL	7/13/2012	7/23/2012	MIDWAY	5590 S DIVISION AVE		GRAND RAPIDS	MI	49548	AKEL RASMI	9880 VIA BERNINI	LAKE WORTH	FL	33467	
411124	4U2AB2D72DC8F80525	2013	VT	DP	3433	FL	8/6/2012	8/15/2012	GOES DICK	14590 DUVAL PLACE WEST		JACKSONVILLE	FL	32218						
411125	4U2FCH858DC8F0984	2013	VT	DP	4337	FL	8/16/2012	8/27/2012	STEINBRING	7390 COUNTY ROAD 82	PO BOX 160	GARFIELD	MN	56332	HALL MELVIN R	127 8TH ST SW	HIGHMORE	SD	57345	
411126	4U2FCH858DC8F4957	2013	VT	DP	4018	FL	8/3/2012	8/14/2012	PROFESSIONAL SALES	1809 JOHN MCCAIN RD	PO BOX 1018	COLLEYSVILLE	TX	76034-6371	WILKERSON WARREN	501 CRABAPPLE WAY	MCKINNEY	TX	75070	
411127	4U2AB2D71DC8F81603	2013	VT	DP	3434	FL	8/8/2012	8/17/2012	MIDSTATE CAMPERS	10400 RECREATIONAL DR		BLACK HAWK	SD	57718-8654	ELDER GARY	27268 297TH AVE	CARTER	SD	57580	
411128	4U2FCH859DC8F08502	2013	VT	DP	4018	FL	8/10/2012	8/21/2012	MIDSTATE CAMPERS	10400 RECREATIONAL DR		BLACK HAWK	SD	57718-8654	LINN JOE	1345 S. WOLCOTT	CASPER	WY	82601	
411129	4U2AB2D76DC8F4956	2013	VT	DP	3434	FL	8/13/2012	8/22/2012	GUARANTY RV	20 HWY 99 SOUTH	PO BOX 279	JUNCTION CITY	OR	97448	HEAVENSTON WILSON	1631 SARKSIAN DR N - PO BOX9	SEAL ROCK	OR	97376	
411131	4U2AB2D72DC8B3392	2013	VL	DP	3434	FL	7/30/2012	8/7/2012	MOUNT COMFORT	5935 W 225 N		GREENFIELD	IN	46140	MCMAHAN LARRY	6780 MOUNT ST	LAS VEGAS	NV	89131	
411132	4U2FCH853DC8F0049	2013	VT	DP	4018	FL	8/20/2012	8/29/2012	PROFESSIONAL SALES	1809 JOHN MCCAIN RD	PO BOX 1018	COLLEYSVILLE	TX	76034-6371	RHOADES KARON	607 RODEO DR	MT VERNON	TX	75457	
411134	4U2AB2D70DC8F2278	2013	VT	DP	3434	FL	8/22/2012	9/1/2012	GUARANTY RV	20 HWY 99 SOUTH	PO BOX 279	JUNCTION CITY	OR	97448	KRAMER KENDALL D	450 E. BERGESON RD	SHELTON	WA	98584	
411135	4U2FCH856DC8F1745	2013	VT	DP	4018	FL	8/29/2012	9/7/2012	GUARANTY RV	20 HWY 99 SOUTH	PO BOX 279	JUNCTION CITY	OR	97448	KNUDSON ROBERT G	3702 CARIBOU RD	ELLENSBURG	WA	98926	
411136	4U2AB2D72DC8F1743	2013	VT	DP	3434	FL	8/30/2012	9/10/2012	DESERT AUTOPLEX	KORGES ENTERPRISES INC	3335 E MAIN ST	MESA	AZ	85213-8607	WILHELM PETER	PO BOX 21539	WICKENBURG	AZ	85358	
411137	4U2AB2D72DC8F7933	2013	VT	DP	3634	FL	9/17/2012	9/26/2012	DESERT AUTOPLEX	KORGES ENTERPRISES INC	3335 E MAIN ST	MESA	AZ	85213-8607	WILBER PATRICIA	3179 KERNSHAWN PLACE	ESCONDIDO	CA	92029	
411138	4U2FCH853DC8F0127	2013	VT	DP	4018	FL	9/20/2012	10/3/2012	DESERT AUTOPLEX	KORGES ENTERPRISES INC	3335 E MAIN ST	MESA	AZ	85213-8607	BEJIAN CHARLES	3335 N CHESTNUT	MESA	AZ	85213	
411139	4U2AB2D74DC8F4955	2013	VL	DP	3862	FL	9/6/2012	9/14/2012	DESERT AUTOPLEX	KORGES ENTERPRISES INC	3335 E MAIN ST	MESA	AZ	85213-8607	MALEY QUINTIN T	26853 N 117TH PL	SCOTTSDALE	AZ	85262	
411140	4U2FCH85XDC8F0050	2013	VT	DP	4018	FL	8/27/2012	9/6/2012	GOES DICK	14590 DUVAL PLACE WEST		JACKSONVILLE	FL	32218	MICHAUD RICHARD J	21037 COUNTY CREEK DR	BOCA RATON	FL	33428	
411141	4U2FCH85XDC8F7418	2013	VT	DP	4018	FL	9/10/2012	9/19/2012	MOUNT COMFORT	5935 W 225 N		GREENFIELD	IN	46140	ARNETT BRUCE P	3275 CRESTVIEW DR	CUMMING	GA	30041	
411142	4U2AB2D78DC8F2147	2013	VT	DP	3433	FL	10/3/2012	10/11/2012	INDEPENDENCE	& SERVICE INC	12705 WEST COLONIAL DR	WINTER GARDEN	FL	34787	DECKER ROBERT A	1245 OLD FORT RD	FAIRVIEW	NC	28730	
411143	4U2AB2D72DC8A2196	2013	VT	DP	3634	FL	9/5/2012	9/13/2012	INDEPENDENCE	& SERVICE INC	12705 WEST COLONIAL DR	WINTER GARDEN	FL	34787	DE WOODY DANIEL	41 DEMENS STREET	OAKLAND	FL	34760	
411144	4U2AB2D76DC8F5861	2013	VT	DP	3434	FL	9/6/2012	9/17/2012	A & S RV	2375 OPDYKE RD		AUBURN HILLS	MI	48326	ZIEGLER JEFFREY A	28985 VAN HORN RD	NEW BOSTON	MI	48164	
411145	4U2AB2D74DC8F7415	2013	VT	DP	3433	FL	9/14/2012	9/24/2012	STEINBRING	7390 COUNTY ROAD 82	PO BOX 160	GARFIELD	MN	56332	JENSEN EVERETT H	5087 7TH AVE SE	INDEPENDENCE	IA	50644	
411146	4U2AB2D71DC8F0126	2013	VT	DP	3434	FL	9/21/2012	10/4/2012	BUDDY GREGG	BGMH ACQUISITION LLC	11730 SNYDER RD	KNOXVILLE	TN	37932						

411180	4U2FCHB57DCF8151	2013	VT	DP	4018	FL	11/29/2012	12/6/2012	HOLLAND	251 TRAVELERS WAY		SAN MARCOS	CA	92069-2797	MONEYMAKER PATRICK	15371 MIDLAND RD	POWAY	CA	92064	
411181	4U2AB2D78DCFE0046	2013	VL	DP	3433	FL	11/28/2012	12/5/2012	HOLLAND	251 TRAVELERS WAY		SAN MARCOS	CA	92069-2797	CROSS STEWART	PO BOX 1625	PALM SPRINGS	CA	92263	
411183	4U2AB2D76DCFG1896	2013	VT	DP	3434	FL	11/20/2012	11/30/2012	NORTH TRAIL	LEE COUNTY RV SALES CO	5270 ORANGE RIVER BLVD	FORT MYERS	FL	33905-2750	KOVACS LASZLO	1521 OWLS RETREAT	TARPON SPRINGS	FL	34688	
411184	4U2FCHB58DCFG0899	2013	VT	DP	4018	FL	12/3/2012	12/11/2012	TOM LINDSTROM	500 W LOS ANGELES AVE		MOORPARK	CA	93021	MCWILLIAMS DAVID C	2800 LAKERIDGE LN	WESTLAKE VILLAGE	CA	91361	
411185	4U2AB2D74DCFH5067	2013	VT	DP	3433	FL	1/21/2013	1/29/2013	GUARANTY RV	20 HWY 99 SOUTH	PO BOX 279	JUNCTION CITY	OR	97448	SPRAGUE THOMAS	290 ALITOS DRIVE	WATSONVILLE	CA	95076	
411186	4U2FCHB58DCFG0992	2013	VT	DP	4018	FL	12/17/2012	1/8/2013	ANCIRA	30500 IH-10 WEST		BOERNE	TX	78006	DHANDA RAHUL	2518 HUEBNER PARK	SAN ANTONIO	TX	78248	
411187	4U2AB2D78DCFE5859	2013	VL	DP	3434	FL	12/20/2012	1/14/2013	BECKLEYS	BECKLEYS ENTERPRISES INC	11109 ANGLEBERGER RD	THURMONT	MD	21788						
411188	4U2AB2D7XDCFG4686	2013	VT	DP	3434	FL	12/4/2012	12/12/2012	DESERT AUTOPEX	KORGES ENTERPRISES INC	3335 E MAIN ST	MESA	AZ	85213-8607	OTTE KENDEL J	201 W. HERMOSA DRIVE	ARTESIA	NM	88210	
411194	4U2FCHB54DCFG0990	2013	VT	DP	4018	FL	12/7/2012	12/17/2012	STEINBRING	7390 COUNTY ROAD 82	PO BOX 160	GARFIELD	MN	56332	MANTI THOMAS P	2708 A SOUTH SHORE DR	MILWAUKEE	WI	53207	
411195	4U2FCHB59ECFJ8899	2013	VT	DP	4018	FL	1/16/2013	1/24/2013	GUARANTY RV	20 HWY 99 SOUTH	PO BOX 279	JUNCTION CITY	OR	97448	MAYO STEPHEN M	1020 CANYON CREST DR	WANATCHEE	WA	98801	
411196	4U2AB2D72DCFH7223	2013	VT	DP	3434	FL	1/23/2013	1/31/2013	GORES DICK	14590 DUVAL PLACE WEST		JACKSONVILLE	FL	32218	DROLL MICHAEL A	3033 SW 92ND ST	GAINESVILLE	FL	32608	
411197	4U2AB2D73DCFJ8332	2013	VT	DP	3634	FL	1/28/2013	2/5/2013	PROFESSIONAL SALES	1809 JOHN MCCAIN RD	PO BOX 1018	COLLEVILLE	TX	76034-6371	LEAMON CHARLES	1050 CEDAR CREEK RD	ARGYLE	TX	76226	
411198	4U2AB2D72DCFH3624	2013	VT	DP	3434	FL	1/18/2013	1/28/2013	INDEPENDENCE	& SERVICE INC	12705 WEST COLONIAL DR	WINTER GARDEN	FL	34787	STANISLAWSKI ANDREW J	N2455 WHISPERING PINES RD	WAUPACA	WI	54981	
411199	4U2AB2D70ECFF9465	2014	VT	DP	3850	FL	1/31/2013	2/8/2013	CRAIN RV	CRAIN RV LLC	9801 I-30	LITTLE ROCK	AR	72209-3305	KOZODOY YURI	4997 BRIGHTON PLACE	MUKILTEO	WA	98275	
411202	4U2FCHC70ECFF9494	2014	VT	DP	4369	FL	2/5/2013	2/14/2013	PROFESSIONAL SALES	1809 JOHN MCCAIN RD	PO BOX 1018	COLLEVILLE	TX	76034-6371	LIGON LEE E	6301 S COUNTY RD 1065	MIDLAND	TX	79706	
411203	4U2FCHB54DCFJ3379	2013	VT	DP	4018	FL	1/9/2013	1/17/2013	INDEPENDENCE	& SERVICE INC	12705 WEST COLONIAL DR	WINTER GARDEN	FL	34787	HALLER JOHN J	216 CASPER DR	FORT WALTON BEACH	FL	32547	
411204	4U2AB2D78DCFH4112	2013	VT	DP	3434	FL	1/15/2013	1/23/2013	INDEPENDENCE	& SERVICE INC	12705 WEST COLONIAL DR	WINTER GARDEN	FL	34787	WOTTON CRAIG W	708 CUSHING RD	FRIENDSHIP	ME	42547	
411205	4U2AB2D70DCF80524	2013	VL	DP	3434	FL	2/18/2013	2/26/2013	PROFESSIONAL SALES	1809 JOHN MCCAIN RD	PO BOX 1018	COLLEVILLE	TX	76034-6371	LEFFEL DANIEL	7704 S. BALANTRAE DR	MCKINNEY	TX	75070	
411206	4U2AB2D74DCFE5860	2013	VL	DP	3434	FL	2/4/2013	2/13/2013	WILKINS	7520 STATE ROUTE 415		BATH	NY	14810	CORRUGHT JEFFREY E	3688 COLLEGE AVE	CORNING	NY	14830	
411207	4U2FCHB51ECFJ8900	2013	VT	DP	4018	FL	1/17/2013	1/25/2013	LASSO E	23486 COUNTY ROAD E34		ANAMOSA	IA	52205-7850	SMITH MARK E	3104 COUNTRY CLUB ROAD	WOODSTOCK	IL	60098	
411208	4U2AB2D71DCFE0048	2013	VL	DP	3862	FL	1/11/2013	1/21/2013	PROFESSIONAL SALES	1809 JOHN MCCAIN RD	PO BOX 1018	COLLEVILLE	TX	76034-6371	MITCHEK KELLY	730 BROADHEAD RD	WAXAHACHIE	TX	75165	
411211	4U2AB2D7XDCFJ8330	2013	VT	DP	3433	FL	2/7/2013	2/15/2013	FIFE	FIFE RV & AUTO CENTER INC	3520 PACIFIC HWY E	FIFE	WA	98424-1121	JOHNSON PHILLIP	16301 NE STATE HWY 305	POULSBORO	WA	98370	
411212	4U2FCHB57DCFJ8334	2013	VT	DP	4018	FL	1/8/2013	1/16/2013	FIFE	FIFE RV & AUTO CENTER INC	3520 PACIFIC HWY E	FIFE	WA	98424-1121	LEVY STEVE	13716 284TH AVE	GRAHAM	WA	98338	
411214	4U2AB2D72DCFH5066	2013	VT	DP	3434	FL	2/7/2013	2/18/2013	ST LOUIS	GMT AUTO SALES INC	1080 W TERRA LN	O FALLON	MO	63366-2318	STARK ENTERPRISES *	1500 VIRGINIA DALE	HELENA	MT	59601	
411215	4U2FCHB55ECFK1671	2013	VT	DP	4018	FL	2/8/2013	2/19/2013	TOM LINDSTROM	500 W LOS ANGELES AVE		MOORPARK	CA	93021	VERVOOD MORRIS D	95 VALLEY VISTA DR	CAMARILLO	CA	93010	
411216	4U2AB2D75DCFJ0992	2013	VT	DP	3434	FL	2/12/2013	2/20/2013	TOM JOHNSON	CENTER CHARLOTTE INC	1885 US 70 WEST	CONCORD	NC	28027-0120	GEHM KENNETH	400 E LECAPITAINE CIRCLE	GREEN BAY	WI	54302	
411217	4U2FCHB54ECFJ9877	2013	VT	DP	4018	FL	1/21/2013	1/29/2013	TOM JOHNSON	OF PANAMA CITY INC	4104 W 23RD ST	PANAMA CITY	FL	32405-1318	FRAZER KEN	228 FLORENCE CIRCLE	HERBER SPRINGS	AR	72543	
411218	4U2AB2D74DCFH7224	2013	VT	DP	3434	FL	2/14/2013	2/22/2013	HOLIDAY ON WHEELS	42775 PLEASANT RIDGE RD EXT	PO BOX 266	PONCHATOULA	LA	70454-4756	GUZZARDO CHARLES M	1101 DIVISION RD	DANDRIDGE	TN	37725	
411221	4U2AB2D75DCFJ8333	2013	VT	DP	3634	FL	2/15/2013	2/25/2013	BERRYLAND	42775 PLEASANT RIDGE RD EXT	PO BOX 266	PONCHATOULA	LA	70454-4756	PERIQU KELLY G	61043 POC RUN - PO BOX 957	AMITE	LA	70422	
411222	4U2FCHB53ECFK1670	2013	VT	DP	4038	FL	1/25/2013	2/4/2013	BERRYLAND	42775 PLEASANT RIDGE RD EXT	PO BOX 266	PONCHATOULA	LA	70454-4756	GRIFFIN MORRIS D	30164 ROUTE 408	ARNAUDVILLE	LA	70512	
411223	4U2AB2D76DCFE3416	2013	VL	DP	3634	FL	2/21/2013	3/4/2013	WILKINS	500 W LOS ANGELES AVE		BATH	NY	14810	GRIFFIN MORRIS D	30164 ROUTE 408	TOWNVILLE	PA	16360	
411224	4U2AB2D76ECFM1598	2013	VT	DP	3634	FL	3/12/2013	3/20/2013	TOM LINDSTROM	500 W LOS ANGELES AVE		MOORPARK	CA	93021	MACLEOD ROBERT M	2334 VISTA MADERA	SANTA BARBARA	CA	93101	
411225	4U2ACHD70ECFM3416	2013	VT	DP	3434	FL	4/15/2013	4/22/2013	WILKINS	500 W LOS ANGELES AVE		BATH	NY	14810	FRISK DENNIS	1610 NW BOULDER BROOK DR	ANKENY	IA	50023	
411226	4U2AB2D73DCFJ0991	2013	VT	DP	3434	FL	3/1/2013	3/12/2013	WILKINS	7520 STATE ROUTE 415		BATH	NY	14810	HOLDREN WILLIAM A	2608 MANOR DR	DERBY	NY	14047	
411227	4U2AB2D78ECFM1599	2013	VT	DP	3634	FL	3/14/2013	3/21/2013	DAVES RV	SIMSO DAVID W	2 INDUSTRIAL PARK PLAZA	DANBURY	CT	06810	PLOURDE JEANGUY C	11 BRADLEY STREET	PLAINVILLE	CT	6062	
411228	4U2AB2D77ECFL3952	2013	VT	DP	3634	FL	3/15/2013	3/25/2013	COACHUGHT	5327 S GARRISON AVE		CARTHAGE	MO	64836	DONOVAN DANIEL J	1705 REMINGTON	PLEASANT HILL	MO	64080	
411229	4U2FCHB5XECFK7062	2013	VT	DP	4018	FL	3/21/2013	4/1/2013	DESERT AUTOPEX	KORGES ENTERPRISES INC	3335 E MAIN ST	MESA	AZ	85213-8607	DONALDSON ROGER	101 N. 38TH STREET #43	MESA	AZ	85205	
411230	4U2FCHB57DCFJ0993	2013	VT	DP	4346	FL	3/7/2013	3/15/2013	DYLANDS	2190 DELSEA DR		SEWELL	NJ	08080-4238	TRAWINSKI ERROR L	3-33 LYNCREST AVE	FAIRLAWN	NJ	7410	
411231	4U2AB2D76ECFK7061	2013	VT	DP	3434	FL	3/14/2013	3/22/2013	TOM LINDSTROM	500 W LOS ANGELES AVE		MOORPARK	CA	93021	MORROW JAMES W	3376 RANCHWOOD ST	NEWBURN PARK	CA	91230	
411232	4U2AB2D79ECFJ9874	2013	VT	DP	3434	FL	4/1/2013	4/9/2013	ANCIRA	30500 IH-10 WEST		BOERNE	TX	78006	COOPER ROBERT A	1920 E. UNLAND RD	SAN MARLOS	TX	78666	
411233	4U2AB2D70ECFM1595	2013	VT	DP	3433	FL	3/25/2013	4/3/2013	SKY RIVER	6700 GOLDEN GATE DRIVE	SUITE B	DUBLIN	CA	94568-2910	KENNETH JON C	40 CAROLYN CT	LAFAYETTE	CA	94549	
411234	4U2AB2D77ECFJ8898	2013	VT	DP	3434	FL	3/26/2013	4/4/2013	SKY RIVER	SKY RIVER INC	2525 THEATRE DR	PASO ROBLES	CA	93446-9606	VALDEZ KAREN L	1614 CALIFORNIA TRAIL	BRENTWOOD	CA	94513	
411235	4U2FCHB50ECFK9239	2013	VT	DP	4018	FL	4/2/2013	4/10/2013	SKY RIVER	6700 GOLDEN GATE DRIVE	SUITE B	DUBLIN	CA	94568-2910	CARTER JOHN D	6740 CAMBRIA PINES RD	CAMBRIA	CA	93428	
411236	4U2AB2D71DCFJ8331	2013	VT	DP	3434	FL	3/26/2013	4/4/2013	FIFE	FIFE RV & AUTO CENTER INC	3520 PACIFIC HWY E	FIFE	WA	98424-1121	WORLEY STEVE	1571 40TH AVE NW	SALEM	OR	97304	
411237	4U2ACHD70ECFM1578	2013	VT	DP	3434	FL	4/15/2013	4/23/2013	GUARANTY RV	20 HWY 99 SOUTH	PO BOX 279	JUNCTION CITY	OR	97448	FOGGARY JAMES T	57 CAPROCK RD	CANON CITY	CO	81212	
411238	4U2ACHD78ECFM1350	2013	VT	DP	3434	FL	4/17/2013	4/25/2013	HOLLAND	251 TRAVELERS WAY		SAN MARCOS	CA	92069-2797	MARKSTEIN KENNETH W	PO BOX 354	RANCHO SANTA FE	CA	92067	
411239	4U2AB2D79ECFM1594	2013	VT	DP	3434	FL	3/20/2013	3/28/2013	HOLLAND	251 TRAVELERS WAY		SAN MARCOS	CA	92069-2797	HASKIN MILES L	13842 BARKER CIR	WESTMINSTER	CA	92683	
411240	4U2FCHB57ECFK9240	2013	VT	DP	4018	FL	4/9/2013	4/16/2013	TOM LINDSTROM	500 W LOS ANGELES AVE		MOORPARK	CA	93021	TYLER ALAN	25200 PINE CANYON RD	LAKE HUGHES	CA	93532	
411241	4U2AB2D72ECFL3003	2013	VT	DP	3434	FL	3/15/2013	3/22/2013	BATES	BATES SHOW SALES STAFF INC	4656 MCINTOSH RD	DOVER	FL	33527-4132	JOHNSON BRENDA	479 MEADOW LARK DRIVE	SARASOTA	FL	34236	
411242	4U2FCHB51ECFK7063	2013	VT	DP	4018	FL	3/22/2013	4/2/2013	PROFESSIONAL SALES	1809 JOHN MCCAIN RD	PO BOX 1018	COLLEVILLE	TX	76034-6371						
411243	4U2FCHB5XECFL3007	2013	VT	DP	4018	FL	4/22/2013	4/30/2013	CRAIN RV	CRAIN RV LLC	9801 I-30	LITTLE ROCK	AR	72209-3305	LUCKY CHEVROLET *	PO BOX 611	MCGHEE	AR	71654	
411244	4U2FCHB58ECFL3006	2013	VT	DP	4018	FL	4/9/2013	4/17/2013	HOLLAND	251 TRAVELERS WAY		SAN MARCOS	CA	92069-2797	UPTON JEFFREY	11959 HANDRICH DRIVE	SAN DIEGO	CA	92131	
411245	4U2AB2D70ECFJ9875	2013	VT	DP	3433	FL	4/4/2013	4/12/2013	GUARANTY RV	20 HWY 99 SOUTH	PO BOX 279	JUNCTION CITY	OR	97448	NOYES ELTON	16707 E. LAST TRAIL DR	FOUNTAIN HILLS	AZ	85268	
411247	4U2AB2D72ECFM1596	2013	VT	DP	3434	FL	4/10/2013	4/18/2013	AVALON	1604 MEDINA RD		MEDINA	OH	44256-8118	PINE BLAIR	4465 LONARD AVE	SAN HOSE	CA	95118	
411248	4U2FCHB59DCFJ0994	2013	VT	DP	4346	FL	4/11/2013	4/18/2013	AVALON	1604 MEDINA RD		MEDINA	OH	44256-8118	MATERA ANGELO P	359 JONATHAN DR	ROCHESTER HILLS	MI	48307	
411249	4U2AB2D74ECFL3004	2013	VT	DP	3434	FL	4/8/2013	4/15/2013	NORTH TRAIL	LEE COUNTY RV SALES CO	5270 ORANGE RIVER BLVD	FORT MYERS	FL	33905-2750	JAMES CALLAH *	415 N. LAST CHANCE GULCH SUITE 401	HELENA	MT	59601	
411251	4U2ACHD76ECFL1383	2013	VT	DP	3434	FL	4/11/2013	4/19/2013	DESERT AUTOPEX	KORGES ENTERPRISES INC	3335 E MAIN ST	MESA	AZ	85213-8607	LINDEMANN BILL	400 WEST BISMARK ST	FAN TAN VALLEY	AZ	85143	
411252	4U2ACHD71ECFM1349	2013	VT	DP	3434	FL	4/16/2013	4/24/2013	FREEDOM	3735 E IRVINGTON RD		TUCSON	AZ	85714	HOLDERNESS FRANK M	2902 GLENDALE DR	SIERRA VISA	AZ	85650	
411253	4U2ACHD7XECFM1351	2013	VT	DP	3634	FL	4/4/2013	4/11/2013	ST LOUIS	GMT AUTO SALES INC	1080 W TERRA LN	O FALLON	MO	63366-2318	LIPECKI JOHN	306 EAST KENILWORTH	PROSPECT HEIGHTS	IL	60070	
411254	4U2ACHD77ECFM3414	2013	VT	DP	3433	FL	4/18/2013	4/25/2013	NORTH TRAIL	LEE COUNTY RV SALES CO	5270 ORANGE RIVER BLVD	FORT MYERS	FL	33905-2750	RONDA LLC (RONALD KANE) *	124 W. PINE ST	MISSOULA	MT	59802	
411255	4U2FCHB53ECFK7064	2013	VT	DP	4018	FL	4/24/2013													

411291	4UZFCHY5ECFR1965	2014	VT	DP	4373	FL	6/6/2013	6/14/2013	NATIONAL INDOOR GA	NATIONAL INDOOR RV CENTERS LLC	4405 PAXTON LN SW	LILBURN	GA	30047-8422	STANTON CLIFTON	2800 E HWY 114 SUITE 210	ROANOKE	TX	76262	
411292	4UZFCHY7ECF56194	2014	VT	DP	4037	FL	6/19/2013	6/26/2013	NATIONAL INDOOR GA	NATIONAL INDOOR RV CENTERS LLC	4405 PAXTON LN SW	LILBURN	GA	30047-8422	MICHELETTI CARLO	PO BOX 742	FAIRFIELD	TX	75840	
411293	4UZAB2D7XECF53691	2014	VL	DP	3436	FL	6/25/2013	7/11/2013	DAVES RV	SIMSO DAVID W	2 INDUSTRIAL PARK PLAZA	DANBURY	CT	06810	DAVIS JOHN C	26 JEWEL LANE	NEW FAIRFIELD	CT	6812	
411294	4UZFCHY6ECFR7547	2014	VT	DP	4369	FL	7/8/2013	7/15/2013	INDEPENDENCE	& SERVICE INC	12705 WEST COLONIAL DR	WINTER GARDEN	FL	34787	FREDERICK LAWRENCE	126 MARTELL CT	JACKSONVILLE	FL	32259	
411295	4UZAB2D76ECFN9362	2014	VL	DP	3849	FL	6/14/2013	6/21/2013	BUDDY GREGG	BGMH ACQUISITION LLC	11730 SNYDER RD	KNOXVILLE	TN	37932	CASH DAVID	5125 CATALINA ROAD	KNOXVILLE	TN	51918	
411296	4UZFCHY9ECF51708	2014	VT	DP	4369	FL	7/8/2013	7/16/2013	BUDDY GREGG	BGMH ACQUISITION LLC	11730 SNYDER RD	KNOXVILLE	TN	37932	LARGE BRENT	608 MAGNOLIA VALE DR	CHATTANOOGA	TN	37419	
411297	4UZFCHY1ECFT3853	2014	VT	DP	4039	FL	8/29/2013	9/10/2013	AVALON	1604 MEDINA RD		MEDINA	OH	44256-8118	ELDERFIELD JIM	1550 WAKEFIELD DRIVE	HERMITAGE	PA	16148	
411298	4UZACHD79ECFP2686	2014	VT	DP	3436	FL	6/26/2013	7/12/2013	GORES DICK	14590 DUVAL PLACE WEST		JACKSONVILLE	FL	32218	BAILEY LLC *	2675 PALMER ST., STE F	MISSOULA	MT	59808	
411299	4UZACHD78ECFN9363	2014	VT	DP	3433	FL	7/9/2013	7/17/2013	GORES DICK	14590 DUVAL PLACE WEST		JACKSONVILLE	FL	32218	ROAMING WANTERERS LLC *	PO BOX 7967	MISSOULA	MT	59807	
411300	4UZFCHY1ECFN8011	2014	VT	DP	4037	FL	5/17/2013	5/29/2013	INDEPENDENCE	& SERVICE INC	12705 WEST COLONIAL DR	JACKSONVILLE	FL	34787						
411302	4UZAB2D71ECF53692	2014	VL	DP	3436	FL	6/26/2013	7/12/2013	LEISURE TIME	4901 S ANDERSON RD		OKLAHOMA CITY	OK	73150-3804	KRAUSE THOMAS	311 E. ASH ST	POND CREEK	OK	73766	
411303	4UZFCHY8ECFR4729	2014	VT	DP	4037	FL	6/12/2013	6/19/2013	LEISURE TIME	4901 S ANDERSON RD		OKLAHOMA CITY	OK	73150-3804	STONE STEPHEN E	1200 96TH AVE N.E.	NORMAN	OK	730216	
411304	4UZFCHY3ECFP4646	2014	VT	DP	4369	FL	6/12/2013	6/20/2013	LEISURE TIME	4901 S ANDERSON RD		OKLAHOMA CITY	OK	73150-3804	WEEDN JAMES	504 SUNSET DR	PURCELL	OK	73080	
411306	4UZAB2D78ECFN8004	2014	VL	DP	3436	FL	5/14/2013	5/23/2013	WILKINS	7520 STATE ROUTE 415		BATH	NY	14810	DAMORE ROBERT M	708 GLADSTONE ST	TOMS RIVER	NJ	8757	
411307	4UZFCHYXECFN8010	2014	VT	DP	4037	FL	5/6/2013	5/15/2013	NORTH TRAIL	LEE COUNTY RV SALES CO	5270 ORANGE RIVER BLVD	FORT MYERS	FL	33905-2750	DEVOE JOHN P	1510 NE 33RD CT	POMPANO BEACH	FL	33064	
411308	4UZFCHY5ECFN8013	2014	VT	DP	4369	FL	5/7/2013	5/16/2013	NORTH TRAIL	LEE COUNTY RV SALES CO	5270 ORANGE RIVER BLVD	FORT MYERS	FL	33905-2750	CHIODO ERROR I	432 SORRENTO DR	BRANCH	FL	34229	
411309	4UZACHD72ECFM6706	2014	VT	DP	3436	FL	5/8/2013	5/20/2013	NORTH TRAIL	LEE COUNTY RV SALES CO	5270 ORANGE RIVER BLVD	FORT MYERS	FL	33905-2750	RIZZUTO RICHARD P	692 LAKE SCENE DR	VENICE	FL	34293	
411310	4UZFCHY1ECFP4645	2014	VT	DP	4369	FL	5/15/2013	5/24/2013	WILKINS	7520 STATE ROUTE 415		BATH	NY	14810	KELLER JOHN	4009 PALM COURT	BRADENTON	FL	34208	
411311	4UZFCHY4ECFR7546	2014	VT	DP	4037	FL	6/7/2013	6/17/2013	PROFESSIONAL SALES	1809 JOHN MCCAIN RD	PO BOX 1018	COLLEEVILLE	TX	76034-6371	JONES ROBERT	1022 OAK HILL PARK	KENNEDALE	TX	76060	
411312	4UZACHD78ECFR4727	2014	VT	DP	3436	FL	7/15/2013	7/15/2013	GUARANTY RV	20 HWY 99 SOUTH	PO BOX 279	UNION CITY	OR	97448	CAIN JERRY L	3137 E. BEACH CIRCLE	BRADLEY	CA	93426	
411313	4UZACHD78ECF51650	2014	VT	DP	3433	FL	8/13/2013	8/22/2013	GUARANTY RV	20 HWY 99 SOUTH	PO BOX 279	JUNCTION CITY	OR	97448	CHURCHILL JEROME	506 HILLCREST DR	YREKA	CA	96097	
411314	4UZFCHY2ECFT1125	2014	VT	DP	4037	FL	7/23/2013	7/31/2013	GUARANTY RV	20 HWY 99 SOUTH	PO BOX 279	UNION CITY	OR	97448	MOES KEITH C	623 PIPER ST	INDEPENDENCE	CA	96097	
411315	4UZFCHY0ECF59499	2014	VT	DP	4373	FL	7/16/2013	7/24/2013	GUARANTY RV	20 HWY 99 SOUTH	PO BOX 279	JUNCTION CITY	OR	97448	WAKEFIELD DOUG	1680 ELK VALLEY	CRESIDENT CITY	CA	95331	
411316	4UZACHD74ECFR4725	2014	VT	DP	3433	FL	7/24/2013	8/1/2013	GUARANTY RV	20 HWY 99 SOUTH	PO BOX 279	JUNCTION CITY	OR	97448	WILLIAMSON ROBERT	4020 101ST ST CT NW	GIG HARBOR	WA	98332	
411317	4UZAB2D78ECF59487	2014	VL	DP	3433	FL	7/23/2013	7/31/2013	ST LOUIS	20 HWY 99 SOUTH	PO BOX 279	JUNCTION CITY	OR	97448	HOEM ELLING	3308 HIDDEN VALLEN DR N W	SALEM	OR	97304	
411318	4UZAB2D71ECF59492	2014	VL	DP	3845	FL	7/29/2013	8/5/2013	ST LOUIS	GMT AUTO SALES INC	1080 W TERRA LN	MO	63366-2318	HARMON BRAD E	10513 N 525TH ST	OBLONG	IL	62294		
411319	4UZAB2D78ECF56187	2014	VL	DP	3436	FL	7/15/2013	7/23/2013	GUARANTY RV	20 HWY 99 SOUTH	PO BOX 279	JUNCTION CITY	OR	97448	WARD FRANKLIN	1413 YOLANDA AVE	SPRINGFIELD	OR	97477	
411320	4UZFCHY9ECFP2688	2014	VT	DP	4037	FL	6/12/2013	6/20/2013	TOM LINDSTROM	500 W LOS ANGELES AVE		MOORPARK	CA	93021	JACOBSON HOWARD	1613 GRACE CT	CAMARILLO	CA	93010	
411321	4UZACHD76ECFR7545	2014	VT	DP	3436	FL	7/26/2013	8/5/2013	TOM LINDSTROM	500 W LOS ANGELES AVE		MOORPARK	CA	93021	MCGREGORY JAMES R	1440 BRAMBLIS CT	TEMPLETON	CA	93465	
411322	4UZAB2D71ECF53689	2014	VL	DP	3436	FL	6/18/2013	6/25/2013	TOM LINDSTROM	500 W LOS ANGELES AVE		MOORPARK	CA	93021	REA WILLIAM M	7815 EISENHOWER ST	VENTURA	CA	93003	
411323	4UZAB2D7XECF59488	2014	VL	DP	3433	FL	7/25/2013	8/2/2013	TOM LINDSTROM	500 W LOS ANGELES AVE		MOORPARK	CA	93021	TROWBRIDGE ROBERT W	5505 WELLESLEY DR	CALABASAS	CA	91302	
411324	4UZFCHY3ECF59495	2014	VT	DP	4037	FL	7/19/2013	7/29/2013	TOM LINDSTROM	500 W LOS ANGELES AVE		MOORPARK	CA	93021	HALLORAN RICHARD	1800 CULHAM DRIVE UNTI #121	BULLHEAD CITY	AZ	86442	
411325	4UZFCHY7ECF59497	2014	VT	DP	4037	FL	7/17/2013	7/26/2013	TOM LINDSTROM	500 W LOS ANGELES AVE		MOORPARK	CA	93021	MULGREN MARK W	381 ALAMO DR	VACAVILLE	CA	95688	
411326	4UZAB2D78ECFT1112	2014	VL	DP	3845	FL	8/2/2013	8/9/2013	DYLAN	2190 DELSEA DR		SEWELL	NJ	08080-4238	MATSCHEK DAVID	4187 N. ROUTE 220 HWY	LINDEN	PA	17544	
411327	4UZAB2D72ECFR3881	2014	VL	DP	3634	FL	8/7/2013	8/15/2013	GUARANTY RV	20 HWY 99 SOUTH	PO BOX 279	JUNCTION CITY	OR	97448	MILLER CARL	3812 DANVILLE DR	KILGORE	TX	75662	
411328	4UZAB2D78ECF59490	2014	VL	DP	3436	FL	7/30/2013	8/7/2013	GUARANTY RV	20 HWY 99 SOUTH	PO BOX 279	JUNCTION CITY	OR	97448	SNYDER RICHARD	1224 NAPA CREEK DR	EUGENE	OR	97404	
411329	4UZAB2D71ECFT6880	2014	VL	DP	3433	FL	8/12/2013	8/20/2013	GUARANTY RV	20 HWY 99 SOUTH	PO BOX 279	JUNCTION CITY	OR	97448	CASH LAURA L	PO BOX 1220	SCIO	OR	97374	
411330	4UZACHD70ECFT1122	2014	VT	DP	3436	FL	8/26/2013	9/5/2013	GUARANTY RV	20 HWY 99 SOUTH	PO BOX 279	JUNCTION CITY	OR	97448	HLEBECHUK DAVID D	1791 NE 19TH ST	GRRESHAM	OR	97300	
411331	4UZFCHY1ECFT8003	2014	VT	DP	4037	FL	8/23/2013	9/4/2013	GUARANTY RV	20 HWY 99 SOUTH	PO BOX 279	JUNCTION CITY	OR	97448	BODINE BRUCE	PO BOX 1122	TURLOCK	CA	95381	
411332	4UZACHD71ECFN1590	2014	VT	DP	3634	FL	7/30/2013	8/7/2013	GUARANTY RV	20 HWY 99 SOUTH	PO BOX 279	JUNCTION CITY	OR	97448	ANDERSON DAVID R	641 BAKER DR	CANBY	OR	97013	
411333	4UZAB2D74ECFT1110	2014	VL	DP	3436	FL	8/26/2013	9/4/2013	FIFE	FIFE RV & AUTO CENTER INC	3520 PACIFIC HWY E	FIFE	WA	98424-1121	MELMERS DAVID	11701 136TH AVE E	RYDALUP	WA	98374	
411334	4UZFCHY2ECF5946	2014	VT	DP	4037	FL	9/6/2013	9/16/2013	FIFE	FIFE RV & AUTO CENTER INC	3520 PACIFIC HWY E	FIFE	WA	98424-1121	HAWLEY ELMER F	PO BOX 134	RONALD	WA	98940	
411335	4UZACHD72ECFR1964	2014	VT	DP	3436	FL	8/20/2013	8/29/2013	HOLLAND	251 TRAVELERS WAY		SAN MARCOS	CA	92069-2797	ROHRE JERRY	PO BOX 73	CHAMA	NM	87520	
411336	4UZAB2D76ECF59486	2014	VL	DP	3433	FL	8/19/2013	8/27/2013	HOLLAND	251 TRAVELERS WAY		SAN MARCOS	CA	92069-2797	RUTLEDGE LEO H	30099 IRON HORSE DR	MURRIETTA	CA	92563	
411337	4UZACHD73ECFN1591	2014	VT	DP	3634	FL	8/21/2013	8/29/2013	HOLLAND	251 TRAVELERS WAY		SAN MARCOS	CA	92069-2797	VINATIERI RONALD	1717 N. 2ND AVE	UPLAND	CA	91784	
411338	4UZFCHY5ECFT6881	2014	VT	DP	4037	FL	8/22/2013	8/30/2013	HOLLAND	251 TRAVELERS WAY		SAN MARCOS	CA	92069-2797	MINAMYER MARK A	9783 BIRD CT	FOUNTAIN VALLEY	CA	92708	
411339	4UZFCHYXECFT3852	2014	VT	DP	4037	FL	8/22/2013	9/3/2013	HOLLAND	251 TRAVELERS WAY		SAN MARCOS	CA	92069-2797	HUFF VERN	PO BOX 447	FINLAND	NM	55603	
411340	4UZAB2D71ECF59489	2014	VL	DP	3436	FL	8/27/2013	9/6/2013	HOLLAND	251 TRAVELERS WAY		SAN MARCOS	CA	92069-2797	BACH RICHARD	1244 VENICE AVE	PLACENTIA	CA	92870	
411341	4UZFCHY9ECF59498	2014	VT	DP	4037	FL	7/10/2013	7/18/2013	STEINBRING	7390 COUNTY ROAD 82	PO BOX 160	GARFIELD	MN	56332	NIKKEL CARROL	28457 500TH AVE	MAXWELL	IA	50161	
411342	4UZAB2D70ECFV4223	2014	VL	DP	3847	FL	10/21/2013	10/30/2013	NORTH TRAIL	LEE COUNTY RV SALES CO	5270 ORANGE RIVER BLVD	FORT MYERS	FL	33905-2750	DAVIDSON CAROL J	5960 S WOODLAWN RD	PRESTON	IL	60113	
411343	4UZACHD73ECFP4644	2014	VT	DP	3436	FL	7/11/2013	7/19/2013	NORTH TRAIL	LEE COUNTY RV SALES CO	5270 ORANGE RIVER BLVD	FORT MYERS	FL	33905-2750	FREDERICK GLENDA	3191 DIEM WOODS DR	NEW HOLLAND	PA	17557	
411344	4UZACHD76ECFR4726	2014	VT	DP	3436	FL	7/25/2013	8/2/2013	NORTH TRAIL	LEE COUNTY RV SALES CO	5270 ORANGE RIVER BLVD	FORT MYERS	FL	33905-2750	*	1425 WEST OGDEN AVE	AURORA	IL	60504	
411345	4UZAB2D78ECF5950	2014	VL	DP	3847	FL	8/30/2013	9/11/2013	NORTH TRAIL	LEE COUNTY RV SALES CO	5270 ORANGE RIVER BLVD	FORT MYERS	FL	33905-2750	ROSKIN NORMAN	4910 SUNDOWN RD	LAYTONSVILLE	MO	20882	
411346	4UZFCHY5ECF56193	2014	VT	DP	4037	FL	6/20/2013	6/27/2013	NORTH TRAIL	LEE COUNTY RV SALES CO	5270 ORANGE RIVER BLVD	FORT MYERS	FL	33905-2750	PETERMAN RALPH D	14680 CRAZY HORSE LANE	PALM BEACH GARDEN	FL	33418	
411347	4UZFCHY0ECF56201	2014	VT	DP	4369	FL	7/18/2013	7/26/2013	NORTH TRAIL	LEE COUNTY RV SALES CO	5270 ORANGE RIVER BLVD	FORT MYERS	FL	33905-2750	BRELL JOSEPH	3344 SE 18 AVE	CAPE CORAL	FL	33904	
411348	4UZFCHY1ECFT6882	2014	VT	DP	4369	FL	8/8/2013	8/16/2013	NORTH TRAIL	LEE COUNTY RV SALES CO	5270 ORANGE RIVER BLVD	FORT MYERS	FL	33905-2750	CANTRELL CHRISTY L	619 SE 9TH PL	CAPE CORAL	FL	33990	
411351	4UZFCHY4ECFT9307	2014	VT	DP	4373	FL	8/8/2013	8/19/2013	TOM JOHNSON	CENTER CHARLOTTE INC	6700 BRUTON SMITH BLVD	CONCORD	NC	28027-0120	COLEMAN J	15109 HIGHWAY 3	HEBBVILLE	NS	B4V 6X4	
411352	4UZACHD75ECF56191	2014	VT	DP	3436	FL	8/16/2013	8/27/2013	TOM JOHNSON	CENTER CHARLOTTE INC	6700 BRUTON SMITH BLVD	CONCORD	NC	28027-0120	WARD GERALD D	452 GREY FOX DR	CHURCH HILL	TN	37642	
411353	4UZFCHY1ECF59494	2014	VT	DP	4037	FL	6/27/2013	7/15/2013	HOLIDAY WORLD OF HOUSTON	28909 KATY FREEWAY		KATY	TX	77494	DVORAK DAVID	PO BOX 1107	LAVERNA	TX	78121	
411354	4UZFCHY5ECF59496	2014	VT	DP	4037	FL	7/12/2013	7/22/2013	HOLLAND	251 TRAVELERS WAY		SAN MARCOS	CA	92069-2797	HARRIS ROBERT	4404 REGALO BELLO ST	LAS VEGAS	NV	89135	
411355	4UZAB2D74ECFR3882	2014	VL	DP	3845	FL	8/6/2013	8/16/2013	GUARANTY RV	20 HWY 99 SOUTH	PO BOX 279	JUNCTION CITY	OR	97448	SCHAIBLE JEFFREY H	1202 N 10TH PL #1406	RENTON	WA	98057	

411390	4UZACHDTXECFU5948	2014	VT	DP	3634	FL	10/3/2013	10/14/2013	MIDWAY	5590 S DIVISION AVE	GRAND RAPIDS	MI	49548	SADEGHI-A ARDALAN	1701 AMARILLO ST N W	NORTH CANTON	OH	44720
411391	4UZACHDT9ECFT1121	2014	VT	DP	3433	FL	9/12/2013	9/23/2013	HOLLAND	251 TRAVELERS WAY	SAN MARCOS	CA	92069-2797	ANDERSON THOMAS R	20 VIA RUBINO	NEWPORT COAST	CA	92657
411392	4UZAB2D79ECFV4222	2014	VL	DP	3634	FL	10/25/2013	11/4/2013	NORTH TRAIL	LEE COUNTY RV SALES CO	LEE COUNTY RV SALES CO	FL	33905-2750	STEINBAUER JOHN F	9840 SW 1ST STREET	PLANTATION	FL	33324
411393	4UZAB2D77ECFV7149	2014	VL	DP	3436	FL	10/22/2013	10/30/2013	NORTH TRAIL	LEE COUNTY RV SALES CO	FORT MYERS	FL	33905-2750	DREW JOHN	2780 B CANTERBURY CIRCL	PORC CLINTON	OH	43452
411394	4UZAB2D727ECFV7152	2014	VL	DP	3850	FL	11/18/2013	11/27/2013	NORTH TRAIL	LEE COUNTY RV SALES CO	FORT MYERS	FL	33905-2750	KALISH DEBORAH A	14121 TIVOLI TERR.	BONITA SPRINGS	FL	34135
411395	4UZAB2D72ECFV4224	2014	VT	DP	3845	FL	11/8/2013	11/18/2013	NORTH TRAIL	LEE COUNTY RV SALES CO	FORT MYERS	FL	33905-2750	FERRERA SANDRA L	5922 9TH AVE N	ST PETERSBURG	FL	33710
411396	4UZ2FCHY1ECFV8414	2014	VT	DP	4369	FL	11/18/2013	11/26/2013	NORTH TRAIL	LEE COUNTY RV SALES CO	FORT MYERS	FL	33905-2750	HARKLAU SCOTT R	9024 CHERRY OAKS TRAIL	NAPLES	FL	34114
411397	4UZ2FCHY7ECFV7154	2014	VT	DP	4369	FL	10/21/2013	10/30/2013	NORTH TRAIL	LEE COUNTY RV SALES CO	FORT MYERS	FL	33905-2750	WRIGHT RONALD	3101 VERNON RD	HARRINGTON	DE	19952
411398	4UZ2FCHY4ECFV4630	2014	VT	DP	4369	FL	11/19/2013	11/27/2013	NORTH TRAIL	LEE COUNTY RV SALES CO	FORT MYERS	FL	33905-2750	DAHL BLAKE C	522 138TH LN NE	HAM LAKE	MN	55304
411399	4UZ2FCHYXECFV5826	2014	VT	DP	4369	FL	11/19/2013	12/2/2013	NORTH TRAIL	LEE COUNTY RV SALES CO	FORT MYERS	FL	33905-2750	REAVES BEVERLY J	569 HONCOMING WAY	POLK CITY	FL	33868
411400	4UZ2FCHY4ECFV5759	2014	VT	DP	4369	FL	11/21/2013	12/3/2013	NORTH TRAIL	LEE COUNTY RV SALES CO	FORT MYERS	FL	33905-2750	J AND C EQUIPMENT LLC *	124 W. PINE ST	MISSOULA	MT	59802
411401	4UZ2FCHY3ECFV8415	2014	VT	DP	4369	FL	11/20/2013	12/2/2013	NORTH TRAIL	LEE COUNTY RV SALES CO	FORT MYERS	FL	33905-2750	FOWLER BRUCE L	71 PATTON HILL RD	TOWANDA	PA	18848
411402	4UZ2FCHY1ECFV5827	2014	VT	DP	4373	FL	11/25/2013	12/6/2013	NORTH TRAIL	LEE COUNTY RV SALES CO	FORT MYERS	FL	33905-2750	FRIEDRICH BERNHARD H	1033 NE 17TH WAY #1701	FT LAUDERDALE	FL	33304
411403	4UZ2FCHY5ECFV5754	2014	VT	DP	4037	FL	11/5/2013	11/13/2013	NORTH TRAIL	LEE COUNTY RV SALES CO	FORT MYERS	FL	33905-2750	FABRO WILLIAM A	5800 W SR 80 - LOT 308	FT DENAUD	FL	33935
411404	4UZ2FCHY7ECFV8006	2014	VT	DP	4037	FL	10/15/2013	10/24/2013	NORTH TRAIL	LEE COUNTY RV SALES CO	FORT MYERS	FL	33905-2750	GRIFFIN KENNETH E	1901 NEDDLEWOOD LN	THE VILLAGES	FL	32162
411405	4UZACHDT4ECFV4225	2014	VT	DP	3436	FL	10/9/2013	10/18/2013	NORTH TRAIL	LEE COUNTY RV SALES CO	FORT MYERS	FL	33905-2750	GASTON PAUL	36 HILLVIEW ESTATES	MORGANTOWN	WV	26501
411406	4UZACHDT6ECFV4226	2014	VT	DP	3436	FL	10/16/2013	10/25/2013	NORTH TRAIL	LEE COUNTY RV SALES CO	FORT MYERS	FL	33905-2750	WESTMORELAND KENNETH L	146 LARKSPUR LN	CULLOWHEE	NC	28723
411407	4UZACHDT7ECFV0777	2014	VT	DP	3634	FL	10/23/2013	11/1/2013	NORTH TRAIL	LEE COUNTY RV SALES CO	FORT MYERS	FL	33905-2750	JOHNSON HERBERT E	PO BOX 1077	MEREDITH	NH	3253
411408	4UZACHDT1ECFV8412	2014	VT	DP	3634	FL	10/24/2013	11/1/2013	NORTH TRAIL	LEE COUNTY RV SALES CO	FORT MYERS	FL	33905-2750	GANOS JOHN H	2360 8TH AVE	ST JAMES CITY	FL	33956
411409	4UZ2FCHY8ECFV0009	2014	VT	DP	4369	FL	11/21/2013	12/4/2013	NORTH TRAIL	LEE COUNTY RV SALES CO	FORT MYERS	FL	33905-2750	CROSSEY THOMAS	125 WESTWOOD CIR E.	WEST PALM BEACH	FL	33411
411410	4UZ2FCHY8ECFV0696	2014	VT	DP	4037	FL	10/4/2013	10/15/2013	BATES	BATES SHOW SALES STAFF INC	DOVER	PA	33527-4132	ANDERSON DAVID	15204 27TH CT E	PARRISH	FL	34219
411411	4UZACHDT8ECFV0694	2014	VT	DP	3436	FL	10/9/2013	10/18/2013	ANSLEY	1280 ROUTE 764	DUNCANSVILLE	PA	16635	SIMMONS DONALD C	105 SPINNAKER COURT	RIDGELEY	WV	26753
411415	4UZ2FCHY6ECFV0008	2014	VT	DP	4037	FL	11/11/2013	11/19/2013	TOM LINDSTROM	500 W LOS ANGELES AVE	MOORPARK	CA	93021	ROBERTS LARRY	9030 VIA TORTUGA	ATASCADERO	CA	93422
411416	4UZ2FCHY4ECFV0007	2014	VT	DP	4037	FL	11/4/2013	11/13/2013	TOM LINDSTROM	500 W LOS ANGELES AVE	MOORPARK	CA	93021	GOYETTE GERARD	9320 E ANTHONY RD	DAVISON	MI	48423
411417	4UZACHDT2ECFV0561	2014	VT	DP	3436	FL	9/23/2013	10/1/2013	NATIONAL INDOOR TR	NATIONAL INDOOR STORAGE I LLC	LEWISVILLE	TX	75057-4733	DARNEILL JIMMIE	13208 NW 5TH ST	YUKON	OK	73099
411418	4UZ2FCHY0ECFV1756	2014	VT	DP	4369	FL	11/2/2013	11/20/2013	APACHE	1120 FORT CROOK RD S	BELLEVUE	NE	68005-2937	ZOSKE LEASING SERVICES *	833 BROOKS HWY	IOWA	50126	
411419	4UZ2FCHYXECFV0122	2014	VT	DP	4037	FL	12/9/2013	12/17/2013	APACHE	1040 SALLITO ROAD	ROCA	NE	68430-4075					
411420	4UZAB2D7T7ECFV8021	2014	VL	DP	3847	FL	10/2/2013	10/11/2013	COACHLIGHT	5327 S GARRISON AVE	CARTHAGE	MO	64836	MCGRATH RON	843 WELLINGTON AVE	MONETT	MO	65708
411421	4UZ2FCHY5ECFV0778	2014	VT	DP	4037	FL	10/18/2013	10/29/2013	TOM LINDSTROM	500 W LOS ANGELES AVE	MOORPARK	CA	93021	GRAHAM TAMMY	4175 BIRCH BAY LYDEN RD #202	BLAINE	WA	98230
411422	4UZACHDT6ECFV0006	2014	VT	DP	3634	FL	12/4/2013	12/12/2013	GUARANTY RV	20 HWY 99 SOUTH	JUNCTION CITY	OR	97448	LOWERY ARNE	30400 SW BALD PEAK RD	HILLSBORO	OR	97123
411423	4UZ2FCHY9ECFV5756	2014	VT	DP	4369	FL	10/28/2013	11/5/2013	BUDDY GREGG	BGMH ACQUISITION LLC	KNOXVILLE	TN	37932	HASSLER ERNIE	3004 BUFFALO VALLY RD	COOKVILLE	TN	38501
411425	4UZ2FCHY2ECFV5758	2014	VT	DP	4369	FL	11/6/2013	11/14/2013	CRAIN RV	CRAIN RV LLC	LITTLE ROCK	AR	72209-3305	HARRIS LARRY	4563 HWY 3015	DELIGHT	AR	71940
411427	4UZACHDT7ECFV9133	2014	VT	DP	3436	FL	12/10/2013	12/18/2013	CRAIN RV	CRAIN RV LLC	LITTLE ROCK	AR	72209-3305	CIHLAR AMINDA	11 MADDELNE ANTHONY RD	DAHLONEGA	GA	30533
411429	4UZAB2D78ECFV4627	2014	VL	DP	3850	FL	11/11/2013	11/19/2013	CRAIN RV	CRAIN RV LLC	LITTLE ROCK	AR	72209-3305	TORINA ERIC M	715 LEGREEN ST	HOUSTON	TX	77008
411430	4UZ2FCHY9ECFV7155	2014	VT	DP	4360	FL	10/30/2013	11/7/2013	INDEPENDENCE	& SERVICE INC	WINTER GARDEN	FL	34787	MCPHALL WAYNE	PO BOX 233	ALANSON	MI	49706
411431	4UZ2FCHY7ECFV5755	2014	VT	DP	4037	FL	11/7/2013	11/15/2013	INDEPENDENCE	& SERVICE INC	WINTER GARDEN	FL	34787	AMAZON ALAN J	121 OAKMONT DRIVE	KERNERSVILLE	NC	27284
411432	4UZAB2D7ECFV0773	2014	VL	DP	3436	FL	11/12/2013	11/20/2013	HOLIDAY WORLD OF KATY	28909 KATY FREEWAY	KATY	TX	77494	CLINTON MARY W	376 CR 2000	SHELBYVILLE	TX	75973
411433	4UZAB2D77ECFV5753	2014	VL	DP	3847	FL	12/6/2013	12/16/2013	HOLIDAY WORLD OF KATY	28909 KATY FREEWAY	KATY	TX	77494	DICK STEPHEN J	20902 BARONSLEDGE LANE	KATY	TX	77449
411434	4UZ2FCHY6ECFV7279	2014	VT	DP	4037	FL	11/12/2013	11/21/2013	MIDWAY	5590 S DIVISION AVE	GRAND RAPIDS	MI	49548	BECKSV00RT SUSAN L	398 TROON CT	HOLLAND	MI	49423
411435	4UZ2FCHY2ECFV7280	2014	VT	DP	4036	FL	12/4/2013	12/12/2013	INDEPENDENCE	& SERVICE INC	WINTER GARDEN	FL	34787	COLEMAN JOSEPH D	1307 LAUREL RIDGE LANE	CHESAPEAKE	VA	23322
411436	4UZ2FCHY4ECFV4227	2014	VT	DP	4037	FL	10/17/2013	10/28/2013	INDEPENDENCE	& SERVICE INC	WINTER GARDEN	FL	34787	QUELLMATZ PATRICIA E	907 CEDAR LAKES DRIVE	GALENA	IL	61036
411437	4UZ2FCHY4ECFV1531	2014	VT	DP	4037	FL	11/14/2013	11/25/2013	COACHLIGHT	5327 S GARRISON AVE	CARTHAGE	MO	64836	HANSEN GARY L	6322 SOUTH RIDGE CROSSING	OZARK	MO	65721
411438	4UZ2FCHY6ECFV7282	2014	VT	DP	4037	FL	12/11/2013	12/19/2013	HOLIDAY WORLD OF KATY	28909 KATY FREEWAY	KATY	TX	77494	OROSCO LUIS R	2514 DEEP OAK CT	HOUSTON	TX	77059
411439	4UZ2FCHY8ECFV7283	2014	VT	DP	4369	FL	12/11/2013	12/19/2013	HOLIDAY WORLD OF KATY	28909 KATY FREEWAY	KATY	TX	77494	HILL BETTY R	13306 FM 359	HEMPSTED	TX	77445
411440	4UZ2FCHY0ECFV5757	2014	VT	DP	4377	FL	10/31/2013	11/8/2013	GUARANTY RV	20 HWY 99 SOUTH	JUNCTION CITY	OR	97448	DAWKINS CLIVER	1631 HARVET ST SE #04090	JEFFERSON	OR	97352
411441	4UZ2FCHY5ECFV0125	2014	VT	DP	4369	FL	12/12/2013	1/14/2014	NATIONAL INDOOR TR	NATIONAL INDOOR STORAGE I LLC	LEWISVILLE	TX	75057-4733	SANDERS STEVEN	411 WALNUT ST 10126	GREEN COVE SPRINGS	FL	32043-3443
411442	4UZ2FCHY3ECFV0780	2014	VT	DP	4369	FL	11/15/2013	11/25/2013	WILKINS	7520 STATE ROUTE 415	BATH	NY	14810	BROTHERS RALPH C	13 PINEWOOD HOLLOW RD	QUEENSBURG	NY	12804
411444	4UZ2FCHY4ECFV0010	2014	VT	DP	4369	FL	12/2/2013	12/10/2013	DIAMOND	188 WEST ST	WEST HATFIELD	MA	01088-9524	GRANGER ERIC	251 WILBRAHAM RD	MONSON	MA	1057
411445	4UZ2FCHY3ECFV0124	2014	VT	DP	4037	FL	12/12/2013	1/1/2014	DIAMOND	188 WEST ST	WEST HATFIELD	MA	01088-9524	BRADBURY EDWARD G	3 NECK RD	HAVERHILL	MA	1835
411446	4UZAB2D73ECFV0775	2014	VL	DP	3436	FL	11/25/2013	12/5/2013	DIAMOND	188 WEST ST	WEST HATFIELD	MA	01088-9524	SCHIEBENPFLUG JOHN	281 SCHOOL ST	MANCHESTER	CT	6040
411448	4UZAB2D77ECFV5859	2014	VL	DP	3849	FL	12/13/2013	1/13/2014	NATIONAL INDOOR TR	NATIONAL INDOOR STORAGE I LLC	LEWISVILLE	TX	75057-4733	DACOSTA FERNANDO	4725 STRAIT LANE	CARROLLTON	TX	75010
411450	4UZACHDT6ECFV8406	2014	VT	DP	3436	FL	12/12/2013	1/9/2014	FIFE	FIFE RV & AUTO CENTER INC	FIFE	WA	98424-1121	SHOUSE BRIAN K	9209 45TH AVE W	MUKILTEO	WA	98275
411454	4UZ2FCHY1ECFV0123	2014	VT	DP	4037	FL	12/17/2013	1/13/2014	BERRYLAND	42775 PLEASANT RIDGE RD EXT	PONCHATOLA	LA	70454-4756	PRESTRIDGE LARRY R	891 PHILADELPHIA RD	DEVILLE	LA	71328
411455	4UZAB2D71ECFV0774	2014	VL	DP	3436	FL	11/15/2013	11/26/2013	NATIONAL INDOOR TR	NATIONAL INDOOR STORAGE I LLC	LEWISVILLE	TX	75057-4733	WOOD KERRY T	1307 WAKEFIELD CT	SOUTHLAKE	TX	76092
411458	4UZAB2D74ECFV4625	2014	VL	DP	3436	FL	12/2/2013	12/11/2013	WILKINS	7520 STATE ROUTE 415	BATH	NY	14810	KNOWLTON SANDY	1196 DUTCH HILL ROAD	PINE CITY	NY	14871
411459	4UZ2FCHY7ECFV0126	2014	VT	DP	4369	FL	12/17/2013	1/13/2014	STEINBRING	7390 COUNTY ROAD 82	GARFIELD	MN	56332	WEGLEITER JOSEPH	1889 EVERETT BAY ROAD NORTH	TOWER	MN	55790
411463	4UZACHDT6ECFV24628	2014	VT	DP	3634	FL	1/9/2013	1/17/2014	MYERS	12024 CENTRAL AVE SE	ALBUQUERQUE	NM	87123-3002	LEVACY JIMMY	1203 W ROANWAY	HOBSBS	NM	88242
411465	4UZ2FCHYXECFV2033	2014	VT	DP	4037	FL	12/18/2013	1/14/2014	STEINBRING	7390 COUNTY ROAD 82	GARFIELD	MN	56332	WILCOX TOMMY L	1000 PADRE BLVD UNIT 901	SOUTH PADRE ISLAND	TX	78597
411467	4UZACHDT8ECFV8407	2014	VT	DP	3436	FL	12/3/2013	12/11/2013	HOLLAND	251 TRAVELERS WAY	SAN MARCOS	CA	92069-2797	FISH DAVID	39927 CAPLAND DR	PALM DALE	CA	93551
411471	4UZACHDT9ECFV8547	2014	VT	DP	3634	FL	12/18/2013	1/14/2014	TOM LINDSTROM	500 W LOS ANGELES AVE	MOORPARK	CA	93021	YABLAN BARBARA J	2953 KLAMATH AVE	SIMI VALLEY	CA	93063
411472	4UZACHDT9ECFV7153	2014	VT	DP	3433	FL	11/27/2013	12/10/2013	GORES DICK	14590 DUVAL PLACE WEST	JACKSONVILLE	FL	32218	FERNANDINA BEACH LLC *	PO BOX 7967	MISSOULA	MT	59808
411482	4UZACHDT4ECFV8405	2014	VT	DP	3436	FL	12/2/2013	12/10/2013	ANSLEY	1280 ROUTE 764	DUNCANSVILLE	PA	16635	SHOENFELT MELINDA	75 MARY ELLENS PLACE	INDIANA	PA	15701
411496	4UZACHDT8ECFV2203	2014	VT	DP	3634	FL	12/19/2013	1/15/2014	TOM JOHNSON	1885 US 70 WEST	MARION	NC	28752-7455	HOWARD JAMES	PO BOX 54	HARKERS ISLAND	NC	

603915	4VZBT1D968C063479	2008 DS	DP	4304 S	8/16/2007	8/28/2007	HARBERTSON	17028 US HWY 19 N	CLEARWATER	FL	33764	COLE STANLEY W	150 RUE DES CHATEAUX	TARPON SPRINGS	FL	34688
603916	4VZBT1D908C063137	2008 DS	DP	4317 S	8/7/2007	8/16/2007	HARBERTSON	17028 US HWY 19 N	CLEARWATER	FL	33764					
603917	4VZBT1D948C063139	2008 DS	DP	4355 S	8/7/2007	8/16/2007	HARBERTSON	17028 US HWY 19 N	CLEARWATER	FL	33764	DANIELS FRANK R	1360 SAGO CT	DUNEDIN	FL	34698
603918	4VZBR1D958C062919	2008 DS	DP	4023 S	8/8/2007	8/20/2007	TOM SCHAEFFERS	TRAVEL CENTER INC	1236 POTTSVILLE PIKE	PA	19555	MACKIN JOSEPHINE A	1131 E UPSAL ST	PHILADELPHIA	PA	19150-2601
603919	4VZBR1D9X8C062849	2008 DS	DP	4035 S	7/30/2007	8/9/2007	BRETZ	4800 GRANT CREEK RD	MISSOULA	MT	59808	CLOUD CONSULTING CO LLC *	3515 B LONGMORE DR.	COLLEGE STATION	TX	77845
603920	4VZBT1D938C062922	2008 DS	DP	4304 S	7/30/2007	8/8/2007	DIXIE RV	10241 DESTINATION DRIVE	HAMMOND	LA	70403					
603921	4VZBT1D998C063136	2008 DS	DP	4304 S	8/6/2007	8/15/2007	SAGON	172 VAN MAR BLVD	JACKSON	GA	30233	ADVENTURES LLC *	104 CIRCLE H DR	SHARPSBURG	GA	30277
603922	4VZBT1D908C063140	2008 DS	DP	4304 S	8/13/2007	8/22/2007	TRAVEL EASY	TRAVEL EASY RV INC	4299 HWY 441 SOUTH	OKEECHOBEE	FL	34974				
603923	4VZBR1D988C062980	2008 DS	DP	4023 S	8/8/2007	8/20/2007	RV SUPERSTORE	THE TERRY GROUP LLC	4467 E DANDELION	NV	89048	KURTH ROBERT O	6220 BRENT LANE	LAS VEGAS	NV	89131
603924	4VZBT1D958C063781	2008 DS	DP	4304 S	8/23/2007	9/5/2007	RV SUPERSTORE	THE TERRY GROUP LLC	4467 E DANDELION	NV	89048	ROSKOW LARRY	1300 PENN AVE	FLOURTOWN	PA	19031
603925	4VZBT1D948C063478	2008 DS	DP	4304 S	8/15/2007	8/27/2007	GUARANTY RV	20 HWY 99 SOUTH	PO BOX 279	OR	97448	POPOFF RICHARD	26819 GUNNISON GATE CIRCL	MEMPHIS	CA	92586
603926	4VZBT1D948C063142	2008 DS	DP	4304 S	8/14/2007	8/23/2007	TRAVEL EASY	TRAVEL EASY RV INC	4299 HWY 441 SOUTH	OKEECHOBEE	FL	34974				
603927	4VZBT1D918C063843	2008 DS	DP	4320 S	9/6/2007	9/18/2007	BRETZ	4800 GRANT CREEK RD	MISSOULA	MT	59808	UEHLIN RICHARD	714 WEST MILL	OBERLIN	KS	67749
603928	4VZBT1D928C063141	2008 DS	DP	4304 S	8/9/2007	8/21/2007	LEES RV CITY	13111 N BROADWAY EXT	OKLAHOMA CITY	OK	73114	THOMAS DANIEL W	7030 HWY 2 SP 4	COMMENCE CITY	CO	80022
603929	4VZBT1D928C063480	2008 DS	DP	4304 S	8/20/2007	8/29/2007	LEES RV CITY	13111 N BROADWAY EXT	OKLAHOMA CITY	OK	73114	PHILLIPS DAVID	5619 PHEASANT CREST RD	EDMOND	OK	73034
603930	4VZBT1D938C063052	2008 DS	DP	4354 S	8/2/2007	8/14/2007	INDEPENDENCE	& SERVICE INC	12705 WEST COLONIAL DR	FL	34787	SCHNIDER RON	223 EAST ROAD	COTTONWOOD	ID	83522
603931	4VZBR1D958C063777	2008 DS	DP	4024 S	9/13/2007	9/25/2007	TOM JOHNSON	1885 US 70 WEST	MARION	NC	28752					
603932	4VZBT1D988C064343	2008 DS	DP	4317 S	9/13/2007	9/25/2007	TOM JOHNSON	1885 US 70 WEST	MARION	NC	28752					
603933	4VZBT1D958C063053	2008 DS	DP	4304 S	8/2/2007	8/14/2007	STEINBRING	3710 SOUTH HIGHWAY 29	ALEXANDRIA	MN	56308	LEINENWEBER LEROY	69306 370TH STREET	ST JAMES	MN	56081
603934	4VZBT1D978C063779	2008 DS	DP	4317 S	8/21/2007	8/30/2007	BRETZ	4800 GRANT CREEK RD	MISSOULA	MT	59808	HARSHMAN VIC	8333 W PARK VIEW CT	PEORIA	AZ	85383
603935	4VZBT1D928C063138	2008 DS	DP	4304 S	8/13/2007	8/23/2007	LEES RV CITY	13111 N BROADWAY EXT	OKLAHOMA CITY	OK	73114	WOOD STEVE	7946 PALMBRO COURT	FRISCO	TX	75034
603936	4VZBR1D938C063051	2008 DS	DP	4023 S	8/9/2007	8/21/2007	CAPITAL	1900 N BISMARK EXPWY	BISMARCK	ND	58501	2544 CRONIN MARTY	16151 W WHITLOCK RD	GETTYSBURG	SD	57442
603937	4VZBR1D938C063776	2008 DS	DP	4023 S	9/12/2007	9/24/2007	INDEPENDENCE	& SERVICE INC	12705 WEST COLONIAL DR	FL	34787	LEWIS FEDERICA	201 ERIC DR	PALM COAST	FL	32164
603938	4VZBR1D998C063135	2008 DS	DP	4023 S	8/13/2007	8/22/2007	CAPITAL	1900 N BISMARK EXPWY	BISMARCK	ND	58501	2544 WHITE WILLIAM R	1800 MONTEGO DR	BISMARCK	ND	58503
603939	4VZBR1D948C063477	2008 DS	DP	4023 S	8/20/2007	8/29/2007	GUARANTY RV	20 HWY 99 SOUTH	PO BOX 279	OR	97448	GRUMMETT DUANE	PO BOX 520 - 501 MILLER CRES	WYNARD	SK	57T 388
603940	4VZBT1D978C063782	2008 DS	DP	4317 S	9/5/2007	9/17/2007	GUARANTY RV	20 HWY 99 SOUTH	PO BOX 279	OR	97448	MEREDITH DOUG	7185-194A STREET	SURREY	BC	V4N 3G6
603941	4VZBT1D9X8C063842	2008 DS	DP	4355 S	8/29/2007	9/10/2007	GUARANTY RV	20 HWY 99 SOUTH	PO BOX 279	OR	97448					
603942	4VZBT1D948C064341	2008 DS	DP	4317 S	9/10/2007	9/19/2007	LA MESA	LA MESA RV CENTER INC	7430 COPLEY PARK PLACE	CALIFORNIA	92111	1122 DELANEY JOE	310 N 9TH	FARIBURY	IL	61739
603943	4VZBT1D9X8C064344	2008 DS	DP	4317 S	9/18/2007	9/27/2007	LA MESA	101 EAST REDLANDS BLVD	SAN BERNARDINO	CA	92408	MORRISON ENT LTD *	BOX 5	CLAIRMONT	ME	TOH 0W0
603944	4VZBT1D988C064486	2008 DS	DP	4304 S	9/24/2007	10/3/2007	LA MESA	5200 CHILES RD	DAVIS	CA	95618	BRASETH STEVEN W	33577 CO RD 157	ULLEN	MN	56585
603945	4VZBR1D928C063476	2008 DS	DP	4023 S	8/16/2007	8/28/2007	LA MESA	6006 MIRAMAR ROAD	SAN DIEGO	CA	92121	LEAMONS DAVID L	3309 SILVER ARROW DR	LAKE HAVASU CITY	AZ	86406
603946	4VZBT1D968C063482	2008 DS	DP	4304 S	8/21/2007	8/30/2007	LA MESA	6006 MIRAMAR ROAD	SAN DIEGO	CA	92121	SHEPHARD DAVID P	2355 FOOTHILL BLVD #114	LAVERNE	CA	91750
603947	4VZBT1D958C063778	2008 DS	DP	4354 S	8/22/2007	9/4/2007	LA MESA	5200 CHILES RD	DAVIS	CA	95618	HALL JOHN E	4210 HILLCREST DRIVE	JASPER	IN	47546
603948	4VZBT1D938C063780	2008 DS	DP	4317 S	8/22/2007	9/4/2007	LA MESA	5200 CHILES RD	DAVIS	CA	95618	HILL RICHARD	6295 SOUTH SHORE	ANACORTES	WA	98221
603954	4VZBT1D938C063844	2008 DS	DP	4304 S	9/7/2007	9/19/2007	MIDWAY	5590 S DIVISION AVE	GRAND RAPIDS	MI	49548	SHELTON KEVIN	8666 OLD ORCHARD ROAD	WARREN	OH	44484
603955	4VZBR1D968C064338	2008 DS	DP	4023 S	9/19/2007	10/1/2007	ALOHA	8300 PAN AMERICAN FWY NE STE A	ALBUQUERQUE	NM	87113	DANIELS JOSEPH	1 WEGE MESA TRAIL	PLACITAS	NM	87043
603956	4VZBT1D958C063845	2008 DS	DP	4320 S	9/17/2007	9/26/2007	TRAVEL EASY	TRAVEL EASY RV INC	4299 HWY 441 SOUTH	FL	34974	CONKLE ALAN	133 CHERRY ST PO BOX 35	MILLBURY	OH	43447
603957	4VZBR1D918C063839	2008 DS	DP	4023 S	9/26/2007	10/9/2007	MIDWAY	5590 S DIVISION AVE	GRAND RAPIDS	MI	49548	TYMENSKY JOHN	48246 CEDARWOOD	NOVI	MI	48374
603958	4VZBR1D958C064413	2008 DS	DP	4023 S	10/3/2007	10/16/2007	WESTERN	NVER ENTERPRISES INC	19303 HWY 99	WA	98036	SMITH GERALD L	1882 DOLPHIN WAY	DISCOVERY BAY	CA	94505
603959	4VZBT1D968C064065	2008 DS	DP	4304 S	10/24/2007	11/5/2007	LEISURE TYME	6428 PENSACOLA BLVD	PENSACOLA	FL	32505	AMBROSIOUS JIM	5103 US HIGHWAY 8 -32	LA DONA	WI	54541
603960	4VZBT1D978C064415	2008 DS	DP	4320 S	10/1/2007	10/10/2007	MIDWAY	5590 S DIVISION AVE	GRAND RAPIDS	MI	49548	KUIPERS SIDNEY A	4846 24TH AVE	HUDSONVILLE	MI	49426
603961	4VZBT1D908C064417	2008 DS	DP	4320 S	10/2/2007	10/11/2007	INDEPENDENCE	& SERVICE INC	12705 WEST COLONIAL DR	FL	34787	THORP CHARLES	716 HULL ST	RICHMOND	VA	23224
603962	4VZBT1D908C064062	2008 DS	DP	4304 S	10/10/2007	10/22/2007	INDEPENDENCE	& SERVICE INC	12705 WEST COLONIAL DR	FL	34787	COOPER MARY B	170 SASSAFRAS LN	MYRRHY	NC	28906
603964	4VZBT1D948C064064	2008 DS	DP	4317 S	10/11/2007	10/23/2007	CAMPER COACHES	1701 S LOOP 289	LUBBOCK	TX	79423	PARKER RORY D	723 N MAIN	DENVER CITY	TX	79323
603966	4VZBR1D908C064741	2008 DS	DP	4055 S	10/11/2007	10/25/2007	DAVES RV	SIMSO DAVID W	2 INDUSTRIAL PARK PLAZA	CT	06810	TRAPINI ANTHONY E	490 COLDENHAM RD	WALDEN	NY	12586
603967	4VZBT1D9X8C064487	2008 DS	DP	4304 S	10/8/2007	10/17/2007	MOUNT COMFORT	5935 W 225 N	GREENFIELD	IN	46140	COURNOYER PIERRE	22 ROCHEFORT	ST ROBERT	QC	JQO 150
603968	4VZBR1D978C064414	2008 DS	DP	4023 S	10/4/2007	10/16/2007	MOUNT COMFORT	5935 W 225 N	GREENFIELD	IN	46140	LANTRIP RANDALL L	8279 E. CR 100 N	COATSVILLE	IN	46121
603969	4VZBT1D978C064818	2008 DS	DP	4317 S	10/29/2007	11/7/2007	GORES DICK	14590 DUVAL PLACE WEST	JACKSONVILLE	FL	32218	MILLER DONALD L	45113 BISMARK RD	COLLAHAN	FL	32011
603970	4VZBR1D928C064742	2008 DS	DP	4023 S	10/17/2007	10/30/2007	WALKER	HIGHWAY 122 WEST	NORA SPRINGS	IA	50458	KLOSTERBUER MAYNARD	10016 S 173RD CIRCL	OMAHA	NE	68136
603971	4VZBR1D988C064485	2008 DS	DP	4024 S	10/9/2007	10/18/2007	OLYMPIC RV	LEWIS ST TRAILER SALES INC	PASCO	WA	99301	CUNNINGHAM DIANE	6413 RAMA RD	RAMA	ON	LK0 170
603972	4VZBT1D928C064063	2008 DS	DP	4317 S	10/22/2007	10/31/2007	OUTDOOR LIVING	370 LAKE FRONT DRIVE	RUSSELLVILLE	AR	72801					
603975	4VZBR1D9X8C064813	2008 DS	DP	4023 S	10/23/2007	11/1/2007	GUARANTY RV	20 HWY 99 SOUTH	JUNCTION CITY	OR	97448	WALL WESLEY A	186 SUNRISE RD S W	MEDICINE HAT	AB	T18 451
603976	4VZBT1D918C064572	2008 DS	DP	4304 S	10/25/2007	11/6/2007	GUARANTY RV	20 HWY 99 SOUTH	JUNCTION CITY	OR	97448	TURMAN FRANK E	3700 S WESTPORT AVE #2894	SIoux FALLS	SD	57106
603977	4VZBT1D9X8C065316	2008 DS	DP	4304 S	10/30/2007	11/8/2007	DIXIE RV	10241 DESTINATION DRIVE	HAMMOND	LA	70403	GAUTREAUX VERNON	430 E CORNERVIEW	GONZALES	LA	70737
603978	4VZBT1D948C064744	2008 DS	DP	4317 S	10/25/2007	11/7/2007	TOM SCHAEFFERS	TRAVEL CENTER INC	1236 POTTSVILLE PIKE	PA	19555	MIDDLESTORY BRETT	6197 WEST 400 NORTH	MARION	IN	46952
603981	4VZBR1D969C062803	2009 DA	DP	4055 S	11/12/2007	11/28/2007	LA MESA	LA MESA RV CENTER INC	SAN DIEGO	CA	92111	1122 INVESTORS REGISTRY LLC *	1264 N 1270 EAST	AMERICAN FORK	UT	84003
603983	4VZBT1D928C064418	2008 DS	DP	4330 S	10/15/2007	10/24/2007	INDEPENDENCE	& SERVICE INC	12705 WEST COLONIAL DR	FL	34787	VUNNELL FRANK	3017 LACKLAND AVENUE	SPRINGHILL	FL	34608
603985	4VZBT1D968C064342	2008 DS	DP	4354 S	3/4/2008	3/19/2008	PROFESSIONAL SALES	1809 JOHN MCCAIN RD	COLLEGEVILLE	TX	76034	6371 JOHNSTONE GARY	#503 530 RAVEN WOODS DRIVE	NORTH VANCOUVER	BC	V7G 2T5
603986	4VZBR1D918C064814	2008 DS	DP	4023 S	10/31/2007	11/12/2007	NORTH TRAIL	LEE COUNTY RV SALES CO	FORT MYERS	FL	33905	BARRY DAVID	196 RAINBOW DR #628	LIVINGSTON	MI	77399-1096
603988	4VZBR1D988C064812	2008 DS	DP	4023 S	10/18/2007	11/1/2007	MIDWAY	5590 S DIVISION AVE	GRAND RAPIDS	MI	49548	MONTEL DICK	5126 E F-30, PO BOX 293	GREENBUSH	MI	48738
603989	4VZBT1D918C065494	2008 DS	DP	4320 S	11/12/2007	11/21/2007	WORLD WIDE	CRIST ROBERT & CO	4660 E MAIN ST	AZ	85205	PLAMONDON PAUL E	3600 GOVERNMENT RD S	TIMMINS	ON	P4R 1N4
603990	4VZBT1D958C065319	2008 DS	DP	4330 S	11/6/2007	11/15/2007	WORLD WIDE	CRIST ROBERT & CO	4660 E MAIN ST	AZ	85205	RADER THOMAS E	906 WARM SANDS DR SE	ALBUQUERQUE	NM	87123
603992	4VZBT1D918C065317	2008 DS	DP	4304 S	11/7/2007	11/19/2007	BRETZ	4800 GRANT CREEK RD	MISSOULA	MT	59808	FERGUSON JUDITH	4200 2ND AVE N	GREAT FALLS	MT	59401
603993	4VZBT1D938C065402	2008 DS	DP	4304 S	11/8/2007	11/20/2007	LEES RV CITY	13111 N BROADWAY EXT	OKLAHOMA CITY	OK	73114	HIX TERRY G	PO BOX 416	VAN ALSTYNE	TX	75495
603996	4VZBT1D958C065403	2008 DS	DP	4304 S	11/7/2007	11/19/2007	LEES RV CITY	13111 N BROADWAY EXT	OKLAHOMA CITY	OK	73114	BRYAN DAVID G	2036 CALLE PAJANO AZUL NW	ALBUQUERQUE	NM	87120
603997	4VZBT1D978C065404	2008 DS	DP	4317 S	11/13/2007	11/21/2007	INDEPENDENCE	& SERVICE INC	12705 WEST COLONIAL DR	FL	34787	ELLIOTT DAVID B	PO BOX 757	KAUFMAN	TX	75142
603998	4VZBT1D938C064816	2008 DS	DP	4304 S	11/5/2007	11/14/2007	INDEPENDENCE	& SERVICE INC	12705 WEST COLONIAL DR	FL	34787	GROSS LAWRENCE J				

604026	4VZBR1D948C065827	2008 DS	DP	4023 S	12/17/2007	1/14/2008 LEISURE TYME	6428 PENSACOLA BLVD	PENSACOLA	FL	32505 REID DANNY	531 PARKERSON RD	CLEVELAND	TX	77328	
604027	4VZBR1D988C065880	2008 DS	DP	4024 S	12/10/2007	12/19/2007 LEISURE TYME	6428 PENSACOLA BLVD	PENSACOLA	FL	32505					
604028	4VZBT1D918C065723	2008 DS	DP	4317 S	12/11/2007	1/8/2008 LEISURE TYME	6428 PENSACOLA BLVD	PENSACOLA	FL	32505					
604029	4VZBT1D968C065829	2008 DS	DP	4304 S	12/10/2007	1/9/2008 HARPER	1200 E 10TH ST	PO BOX 1993	PO BOX 1993	GREAT BEND	KS	67530 YOUNG GERALD	395 LANVALE RD NE	TX	28451
604030	4VZBT1D988C065881	2008 DS	DP	4304 S	12/13/2007	1/10/2008 COACHLIGHT	5327 S GARRISON AVE			CARTHAGE	MO	64836 FOX ROGER	253 RAINBOW DR. #15353	NC	77399
604037	4VZBT1D928C066430	2008 DS	DP	4317 S	1/21/2008	2/11/2008 HARBERTSON	17028 US HWY 19 N			CLEARWATER	FL	33764 FAHEY PETER R	22 CARLETON CT	VA	23061
604038	4VZBT1D918C065883	2008 DS	DP	4304 S	1/9/2008	1/21/2008 WALKER	HIGHWAY 122 WEST	PO BOX 633	PO BOX 633	NORA SPRINGS	IA	50458 SANKEY DONALD	6119 MYRTLE LANE	IL	61108-8136
604040	4VZBT1D958C066387	2008 DS	DP	4320 S	1/17/2008	1/30/2008 NORTH TRAIL	LEE COUNTY RV SALES CO	5270 ORANGE RIVER BLVD	5270 ORANGE RIVER BLVD	FORT MYERS	FL	33905 MORGAN DENNIS D	18330 TELEGRAPH CREEK LN	ALVA	FL 33920
604041	4VZBT1D978C066388	2008 DS	DP	4317 S	1/16/2008	1/29/2008 NORTH TRAIL	LEE COUNTY RV SALES CO	5270 ORANGE RIVER BLVD	5270 ORANGE RIVER BLVD	FORT MYERS	FL	33905 TREMBLAY JEAN M	1576 E LA PLACE-ROYALE RUE	FL	33920
604042	4VZBT1D998C066389	2008 DS	DP	4304 S	1/21/2008	2/11/2008 NORTH TRAIL	LEE COUNTY RV SALES CO	5270 ORANGE RIVER BLVD	5270 ORANGE RIVER BLVD	FORT MYERS	FL	33905 SMITH TERRY	202 PENICILLIN	NC	2816
604043	4VZBR1D9X8C066383	2008 DS	DP	4035 S	1/16/2008	1/30/2008 BALLARDS	S 5849 SOUTHWESTERN BLVD			HAMBURG	NY	14075 MILLER ERROR D	11931 RT 98 S	NY	14133
604044	4VZBT1D918C066385	2008 DS	DP	4320 S	1/14/2008	1/23/2008 NORTH TRAIL	LEE COUNTY RV SALES CO	5270 ORANGE RIVER BLVD	5270 ORANGE RIVER BLVD	FORT MYERS	FL	33905 BRIAND ROBERT	120 DES OUILLETS ST	QC	J8R 289
604045	4VZBT1D998C066506	2008 DS	DP	4317 S	1/28/2008	2/18/2008 WALKER	HIGHWAY 122 WEST	PO BOX 633	PO BOX 633	NORA SPRINGS	IA	50458 BERNAL JOHN	15 WALNUT GROVE ROAD	TX	78006
604048	4VZBT1D938C066386	2008 DS	DP	4317 S	1/15/2008	1/28/2008 SAGON	172 VAN MAR BLVD			JACKSON	GA	30233 LEITZ ROBERT	1751 SCANDIA ROAD	WI	54234
604049	4VZBR1D988C066382	2008 DS	DP	4023 S	1/16/2008	1/29/2008 GUARANTY RV	20 HWY 99 SOUTH	PO BOX 279	PO BOX 279	JUNCTION CITY	OR	97448 THOMAS DAVID G	2104 S 4	WA	98926
604050	4VZBT1D968C066432	2008 DS	DP	4304 S	1/22/2008	2/12/2008 AUTORAMA	GARNERS ED AUTORAMA RV	2227 SE 14TH	2227 SE 14TH	DES MOINES	IA	50320 FERRAIR MILO	3514 FLEUR DRIVE	IA	50321
604051	4VZBT1D948C066431	2008 DS	DP	4320 S	1/22/2008	2/13/2008 MIDWAY	5590 S DIVISION AVE			GRAND RAPIDS	MI	49548 PHILPOTT DAVID	606 WINDING BROOK DR	IN	46060
604052	4VZBT1D978C066505	2008 DS	DP	4355 S	1/28/2008	2/18/2008 MIDWAY	5590 S DIVISION AVE			GRAND RAPIDS	MI	49548 HAMOR ANDREW	4404 COFFEY CT	MI	48098
604056	4VZBT1D968C066592	2009 DA	DP	4331 S	2/14/2008	2/26/2008 LA MESA	LA MESA RV CENTER INC	7430 COPLEY PARK PLACE	7430 COPLEY PARK PLACE	SAN DIEGO	CA	92111-1122 PLAZA *	412 N CHELTON RD	CO	80909
604057	4VZBT1D908C066507	2008 DS	DP	4304 S	1/29/2008	2/19/2008 MOUNT COMFORT	4304 S 225 N			GREENFIELD	IN	46140 NUGENT INC	153 S HARDING ST	IN	46217
604058	4VZBT1D958C066552	2008 DS	DP	4355 S	1/29/2008	2/19/2008 DAVES RV	SIMSO DAVID W	2 INDUSTRIAL PARK PLAZA	2 INDUSTRIAL PARK PLAZA	DANBURY	CT	06810 COAKLEY DANIEL P	23 DINGLEBROOK LANE	NE	68700
604059	4VZBT1D978C066553	2008 DS	DP	4304 S	1/29/2008	2/19/2008 STEINBRING	3710 SOUTH HIGHWAY 29			ALEXANDRIA	MI	56308-2929 CARSTENSEN RICKY	502 CENTER ST	TX	6470
604060	4VZBR1D958C066551	2008 DS	DP	4055 S	2/13/2008	3/3/2008 FREEDOM	3735 E IRVINGTON RD			TUCSON	AZ	85714 RODERIQUE CHUCK	15560 N FRANK LLOYD WRIGHT BLVD	AZ	85260
604061	4VZBR1D938C066550	2008 DS	DP	4023 S	2/12/2008	2/27/2008 FREEDOM	3735 E IRVINGTON RD			TUCSON	AZ	85714 STUTZMAN DELORES A	715 LANSING DR	CO	80909-5417
604062	4VZBR1D968C066879	2008 DS	DP	4055 S	2/20/2008	3/12/2008 RV SUPERSTORE	THE TERRY GROUP LLC	4700 BOULDER HIGHWAY SUITE B	4700 BOULDER HIGHWAY SUITE B	LAS VEGAS	NV	89121 LEONHARDT STEVEN	PO BOX 1351	AL	T01 0Y0
604063	4VZBT1D928C066928	2008 DS	DP	4317 S	3/4/2008	3/19/2008 RV SUPERSTORE	THE TERRY GROUP LLC	4700 BOULDER HIGHWAY SUITE B	4700 BOULDER HIGHWAY SUITE B	LAS VEGAS	NV	89121 *	110 RAINBOW DR PMB 1030	LV	59807
604064	4VZBR1D998C066648	2008 DS	DP	4055 S	2/20/2008	3/11/2008 DAVES RV	SIMSO DAVID W	2 INDUSTRIAL PARK PLAZA	2 INDUSTRIAL PARK PLAZA	DANBURY	CT	06810 ELLIOTT RAYMOND J	285 HILL RD	TX	6791
604065	4VZBR1D958C066825	2008 DS	DP	4023 S	2/20/2008	3/12/2008 INDEPENDENCE	& SERVICE INC	12705 WEST COLONIAL DR	12705 WEST COLONIAL DR	WINTER GARDEN	FL	34787 (MARK SESSION * TICKNOR FAMILY TRUCK LLC	1507 SUNSET POINTE PLACE	FL	34744
604066	4VZBT1D908C066555	2008 DS	DP	4317 S	2/19/2008	3/5/2008 INDEPENDENCE	& SERVICE INC	12705 WEST COLONIAL DR	12705 WEST COLONIAL DR	WINTER GARDEN	FL	34787 (ROBERT J * CRITEL DICK	69382 770TH ST	IA	50837
604067	4VZBT1D908C066880	2008 DS	DP	4317 S	3/12/2008	4/2/2008 ARBOGAST	3540 S COUNTY RD 25 A	PO BOX 219	PO BOX 219	TROY	OH	45373	146 GINGER COVER	VA	23061
604068	4VZBT1D948C066784	2008 DS	DP	4317 S	3/11/2008	4/1/2008 LEES RV CITY	13111 N BROADWAY EXT			OKLAHOMA CITY	OK	73114 ZIMMERMAN DANIEL	8304 E OXFORD CIR	KS	67226
604071	4VZBT1D978C066651	2008 DS	DP	4304 S	3/3/2008	3/18/2008 LEES RV CITY	13111 N BROADWAY EXT			OKLAHOMA CITY	OK	73114 EUBANKS DAVID	3620 S W 127TH	OK	73170
604072	4VZBT1D988C066554	2008 DS	DP	4304 S	2/18/2008	3/5/2008 MOUNT COMFORT	5935 W 225 N			GREENFIELD	IN	46140 ROBINSON BRUCE D	1379 E 2000 N ROAD	IL	62568
604073	4VZBR1D948C067660	2008 DS	DP	4023 S	3/13/2008	4/7/2008 PROFESSIONAL SALE	1809 JOHN MCCAIN RD	PO BOX 1018	PO BOX 1018	COLLEYSVILLE	TX	76034-6371 HANEY MARSHALL	117 RIDGEVIEW DR	TX	75094
604075	4VZBR1D928C066930	2008 DS	DP	4055 S	2/25/2008	3/12/2008 LA MESA	LA MESA RV CENTER INC	7430 COPLEY PARK PLACE	7430 COPLEY PARK PLACE	SAN DIEGO	CA	92111-1122 DOMASIN RICHARD G	720 W KENNETH RD	TX	91202
604076	4VZBR1D948C066931	2008 DS	DP	4055 S	2/26/2008	3/13/2008 LA MESA	101 EAST REDLANDS BLVD			SAN BERNARDINO	CA	92408 SCHMIDT HELMUT	266 VILLA COURT	CA	95380
604077	4VZBR1D9X8C067016	2008 DS	DP	4035 S	2/26/2008	3/13/2008 INDEPENDENCE	& SERVICE INC	12705 WEST COLONIAL DR	12705 WEST COLONIAL DR	WINTER GARDEN	FL	34787 AUGUST ROBERT E	233 HARMONY LANE	FL	32780
604078	4VZBT1D958C066650	2008 DS	DP	4304 S	2/25/2008	3/12/2008 LEES RV CITY	13111 N BROADWAY EXT			OKLAHOMA CITY	OK	73114 GROVES GARY	13227 EAST 53RD STREET	AZ	85367
604079	4VZBT1D958C066826	2008 DS	DP	4317 S	3/12/2008	4/1/2008 RV SUPERSTORE	THE TERRY GROUP LLC	4700 BOULDER HIGHWAY SUITE B	4700 BOULDER HIGHWAY SUITE B	LAS VEGAS	NV	89121 SMITH DAVID C	204 N RACETRACK	NV	89015
604081	4VZBT1D928C066783	2008 DS	DP	4304 S	3/4/2008	3/19/2008 STEINBRING	3710 SOUTH HIGHWAY 29			ALEXANDRIA	MN	56308-2929			
604082	4VZBT1D948C066929	2008 DS	DP	4317 S	3/13/2008	4/7/2008 LEISURE TYME	6428 PENSACOLA BLVD			PENSACOLA	FL	32505			
604083	4VZBR1D918C067017	2008 DS	DP	4024 S	3/5/2008	3/31/2008 WALKER	HIGHWAY 122 WEST	PO BOX 633	PO BOX 633	NORA SPRINGS	IA	50458 MCCOMMAS HAL	7107 ALEXANDER	DALLAS	TX 75214
604084	4VZBT1D988C063841	2008 DS	DP	4304 S	3/17/2008	4/8/2008 TOM JOHNSON	1885 US 70 WEST			MARION	NC	28752 WEEKS ROGER A	9 NARROWS COURT	SC	29676
604085	4VZBT1D958C067720	2008 DS	DP	4304 S	3/17/2008	4/8/2008 LEES RV CITY	13111 N BROADWAY EXT			OKLAHOMA CITY	OK	73114 ADAMS KEN L	BOX 10164	AB	T9V 3A3
604086	4VZBT1D968C067662	2008 DS	DP	4304 S	3/17/2008	4/8/2008 NORTH TRAIL	LEE COUNTY RV SALES CO	5270 ORANGE RIVER BLVD	5270 ORANGE RIVER BLVD	FORT MYERS	FL	33905 TRUST *	18223 HOTTEL CIR	FL	33948
604087	4VZBR1D998C067718	2008 DS	DP	4035 S	3/17/2008	4/7/2008 STINNETT TOM	4800 GRANT CREEK RD	520 MARIOTT DRIVE	520 MARIOTT DRIVE	CLARKSVILLE	IN	47129 ERMKE PETER	BOX 190 PMB# 05020	OR	97352
604090	4VZBR1D908C067719	2008 DS	DP	4023 S	3/18/2008	4/9/2008 BRETZ	4800 GRANT CREEK RD			MISSOULA	MT	59808 BROWN JAMES W	411 N 6TH #1152	SD	57332
604091	4VZBT1D998C066652	2008 DS	DP	4354 S	4/1/2008	4/15/2008 SAGON	172 VAN MAR BLVD			JACKSON	GA	30233 GATES GERALD W	3020 W CO RD 350 N	IN	47567
604092	4VZBT1D958C067796	2008 DS	DP	4317 S	4/1/2008	4/15/2008 SIERRA RV	AMERICAN RV RENTALS INC	9125 S VIRGINIA ST	9125 S VIRGINIA ST	RENO	NV	89511 KAY CHAD M	483 TULAROSA CT	RENO	NV 89511
604093	4VZBT1D908C067771	2008 DS	DP	4330 S	3/31/2008	4/14/2008 INDEPENDENCE	& SERVICE INC	12705 WEST COLONIAL DR	12705 WEST COLONIAL DR	WINTER GARDEN	FL	34787 GULA ANNIE M	11541 SW ROSSANO LANE	FL	34952
604094	4VZBR1D989C067808	2009 DS	DP	4086 S	4/10/2008	4/23/2008 COACHLIGHT	5327 S GARRISON AVE			CARTHAGE	MO	64836 KREKEL MARVIN	514 AMERICAS WAY, PMB 4227	SD	57439
604096	4VZBR1B959C067669	2009 DS	DP	4023 S	4/8/2008	4/21/2008 BECKLEYS	BECKLEYS ENTERPRISES INC	11109 ANGLEBERGER RD	11109 ANGLEBERGER RD	THURMONT	MD	21788 SMITH WILLIAM M	PO BOX 26	VA	22518
604099	4VZBR1D999C068689	2009 DS	DP	4043 S	5/21/2008	6/10/2008 SAGON	172 VAN MAR BLVD			JACKSON	GA	30233 D MARKETING * 76035 ROBBINS PHIL	264 HIGHLAND PARK BLVD	PA	18702
604101	4VZBR1B9X9C067960	2009 DS	DP	4086 S	5/5/2008	5/19/2008 VOGT	1809 JOHN MCCAIN RD	PO BOX 1018	PO BOX 1018	COLLEYSVILLE	TX	76035 ROBBINS PHIL	2201 LONG PRAIRIE ROAD #107-261	FL	75022
604103	4VZBR1B979C067673	2009 DS	DP	4086 S	4/17/2008	4/29/2008 CAMPER COACHES	1701 S LOOP 289			LUBBOCK	TX	79423 ADCOCK TERRY	1309 C R M	TX	79331
604104	4VZBR1D949C068633	2009 DS	DP	4086 S	5/19/2008	5/29/2008 CAMPER COACHES	1701 S LOOP 289			LUBBOCK	TX	79423 MOYERS WALLY	11302 HWY 84 UNIT 110	TX	79363
604105	4VZBR1B959C067963	2009 DS	DP	4086 S	5/6/2008	5/19/2008 ALOHA	8300 PAN AMERICAN FWY NE STE A			ALBUQUERQUE	NM	87113 FENWICK CECIL	2400 25TH STREET	NC	V1T 4P5
604106	4VZBR1B939C067962	2009 DS	DP	4055 S	5/14/2008	5/28/2008 ALOHA	8300 PAN AMERICAN FWY NE STE A			ALBUQUERQUE	NM	87113 GONZALES RALPH	410 ARROW ROAD	NM	87701
604107	4VZBR1D959C067975	2009 DS	DP	4055 S	4/28/2008	5/7/2008 GORES DICK	14590 DUVAL PLACE WEST			JACKSONVILLE	FL	32218 RODGERS MICHAEL	2457 DAVIS RD	FL	32218
604110	4VZBR1D909C067897	2009 DS	DP	4055 S	4/23/2008	5/6/2008 HOWARD RV	HOWARD RV CENTER (DBA)	6811 MARKET ST	6811 MARKET ST	WILMINGTON	NC	28405 MILLER RICHARD A	1620 CHADWICK SHORES RD	NC	28460
604113	4VZBR1D969C068035	2009 DS	DP	4055 S	5/2/2008	5/14/2008 BRETZ	4800 GRANT CREEK RD			MISSOULA	MT	59808 STEVENS RICHARD L	6477 HWY 93, BOX 359	MT	59937
604114	4VZBR1D939C067862	2009 DS	DP	4084 S	4/21/2008	4/30/2008 MOUNT COMFORT	5935 W 225 N			GREENFIELD	IN	46140 MILLER PAUL A	856 HORIZON DR	PA	15824
604115	4VZBR1D989C068635	2009 DS	DP	4084 S	5/20/2008	5/30/2008 NORTH TRAIL	LEE COUNTY RV SALES CO	5270 ORANGE RIVER BLVD	5270 ORANGE RIVER BLVD	FORT MYERS	FL	33905 PAYETTE JOSEPH	7043 PARK CIRCLE	NC	27817
604116	4VZBR1D929C068100	2009 DS	DP	4055 S	5/12/2008	5/22/2008 NORTH TRAIL	LEE COUNTY RV SALES CO	5270 ORANGE RIVER BLVD	5270 ORANGE RIVER BLVD	FORT MYERS	FL	33905 SCOTT JAMES L	10297 SARAH JEAN DR	MI	48169
604117	4VZBR1D999C067977	2009 DS	DP	4086 S	4/30/2008	5/12/2008 WALKER	HIGHWAY 122 WEST	PO BOX 633	PO BOX 633	NORA SPRINGS	IA	50458 GONSETH DON	1054 HARKIN HILLS DR	IA	50213
604118	4VZBR1D959C068687	2009 DS	DP	4086 S	5/20/2008	6/9/2008 MIDWAY	5590 S DIVISION AVE			GRAND RAPIDS	MI	49548 JENNINGS ORLAN V	401 E 8TH ST STE 214-687	SD	57103
604119	4VZBR1D979C067895	2009 DS	DP	4055 S	4/22/2008	5/5/2008 LEES RV CITY	13111 N BROADWAY EXT			OKLAHOMA CITY	OK	73114 MOORE RONALD G	21685 HORSESHOE RD	OK	73012
604120	4VZBR1D9X9C067809														

604149	4VZBR1D979C069792	2009 DS	DP	4055 S	8/12/2008	9/16/2008	GORES DICK	14590 DUVAL PLACE WEST	JACKSONVILLE	FL	32218	BROWNING BARNEY H	4014 BESSENT RD	JACKSONVILLE	FL	32218
604151	4VZBR1D997C069824	2009 DS	DP	4043 S	8/27/2008	9/23/2008	MOUNT COMFORT	5935 W 225 N	GREENFIELD	IN	46140	GETTYS JOHN R	495 MILLER RD	ABBEVILLE	AL	36310
604152	4VZBR1D989C070059	2009 DS	DP	4043 S	8/26/2008	9/22/2008	LEES RV CITY	13111 N BROADWAY EXT	OKLAHOMA CITY	OK	13111	GALLANT ROGER	73114 GALLANT ROGER	CAMDEN	NC	27921
604153	4VZBR1D909C069794	2009 DS	DP	4043 S	8/11/2008	9/16/2008	BALLARDS	S 5849 SOUTHWESTERN BLVD	HAMBURG	NY	14075	FORTIN DOMINIC	4900 10 EME RUE SARTIGAN	SAINT GEORGES	PQ	G5Y 588
604154	4VZBR1D999C069793	2009 DS	DP	4055 S	8/7/2008	9/4/2008	COACHLIGHT	5327 S GARRISON AVE	CARTHAGE	MO	64836	SCHIBER ROBERT L	103 ACORN LANE	HARTFORD	IL	62048
604155	4VZBR1D949C070060	2009 DS	DP	4010 S	8/27/2008	9/23/2008	GUARANTY RV	20 HWY 99 SOUTH	JUNCTION CITY	OR	97448	KACHERGIUS RONALD G	17042 SW STELLAR DR	SHERWOOD	OR	97140
604158	4VZBT1D979C069809	2009 DS	DP	4386 S	9/3/2008	9/25/2008	STEINBRING	7390 COUNTY ROAD 82	GARFIELD	MN	56332	KRAMER DOUG	1518 160TH AVE	BEJUO	MN	56516
604159	4VZBR1D979C070084	2009 DS	DP	4086 S	9/16/2008	10/7/2008	WALKER	HIGHWAY 122 WEST	NORA SPRINGS	IA	50458	JURRENS BRUCE R	1215 S ST 5	MASON CITY	IA	50401
604160	4VZBT1D929C069846	2009 DS	DP	4386 S	9/23/2008	10/14/2008	INDEPENDENCE	12705 WEST COLONIAL DR	WINTER GARDEN	FL	34787	WISE EDWARD	14200 ROYAL HARBOR COURT #304	FORT MYERS	FL	33908
604161	4VZBT1D949C069847	2009 DS	DP	4386 S	9/23/2008	10/27/2008	GORES DICK	14590 DUVAL PLACE WEST	JACKSONVILLE	FL	32218	DUTTON HAROLD E	24386 GODWIN SCHOOL RD	MILLSBORO	DE	19966
604162	4VZBR1D909C070153	2009 DS	DP	4010 S	10/6/2008	10/28/2008	STEINBRING	7390 COUNTY ROAD 82	GARFIELD	MN	56332	IVENY LARRY	195 SILVER BROOK RD NW	CALGARY	AB	T38 3H9
604163	4VZBT1D999C069884	2009 DS	DP	4333 S	10/7/2008	10/28/2008	STEINBRING	7390 COUNTY ROAD 82	GARFIELD	MN	56332	PATCH BRUCE	405 E LINDA AVE	BELOIT	WI	53511
604164	4VZBT1D979C070179	2009 DS	DP	4084 S	10/14/2008	11/5/2008	JEFF'S RV SUPERSTORE	RV SUPERSTORE OF MOCKSVILLE DBA	GARFIELD	NC	27028	TULLOCK CARL D	663 BEAUCHAMP RD	ADVANCE	NC	27006
604165	4VZBT1D919C069885	2009 DS	DP	4386 S	10/9/2008	10/30/2008	JEFF'S RV SUPERSTORE	RV SUPERSTORE OF MOCKSVILLE DBA	MOCKSVILLE	NC	27028	KOELSCH WILLIAM	490 PAR DRIVE	FROST PROOF	FL	33843
604166	4VZBT1D999C069889	2009 DS	DP	4333 S	10/9/2008	11/3/2008	JEFF'S RV SUPERSTORE	RV SUPERSTORE OF MOCKSVILLE DBA	MOCKSVILLE	NC	27028	ESTEBAN LAWRENCE	150 JEFFERY ST	BOCA ROTON	FL	33487
604167	4VZBR1D979C067671	2009 DS	DP	3623 S	10/13/2008	11/4/2008	LEES RV CITY	13111 N BROADWAY EXT	OKLAHOMA CITY	OK	73114	WOODRUFF JAMES	375 HEIDI DR	MORGAN HILL	CA	95037
604168	4VZBT1D959C069890	2009 DS	DP	4386 S	10/28/2008	11/26/2008	INDEPENDENCE	12705 WEST COLONIAL DR	WINTER GARDEN	FL	34787	SCHNIEDER BOB	4189 MUGGY RD	PORT CLINTON	OH	43452
604169	4VZBR1D949C070351	2009 DS	DP	4055 S	10/27/2008	11/25/2008	INDEPENDENCE	12705 WEST COLONIAL DR	WINTER GARDEN	FL	34787	TREVISOL DONALD	1928 SHARON STREET	BOCA ROTON	FL	33486
604170	4VZBR1B909C067871	2009 DS	DP	3623 S	11/4/2008	12/4/2008	COACHLIGHT	5327 S GARRISON AVE	CARTHAGE	MO	64836	RECTOR WAYNE D	130 RAINBOW DR. #3006	LIVINGSTON	TX	77399
604171	4VZBR1B919C067961	2009 DS	DP	4010 S	11/25/2008	12/10/2008	COACHLIGHT	5327 S GARRISON AVE	CARTHAGE	MO	64836	SMITH DONALD C	3700 S WESTPORT AVE	SIoux FALLS	SD	57106
604172	4VZBR1D989C070420	2009 DS	DP	4010 S	2/2/2009	2/16/2009	BECKLEYS	BECKLEYS ENTERPRISES INC	THURMONT	MD	21788	CONSEVAGE MICHAEL W	6533 WINDMERE ROAD	HARRISBURG	PA	17111
604173	4VZBR1D979C070957	2009 DS	DP	4010 S	2/9/2009	3/2/2009	BECKLEYS	BECKLEYS ENTERPRISES INC	THURMONT	MD	21788	CIBULA ANDREW L	3107 TRENHOLM DRIVE	OAKTON	VA	22124
604174	4VZBR1D909C067723	2009 DS	DP	3623 S	2/19/2009	3/11/2009	LEES RV CITY	13111 N BROADWAY EXT	OKLAHOMA CITY	OK	73114	PALMER THOMAS E	110 EAST CENTER STREET #1131	MADISON	SD	57042
604175	4VZBT1D999C069908	2010 DS	DP	4386 S	3/2/2009	3/12/2009	INDEPENDENCE	12705 WEST COLONIAL DR	WINTER GARDEN	FL	34787	HESS RALPH W	5509 HOPPENVILLE RD	GREEN LAKE	PA	18054
604178	4VZBT1D909C069909	2009 DS	DP	4386 S	3/11/2009	3/19/2009	DIXIE RV	10241 DESTINATION DRIVE	HAMMOND	LA	70403	BOUDREAUX CHAD	PO BOX 336	CUT OFF	LA	70345
604179	4VZBR1B959C068112	2010 DS	DP	4010 S	4/6/2009	4/16/2009	STEINBRING	7390 COUNTY ROAD 82	GARFIELD	MN	56332					
604180	4VZBT1D949C069976	2010 DS	DP	4333 S	4/8/2009	4/22/2009	CAMPER COACHES	1701 S LOOP 289	LUBBOCK	TX	79423	SMITH ROGER	539 S JEFFERSON	CROSBYTON	TX	79322
604181	4VZBT1D90AC070353	2010 DS	DP	4386 S	5/19/2009	6/1/2009	NORTH TRAIL	LEE COUNTY RV SALES CO	FORT MYERS	FL	33905	HOEY ERNEST	RR1 CAMLACHIE	SARNA	ON	NO N 1E0
604182	4VZBR1D91AC071025	2010 DS	DP	4084 S	5/18/2009	5/29/2009	NORTH TRAIL	LEE COUNTY RV SALES CO	FORT MYERS	FL	33905	SCHNORF PETER	5270 ORANGE RIVER BLVD	WESTERVILLE	OH	43082
604183	4VZBR1D94AC071259	2010 DS	DP	4086 S	5/13/2009	5/29/2009	NORTH TRAIL	LEE COUNTY RV SALES CO	FORT MYERS	FL	33905	RENQUIST RON	6463 NW VOLUNCIA DR	PORT ST LUCIE	FL	34986
604184	4VZBR1B94AC070003	2010 DS	DP	4086 S	5/11/2009	5/22/2009	CAMPER COACHES	1701 S LOOP 289	LUBBOCK	TX	79423					
604185	4VZBT1D90AC069977	2010 DS	DP	4386 S	5/14/2009	5/29/2009	DIXIE RV	10241 DESTINATION DRIVE	HAMMOND	LA	70403	COVINGTON MICHAEL W	14040 TACK COVINGTON RD	WALKER	LA	70785
604186	4VZBR1D91AC071266	2010 DS	DP	4055 S	5/26/2009	6/3/2009	MIDWAY	5590 S DIVISION AVE	GRAND RAPIDS	MI	49548	ROEBUCK MALCOLM	345 N LEWIS AVE	WALKER	LA	61348
604187	4VZBT1D91AC071270	2010 DS	DP	4386 S	5/27/2009	6/4/2009	STEINBRING	7390 COUNTY ROAD 82	GARFIELD	MN	56332					
604188	4VZBT1D91AC071267	2010 DS	DP	4333 S	5/27/2009	6/4/2009	STEINBRING	7390 COUNTY ROAD 82	GARFIELD	MN	56332	CHURCH BARNEY	712 MICHAEL WAY	CAMANO ISLAND	WA	98282
604192	4VZBR1D97AC071286	2010 DS	DP	4010 S	6/18/2009	7/8/2009	INDEPENDENCE	& SERVICE INC	WINTER GARDEN	FL	34787	HARSTON JOHN D	21907 BELGIAN COURT	MOUNT DORA	FL	32757
604193	4VZBR1D96AC071327	2010 DS	DP	4055 S	6/22/2009	7/9/2009	INDEPENDENCE	12705 WEST COLONIAL DR	WINTER GARDEN	FL	34787	GATTI DONALD	1686 DELVER RD, PO BOX 27	MOUNT EATON	OH	44259
604194	4VZBT1D98AC071301	2010 DS	DP	4386 S	6/24/2009	7/14/2009	PROFESSIONAL SALES	1809 JOHN MCCAIN RD	COLLEVILLE	TX	76034-6371	TABOR TERENCE	740 BANDIT TR.	KELLER	TX	76248
604195	4VZBR1D90AC071338	2010 DS	DP	4086 S	7/8/2009	7/21/2009	DIXIE RV	10241 DESTINATION DRIVE	HAMMOND	LA	70403	SMITH E W	200 ASPEN WAY	BRACEY	VA	23919
604200	4VZBR1D93AC071382	2010 DS	DP	4086 S	7/28/2009	8/10/2009	BECKLEYS	BECKLEYS ENTERPRISES INC	THURMONT	MD	21788	MACKAY DAVID	720 E 9TH ST	BELLWOOD	PA	16617
604201	4VZBT1D90AC071390	2010 DS	DP	4386 S	8/4/2009	8/17/2009	STEINBRING	7390 COUNTY ROAD 82	GARFIELD	MN	56332	PARKER DOUG	1411 109 ST	FORT SAINT JOHN	BC	V1 6W3
604202	4VZBR1D95AC071433	2010 DS	DP	4086 S	8/5/2009	8/18/2009	BUDDY GREGG	BGMH ACQUISITION LLC	KNOXVILLE	TN	37932	BLANTON VICKI F	920 WHIKMANTLER DR	UNION CITY	TN	38267
604203	4VZBT1D92AC071391	2010 DS	DP	4333 S	8/13/2009	8/24/2009	BUDDY GREGG	BGMH ACQUISITION LLC	KNOXVILLE	TN	37932					
604205	4VZBT1D99AC071498	2010 DS	DP	4386 S	8/20/2009	9/10/2009	NORTH TRAIL	LEE COUNTY RV SALES CO	FORT MYERS	FL	33905	CHOESTOE LLC *	323 W PINE ST	MISSOULA	MT	59802
604206	4VZBR1D96AC072929	2010 DS	DP	4010 S	3/1/2010	3/10/2010	ANCIRA	30500 IH-10 WEST	BOERNE	TX	78006	ALLAN DANNY	36312 QUIET FOREST	MAGNOLIA	TX	77355
604207	4VZBT1D92AC072945	2010 DS	DP	4386 S	3/2/2010	3/11/2010	ANCIRA	30500 IH-10 WEST	BOERNE	TX	78006	COATES BILL	586 WHISKEY CANYON	KERRVILLE	TX	78028
604208	4VZBR1D96AC071534	2010 DS	DP	4386 S	9/12/2009	9/22/2009	JEFF'S RV SUPERSTORE	RV SUPERSTORE OF MOCKSVILLE DBA	MOCKSVILLE	NC	27028	ABRAHAM JAY	124 TRANQUIL COVE RD	MOORESVILLE	NC	28117
604209	4VZBT1D90AC071535	2010 DS	DP	4333 S	9/15/2009	9/28/2009	NORTH TRAIL	LEE COUNTY RV SALES CO	FORT MYERS	FL	33905	DURBIN ALLAN	20490 E ASCHOFF ROAD	RHODEDENDREN	OR	97049
604210	4VZBT1D96AC071569	2010 DS	DP	4386 S	9/15/2009	9/28/2009	DIXIE RV	10241 DESTINATION DRIVE	HAMMOND	LA	70403	YOUNG GENE	302 DRAYMOND LANE	SIMPSONVILLE	SC	29681
604212	4VZBR1D96AC071568	2010 DS	DP	4086 S	9/17/2009	9/30/2009	MIDWAY	5590 S DIVISION AVE	GRAND RAPIDS	MI	49548	CLEMENT GENE	13760 VINT HILL RD	NOKESVILLE	VA	20181
604213	4VZBR1D97AC071496	2010 DS	DP	4016 S	9/23/2009	10/6/2009	MIDWAY	5590 S DIVISION AVE	GRAND RAPIDS	MI	49548	HELSEL JAMES S	199 ARTHUR ST	MARNE	MI	49435
604216	4VZBT1D90AC071762	2010 DS	DP	4386 S	9/30/2009	10/13/2009	HOLIDAY WORLD OF HOUSTON	28909 KATY FREEWAY	KATY	TX	77494	COOPER KENNETH	1461 CHICOT PARK RD	MILLE PLATTE	VA	70586
604217	4VZBR1D9XAC071797	2010 DS	DP	4010 S	10/22/2009	11/2/2009	HOLIDAY WORLD OF HOUSTON	28909 KATY FREEWAY	KATY	TX	77494	MCC ANN MICHAEL	PO BOX 93	MISSILLA	NM	88046-0093
604219	4VZBT1D90AC071860	2010 DS	DP	4333 S	10/19/2009	10/28/2009	NORTH TRAIL	LEE COUNTY RV SALES CO	FORT MYERS	FL	33905	PARKER PAT	7435 COUNTRY	FT WAYNE	IN	46835
604221	4VZBT1D94AC071859	2010 DS	DP	4386 S	10/12/2009	10/22/2009	BALLARDS	S 5849 SOUTHWESTERN BLVD	HAMBURG	NY	14075					
604222	4VZBR1B94AC071961	2010 DS	DP	4016 S	10/23/2009	11/3/2009	NORTH TRAIL	LEE COUNTY RV SALES CO	FORT MYERS	FL	33905	TYSON JOHN	23346 DUCHESSE AVE	PORT CHARLOTTE	FL	33954
604223	4VZBT1D96AC071894	2010 DS	DP	4304 S	10/27/2009	11/5/2009	PROFESSIONAL SALES	1809 JOHN MCCAIN RD	COLLEVILLE	TX	76034-6371	JOHNSON JOHNNY	255 RAINBOW DRIVE #15559	LIVINGSTON	TX	77399
604224	4VZBR1D93AC072029	2010 DS	DP	3625 S	12/8/2009	12/17/2009	GUARANTY RV	20 HWY 99 SOUTH	JUNCTION CITY	OR	97448	ANDERSON JAMES A	2321 BOULDING RD	MILL BAY	BC	VOR 2P4
604225	4VZBT1D99AC072148	2010 DS	DP	4304 S	12/11/2009	1/14/2010	GUARANTY RV	20 HWY 99 SOUTH	JUNCTION CITY	OR	97448	SEVER SCOTT A	49265 STEVE HWY M 26	HANCOCK	MI	49930
604227	4VZBT1D98AC071895	2010 DS	DP	4386 S	11/10/2009	11/19/2009	STEINBRING	7390 COUNTY ROAD 82	GARFIELD	MN	56332	LAMB ROBERT K	3510 E GREENHILL RD	DECATUR	IL	62521-4104
604228	4VZBT1D94AC072011	2010 DS	DP	4304 S	11/20/2009	12/2/2009	LEES RV CITY	13111 N BROADWAY EXT	OKLAHOMA CITY	OK	73114	COFFMAN JACK	4005 NW 44TH ST	OKLAHOMA CITY	OK	73112
604229	4VZBT1D97AC072147	2010 DS	DP	4386 S	12/10/2009	1/12/2010	LEES RV CITY	13111 N BROADWAY EXT	OKLAHOMA CITY	OK	73114	WOELKA JOHN M	7948 AIRPORT DR	CRIVITZ	WI	54114
604230	4VZBR1D92AC072250	2010 DS	DP	4010 S	11/23/2009	12/3/2009	FREEDOM	3735 E IRVINGTON RD	TUCSON	AZ	85714	HIRSCH JAY S	5420 N. AIRWAY DR	TUCSON	AZ	85750
604231	4VZBR1D94AC072105	2010 DS	DP	3625 S	12/11/2009	1/13/2010	FREEDOM	3735 E IRVINGTON RD	TUCSON	AZ	85714	FICCA JOHN A	3422 FOOHILL RD	MOSCOW	ID	83843
604232	4VZBT1D98AC071962	2010 DS	DP	4386 S	11/12/2009	11/23/2009	FREEDOM	3735 E IRVINGTON RD	TUCSON	AZ	85714					
604233	4VZBR1D98AC072107	2010 DS	DP	4084 S	11/19/2009	12/2/2009	NORTH TRAIL	LEE COUNTY RV SALES CO	FORT MYERS	FL	33905	SERGEANT DAVID	7537 CHRISTIAN HOLLER RD	SODUS	NY	14551
604234	4VZBR1D96AC072106	2010 DS	DP	4084 S	11/18/2009	11/30/2009	NORTH TRAIL	LEE COUNTY RV SALES CO	FORT MYERS	FL	33905	BLASY RICH	566 EAST HEATHERFIELD WAY	REDLINE	PA	17356
604237	4VZBR1D94AC072010	2010 DS	DP	4016 S	11/17/2009	11/25/2009	W									

604272	4VZBT1D97AC073069	2010 DS	DP	4333 S	3/8/2010	3/17/2010	MIDWAY	5590 S DIVISION AVE		GRAND RAPIDS	MI	49548	BARBALE JIM	1254 COOPER DRIVE	NAPLES	FL	34103
604274	4U2ZACHY98CAV0298	2011 DS	DP	4034 FL	3/15/2010	3/22/2010	STEINBRING	7390 COUNTY ROAD 82	PO BOX 160	GARFIELD	MN	56332					
604275	4U2FCHCY3BCAV0294	2011 DS	DP	4324 FL	3/17/2010	3/29/2010	STEINBRING	7390 COUNTY ROAD 82	PO BOX 160	GARFIELD	MN	56332	SPRINGSGUTH WAYNE	2495 D ROAD	BARK RIVER	MI	49807
604276	4VZBT1D9XAC073132	2010 DS	DP	4333 S	3/23/2010	4/6/2010	MIDWAY	5590 S DIVISION AVE		GRAND RAPIDS	MI	49548	HAUSMAN LARRY J	12435 SONOMA RD	BATTLE CREEK	MI	49015
604278	4U2ZACHY4BCAV0167	2011 DS	DP	4086 F	3/24/2010	4/7/2010	PROFESSIONAL SALES	1809 JOHN MCCAIN RD	PO BOX 1018	COLLEVILLE	TX	76034-6371	WARD RONALD	3823 RIDGECREST DR	FLOWER MOUND	TX	75022
604279	4U2ZACHY2BCAV0166	2011 DS	DP	4043 FL	4/5/2010	4/14/2010	HOLIDAY WORLD OF HOUSTON	28909 KATY FREEWAY		KATY	TN	77494	STAHL GENE	23118 TWO HARBORS	KATY	TX	77494
604280	4VZBT1D91AC073133	2010 DS	DP	4333 S	4/1/2010	4/13/2010	BUDDY GREGG	BGMH ACQUISITION LLC	11730 SNYDER RD	KNOXVILLE	TN	37932	ROWE PAUL E	240 BROOKVIEW PL	OXFORD	GA	30054
604281	4VZBT1D94AC073157	2010 DS	DP	4333 S	4/5/2010	4/14/2010	BUDDY GREGG	BGMH ACQUISITION LLC	11730 SNYDER RD	KNOXVILLE	TN	37932	HOLLY-STORMS JUDY	230 SIBLEY AVENUE	OLD FORGE	PA	18518
604282	4U2ZACHY6BCAV0168	2011 DS	DP	4020 FL	4/6/2010	4/15/2010	NORTH TRAIL	LEE COUNTY RV SALES CO	5270 ORANGE RIVER BLVD	FORT MYERS	FL	33905	DINSE SIEGFRIED K	626 KNOXWOOD RD	INGLESIDE	IL	60041
604283	4U2FCHCY3BCAV0120	2011 DS	DP	4344 FL	4/8/2010	4/19/2010	NORTH TRAIL	LEE COUNTY RV SALES CO	5270 ORANGE RIVER BLVD	FORT MYERS	FL	33905	CROTTO GREGORY H	229 BIBLE HILL RD	HILLSBOROUGH	NH	3244
604284	4U2ZACHY4BCAV0169	2011 DS	DP	4086 FL	4/7/2010	4/16/2010	MOUNT COMFORT	5935 W 225 N		GREENFIELD	IN	46140	WORTHEN WAYNE	PO BOX 755	GILLETTE	WY	82717
604285	4U2FCHCY5BCAV0121	2011 DS	DP	4344 FL	4/9/2010	4/20/2010	NORTH TRAIL	LEE COUNTY RV SALES CO	5270 ORANGE RIVER BLVD	FORT MYERS	FL	33905	BELL GREGORY	10323 SHEA OAKS COVE WEST	COLLIERVILLE	TN	38017
604286	4U2FCHCY7BCAV0122	2011 DS	DP	4324 FL	4/14/2010	4/23/2010	NORTH TRAIL	LEE COUNTY RV SALES CO	5270 ORANGE RIVER BLVD	FORT MYERS	FL	33905	DAELICK GREGORY	PO BOX 621	LANGAN	SK	FOK 210
604288	4U2FCHCY9BCAV0123	2011 DS	DP	4336 FL	4/15/2010	4/26/2010	NORTH TRAIL	LEE COUNTY RV SALES CO	5270 ORANGE RIVER BLVD	FORT MYERS	FL	33905	WEMETT PAUL G	251 PONCE DE LEON AVE	VENICE	FL	34285
604289	4U2FCHCY0BCAV0124	2011 DS	DP	4324 FL	4/16/2010	4/27/2010	NORTH TRAIL	LEE COUNTY RV SALES CO	5270 ORANGE RIVER BLVD	FORT MYERS	FL	33905	LITRELL BILLY	201 GARMON DRIVE	GADSDAU	AL	35901
604290	4U2FCHCY2BCAV0125	2011 DS	DP	4353 FL	4/19/2010	4/28/2010	NORTH TRAIL	LEE COUNTY RV SALES CO	5270 ORANGE RIVER BLVD	FORT MYERS	FL	33905	MCCOOK ANN S	2900 DUBLIN DR	PARKER	TX	75002
604291	4U2ZACHY4BCAV0184	2011 DS	DP	3734 FL	5/7/2010	5/18/2010	NORTH TRAIL	LEE COUNTY RV SALES CO	5270 ORANGE RIVER BLVD	FORT MYERS	FL	33905	ELIZABETH ANN TEWS TRUST *	18950 CARSON DR	HOMEWOOD	IL	60430
604292	4U2ZACHY6BCAV0171	2011 DS	DP	4034 FL	4/19/2010	4/28/2010	NORTH TRAIL	LEE COUNTY RV SALES CO	5270 ORANGE RIVER BLVD	FORT MYERS	FL	33905	WADDY MALCOM	1103 DAY BEACON DR	BELHAVEN	NC	27810
604293	4U2ZACHY98CAV0172	2011 DS	DP	4020 FL	4/21/2010	4/30/2010	NORTH TRAIL	LEE COUNTY RV SALES CO	5270 ORANGE RIVER BLVD	FORT MYERS	FL	33905	COFFMAN WALTER	31 HAWTHORN CIR	CROSSVILLE	TN	38555
604294	4U2ZACHYXCBAV0173	2011 DS	DP	4086 FL	4/22/2010	5/3/2010	NORTH TRAIL	LEE COUNTY RV SALES CO	5270 ORANGE RIVER BLVD	FORT MYERS	FL	33905	SAGE MICHAEL W	96604 SAND PENNEY ISLAND	FERNANDINA BEACH	FL	33034
604295	4U2FCHCY4BCAV0126	2011 DS	DP	4344 FL	4/22/2010	5/3/2010	NORTH TRAIL	LEE COUNTY RV SALES CO	5270 ORANGE RIVER BLVD	FORT MYERS	FL	33905					
604296	4U2FCHCY6BCAV0127	2011 DS	DP	4386 FL	4/27/2010	5/6/2010	GORES DICK	14590 DUVAL PLACE WEST		JACKSONVILLE	FL	32218	GROVES MICHAEL	34125 SAHALLEE LOOP	DADE CITY	FL	33525
604297	4U2FCHCY8BCAV0128	2011 DS	DP	4344 FL	4/26/2010	5/5/2010	BUDDY GREGG	BGMH ACQUISITION LLC	11730 SNYDER RD	KNOXVILLE	TN	37932	BAGLEY PAUL	2106 SHADY BRANCH DR	KINGWOOD	TX	77339
604299	4U2ZACHY3BCAV0175	2011 DS	DP	4020 FL	4/29/2010	5/10/2010	WALKER	HIGHWAY 122 WEST	PO BOX 633	NORA SPRINGS	IA	50458	KRUGER RODGER	647 S. NELSON ST	LAKWOOD	CO	80226
604300	4U2ZACHY9BCAV0178	2011 DS	DP	4020 FL	5/28/2010	6/8/2010	MIDWAY	5590 S DIVISION AVE		GRAND RAPIDS	MI	49548	CYGAN DENNIS	3500 BOOMERANG DR	MARINE	IL	62061
604301	4U2FCHCY1BCAV0133	2011 DS	DP	4324 FL	6/2/2010	6/10/2010	MIDWAY	5590 S DIVISION AVE		GRAND RAPIDS	MI	49548	EVERETT TED	1407 E. KELLER HILL RD	MOORESVILLE	IN	46158
604302	4U2FCHCYXCBAV0129	2011 DS	DP	4324 FL	5/17/2010	5/25/2010	INDEPENDENCE	& SERVICE INC	12705 WEST COLONIAL DR	WINTER GARDEN	FL	34787	HALL IV ARTHUR F	11229 BRIDGE HOUSE RD	WINDERMIRE	FL	34786
604303	4U2FCHCY6BCAV0130	2011 DS	DP	4344 FL	5/18/2010	5/27/2010	HOLIDAY WORLD OF HOUSTON	28909 KATY FREEWAY		KATY	TX	77494	COOK GARTH L	5211 JUNIPER TERRACE	KATY	TX	77494
604304	4U2ZACHY6BCAV0185	2011 DS	DP	3734 FL	5/12/2010	5/21/2010	GUARANTY RV	20 HWY 99 SOUTH	PO BOX 279	JUNCTION CITY	OR	97448	CROWSTON WILLIAM M	325 STONEBRIDGE DR	CHICO	CA	95973
604305	4U2FCHCY8BCAV0131	2011 DS	DP	4353 FL	5/18/2010	5/27/2010	PROFESSIONAL SALES	1809 JOHN MCCAIN RD	PO BOX 1018	COLLEVILLE	TX	76034-6371	PITTMAN WILLIAM	1306 GREENWAY PARK DR	CARROLLTON	TX	75807
604306	4U2ZACHY2BCAV1238	2011 DS	DP	3734 FL	6/29/2010	7/19/2010	PROFESSIONAL SALES	1809 JOHN MCCAIN RD	PO BOX 1018	COLLEVILLE	TX	76034-6371	PATTERSON JACK	760 ORCHID HILL LN	COPPER CANYON	TX	76226
604307	4U2FCHCY3BCAV0134	2011 DS	DP	4386 FL	5/20/2010	6/1/2010	LEES RV CITY	13111 N BROADWAY EXT		OKLAHOMA CITY	OK	73114	LOHMAN JOHN	200 S E 19TH ST	MOORE	OK	73160
604308	4U2FCHCY5BCAV0135	2011 DS	DP	4344 FL	5/17/2010	5/25/2010	GUARANTY RV	20 HWY 99 SOUTH	PO BOX 279	JUNCTION CITY	OR	97448					
604309	4U2ZACHYXCBAV0299	2011 DS	DP	4020 FL	5/20/2010	5/28/2010	GUARANTY RV	20 HWY 99 SOUTH	PO BOX 279	JUNCTION CITY	OR	97448	DUTCHER HAMILTON	1420 NW GILMAN BLVD #2763	ISSAQUAH	WA	98027
604310	4U2ZACHY5BCAV0176	2011 DS	DP	4086 FL	5/27/2010	6/7/2010	GUARANTY RV	20 HWY 99 SOUTH	PO BOX 279	JUNCTION CITY	OR	97448	KAMIL BOBBI	24 CARIBOU COURT	MONTEREY	CA	93940
604311	4U2ZACHY1BCAV0174	2011 DS	DP	4020 FL	5/21/2010	6/1/2010	STEINBRING	7390 COUNTY ROAD 82	PO BOX 160	GARFIELD	MN	56332	LARSON HAROLD R	1555 WOOD RIDGE LN	WEST FARGO	ND	58078
604312	4U2FCHCYXCBAV0132	2011 DS	DP	4344 FL	6/7/2010	6/15/2010	ANCIRA	30500 IH-10 WEST		BOERNE	TX	78006	BOREL MIKE	17000 OLD NOME RD	NOME	TX	77629
604315	4U2ZACHY0BCAY1237	2011 DS	DP	3734 FL	6/28/2010	7/19/2010	GUARANTY RV	1280 ROUTE 764	PO BOX 279	JUNCTION CITY	PA	16635	HAMILTON JEFF	3305 SOUTH HIGH DRIVE	SPOKANE	WA	99203
604316	4U2ZACHY0BCAV0182	2011 DS	DP	4020 FL	6/1/2010	6/9/2010	ANSLEY	1280 ROUTE 764	PO BOX 239	DUNCANVILLE	IN	46140	LOUSHIE DAVE	406 STONE CHURCH DR	HUNKER	PA	15639
604318	4U2FCHCY0BCAV0141	2011 DS	DP	4353 FL	6/15/2010	6/23/2010	MOUNT COMFORT	5935 W 225 N		GREENFIELD	IN	46140	LOUSHIE DAVE	8967 CLASSIC VIEW DR	INDIANAPOLIS	IN	46217
604319	4U2ZACHY0BCAV0179	2011 DS	DP	4020 FL	6/10/2010	6/18/2010	MIDWAY	5590 S DIVISION AVE		GRAND RAPIDS	MI	49548	GANT JOSEPH	3143 BERKLEY	FLINT	MI	48504
604320	4U2ZACHY9BCAV0181	2011 DS	DP	4086 FL	6/8/2010	6/17/2010	MIDWAY	5590 S DIVISION AVE		GRAND RAPIDS	MI	49548	QUINLAN PATRICK	121 POPLAR TRAIL	GRAND HAVEN	MI	49417
604321	4U2FCHCY2BCAV0139	2011 DS	DP	4324 FL	6/11/2010	6/21/2010	WALKER	HIGHWAY 122 WEST	PO BOX 633	NORA SPRINGS	IA	50458					
604327	4U2FCHCY0BCAV0138	2011 DS	DP	4344 FL	6/10/2010	6/18/2010	CAMPERS RV	DEW ENTERPRISES INC	7700 W 70TH ST	SHREVEPORT	LA	71129-2206					
604330	4U2FCHCY9BCAV0140	2011 DS	DP	4336 FL	6/15/2010	6/24/2010	STEINBRING	7390 COUNTY ROAD 82	PO BOX 160	GARFIELD	MN	56332	QUIGLEY BRAD	1 TOWER ROAD	WEST BROOKFIELD	MA	1585
604332	4U2ZACHY3BCAV0144	2011 DS	DP	4086 FL	6/11/2010	6/22/2010	MIDWAY	5590 S DIVISION AVE		GRAND RAPIDS	MI	49548	LOST TRAVELERS LLC *	328 W PINE ST - PO BOX 7967	MISSOULA	MT	59807
604333	4U2FCHCY4BCAV0143	2011 DS	DP	4353 FL	6/17/2010	6/28/2010	BUDDY GREGG	BGMH ACQUISITION LLC	11730 SNYDER RD	KNOXVILLE	TN	37932	WALKER RICHARD	1667 STONEY BROCK LANE	MORRIS	IL	60450
604334	4U2FCHCY4BCAV7248	2011 DS	DP	4353 FL	6/14/2010	6/22/2010	STEINBRING	7390 COUNTY ROAD 82	PO BOX 160	GARFIELD	MN	56332	RILEY JAMES	8255 COLLEGE TRAIL	INNER GROVE	MI	55076
604336	4U2FCHCY2BCAV0142	2011 DS	DP	4344 FL	6/18/2010	6/30/2010	NORTH TRAIL	LEE COUNTY RV SALES CO	5270 ORANGE RIVER BLVD	FORT MYERS	FL	33905	SCHRODEL JULIO E	17131 PLEASURE RD	CAPE CORAL	FL	33909
604337	4U2ZACHY2BCAV0183	2011 DS	DP	4086 FL	6/23/2010	7/13/2010	NORTH TRAIL	LEE COUNTY RV SALES CO	5270 ORANGE RIVER BLVD	FORT MYERS	FL	33905	FRANK JOHN R	98 HARVEY MOUNTAIN RD	AUSTERLITZ	NY	12017
604340	4U2FCHCY4BCAV0614	2011 DS	DP	4386 FL	6/28/2010	7/16/2010	GORES DICK	14590 DUVAL PLACE WEST		JACKSONVILLE	FL	32218	SCHROEDER JANET	2400 CREEKSIDE CIRCLE SOUTH	IRVING	TX	75063
604341	4U2FCHCY4BCAX9626	2011 DS	DP	4353 FL	7/16/2010	7/28/2010	MIDSTATE CAMPERS	10400 RECREATIONAL DR		BLACK HAWK	SD	57718-8654	POLICKY KATHRYN L	23072 HEGSE RD	RAPID CITY	SD	57702
604342	4U2FCHCY1BCAY1253	2011 DS	DP	4020T FL	7/21/2010	8/3/2010	NORTH TRAIL	LEE COUNTY RV SALES CO	5270 ORANGE RIVER BLVD	FORT MYERS	FL	33905	FLASKA MICHAEL V	4 SOUTH 554 RADCLIFF RD	NAPERVILLE	IL	60563
604343	4U2FCHCY6BCA95973	2011 DS	DP	4043T FL	7/20/2010	8/2/2010	MOUNT COMFORT	5935 W 225 N		GREENFIELD	IN	46140	NELSON CARL G	69 TEMPLE RD	WELLESLEY	MA	2482
604345	4U2FCHCY8BCAX9628	2011 DS	DP	4086T FL	8/9/2010	8/18/2010	A & S RV	2375 OPDYKE RD		AUBURN HILLS	MI	48326	VOLLMER INC	3822 SANDWICH ST	WINDSOR	ON	N9C 1C1
604346	4U2FCHCY3BCAY1254	2011 DS	DP	4020T FL	7/26/2010	8/4/2010	GUARANTY RV	20 HWY 99 SOUTH	PO BOX 279	JUNCTION CITY	OR	97448	PRAVECEK RAY	28127 312TH AVE	WINTER	SD	57580
604348	4U2ZACHY4BCAY1239	2011 DS	DP	3734 FL	7/30/2010	8/10/2010	STEINBRING	7390 COUNTY ROAD 82	PO BOX 160	GARFIELD	MN	56332	KROENCKE EUGENE	108 SPRUCE ST	BLUFFS	IL	62621
604349	4U2FCHCY1BCAY1267	2011 DS	DP	4324 FL	8/6/2010	8/17/2010	LEES RV CITY	13111 N BROADWAY EXT		OKLAHOMA CITY	OK	73114	WOODARD DONALD E	PO BOX 24152	FT WORTH	TX	76124
604350	4U2FCHCY5BCAY1255	2011 DS	DP	4020T FL	8/17/2010	8/26/2010	STEINBRING	7390 COUNTY ROAD 82	PO BOX 160	GARFIELD	MN	56332	PATTERSON MACK	15957 MIDDLE RD	DUBUQUE	IA	52

604382	4UZFCHCY6BCAY1281	2011	DS	DP	4324	FL	12/10/2010	1/4/2011	TERRY LABONTE	TRADERS CHEVROLET LLC	1401 BRIDFORD PKWY	GREENSBORO	NC	27407-2657	BARKSDALE ANDREW	817 RUTHERFORD DR	CHESAPEAKE	VA	23322	
604383	4UZFCHCY4BCAY1280	2011	DS	DP	4344	FL	12/9/2010	1/4/2011	LEES RV CITY	13111 N BROADWAY EXT	OKLAHOMA CITY	OK	73114	HEATON LARRY C	5042 SWALLOW CT	KLAMATH FALLS	OR	97601		
604384	4UZFCHCY6BCAY1278	2011	DS	DP	4344	FL	12/6/2010	12/15/2010	LEES RV CITY	13111 N BROADWAY EXT	OKLAHOMA CITY	OK	73114	LESCH JAMES	185 EIGHT MILE LOOP	PAGOSA SPRINGS	CO	81147		
604386	4UZFCHCY0BCAY1261	2011	DS	DP	4020	FL	1/17/2011	1/25/2011	CRAIN RV	CRAIN RV LLC	9801 I-30	LITTLE ROCK	AR	72209-3305	BASSETT WALTER L	5025 NORTH CREEK RD	BENLAH	CO	81023	
604387	4UZFCHCY3BCAY1285	2011	DS	DP	4344	FL	1/14/2011	1/25/2011	CRAIN RV	CRAIN RV LLC	9801 I-30	LITTLE ROCK	AR	72209-3305	HOLMAN LARRY L	504 QUAPAW DRIVE	AR	72802		
604388	4UZFCHCY8BCAY1283	2011	DS	DP	4344	FL	1/11/2011	1/19/2011	HOLIDAY WORLD OF HOUSTON	28909 KATY FREEWAY	KATY	TX	77494	MAPES LOY	3715 HIGHWAY 85 N PMB 897	RUSSELLVIEW	FL	32536		
604389	4UZFCHCY4BCAY1263	2011	DS	DP	4020	FL	1/21/2011	1/31/2011	INDEPENDENCE	& SERVICE INC	12705 WEST COLONIAL DR	WINTER GARDEN	FL	34787	ROTHERMEL DEBORAH A	14 ROTHERMEL EXTENSION	KINDERHOOK	NY	12106	
604390	4UZFCHCY6BCAY1264	2011	DS	DP	4020	FL	1/28/2011	2/8/2011	STEINBRING	7390 COUNTY ROAD 82	PO BOX 160	GARFIELD	MN	56332	BEBEAU ERROR	512 PARK ST	GLIDDEN	WI	54527	
604391	4UZFCHCY9BCAY1288	2011	DS	DP	4353	FL	2/7/2011	2/25/2011	DIXIE RV	DIXIE RV SUPERSTORES	328 GREEN ACRES DR	DEFUNIAK SPRINGS	FL	32435	PARKER JUDY	2005 YOOPOON LANE	BONIFAY	FL	32425	
604392	4UZFCHCY5BCAY1286	2011	DS	DP	4344	FL	2/21/2011	3/2/2011	DIXIE RV	DIXIE RV SUPERSTORES	328 GREEN ACRES DR	DEFUNIAK SPRINGS	FL	32435	WRIGHT SUSAN	20005 US HWY 27	CLEARMONT	FL	34715	
604393	4UZFCHCY0BCAY6783	2011	DS	DP	4344	FL	2/21/2011	2/21/2011	DIXIE RV	10241 DESTINATION DRIVE	HAMMOND	LA	70403	HEBERT THOMAS	1420 SAVANNE RD	HOUMA	LA	70360		
604394	4UZFCHCY4BCB81593	2011	DS	DP	3734	FL	3/1/2011	3/10/2011	GUARANTY RV	20 HWY 99 SOUTH	PO BOX 279	JUNCTION CITY	OR	97448	ROYCE FRED H	326 WEST COLUMBUS AVE	PORT ANGELES	WA	98362	
604395	4UZFCHCY1BCAY1284	2011	DS	DP	4386	FL	2/28/2011	3/9/2011	NORTH TRAIL	LEE COUNTY RV SALES CO	5270 ORANGE RIVER BLVD	FORT MYERS	FL	33905-2750	LLEWELYN ROLLAND N	6959 LEMASTER RD	ATHENS	OH	45701	
604396	4UZFCHCY8CBCA5593	2012	DS	DP	4346	FL	3/15/2011	3/24/2011	NORTH TRAIL	LEE COUNTY RV SALES CO	5270 ORANGE RIVER BLVD	FORT MYERS	FL	33905-2750	SANDERS CATHERINE	3830 ST KITTS CT	PUNTA GORDA	FL	33950	
604397	4UZFCHCYXCBA5594	2012	DS	DP	4346	FL	3/29/2011	4/6/2011	NORTH TRAIL	LEE COUNTY RV SALES CO	5270 ORANGE RIVER BLVD	FORT MYERS	FL	33905-2750						
604398	4UZFCHCY9BCBA5584	2011	DS	DP	4020	FL	3/10/2011	3/22/2011	STEINBRING	7390 COUNTY ROAD 82	PO BOX 160	GARFIELD	MN	56332	WEST CALVIN	4510 MONTRIO CIRCLE	ANCHORAGE	AK	99502	
604399	4UZFCHCY7BCAY1287	2011	DS	DP	4353	FL	3/16/2011	3/25/2011	MIDSTATE CAMPERS	10400 RECREATIONAL DR	11730 SNYDER RD	COLLEVILLE	TX	76034-6371	POIRIER CARYN	16295 WILLOW WOOD RD	PIEDMONT	SD	57769	
604400	4UZFCHCYXBCA7628	2011	DS	DP	3734	FL	3/21/2011	3/30/2011	PROFESSIONAL SALES	1809 JOHN MCCAIN RD	PO BOX 1018	COLLEVILLE	TX	76034-6371	BROWN KENNETH	514 AMERICA'S WAY #1104	BOX ELDER	SD	57719	
604401	4UZFCHCY2CBCB81592	2011	DS	DP	3734	FL	3/29/2011	4/7/2011	BUDDY GREGG	BGMH ACQUISITION LLC	11730 SNYDER RD	KNOXVILLE	TN	37932	MAY ROY L	419 DIXIE LANE	POCAHONTAS	TN	38061	
604402	4UZFCHCY2BCAY6784	2011	DS	DP	4344	FL	3/30/2011	4/8/2011	GORES DICK	14590 DUVAL PLACE WEST	JACKSONVILLE	FL	32218	SANDERS BRUCE	8305 REGENCY WOODS WAY	LOUISVILLE	KY	40220		
604403	4UZFCHCY8BCAY1265	2011	DS	DP	4020	FL	3/30/2011	4/8/2011	CAMPERS RV	DEW ENTERPRISES INC	7700 W 70TH ST	SHREVEPORT	LA	71129-2206	BURTON JOHN W	PO BOX 1238	CARTHAGE	TX	75633	
604404	4UZFCHCY6BCAY6786	2011	DS	DP	4336	FL	4/5/2011	4/14/2011	STEINBRING	7390 COUNTY ROAD 82	PO BOX 160	GARFIELD	MN	56332	SCHULTZ WILLIAM S	6880 NORTH WIND CT	WARRENS	WI	54666	
604405	4UZFCHCY4BCAY6785	2011	DS	DP	4324	FL	4/7/2011	4/18/2011	MIDWAY	5590 S DIVISION AVE	PO BOX 279	GRAND RAPIDS	MI	49548	CARPENTER JAMES	7555 EASTBROOK CIR	CLARKSTON	MI	48346	
604406	4UZFCHCY4BCBE7073	2011	DS	DP	3734	FL	4/15/2011	4/28/2011	GUARANTY RV	20 HWY 99 SOUTH	9801 I-30	JUNCTION CITY	OR	97448	TONKINS WESLEY	6650 BROADBROOK CIR	ANCHORAGE	AK	99504	
604407	4UZFCHCY8BCAY6787	2011	DS	DP	4344	FL	4/19/2011	4/29/2011	CRAIN RV	CRAIN RV LLC	9801 I-30	LITTLE ROCK	AR	72209-3305	BAUGHMAN TERRY	1511 NEUTRINO DR	MURFREESBORO	TN	37129	
604408	4UZFCHCYXBCAY1266	2011	DS	DP	4020	FL	4/28/2011	5/10/2011	HOLIDAY WORLD OF HOUSTON	28909 KATY FREEWAY	KATY	TX	77494	PIERCE DAVID	518 HIGGINS ST	HUMBLE	TX	77338		
604409	4UZFCHCY8BCAY8796	2011	DS	DP	4386	FL	5/19/2011	5/31/2011	LEES RV CITY	13111 N BROADWAY EXT	OKLAHOMA CITY	OK	73114	ROBINSON PHILIP	PO BOX 38	ARNBPRIOR	ON	875 3H2		
604410	4UZFCHCYXBCAY6788	2011	DS	DP	4336	FL	5/11/2011	5/23/2011	STEINBRING	7390 COUNTY ROAD 82	PO BOX 160	GARFIELD	MN	56332	HOSSLEY NATHAN	21828 TURKEY CREEK DR	BATON ROUGE	LA	70817	
604411	4UZFCHCY1BCAY6789	2011	DS	DP	4324	FL	5/23/2011	6/3/2011	BUDDY GREGG	BGMH ACQUISITION LLC	11730 SNYDER RD	KNOXVILLE	TN	37932	LAMB RICHARD	6737 INDIAN CREEK DR	FULTON	IL	61252	
604412	4UZFCHCY1CCB83387	2012	DS	DP	3735	FL	5/24/2011	6/6/2011	GUARANTY RV	20 HWY 99 SOUTH	PO BOX 279	JUNCTION CITY	OR	97448	GIBSON GEORGE N	PO BOX 1247	KETCHUM	ID	83340	
604413	4UZFCHCY9CCB5335	2012	DS	DP	4342	FL	5/31/2011	6/10/2011	GUARANTY RV	20 HWY 99 SOUTH	PO BOX 279	JUNCTION CITY	OR	97448	HEDBERG JEFFREY R	760 BAIR ISLAND RD #103	REDWOOD CITY	CA	94063	
604414	4UZFCHCY2CCB5337	2012	DS	DP	4346	FL	6/8/2011	6/17/2011	PROFESSIONAL SALES	1809 JOHN MCCAIN RD	PO BOX 1018	COLLEVILLE	TX	76034-6371	BUTLER WALTER	303 DUNCAN DR	CHEROKEE	OK	73728	
604415	4UZFCHCY0CCB5336	2012	DS	DP	4346	FL	6/1/2011	6/13/2011	STEINBRING	7390 COUNTY ROAD 82	PO BOX 160	GARFIELD	MN	56332	ERICKSON EDWIN	13946 86TH ST S.E.	MILNOR	ND	58060	
604416	4UZFCHCY6CCB9682	2012	DS	DP	4353	FL	6/23/2011	7/12/2011	NORTH TRAIL	LEE COUNTY RV SALES CO	5270 ORANGE RIVER BLVD	FORT MYERS	FL	33905-2750	LEITGEB DANIEL J	6688 NW 110TH WAY	PARKLAND	FL	33076	
604417	4UZFCHCY4CCB5338	2012	DS	DP	4346	FL	6/20/2011	6/29/2011	LEES RV CITY	13111 N BROADWAY EXT	OKLAHOMA CITY	OK	73114	RECER RON	2408 W. BIG CEDAR	EDMOND	OK	73012		
604419	4UZFCHCY6CCB5339	2012	DS	DP	4346	FL	6/22/2011	7/11/2011	MIDWAY	5590 S DIVISION AVE	PO BOX 160	GRAND RAPIDS	MI	49548	OLSON JAMES	1733 LOS ALAMOS DR	PUNTA GORDA	FL	33950	
604420	4UZFCHCY8CBCB9683	2012	DS	DP	4353	FL	7/18/2011	7/28/2011	STEINBRING	7390 COUNTY ROAD 82	PO BOX 160	GARFIELD	MN	56332	NELSON LEON	6373 VIKING BLVD NW	NOWTHEN	MN	55303	
604421	4UZFCHCY2CCB5340	2012	DS	DP	4342	FL	7/20/2011	8/1/2011	STEINBRING	7390 COUNTY ROAD 82	PO BOX 160	GARFIELD	MN	56332	MILLER DARYL	2007 MAIN AVE E	WEST FARGO	ND	58078	
604422	4UZFCHCY5CCB5540	2012	DS	DP	4346	FL	7/26/2011	8/8/2011	BECKLEYS	BECKLEYS ENTERPRISES INC	11109 ANGLEBERGER RD	THURMONT	MD	21788	MCMINN WILLIAM	9958 REDBUD ROAD	MUNSTER	IN	46321	
604423	4UZFCHCY9CCB5585	2012	DS	DP	4086	FL	7/14/2011	7/25/2011	NORTH TRAIL	LEE COUNTY RV SALES CO	5270 ORANGE RIVER BLVD	FORT MYERS	FL	33905-2750	NORRIS GARY L	146 LONE INDIAN TRAIL	AUGUSTA	ME	4430	
604424	4UZFCHCY2CCB5333	2012	DS	DP	3735	FL	8/30/2011	9/12/2011	FREEDOM	3735 E IRVINGTON RD	TUCSON	AZ	85714		85714					
604425	4UZFCHCY9CCB5539	2012	DS	DP	4346	FL	8/18/2011	8/29/2011	FREEDOM	3735 E IRVINGTON RD	TUCSON	AZ	85714	CONANT ROBERT A	514 AMERICAS WAY APT.3954	BOX ELDER	SD	57719		
604429	4UZFCHCY4CCB83390	2012	DS	DP	4020	FL	7/28/2011	8/10/2011	MOUNT COMFORT	5935 W 225 N	GREENFIELD	IN	46140		46140					
604430	4UZFCHCY6CCB7023	2012	DS	DP	4346	FL	8/2/2011	8/12/2011	INDEPENDENCE	& SERVICE INC	12705 WEST COLONIAL DR	WINTER GARDEN	FL	34787	WIKERUK DARCY	PO BOX 31	ALSIKE	AB	70200	
604431	4UZFCHCY4CCB7022	2012	DS	DP	4353	FL	7/28/2011	8/11/2011	INDEPENDENCE	12705 WEST COLONIAL DR	WINTER GARDEN	FL	34787	CORMIER PHILIP	34787 CORMIER DRIVE	JACKSONVILLE	FL	32221		
604432	4UZFCHCY7CCB9397	2012	DS	DP	4062	FL	9/12/2011	9/21/2011	BUDDY GREGG	BGMH ACQUISITION LLC	11730 SNYDER RD	KNOXVILLE	TN	37932	MAUK JEFFREY L	8075 CLOUSE RD	NEW ALBANY	OH	43054	
604433	4UZFCHCY4CCB84289	2012	DS	DP	4020	FL	10/5/2011	10/17/2011	MOUNT COMFORT	5935 W 225 N	GREENFIELD	IN	46140	FISHER DONALD	3700 S WESTPORT AVE PMB 1491	SIOUX FALLS	SD	57106		
604438	4UZFCHCYXCBB1907	2012	DS	DP	4346	FL	9/19/2011	9/29/2011	GUARANTY RV	20 HWY 99 SOUTH	PO BOX 279	JUNCTION CITY	OR	97448	SUTTON KEN	PO BOX 1158	THAYNE	WY	83127	
604439	4UZFCHCYXCBB6430	2012	DS	DP	4020	FL	9/15/2011	9/28/2011	LASSO E	23486 COUNTY ROAD E34	ANAMOSA	IA	52205-7850							
604442	4UZFCHCY2CCB84288	2012	DS	DP	4020	FL	10/4/2011	10/13/2011	STEINBRING	7390 COUNTY ROAD 82	PO BOX 160	GARFIELD	MN	56332	MESSER DALE	26180 PANAMA AVE	WEBSTER	MN	55088	
604444	4UZFCHCY6CCB56494	2012	DS	DP	4020	FL	10/26/2011	11/4/2011	STEINBRING	7390 COUNTY ROAD 82	PO BOX 160	GARFIELD	MN	56332	THIELE STEVE	533 MIUIR DR	MADISON	WI	53704	
604446	4UZFCHCY5CCB7646	2012	DS	DP	4324	FL	10/17/2011	10/25/2011	INDEPENDENCE	& SERVICE INC	12705 WEST COLONIAL DR	WINTER GARDEN	FL	34787	GATES JERRY	776 PONDERSOA	WINDSOR	CO	80550	
604447	4UZFCHCY4CCB5334	2012	DS	DP	3734	FL	10/14/2011	10/25/2011	BECKLEYS	BECKLEYS ENTERPRISES INC	11109 ANGLEBERGER RD	THURMONT	MD	21788	GUETZINGER SUSAN	3701 WOODLAND AVE APT 4	CINCINNATI	OH	45209	
604448	4UZFCHCY7CCB73464	2012	DS	DP	3734	FL	11/11/2011	11/21/2011	A & S RV	2375 OPDYKE RD	AUBURN HILLS	MI	48326	CURTIS DAVID	58130 ROBROY	WASHINGTON	MI	48094		
604449	4UZFCHCY6CCB76393	2012	DS	DP	4086	FL	11/22/2011	12/1/2011	NORTH TRAIL	LEE COUNTY RV SALES CO	5270 ORANGE RIVER BLVD	FORT MYERS	FL	33905-2750	REEMSNYDER DAVID E	1775 FOSTER VIEW LANE	BLACKSBURG	VA	24060	
604451	4UZFCHCY2CCB82136	2012	DS	DP	4342	FL	10/25/2011	11/3/2011	NORTH TRAIL	LEE COUNTY RV SALES CO	5270 ORANGE RIVER BLVD	FORT MYERS	FL	33905-2750						
604452	4UZFCHCY1CCB73465	2012	DS	DP	4020	FL	10/27/2011	11/7/2011	NORTH TRAIL	LEE COUNTY RV SALES CO	5270 ORANGE RIVER BLVD	FORT MYERS	FL	33905-2750						
604454	4UZFCHCY4CCB82137	2012	DS	DP	4346	FL	10/28/2011	11/8/2011	HARPER	1200 E 10TH ST	GREAT BEND	KY	67530	HITSCHMANN CURTIS	742 N HWY 281, PO BOX 328	HOISINGTON	KS	67544		
604455	4UZFCHCY6CCB80307	2012	DS	DP	4353	FL	11/15/2011	11/23/2011	WILKINS	7520 STATE ROUTE 415	BATH	NY	14810	MULCOCK STANLEY	19196 ROUTE 706	MONTROSE	PA	18801		
604456	4UZFCHCY3CCB88589	2012	DS	DP	4346	FL	11/15/2011	11/23/2011	LEES RV CITY	13111 N BROADWAY EXT	OKLAHOMA CITY	OK	73114	DEMPSTER ROBERT	1450 POST OAK LAND	EDMOND	OK	73034		
604457	4UZFCHCY8CCB7623	2012	DS	DP	4346	FL	12/19/2011	1/13/2012	MOUNT COMFORT	5935 W 225 N	GREENFIELD	IN	46140	WALKER MICHAEL R	9906 S SR 9	PENDELTON	IN	46064		
604458	4UZFCHCY0CCB84290	2012	DS	DP	4353	FL	11/4/2011	11/14/2011	MIDWAY	559										

604489	4UZFCHY8CBV8329	2012	DS	DP	4353	FL	2/3/2012	2/15/2012	MIDWAY	5590 S DIVISION AVE		GRAND RAPIDS	MI	49548	FARMER MICHAEL	7756 GREENLINKS DR SE	CALEDONIA	MI	49316	
604490	4UZFCHY1DCBX5751	2013	DS	DP	4318	FL	3/21/2012	4/12/2012	MOUNT COMFORT	5935 W 225 N		GREENFIELD	MI	46140	MCKEE RICHARD	6400 HILLCREST RD	FLOWER MOUND	TX	75022	
604491	4UZFCHY8CBV6161	2012	DS	DP	4346	FL	2/21/2012	3/1/2012	PROFESSIONAL SALES	1809 JOHN MCCAIN RD	PO BOX 1018	COLLEYSVILLE	TX	76034-6371	CARTER TERRY	167 RAINBOW DR #6731	LIVINGSTON	TX	77399	
604492	4UZFCHY4ACBU7621	2012	DS	DP	4020	FL	2/27/2012	3/7/2012	NEWMAR CORPORATION	355 N DELAWARE ST	PO BOX 30	NAPPANEE	IN	46550	MASSER MARK A	8 FAIRVIEW AVE	FREDERICK	MD	21701	
604493	4UZFCHY6CCBU7622	2012	DS	DP	4062	FL	2/29/2012	3/12/2012	CRAIN RV	11730 SNYDER RD	9801-130	LITTLE ROCK	AR	72209-3305	WALLER PRESTON B	11516 TUNICA TRACE	ST FRANCISVILLE	LA	70775	
604494	4UZFCHY4ACBV8330	2012	DS	DP	4346	FL	2/24/2012	3/6/2012	BUDDY GREGG	BGMH ACQUISITION LLC		KNOXVILLE	TN	37932	LENHART DOUGLAS	10381 WASHINGTON MILLS RD	ZWINGLE	IA	52079	
604495	4UZFCHY5CCBV1513	2012	DS	DP	4342	FL	2/23/2012	3/5/2012	GORES DICK	14590 DUVAL PLACE WEST		JACKSONVILLE	FL	32218	KLEIN BARRY	PO BOX 2066	SANTA FE	NM	87044	
604497	4UZFCHY5CCBV1264	2012	DS	DP	4346	FL	3/8/2012	3/22/2012	STEINBRING	7390 COUNTY ROAD 82	PO BOX 160	GARFIELD	MN	56332	SWEEN AL	21827 CORRAL CREEK RD	NEMO	SD	57759	
604499	4UZFCHY3CCBV9772	2012	DS	DP	4346	FL	4/12/2012	4/17/2012	BUDDY GREGG	BGMH ACQUISITION LLC		KNOXVILLE	TN	37932	BALL DANIEL	117 CHESTNUT RIDGE DR	JONESBOROUGH	TN	37659	
604502	4UZFCHY6CCBV6157	2012	DS	DP	4020	FL	3/29/2012	4/17/2012	STEINBRING	7390 COUNTY ROAD 82	PO BOX 160	GARFIELD	MN	56332						
604503	4UZFCHY0CCBV3178	2012	DS	DP	4353	FL	4/16/2012	4/27/2012	BECKLEYS	BECKLEYS ENTERPRISES INC		THURMONT	MD	21788	MCMULLEN NARVELL E	6961 32ND ST NW	WASHINGTON	DC	20015	
604505	4UZFCHY0DCBV2822	2012	DS	DP	4346	FL	5/7/2012	5/16/2012	STEINBRING	7390 COUNTY ROAD 82	PO BOX 160	GARFIELD	MN	56332	BURTON DAN	17046 PUEBLO BLVD	JORDON	MN	55352	
604508	4UZFCHY7DCBV2487	2013	DS	DP	4347	FL	5/30/2012	6/8/2012	STEINBRING	7390 COUNTY ROAD 82	PO BOX 160	GARFIELD	MN	56332	LAWRENCE DARYL B	113 RAINBOW DR. #1345	LIVINGSTON	TX	77399	
604510	4UZFCHY1CCBV1265	2013	DS	DP	4347	FL	5/31/2012	6/8/2012	LEES RV CITY	13111 N BROADWAY EXT		OKLAHOMA CITY	OK	73114	MINNIEAR HARRY	2904 WOODCREST LANE	TERRE HAUTE	IN	47805	
604511	4UZFCHY5DCBV2486	2013	DS	DP	4318	FL	5/16/2012	5/29/2012	GUARANTY RV	20 HWY 99 SOUTH	PO BOX 279	JUNCTION CITY	OR	97448	TURNERY ROSS	23510 NW PUBOLS RD	HILLSBORO	OR	97124	
604512	4UZFCHY5DCBV6156	2013	DS	DP	3734	FL	5/22/2012	5/31/2012	GUARANTY RV	20 HWY 99 SOUTH	PO BOX 279	JUNCTION CITY	OR	97448	SCHWENKELDER JOHN R	5500 W OLD SCHOOL LN	MERIDIAN	ID	83646	
604513	4UZFCHY6DCBV80529	2013	DS	DP	4353	FL	6/11/2012	6/18/2012	STEINBRING	7390 COUNTY ROAD 82	PO BOX 160	GARFIELD	MN	56332	NELSON HARRY	11548 COUNTY HWY 11	AUDUBON	MI	56511	
604515	4UZFCHYXDCBV828669	2013	DS	DP	4324	FL	6/1/2012	6/11/2012	MIDWAY	5590 S DIVISION AVE		GRAND RAPIDS	MI	49548						
604516	4UZFCHY1DCBV5126	2013	DS	DP	4347	FL	6/13/2012	6/20/2012	BUDDY GREGG	BGMH ACQUISITION LLC	11730 SNYDER RD	KNOXVILLE	TN	37932	GRAY PAT	428 CHILDERS STREET	PENSACOLA	FL	32534	
604517	4UZFCHY6DCBV6158	2013	DS	DP	4038	FL	6/7/2012	6/15/2012	BUDDY GREGG	BGMH ACQUISITION LLC	11730 SNYDER RD	KNOXVILLE	TN	37932	WILLIAMSON KELLY	1230 SUNSET GAP RD	COSBY	TN	37722	
604518	4UZFCHY3DCBV2388	2013	DS	DP	4318	FL	7/16/2012	7/24/2012	BUDDY GREGG	BGMH ACQUISITION LLC	11730 SNYDER RD	KNOXVILLE	TN	37932	MCBRIDE CYPRIEN T	200 REGWOOD DR	TULLAHOMA	TN	37388	
604521	4UZFCHYXDCBV6077	2013	DS	DP	4018	FL	6/18/2012	6/25/2012	STEINBRING	7390 COUNTY ROAD 82	PO BOX 160	GARFIELD	MN	56332	HARVEY MICHAEL	8609 HURCHON CIRCLE	URBANDALE	IA	50322	
604522	4UZFCHY8DCBV6159	2013	DS	DP	4038	FL	6/12/2012	6/20/2012	NORTH TRAIL	LEE COUNTY RV SALES CO	5270 ORANGE RIVER BLVD	FORT MYERS	FL	33905-2750	HOLTUN MARCIA H	5716 HORTON HILL DOWNS RD	SARASOTA	FL	34241	
604523	4UZFCHY1DCBV2390	2013	DS	DP	4353	FL	7/16/2012	7/25/2012	NORTH TRAIL	LEE COUNTY RV SALES CO	5270 ORANGE RIVER BLVD	FORT MYERS	FL	33905-2750	COSTELL TIMOTHY H	110 PLEASANT VIEW DR	ETTERS	PA	17319	
604524	4UZFCHY3DCBV7935	2013	DS	DP	4347	FL	6/20/2012	7/9/2012	HOLIDAY WORLD OF HOUSTON	28909 KATY FREEWAY		KATY	TX	77494	KALE TOM	2078 LCR 740	THORNTON	TX	76687	
604525	4UZFCHY5DCBV2389	2013	DS	DP	4338	FL	7/19/2012	7/30/2012	NORTH TRAIL	LEE COUNTY RV SALES CO	5270 ORANGE RIVER BLVD	FORT MYERS	FL	33905-2750	ZIMMERMAN LISA	528 WOODLAND DR	AUBURN	PA	17922	
604526	4UZFCHY2DCBV80530	2013	DS	DP	4338	FL	6/11/2012	6/19/2012	NORTH TRAIL	LEE COUNTY RV SALES CO	5270 ORANGE RIVER BLVD	FORT MYERS	FL	33905-2750						
604527	4UZFCHY7DCBV2281	2013	DS	DP	4344	FL	7/17/2012	7/25/2012	NORTH TRAIL	LEE COUNTY RV SALES CO	5270 ORANGE RIVER BLVD	FORT MYERS	FL	33905-2750	MCLEOD JOHN C	3163 SE DOUBLETON DR	STUART	FL	34997	
604528	4UZFCHY2DCBV0471	2013	DS	DP	4344	FL	7/13/2012	7/24/2012	NORTH TRAIL	LEE COUNTY RV SALES CO	5270 ORANGE RIVER BLVD	FORT MYERS	FL	33905-2750	BALLARD LARRY C	20104 COUTLAND DR	ESTERO	FL	33928	
604529	4UZFCHY2DCBV80527	2013	DS	DP	4038	FL	7/23/2012	7/31/2012	FREEDOM	3735 E IRVINGTON RD		TUCSON	AZ	85714	HAMMOND KEN L	PO BOX 729	POTEAU	OK	74953	
604530	4UZFCHY8DCBV4962	2013	DS	DP	4318	FL	8/1/2012	8/10/2012	FREEDOM	3735 E IRVINGTON RD		TUCSON	AZ	85714	LAWLEY BLAINE	1235 CUTTINGS WARF ROAD	NAPA	CA	94559	
604531	4UZFCHY1DCBV6078	2013	DS	DP	4018	FL	6/22/2012	7/12/2012	BUDDY GREGG	BGMH ACQUISITION LLC	11730 SNYDER RD	KNOXVILLE	TN	37932						
604532	4UZFCHY8DCBV28668	2013	DS	DP	4038	FL	6/15/2012	6/22/2012	LISSO E	23486 COUNTY ROAD E34		ANAMOSA	IA	52205-7850	NELSON JAMES A	4140 GREENWOOD DRIVE	DES MOINES	IA	50312	
604533	4UZFCHY1DCBV8328	2013	DS	DP	3735	FL	6/25/2012	7/13/2012	GUARANTY RV	20 HWY 99 SOUTH	PO BOX 279	JUNCTION CITY	OR	97448	HERSCHELL VINCENT C	101 KAYLE RIDGE RD	WASHOUGEL	WA	98671	
604534	4UZFCHY0DCBV80526	2013	DS	DP	4018	FL	7/18/2012	7/27/2012	CRAIN RV	11730 SNYDER RD	9801-130	LITTLE ROCK	AR	72209-3305	WARD CHRIS	1377 ISLAMORADA	JUPITER	FL	33458	
604535	4UZFCHY0DCBV0470	2013	DS	DP	4347	FL	7/10/2012	7/19/2012	INDEPENDENCE	& SERVICE INC	12705 WEST COLONIAL DR	WINTER GARDEN	FL	34787	NILES GARY S	96 BEE CIRCLE	CROSSVILLE	TN	38555	
604536	4UZFCHY6DCBV7052	2013	DS	DP	4347	FL	8/14/2012	8/23/2012	INDEPENDENCE	& SERVICE INC	12705 WEST COLONIAL DR	WINTER GARDEN	FL	34787	STRASSER PHIL	1460 SOUTHWEST 19TH STREET	BOCA RATON	FL	33486	
604537	4UZFCHY3DCBV2391	2013	DS	DP	4324	FL	7/19/2012	7/30/2012	MOUNT COMFORT	5935 W 225 N		GREENFIELD	MI	46140	HARRINGTON RAYMOND P	128 BREEZEWOOD DR	VENETIA	PA	15367	
604538	4UZFCHY4DCBV4960	2013	DS	DP	4347	FL	7/31/2012	8/8/2012	MIDWAY	5590 S DIVISION AVE		GRAND RAPIDS	MI	49548	MAYS JAMES S	16779 STATE HIGHWAY M35	ROCK	MI	49880	
604540	4UZFCHY2DCBV7050	2013	DS	DP	4018	FL	7/26/2012	8/6/2012	STEINBRING	7390 COUNTY ROAD 82	PO BOX 160	GARFIELD	MN	56332	RALEIGH PAUL	7869 BARRYMORE LN	WOODBURY	MD	55125	
604542	4UZFCHY4DCBV7051	2013	DS	DP	4347	FL	8/7/2012	8/15/2012	MIDSTATE CAMPERS	10400 RECREATIONAL DR		BLACK HAWK	SD	57718-8654	RENSTROM JOHN	1430 HAINES AVE SUITE 108 #191	RAPID CITY	SD	57701	
604543	4UZFCHY6DCBV4961	2013	DS	DP	4318	FL	7/26/2012	8/6/2012	MOUNT COMFORT	5935 W 225 N		GREENFIELD	MI	46140						
604544	4UZFCHY0DCBV80505	2013	DS	DP	4018	FL	8/9/2012	8/20/2012	GUARANTY RV	LEE COUNTY RV SALES CO	5270 ORANGE RIVER BLVD	JUNCTION CITY	OR	97448	MCMASTER DAVID K	2006 HIGHWAY 101 #117	FLORENCE	OR	97439	
604545	4UZFCHY7DCBV8053	2013	DS	DP	4018	FL	8/8/2012	9/17/2012	NORTH TRAIL	LEE COUNTY RV SALES CO	5270 ORANGE RIVER BLVD	FORT MYERS	FL	33905-2750	WACHHOLTZ DONALD	3916 NORTH POTSDAM AVE PMB 2170	SHIOUX FALLS	SD	57140	
604547	4UZFCHY0DCBV1749	2013	DS	DP	4318	FL	9/13/2012	9/21/2012	DESERT AUTOPEX	3335 E MAIN ST		MTSA	AZ	85213-8607	KOLOSEIK MARK J	9327 S. BALA DRIVE	TEMPE	AZ	85284	
604548	4UZFCHY2DCBV80506	2013	DS	DP	4318	FL	8/23/2012	8/31/2012	GUARANTY RV	20 HWY 99 SOUTH	PO BOX 279	JUNCTION CITY	OR	97448	DOYLE WILLIAM L	11517 ILLAHE LN N.E.	OLYMPIA	WA	98516	
604549	4UZFCHY4DCBV80507	2013	DS	DP	4347	FL	8/17/2012	8/28/2012	PROFESSIONAL SALES	1809 JOHN MCCAIN RD	PO BOX 1018	COLLEYSVILLE	TX	76034-6371	FLEMING GARY	14210 W. MONTEREY ST	WICHITA	KS	67235	
604550	4UZFCHYXDCBV0052	2013	DS	DP	4353	FL	8/23/2012	9/4/2012	STEINBRING	7390 COUNTY ROAD 82	PO BOX 160	GARFIELD	MN	56332	BRAKKE ROGER E	22888 OLD 59 RD	PELICAN RAPIDS	MN	56572	
604551	4UZFCHY1DCBV0053	2013	DS	DP	4338	FL	9/4/2012	9/13/2012	STEINBRING	7390 COUNTY ROAD 82	PO BOX 160	GARFIELD	MN	56332	COLLINS CURTIS E	6971 GREENTREE DR	NAPLES	FL	34108	
604552	4UZFCHY6DCBV1750	2013	DS	DP	4318	FL	9/11/2012	9/19/2012	INDEPENDENCE	& SERVICE INC	12705 WEST COLONIAL DR	WINTER GARDEN	FL	34787	HENSLEY BRENDA	#128	LABELLE	FL	33935	
604553	4UZFCHY8DCBV1751	2013	DS	DP	4353	FL	9/7/2012	9/18/2012	STEINBRING	7390 COUNTY ROAD 82	PO BOX 160	GARFIELD	MN	56332	KAST ALBERT	111 TOMAHAWK RD	SHIOUX NARROWS	ON	POX 130	
604554	4UZFCHY3DCBV0054	2013	DS	DP	4338	FL	9/7/2012	9/17/2012	NORTH TRAIL	LEE COUNTY RV SALES CO	5270 ORANGE RIVER BLVD	FORT MYERS	FL	33905-2750	EVANS JOHN P	5712 GREENRIDGE	MIDLAND	TN	79707	
604555	4UZFCHY3DCBV0183	2013	DS	DP	4018	FL	9/11/2012	9/20/2012	NORTH TRAIL	LEE COUNTY RV SALES CO	5270 ORANGE RIVER BLVD	FORT MYERS	FL	33905-2750	SOUTO JOSEPH	300 BIG PINE LANE	PUNTA GORDA	FL	33955	
604556	4UZFCHY3DCBV1754	2013	DS	DP	4338	FL	9/25/2012	10/5/2012	NORTH TRAIL	LEE COUNTY RV SALES CO	5270 ORANGE RIVER BLVD	FORT MYERS	FL	33905-2750	ORDWAY NANCY J	14960 COLLIER BLVD #2061	NAPLES	FL	34119	
604557	4UZFCHYXDCBV1752	2013	DS	DP	4347	FL	9/18/2012	9/27/2012	NORTH TRAIL	LEE COUNTY RV SALES CO	5270 ORANGE RIVER BLVD	FORT MYERS	FL	33905-2750	HURSH EDWARD W	5377 PEPPIE CREEK LN	PAINESVILLE	OH	44077	
604558	4UZFCHY8DCBV1748	2013	DS	DP	4038	FL	9/26/2012	10/8/2012	GUARANTY RV	20 HWY 99 SOUTH	PO BOX 279	JUNCTION CITY	OR	97448						
604559	4UZFCHY1DCBV1753	2013	DS	DP	4318	FL	9/24/2012	10/5/2012	MIDWAY	5590 S DIVISION AVE	5270 ORANGE RIVER BLVD	GRAND RAPIDS	MI	49548	MERKAU ALEXANDER	5660 PINE COURT	KIMBALL	MI	48074	
604561	4UZFCHY7DCBV2552	2013	DS	DP	4347	FL	10/12/2012	10/22/2012	NORTH TRAIL	LEE COUNTY RV SALES CO	5270 ORANGE RIVER BLVD	FORT MYERS	FL	33905-2750						
604562	4UZFCHY7DCBV2549	2013	DS	DP	4018	FL	10/9/2012	10/17/2012	MOUNT COMFORT	5935 W 225 N		GREENFIELD	MI	46140	LINDERER JOSEPH	12633 HAMILTON BAY CT	FORT WAYNE	IN	46814	
604563	4UZFCHY6DCBV5863	2013	DS	DP	4344	FL	10/22/2012	10/30/2012	NORTH TRAIL	LEE COUNTY RV SALES CO	5270 ORANGE RIVER BLVD	FORT MYERS	FL	33905-2750	KEANE LINDA Y	48 ROYAL JAMES DR	HILTON HEAD ISLAND	SC	29926	
604564	4UZFCHY8DCBV60994	2013	DS	DP	4338	FL	11/13/2012	11/21/2012	NORTH TRAIL	LEE COUNTY RV SALES CO	5270 ORANGE RIVER BLVD	FORT MYERS	FL	33905-2750	CLOUD JOHN D	4067 MONTAUK POINT	MEDINA	OH	44256	
604566	4UZFCHY9DCBV2553	2013	DS	DP	4347	FL	10/18/2012	10/26/2012	MIDWAY	5590 S DIVISION AVE		GRAND RAPIDS</								

604607	4UZFCHY7ECFJ8905	2013	DS	DP	4347	FL	2/13/2013	2/21/2013	PROFESSIONAL SALES	1809 JOHN MCCAIN RD	PO BOX 1018	COLLEYVILLE	TX	76034-6371	BAKER MALCOLM	2140 E. SOUTHLAKE BLVD - STE L-819	SOUTHLAKE	TX	76034	
604608	4UZFCHY8DFCH5415	2013	DS	DP	4344	FL	1/8/2013	1/16/2013	TOM JOHNSON	6700 BRUTON SMITH BLVD		CONCORD	NC	28027	LEE BOBBLYNN H	458 NORTHDRIVE CIRCLE	EVANS	GA	30809	
604609	4UZFCHY7DCFJ1001	2013	DS	DP	4347	FL	1/28/2013	2/5/2013	TOM JOHNSON	CENTER CHARLOTTE INC	6700 BRUTON SMITH BLVD	CONCORD	NC	28027-0120	HIGGINS JOHN	6901 OVIEDO DR	RALEIGH	NC	27603	
604610	4UZFCHY5EFCJ8904	2013	DS	DP	4318	FL	2/5/2013	2/13/2013	NORTH TRAIL	LEE COUNTY RV SALES CO	5270 ORANGE RIVER BLVD	FORT MYERS	FL	33905-2750	WILMONEN LELAND	3700 SOUTH WESTPORT PMB 4121	SIoux FALLS	SD	57106-6360	
604611	4UZFCHY2DCFJ8339	2013	DS	DP	4347	FL	2/1/2013	2/11/2013	PROFESSIONAL SALES	1809 JOHN MCCAIN RD	PO BOX 1018	COLLEYVILLE	TX	76034-6371	MOLLER RONNIE F	10045 CR 106	GRANDVIEW	TX	76050	
604612	4UZFCHYXDFCH7229	2013	DS	DP	4347	FL	1/11/2013	1/21/2013	HOLIDAY WORLD OF HOUSTON	28909 KATY FREEWAY		KATY	TX	77494	SHELTON DANNY C	30523 HACKBERRY WOODS ST	FULSHEAR	TX	77441	
604613	4UZFCHY0DFCH8338	2013	DS	DP	4318	FL	1/31/2013	2/8/2013	FIFE	FIFE RV & AUTO CENTER INC	3520 PACIFIC HWY E	FIFE	WA	98424-1121	CURLEY MICHAEL J	31625 SW COUNTRY VIEW LN	WILSONVILLE	OR	97070	
604614	4UZFACHY1DCBW1262	2013	DS	DP	3735	FL	2/26/2013	3/7/2013	FIFE	FIFE RV & AUTO CENTER INC	3520 PACIFIC HWY E	FIFE	WA	98424-1121	VANHEE TERRY	42733 169TH ST SE	GOLD BAR	WA	98251	
604615	4UZFCHY3EFCF7066	2013	DS	DP	4344	FL	2/14/2013	2/22/2013	HARPER	1200 E 10TH ST		GREAT BEND	KS	67530	CUNNINGHAM DAVID	212 N HIGH STREET	GLEN ELDER	KS	67446	
604616	4UZFCHY9DFCF1002	2013	DS	DP	4347	FL	1/29/2013	2/6/2013	ST LOUIS	GMT AUTO SALES INC	1080 W TERRA LN	O FALLON	MO	63366-2318	DUGAN JOSEPH	731 12TH STREET	KEY COLONY BEACH	FL	33051	
604617	4UZFCHY4EFCF9882	2013	DS	DP	4347	FL	3/1/2013	3/11/2013	NORTH TRAIL	LEE COUNTY RV SALES CO	5270 ORANGE RIVER BLVD	FORT MYERS	FL	33905-2750	GEHART DAVID	9867 E ST RD 26	OTTERHEIN	IN	47970	
604618	4UZFCHYXDFCF9885	2013	DS	DP	4318	FL	2/8/2013	2/18/2013	DESERT AUTOPELEX	KORGES ENTERPRISES INC	3335 E MAIN ST	MESA	AZ	85213-8607	REICH BOB	1925 CASABLANCA LANE	LAS CRUCES	NM	88005	
604619	4UZFCHY7DFCF8336	2013	DS	DP	4018	FL	2/27/2013	2/11/2013	BERRYLAND	1809 JOHN MCCAIN RD	PO BOX 1018	PONCHATOULA	LA	70454-4756	LUSHANKO LARRY G	1524 VISTA VIA	FALLBROOK	CA	92028	
604620	4UZFCHY0DFCF3382	2013	DS	DP	4344	FL	1/30/2013	2/7/2013	BERRYLAND	1809 JOHN MCCAIN RD	PO BOX 1018	PONCHATOULA	LA	70454-4756	WILLIAMS ISSAC N	5187 MILL HOUSE RD	GULF SHORES	AL	36542	
604621	4UZFCHY9DFCF8340	2013	DS	DP	4338	FL	2/1/2013	2/11/2013	NORTH TRAIL	LEE COUNTY RV SALES CO	5270 ORANGE RIVER BLVD	FORT MYERS	FL	33905-2750	KOVASH DAVID	2721 MARINA RD SE #1	MANDAN	ND	58554	
604622	4UZFCHY9DFCF3174	2013	DS	DP	3735	FL	2/28/2013	3/8/2013	FREEDOM	3735 E IRVINGTON RD		TUCSON	AZ	85714	FAYAL RICHARD L	110 E CENTER ST #2145	MADISON	SD	57042	
604623	4UZFCHY7EFCF9242	2013	DS	DP	4318	FL	2/22/2013	3/4/2013	STEINBRING	7390 COUNTY ROAD 82	PO BOX 160	GARFIELD	MN	56332	OLDENBURG CRAIG	4920 171ST LANE NORTHEAST	HAM LAKE	MD	55304	
604624	4UZFCHY5EFCF1673	2013	DS	DP	4344	FL	2/11/2013	2/19/2013	NORTH TRAIL	LEE COUNTY RV SALES CO	5270 ORANGE RIVER BLVD	FORT MYERS	FL	33905-2750	LOBAUGH DENNIS	PO BOX 187, 920 N READING AVE	NEW BERLINVILLE	PA	19545	
604625	4UZFCHY9DFCF8337	2013	DS	DP	4018	FL	3/6/2013	3/14/2013	NORTH TRAIL	LEE COUNTY RV SALES CO	5270 ORANGE RIVER BLVD	FORT MYERS	FL	33905-2750	SMITH ALLEN	2033 EAGLES LANDING DR	LAGRANGE	KY	40031	
604626	4UZFCHY8EFCF9884	2013	DS	DP	4318	FL	3/8/2013	3/18/2013	MIDWAY	5590 S DIVISION AVE		GRAND RAPIDS	MI	49548	WARNER STEVEN D	804 SHARP RD	BURLINGTON	WI	53105	
604628	4UZFCHY6EFCF9883	2013	DS	DP	4347	FL	3/5/2013	3/13/2013	MIDWAY	5590 S DIVISION AVE		GRAND RAPIDS	MI	49548	BI-STATE CONTRACTING INC *	110 WASHINGTON RD	WEST BURLINGTON	IA	52655	
604629	4UZFCHY2EFCF9878	2013	DS	DP	4038	FL	3/19/2013	3/26/2013	COACHLIGHT	5327 S GARRISON AVE		CARTHAGE	MO	64836	VAVRA MELVIN	PO BOX 1216	ELK POINT	SD	57025	
604630	4UZFCHY3EFCF1672	2013	DS	DP	4318	FL	3/13/2013	3/21/2013	BATES	BATES SHOW SALES STAFF INC	4656 MCINTOSH RD	DOVER	FL	33527-4132	CAMMICK PETER A	2430 COFFEE POT BLVD N.E.	SAINT PETERSBURG	FL	33704	
604631	4UZFCHYXDFCF8901	2013	DS	DP	4018	FL	4/3/2013	4/11/2013	HOLLAND	251 TRAVELERS WAY		SAN MARCOS	CA	92069-2797	JORDAN *	PO BOX 1475	GAFFNEY	SC	29342	
604633	4UZFCHY8DFCF3945	2013	DS	DP	4018	FL	4/17/2013	4/25/2013	HOLLAND	251 TRAVELERS WAY		SAN MARCOS	CA	92069-2797						
604634	4UZFCHY9EFCF9243	2013	DS	DP	4318	FL	3/19/2013	3/27/2013	LISSO E	23486 COUNTY ROAD E34		ANAMOSA	IA	52205-7850	BARRY OWEN T	18315 EBYS MILL RD	SCOTCH GROVE	IA	52310	
604636	4UZFCHY0EFCF3049	2013	DS	DP	4318	FL	3/19/2013	3/27/2013	MIDWAY	5590 S DIVISION AVE		GRAND RAPIDS	MI	49548	HERSHEY JACOB	2665 PRIMROSE LANE	YORK	PA	17404	
604637	4UZFCHY0EFCF1602	2013	DS	DP	4347	FL	4/12/2013	4/19/2013	NORTH TRAIL	LEE COUNTY RV SALES CO	5270 ORANGE RIVER BLVD	FORT MYERS	FL	33905-2750	SHMALO RAYMOND	7460 MONTE VERDE	SARASOTA	FL	34238	
604638	4UZFCHY8EFCF3008	2013	DS	DP	4038	FL	4/16/2013	4/23/2013	MOUNT COMFORT	5935 W 225 N		GREENFIELD	IN	46140	ELLWANGER JOSEPH	3700 W. PORT AVE. #1232	SIoux FALLS	SD	57106	
604639	4UZFCHY7EFCF3050	2013	DS	DP	4338	FL	3/22/2013	4/2/2013	MOUNT COMFORT	5935 W 225 N		GREENFIELD	IN	46140	WALLACE BRUCE	1329 CHAUSER LN	WOODBRIDGE	IL	60517	
604640	4UZFCHYXDFCF3946	2013	DS	DP	4347	FL	4/5/2013	4/12/2013	BECKLEYS	BECKLEYS ENTERPRISES INC	11109 ANGLEBERGER RD	THURMONT	MD	21188	TENNYSON EDMUND R	49029 CHISLEYTOWN RD	SAINT INGOES	MO	20684	
604641	4UZFCHY4EFCF9879	2013	DS	DP	4038	FL	4/9/2013	4/17/2013	ANCIRA	30500 IH-10 WEST		BOERNE	TX	78006	PEDIGO MICHAEL	4622 BLACK OAK WOODS	SAN ANTONIO	TX	78249	
604642	4UZFCHY2EFCF1603	2013	DS	DP	4318	FL	4/19/2013	4/29/2013	INDEPENDENCE	& SERVICE INC	12705 WEST COLONIAL DR	WINTER GARDEN	FL	34787	FELGENBAUER GERHARD	3728 SPOONBILL CT	PUNTA GORDA	FL	33950	
604643	4UZFCHY7EFCF1600	2013	DS	DP	4018	FL	4/23/2013	4/30/2013	INDEPENDENCE	& SERVICE INC	12705 WEST COLONIAL DR	WINTER GARDEN	FL	34787	WHITE WILLIAM C	1 WHITE LANE - PO BOX 770	JANE LEW	WV	26378	
604644	4UZFCHY1EFCF8902	2013	DS	DP	4018	FL	3/25/2013	4/3/2013	MIDWAY	5590 S DIVISION AVE		GRAND RAPIDS	MI	49548	SANGREGORY ROBERT A	420 W. JAMESTOWN AVE	TIFFIN	OH	44883	
604645	4UZFCHYXDFCF1390	2014	DS	DP	4369	FL	3/27/2013	4/5/2013	INDEPENDENCE	& SERVICE INC	12705 WEST COLONIAL DR	WINTER GARDEN	FL	34787	PATTERSON DANIEL W	1400 THORNBLE BLVD UNIT 21	GREER	SC	29650	
604646	4UZFCHY1DFCF3947	2013	DS	DP	4347	FL	3/28/2013	4/8/2013	NORTH TRAIL	LEE COUNTY RV SALES CO	5270 ORANGE RIVER BLVD	FORT MYERS	FL	33905-2750	MEYER EQUIP MANAGEMENT	1332 NORTH LAKE SHORE DR	SARASOTA	FL	34231	
604647	4UZFCHY3DFCF3948	2013	DS	DP	4338	FL	3/28/2013	4/8/2013	INDEPENDENCE	& SERVICE INC	12705 WEST COLONIAL DR	WINTER GARDEN	FL	34787	HASTINGS JOSEPH P	6105 KING PALM WAY	APOLLO BEACH	FL	33572	
604648	4UZFCHY5DFCF3949	2013	DS	DP	4347	FL	4/8/2013	4/16/2013	INDEPENDENCE	& SERVICE INC	12705 WEST COLONIAL DR	WINTER GARDEN	FL	34787	SHERWOOD JAMES M	10370 N 330TH STREET	CASEY	IL	62420	
604649	4UZFCHY4DFCF1604	2013	DS	DP	4347	FL	4/24/2013	5/2/2013	TOM JOHNSON	1885 US 70 WEST		MARION	NC	28752-7455	WALL STEVEN	3538 SWEPSONVILLE SAKAPAHAW RD	GRAHAM	NC	27253	
604650	4UZFCHY1DFCF3950	2013	DS	DP	4318	FL	4/26/2013	5/6/2013	MOUNT COMFORT	5935 W 225 N		GREENFIELD	IN	46140	DUNBAR RONALD	4920 PETRO RD	NASHVILLE	IN	47448	
604654	4UZFCHY9EFCF2691	2014	DS	DP	4374	FL	5/21/2013	5/31/2013	CRAIN RV	CRAIN RV LLC	9801-130	LITTLE ROCK	AR	72209-3305	BURROWS JACKIE	5224 KITCHEN	BENTON	AR	72015	
604655	4UZFCHY1EFCF9886	2014	DS	DP	4364	FL	5/31/2013	6/11/2013	LISSO E	23486 COUNTY ROAD E34		ANAMOSA	IA	52205-7850	DROESSLER ALAN P	STATE RD 80	CUBA CAY	WI	53807	
604656	4UZFCHY9EFCF0021	2014	DS	DP	4374	FL	11/8/2013	11/18/2013	FREEDOM	3735 E IRVINGTON RD		TUCSON	AZ	85714						
604657	4UZFCHY0EFCF2692	2014	DS	DP	4369	FL	5/21/2013	5/31/2013	ANCIRA	30500 IH-10 WEST		BOERNE	TX	78006	CAHILL DENNIS R	215 W. BANDERA RD STE 114	BOERNE	TX	78006	
604658	4UZFCHY5EFCF4647	2014	DS	DP	4369	FL	5/24/2013	6/5/2013	STEINBRING	7390 COUNTY ROAD 82	PO BOX 160	GARFIELD	MN	56332	MOORE RONALD F	102 W. JAMES AVE	MARSHALL	MN	56258	
604659	4UZFCHY3EFCF1593	2014	DS	DP	4018	FL	5/29/2013	6/7/2013	NATIONAL INDOOR GA	NATIONAL INDOOR RV CENTERS LLC	4405 PAXTON LN SW	LILBURN	GA	30047-8422	BERRY JONATHAN	323 LONGHILL RD.	GOODE	VA	24556	
604660	4UZFCHY5EFCF9931	2014	DS	DP	4369	FL	6/3/2013	6/12/2013	NATIONAL INDOOR GA	NATIONAL INDOOR RV CENTERS LLC	4405 PAXTON LN SW	LILBURN	GA	30047-8422	SQUIRES JIM	451 NW SANDTRAP LN	PORT ST LUCIE	FL	34986	
604661	4UZFACHY8EFCF8008	2014	DS	DP	3736	FL	9/27/2013	10/7/2013	DESERT AUTOPELEX	KORGES ENTERPRISES INC	3335 E MAIN ST	MESA	AZ	85213-8607	DION LIVING TRUST *	310 ALPINE DR	BIG FORK	MT	59911	
604662	4UZFCHY4EFCF7161	2014	DS	DP	4374	FL	9/27/2013	10/8/2013	DESERT AUTOPELEX	KORGES ENTERPRISES INC	3335 E MAIN ST	MESA	AZ	85213-8607	HALL RICHARD	1963 W. MOUNTAIN RD	APACHE JUNCTION	AZ	85119	
604663	4UZFCHY3EFCF0700	2014	DS	DP	4038	FL	10/4/2013	10/15/2013	DESERT AUTOPELEX	KORGES ENTERPRISES INC	3335 E MAIN ST	MESA	AZ	85213-8607	GORDON DEAN	310 SCHOOL ST	NORTHWOOD	IA	50459	
604664	4UZFCHY9EFCF9933	2014	DS	DP	4369	FL	6/3/2013	6/12/2013	HOLIDAY WORLD OF HOUSTON	28909 KATY FREEWAY		KATY	TX	77494	NEZAT DEAN	12802 TRI CITY BEACH RD	BAYTOWN	TX	77523	
604665	4UZFCHY7EFCF1674	2013	DS	DP	4347	FL	5/10/2013	5/21/2013	ST LOUIS	GMT AUTO SALES INC	1080 W TERRA LN	O FALLON	MO	63366-2318	BARNETT DAVID	4951 NETARTS HWY W 2068	TILLAMOOK	OR	97141	
604666	4UZFCHY8EFCF9365	2014	DS	DP	4369	FL	5/14/2013	5/23/2013	GUARANTY RV	20 HWY 99 SOUTH		JUNCTION CITY	OR	97448	LAWHORN TIM C	1220 BRACERO LN	LAKE HAVASU	AZ	86404	
604667	4UZFACHY2EFCF3855	2014	DS	DP	3738	FL	9/16/2013	9/25/2013	GUARANTY RV	20 HWY 99 SOUTH		JUNCTION CITY	OR	97448	VAN HISE PHIL	30686 S E WAYBILL RD	BORING	OR	97009	
604668	4UZFCHY8EFCF8023	2014	DS	DP	4374	FL	5/13/2013	5/22/2013	GUARANTY RV	20 HWY 99 SOUTH		JUNCTION CITY	OR	97448	CLARK ALLEN L	33008 176TH AVE SE	AUBURN	WA	98092	
604670	4UZFCHY7EFCF1966	2014	DS	DP	4374	FL	6/5/2013	6/13/2013	DAVES RV	SIMSO DAVID W	2 INDUSTRIAL PARK PLAZA	DANBURY	CT	06810						
604671	4UZFCHY3EFCF7286	2014	DS	DP	4018	FL	11/22/2013	12/4/2013	INDEPENDENCE	& SERVICE INC	12705 WEST COLONIAL DR	WINTER GARDEN	FL	34787	SUGERMAN DAVID L	11013 BOSTON DR	COOPER CITY	FL	33026	
604672	4UZFCHY8EFCF7551	2014	DS	DP	4369	FL	7/16/2013	7/24/2013	INDEPENDENCE	& SERVICE INC	12705 WEST COLONIAL DR	WINTER GARDEN	FL	34787	GRABOSKY DAVID M	5550 OSPREY ISLE LN	ORLANDO	FL	32819	
604673	4UZFCHY3EFCF8576	2014	DS	DP	4018	FL	7/29/2013	8/6/2013	AVALON	1604 MEDINA RD		MEDINA	OH	44256-8118	PITTS LESLIE A	8350 KNOX SCHOOL RD	MINERVA	OH	44651	
604674	4UZFCHY8EFCF56205	2014	DS	DP	4369	FL	7/17/2013	7/25/2013	AVALON	1604 MEDINA RD		MEDINA	OH	44256-8118	HILEMAN WM C					

604709	4UZFCHY2ECF51713	2014	DS	DP	4374	FL	7/22/2013	7/30/2013	HARPER	1200 E 10TH ST		GREAT BEND	KS	67530	HOPKINS BILL	2147 ROAD U	READING	KS	66688	
604712	4UZFCHY1ECF56207	2014	DS	DP	4364	FL	8/14/2013	8/23/2013	HARPER	1200 E 10TH ST		GREAT BEND	KS	67530	WYNN WILLIAM	641 N. 7TH	WAKEENEY	KS	67672	
604714	4UZFCHY4ECFR4730	2014	DS	DP	4018	FL	6/21/2013	7/9/2013	NORTH TRAIL	LEE COUNTY RV SALES CO	5270 ORANGE RIVER BLVD	FORT MYERS	FL	33905-2750	PANTWO GEORGE T LIVING THE DREAM TRAVELS	3415 S. INDIAN RIVER DR	FT PIERCE	FL	34982	
604715	4UZFCHY8ECFT9309	2014	DS	DP	4364	FL	8/21/2013	8/29/2013	MIDWAY	5590 S DIVISION AVE		GRAND RAPIDS	MI	49548	LLC *	124 W. PINE ST	MISSOULA	MT	59802	
604716	4UZFCHY9ECFR1967	2014	DS	DP	4364	FL	6/21/2013	7/8/2013	TOM JOHNSON	1885 US 70 WEST		MARION	NC	28752-7455	PHERSON ELIZABETH K	191 WALNUT LN	KING WILLIAM	VA	23086	
604718	4UZFCHY2ECFT3859	2014	DS	DP	4360	FL	8/1/2013	8/9/2013	INDEPENDENCE		12705 WEST COLONIAL DR	WINTER GARDEN	FL	34787	LEIBRING WILLIAM C	2950 NE 52ND CT LOT C-31	SILVER SPRINGS	FL	34488	
604719	4UZFCHY5ECFT6884	2014	DS	DP	4369	FL	8/16/2013	8/27/2013	BUDDY GREGG	BGMH ACQUISITION LLC	11730 SNYDER RD	KNOXVILLE	TN	37932	PORTERA JOSEPH	69 ESTATE DR	CROSSVILLE	TN	38555	
604720	4UZFCHY6ECFT9311	2014	DS	DP	4374	FL	8/27/2013	9/5/2013	BUDDY GREGG	BGMH ACQUISITION LLC	11730 SNYDER RD	KNOXVILLE	TN	37932	BUCK ROGER	400 BUCK DR	HATCHEE	AL	36271	
604723	4UZFCHY8ECFU5935	2014	DS	DP	4369	FL	9/9/2013	9/18/2013	TOM JOHNSON	CENTER CHARLOTTE INC	6700 BRUTON SMITH BLVD	CONCORD	NC	28027-0120	HARTMAN CURT R	202 BROWNSTONE DR	MOORESVILLE	NC	28117	
604724	4UZFCHY3ECFR3889	2014	DS	DP	4369	FL	7/19/2013	7/29/2013	DEMO-ODONNELL (NASCAR)											
604725	4UZFCHY4ECFT9310	2014	DS	DP	4372	FL	8/2/2013	8/12/2013	GUARANTY RV	20 HWY 99 SOUTH	PO BOX 279	JUNCTION CITY	OR	97448	PILAT DARRELL	1 RIVERBEND CREST	ST ANDREWS	MS	R1A 3Y7	
604728	4UZFCHY5ECFT1129	2014	DS	DP	4038	FL	8/8/2013	8/16/2013	BERRYLAND	42775 PLEASANT RIDGE RD EXT	PO BOX 266	PUNCHATOULA	LA	70454-4756	IRVIN GEORGE R	104 SOMERSET DR	NATCHEZ	MB	39120	
604729	4UZFCHY2ECFT8009	2014	DS	DP	4038	FL	8/9/2013	8/19/2013	GORES DICK	14590 DUVAL PLACE WEST		JACKSONVILLE	FL	32218	ESSMAN PHILIP C	45 MURFIELD	ST LOUIS	MO	63100	
604731	4UZFCHY4ECFU2305	2014	DS	DP	4364	FL	8/28/2013	9/9/2013	DYLANDS	2190 DELSEA DR		SEWELL	NJ	08080-4238	MCLAUGHLIN JOHN T	3201 BAYSHORE AVE	BRIGHTLINE	NJ	8205	
604732	4UZFCHY5ECFV0705	2014	DS	DP	4374	FL	9/17/2013	9/26/2013	TRANSWEST CO	TRANSWEST FREIGHTLINER LLC	7550 E I25 FRONTAGE RD	FREDERICK	CO	80516-9403	STRONG DOUG	1302 24TH ST WEST #333	BILLINGS	MT	59102	
604733	4UZFCHY5ECFV5939	2014	DS	DP	4018	FL	8/30/2013	9/11/2013	TRANSWEST CO	TRANSWEST FREIGHTLINER LLC	7550 E I25 FRONTAGE RD	FREDERICK	CO	80516-9403	KITTLE WYLAND	24150 HIGHWAY 82 - PO BOX 109	BASALT	CO	81621	
604734	4UZFCHY5ECFT1128	2014	DS	DP	3736	FL	9/3/2013	9/11/2013	TRANSWEST CO	TRANSWEST FREIGHTLINER LLC	7550 E I25 FRONTAGE RD	FREDERICK	CO	80516-9403	QUINN JOHN	13904 BEACON ST	BROOMFIELD	CO	80020	
604735	4UZFCHY8ECFU2307	2014	DS	DP	4369	FL	9/4/2013	9/13/2013	ST LOUIS	GMT AUTO SALES INC	1080 W TERRA LN	O FALLON	MO	63366-2318	STEINER DUANE O	3162 LAKESIDE DR	HIGHLAND	IL	62249	
604736	4UZFCHY8ECFU2308	2014	DS	DP	4369	FL	9/5/2013	9/13/2013	NATIONAL INDOOR GA	NATIONAL INDOOR RV CENTERS LLC	4405 PAXTON LN SW	LILBURN	GA	30047-8422	FRYAR JAMES	1918 SAXON VALLEY CIRCLE	ATLANTA	GA	30319	
604737	4UZFCHY9ECFT8010	2014	DS	DP	4018	FL	8/19/2013	8/27/2013	ST LOUIS	GMT AUTO SALES INC	1080 W TERRA LN	O FALLON	MO	63366-2318	SHINK JEAN		CATAWISSA	MO	63015	
604738	4UZFCHY1ECFU5940	2014	DS	DP	4018	FL	9/23/2013	10/2/2013	TOM JOHNSON	1885 US 70 WEST		MARION	NC	28752-7455						
604739	4UZFCHY8ECFU9145	2014	DS	DP	4369	FL	9/10/2013	9/18/2013	HARPER	1200 E 10TH ST		GREAT BEND	KS	67530	FLAHERTY RON	PO BOX 985	MC PHERSON	KS	67460	
604740	4UZFCHY9ECFV4638	2014	DS	DP	4364	FL	11/1/2013	11/11/2013	NATIONAL INDOOR GA	NATIONAL INDOOR RV CENTERS LLC	4405 PAXTON LN SW	LILBURN	GA	30047-8422	SARGENT CRAIG	64 MANOR ROAD	RANGELEY	ME	4970	
604741	4UZFCHY2ECFT3856	2014	DS	DP	3736	FL	9/24/2013	10/2/2013	NATIONAL INDOOR GA	NATIONAL INDOOR RV CENTERS LLC	4405 PAXTON LN SW	LILBURN	GA	30047-8422	WYRICK TOMMY	15537 E TWOMBLY RD	ROCHELLE	IL	61068	
604742	4UZFCHY3ECFT6883	2014	DS	DP	4018	FL	8/9/2013	8/20/2013	TRANSWEST CO	TRANSWEST FREIGHTLINER LLC	7550 E I25 FRONTAGE RD	FREDERICK	CO	80516-9403	GLANCY GERARD	6390 SOUTH PONDS WAY	LITTLETON	CO	80123	
604743	4UZFCHY0ECF51712	2014	DS	DP	4369	FL	8/7/2013	8/15/2013	STEINBRING	7390 COUNTY ROAD 82	PO BOX 160	GARFIELD	MN	56332						
604744	4UZFCHY7ECF51710	2014	DS	DP	4018	FL	8/5/2013	8/13/2013	MIDWAY	5590 S DIVISION AVE		GRAND RAPIDS	MI	49548	LETICH ROBERT	4410 GLACIER LN. N.	PLYMOUTH	MN	55446	
604745	4UZFCHY4ECF00024	2014	DS	DP	4360	FL	11/8/2013	11/19/2013	INDEPENDENCE	5590 S DIVISION AVE	12705 WEST COLONIAL DR	WINTER GARDEN	FL	34787	MURPHY WILLIAM B & C PAINTING &	5753 HWY 85N, PMB 2515	CRESTVIEW	FL	32536	
604746	4UZFCHY9ECFV0707	2014	DS	DP	4369	FL	9/18/2013	9/26/2013	HOLIDAY WORLD OF HOUSTON	28909 KATY FREEWAY		KATY	TX	77494	WALLCOVERING (CHIL * HARRIS)	4209 GALWAY LN	HOUSTON	TX	77080	
604747	4UZFCHY3ECFU9147	2014	DS	DP	4369	FL	9/19/2013	9/27/2013	MIDWAY	5590 S DIVISION AVE		GRAND RAPIDS	MI	49548	LAUER ROGER A	1836 LANGFIELD LANE	RICHFIELD	WI	53076	
604748	4UZFCHY0ECFU5941	2014	DS	DP	3736	FL	10/1/2013	10/9/2013	GUARANTY RV	20 HWY 99 SOUTH	PO BOX 279	JUNCTION CITY	OR	97448	HOSKINSON JAMES	2255 HARBOR VIEW DR	DUNEDIN	FL	34698	
604749	4UZFCHY6ECFU2306	2014	DS	DP	4360	FL	8/29/2013	9/9/2013	MIDWAY	5590 S DIVISION AVE		GRAND RAPIDS	MI	49548	MACAULEY KURT C	4944 LIPPINCOTT RD	LAPEER	MI	48446	
604750	4UZFCHY0ECFV4639	2014	DS	DP	4369	FL	10/25/2013	11/5/2013	STEINBRING	7390 COUNTY ROAD 82	PO BOX 160	GARFIELD	MN	56332	WORTHEN H W	PO BOX 755	GILLETTE	WY	82171	
604751	4UZFCHY8ECFU4233	2014	DS	DP	4018	FL	10/1/2013	10/10/2013	WILKINS	7520 STATE ROUTE 415		BATH	NY	14810	HADLEY ROBERT G	346 TOWN FARM RD	COVENTRY	RI	2816	
604752	4UZFCHY2ECFV7160	2014	DS	DP	4374	FL	9/24/2013	10/3/2013	CRAIN RV	CRAIN RV LLC	9801 I-30	LITTLE ROCK	AR	72209-3305						
604753	4UZFCHY8ECFU9144	2014	DS	DP	4018	FL	9/10/2013	9/19/2013	DYLANDS	2190 DELSEA DR		SEWELL	NJ	08080-4238	RUSO SANDRA	5 SHERIDAN PLACE	BRIGHTLINE	NJ	8203	
604754	4UZFCHY6ECFU9143	2014	DS	DP	4018	FL	9/11/2013	9/20/2013	MIDWAY	5590 S DIVISION AVE		GRAND RAPIDS	MI	49548	SWORD ORVAL L	2023 EAST SIMS WAY #362	PORT TOWNSEND	WA	98368	
604755	4UZFCHY8ECFU5936	2014	DS	DP	4369	FL	9/12/2013	9/20/2013	MIDWAY	5590 S DIVISION AVE		GRAND RAPIDS	MI	49548	A MOTORS *	16587 ENTERPRISE DR	THREE RIVERS	MI	49093	
604756	4UZFCHY8ECFU4232	2014	DS	DP	4018	FL	9/25/2013	10/3/2013	TOM LINDSTROM	500 W LOS ANGELES AVE		MOORPARK	CA	93021	CREIGHTON STEVEN D	171 W SILVER ST #400	ELKO	NV	89801	
604757	4UZFCHY2ECFV0785	2014	DS	DP	4369	FL	10/21/2013	10/29/2013	NORTH TRAIL	LEE COUNTY RV SALES CO	5270 ORANGE RIVER BLVD	FORT MYERS	FL	33905-2750	MIKE & JOY LOWE RV LLC *	302 N. LAST CHANCE GULCH	HELENA	MT	59601	
604758	4UZFCHY6ECFX00011	2014	DS	DP	4018	FL	11/4/2013	11/12/2013	NORTH TRAIL	LEE COUNTY RV SALES CO	5270 ORANGE RIVER BLVD	FORT MYERS	FL	33905-2750	KRALOVIC ANTHONY J	202 DIGI CIRCLE	MOORESVILLE	NC	28117	
604759	4UZFCHY1ECF5830	2014	DS	DP	4018	FL	11/15/2013	11/26/2013	NORTH TRAIL	LEE COUNTY RV SALES CO	5270 ORANGE RIVER BLVD	FORT MYERS	FL	33905-2750	ROHLER RICHARD C	253 RAINBOW DR #15383	LIVINGSSTON	TX	77399	
604760	4UZFCHY5ECFX1540	2014	DS	DP	4369	FL	11/26/2013	12/6/2013	NORTH TRAIL	LEE COUNTY RV SALES CO	5270 ORANGE RIVER BLVD	FORT MYERS	FL	33905-2750	MURPHIE PATRICK M	6314 94TH ST SW	LAKWOOD	WA	98499-1506	
604761	4UZFCHY3ECFX5831	2014	DS	DP	4018	FL	11/25/2013	12/5/2013	NORTH TRAIL	LEE COUNTY RV SALES CO	5270 ORANGE RIVER BLVD	FORT MYERS	FL	33905-2750	MCKINLEY JOHN	3519 MEMORIAL STREET	ALEXANDRIA	VA	22310	
604762	4UZFCHY9ECFX1539	2014	DS	DP	4369	FL	11/26/2013	12/6/2013	NORTH TRAIL	LEE COUNTY RV SALES CO	5270 ORANGE RIVER BLVD	FORT MYERS	FL	33905-2750	RABB CHRIS	1515 MILLS LANE	FORT MILLS	SC	29708	
604763	4UZFCHY8ECFX7284	2014	DS	DP	4018	FL	11/18/2013	11/26/2013	NORTH TRAIL	LEE COUNTY RV SALES CO	5270 ORANGE RIVER BLVD	FORT MYERS	FL	33905-2750	SWANSON WILLIAM E	14289 2385 E. ST	PRINCETON	IL	61356	
604764	4UZFCHY9ECFX5834	2014	DS	DP	4374	FL	11/19/2013	11/27/2013	NORTH TRAIL	LEE COUNTY RV SALES CO	5270 ORANGE RIVER BLVD	FORT MYERS	FL	33905-2750						
604765	4UZFCHY9ECFX7289	2014	DS	DP	4360	FL	11/26/2013	12/6/2013	NORTH TRAIL	LEE COUNTY RV SALES CO	5270 ORANGE RIVER BLVD	FORT MYERS	FL	33905-2750	MARRS SANDRA J	125 PINNACLE POINTE DR	SENECA	SC	29672	
604766	4UZFCHY9ECFX8418	2014	DS	DP	4018	FL	10/21/2013	10/30/2013	NORTH TRAIL	LEE COUNTY RV SALES CO	5270 ORANGE RIVER BLVD	FORT MYERS	FL	33905-2750	DAVIS TOM	7260 WEST CALLE LEIOS	PERDIO	AZ	85383	
604767	4UZFCHY7ECFX5833	2014	DS	DP	4369	FL	11/19/2013	12/2/2013	NORTH TRAIL	LEE COUNTY RV SALES CO	5270 ORANGE RIVER BLVD	FORT MYERS	FL	33905-2750	VOZZA LOUIS A	11575 CAPTIVA KAY DR	RIVERVIEW	FL	33569	
604768	4UZFCHY4ECFV7158	2014	DS	DP	4018	FL	10/2/2013	10/10/2013	TOM LINDSTROM	500 W LOS ANGELES AVE		MOORPARK	CA	93021	SHIVELY DONALD J RICHARD DAMMAW LLC OR	820 HEDYLAND CT	MOORPARK	CT	93021	
604771	4UZFCHY7ECFV5769	2014	DS	DP	4374	FL	11/27/2013	12/9/2013	NORTH TRAIL	LEE COUNTY RV SALES CO	5270 ORANGE RIVER BLVD	FORT MYERS	FL	33905-2750	JOAN MATHES *	2675 PALMER ST	MISSOULA	MT	59808	
604772	4UZFCHY1ECF00028	2014	DS	DP	4373	FL	11/20/2013	12/2/2013	NORTH TRAIL	LEE COUNTY RV SALES CO	5270 ORANGE RIVER BLVD	FORT MYERS	FL	33905-2750						
604773	4UZFCHY9ECFV8421	2014	DS	DP	4369	FL	10/2/2013	10/11/2013	NORTH TRAIL	LEE COUNTY RV SALES CO	5270 ORANGE RIVER BLVD	FORT MYERS	FL	33905-2750	MCLENAGHAN JOHN R	102 HUGHES RD	PERTH R5	ON	K7H 3C7	
604774	4UZFCHY0ECFV8422	2014	DS	DP	4369	FL	10/3/2013	10/14/2013	NORTH TRAIL	LEE COUNTY RV SALES CO	5270 ORANGE RIVER BLVD	FORT MYERS	FL	33905-2750	SALINSKY CYNTHIA M	1001 STARKS ROAD #798	LARGO	FL	33771	
604775	4UZF																			

Account Number	Address	City	State	Zip	Account Type	Account Name	Address	City	State	Zip	Account Name	Address	City	State	Zip	Account Name	Address	City	State	Zip
604816	4UZFCHCY4ECFW5762	2014	DS	DP	4018	FL	11/6/2013	11/15/2013	TOM JOHNSON	1885 US 70 WEST	MARION	NC	28752-7455	KALITTA) *	843	WILLOW RUN AIRPORT	YPSILANTI	MI	48198	
604817	4UZFCHCYECFX0013	2014	DS	DP	4018	FL	11/14/2013	11/22/2013	MIDWAY	5590 S DIVISION AVE	GRAND RAPIDS	MI	49548	LOCKMAN ROBERT J	630	VINTAGE RESERVE CIRCLE UNIT 2A	NAPLES	FL	34119	
604818	4UZFCHCYSECFW5768	2014	DS	DP	4364	FL	11/7/2013	11/15/2013	STEINBRING	7390 COUNTY ROAD 82	GARFIELD	MN	56332	LANGRIND MARVIN B	2913	26TH AVE S	FARGO	ND	58103	
604819	4UZFCHCY6ECFW5763	2014	DS	DP	4018	FL	10/31/2013	11/8/2013	NORTH TRAIL	5270 ORANGE RIVER BLVD	FORT MYERS	FL	33905-2750	MACCHIA JOHN	128	FLAMING AVE	NAPLES	FL	34108	
604820	4UZFCHCYECFX1534	2014	DS	DP	4369	FL	12/5/2013	12/13/2013	INDEPENDENCE	12705 WEST COLONIAL DR	WINTER GARDEN	FL	34787	HATTER TRAVIS	102	RAINBOW DR #163	LIVINGSTON	TX	77399	
604821	4UZFCHCY3ECFX1536	2014	DS	DP	4369	FL	11/22/2013	12/4/2013	INDEPENDENCE	12705 WEST COLONIAL DR	WINTER GARDEN	FL	34787	WARD BOBBY S	451	OK COVE RD	TITUSVILLE	FL	32780	
604823	4UZFCHCY7ECFW8417	2014	DS	DP	4018	FL	10/18/2013	10/28/2013	MIDWAY	5590 S DIVISION AVE	GRAND RAPIDS	MI	49548	KINSLEY RICHARD	27	SOUTH WINDSAIL PLACE	THE WOODLANDS	TX	77381	
604824	4UZFCHCYECFX4633	2014	DS	DP	4018	FL	10/31/2013	11/8/2013	MIDWAY	5590 S DIVISION AVE	GRAND RAPIDS	MI	49548	SCHRAMM LAWRENCE P	352	LENELL DR	FORT MYERS BEACH	FL	33931	
604825	4UZFCHCY1ECFX0014	2014	DS	DP	4018	FL	11/14/2013	11/22/2013	INDEPENDENCE	12705 WEST COLONIAL DR	WINTER GARDEN	FL	34787							
604826	4UZFCHCYSECFW7287	2014	DS	DP	4018	FL	12/5/2013	12/16/2013	INDEPENDENCE	12705 WEST COLONIAL DR	WINTER GARDEN	FL	34787	BROWN RICHARD F	791	CANAL ROAD	SANBORNVILLE	NH	3872	
604827	4UZFCHCY6ECFX1532	2014	DS	DP	4038	FL	11/14/2013	11/22/2013	ANCIRA	30500 IH-10 WEST	BOERNE	TX	78006	SPAULDING ALAN R	1420	AV L	SANTA FE	TX	77510	
604828	4UZFCHCYECFV0699	2014	DS	DP	3736	FL	11/8/2013	11/18/2013	NATIONAL INDOOR TX	NATIONAL INDOOR STORAGE I LLC	LEWISVILLE	TX	75057-4733	WIMMER JERRY T	10	CR 466	GAINESVILLE	TX	76240	
604830	4UZFCHCYOECFY0128	2014	DS	DP	4018	FL	11/27/2013	12/9/2013	DIAMOND	188 WEST ST	WEST HATFIELD	MA	01088-9524	CRAM BRIAN	11	BROWN AVE	GREENLAND	NH	3840	
604831	4UZFCHCY7ECFX1538	2014	DS	DP	4369	FL	12/6/2013	12/16/2013	FIFE	FIFE RV & AUTO CENTER INC	FIFE	WA	98424-1121							
604832	4UZFCHCY7ECFX1541	2014	DS	DP	4372	FL	12/9/2013	12/17/2013	COACHLIGHT	5327 S GARRISON AVE	CARTHAGE	MO	64836	TRIM RON	10700	FORD ROAD	THEYER	KS	66776	
604833	4UZFCHCYSECFW5771	2014	DS	DP	4369	FL	11/27/2013	12/10/2013	AVALON	1604 MEDINA RD	MEDINA	OH	44256-8118	SANOR JAMES L	38571	VINCENT LANE	LISBON	OH	44432	
604835	4UZFCHCYECFW5761	2014	DS	DP	3736	FL	12/3/2013	12/12/2013	HOLLAND	251 TRAVELERS WAY	SAN MARCOS	CA	92069-2797	FROST THOMAS C	660	SAN DANICHO	SAN DIEGO	CA	92106	
604836	4UZFCHCY6ECFY2045	2014	DS	DP	4018	FL	12/9/2013	12/18/2013	HOLLAND	251 TRAVELERS WAY	SAN MARCOS	CA	92069-2797	AUSTIN FRED M	61535	S. HWY 97 #9-492	BEND	OR	97702	
604838	4UZFCHCY8ECF22219	2014	DS	DP	4369	FL	12/18/2013	1/15/2014	BERRYLAND	42775 PLEASANT RIDGE RD EXT	PONCHATOULA	LA	70454-4756	SULLIVAN MARY	2803	CAMP ZION RD	DOYLINE	LA	71023	
604840	4UZFCHCY7ECFX7288	2014	DS	DP	4374	FL	12/11/2013	1/8/2014	TOM JOHNSON	CENTER CHARLOTTE INC	CONCORD	NC	28027-0120	BELL NANCY A	160	DEO TRAIL	HAWTHORNE	FL	32640	
604841	4UZFCHCY2ECFY0129	2014	DS	DP	4369	FL	12/10/2013	12/18/2013	TOM JOHNSON	CENTER CHARLOTTE INC	CONCORD	NC	28027-0120							
604844	4UZFCHCY3ECFX4231	2014	DS	DP	3736	FL	12/6/2013	12/16/2013	NORTH TRAIL	5270 ORANGE RIVER BLVD	FORT MYERS	FL	33905-2750	GREAT NORTH LLC *	124	WEST PINE STREET	MISSOULA	MT	59802	
604845	4UZFCHCY1ECFX1535	2014	DS	DP	4369	FL	12/6/2013	12/16/2013	NATIONAL INDOOR TX	NATIONAL INDOOR STORAGE I LLC	LEWISVILLE	TX	75057-4733	CRAVEN GARY	602	TOWER CT	COPELL	TX	75019	
604850	4UZFCHCY7ECFY2040	2014	DS	DP	4364	FL	12/12/2013	1/8/2014	HOLIDAY WORLD OF KATY	28909 KATY FREEWAY	KATY	TX	77494	PUSTEJOVESKY BEN	PO BOX 1054		WALLIS	TX	77485	
604851	4UZFCHCY6ECFX0025	2014	DS	DP	4369	FL	12/6/2013	12/17/2013	INDEPENDENCE	12705 WEST COLONIAL DR	WINTER GARDEN	FL	34787	BROWN GERALD S	2711	PALMETTO BEND	RICHMOND	TX	77406	
604864	4UZFCHCYECFV7157	2014	DS	DP	3736	FL	12/13/2013	1/9/2014	HARPER	1200 E 10TH ST	GREAT BEND	KS	67530	HARTON ROBERT	1019	N. 119TH COURT W.	WICHITA	KS	67235	
604870	4UZFCHCY6ECF22218	2014	DS	DP	4373	FL	12/17/2013	1/13/2014	STEINBRING	7390 COUNTY ROAD 82	GARFIELD	MN	56332	HIEL JOHN W	522	KRAMER ROAD	AVON	IL	61245	
703977	4VZBN1D958C061457	2008	KS	DP	3910	S	6/11/2007	6/21/2007	TRAVEL EASY	TRAVEL EASY RV INC	ALBUQUERQUE	NM	87113	CSICERI ANTHONY	908	ALGONQUIN RD	THE VILLAGES	FL	32159	
703992	4VZBN1D908C061382	2008	KS	DP	3916	S	5/31/2007	6/11/2007	ALOHA	8300 PAN AMERICAN FWY NE STE A	ALBUQUERQUE	NM	87113	GOLDEN JIM	3003	PALMDALE DRIVE	MCKINNEY	TX	75075	
704004	4VZBN1D958C061314	2008	KS	DP	3943	S	5/31/2007	6/11/2007	FREEDOM	3735 E IRVINGTON RD	TUCSON	AZ	85714	HARRISON MELVIN	193	RAINBOW DR #9320	LIVINGSTON	TX	77399	
704024	4VZBN1B968C061258	2008	KS	DP	3624	S	5/29/2007	6/6/2007	GUARANTY RV	20 HWY 99 SOUTH	JUNCTION CITY	OR	97448	FRIEDMAN BILL E	11740	W PINE ST	SAND POINT	ID	83864	
704025	4VZBN1D998C061249	2008	KS	DP	3910	S	5/29/2007	6/6/2007	GUARANTY RV	20 HWY 99 SOUTH	JUNCTION CITY	OR	97448	SOUTHWORTH KARL J	250	ROSEWOOD AVE	EUGENE	OR	97404	
704031	4VZBN1D998C061056	2008	KS	DP	3916	S	6/6/2007	6/18/2007	CAPITAL	1900 N BISMARK EXPWY	BISMARCK	ND	58501-2544	SPECHT WILLIAM	2505	CAPITAL #204	YANKTON	SD	57078	
704032	4VZBN1D978C061458	2008	KS	DP	3916	S	6/13/2007	6/25/2007	WILKINS	7520 STATE ROUTE 415	BATH	NY	14810	AUSSIES LLC *	PO BOX 16270		MISSOULA	MT	59808	
704033	4VZBN1B908C061496	2008	KS	DP	3623	S	6/12/2007	6/25/2007	DAVES RV	SIMSO DAVID W	DANBURY	CT	06810	CARNAROLI THOMAS W	10	HIGHLAND DR.	MIDDLEBURY	VT	6762	
704034	4VZBN1B938C060410	2008	KS	DP	3623	S	6/21/2007	7/16/2007	VOGT	VOGT MOTOR HOMES (DBA)	FT WORTH	TX	76117							
704035	4VZBN1D918C061455	2008	KS	DP	3912	S	6/4/2007	6/14/2007	MIDWAY	5590 S DIVISION AVE	GRAND RAPIDS	MI	49548	EHRLICH ROBERT	8150	FLICKER RIDGE	PINCKNEY	MI	48169	
704036	4VZBN1D908C061558	2008	KS	DP	3916	S	6/13/2007	6/26/2007	DAVES CLAREMORE	24655 S HWY 66	CATOOSA	OK	74015	HALE ROY	707	W ROGERS	SKIKATOOK	OK	74070	
704037	4VZBN1D938C061456	2008	KS	DP	3960	S	6/11/2007	6/20/2007	BECKLEYS	BECKLEYS ENTERPRISES INC	THURMONT	MD	21788	LLC *	422	MANNING RD	KALISPELL	MT	59901	
704041	4VZBN1D928C062615	2008	KS	DP	3916	S	6/21/2007	7/16/2007	DIXIE RV	10241 DESTINATION DRIVE	HAMMOND	LA	70403	OURS ROBERT E	5721	BELI HERON CT	BATON ROUGE	LA	70817	
704042	4VZBN1D978C062531	2008	KS	DP	3910	S	6/19/2007	7/12/2007	HOWARD RV	HOWARD RV CENTER (DBA)	WILMINGTON	NC	28405	DOWNY SHIRLA C	1623	DIXIE TRAIL	RALEIGH	NC	27607	
704043	4VZBN1D958C062530	2008	KS	DP	3910	S	6/19/2007	7/11/2007	HOWARD RV	HOWARD RV CENTER (DBA)	WILMINGTON	NC	28405	FABIAN ROBERT S	5489	LARRY AVE	VIRGINIA BEACH	VA	23456	
704044	4VZBN1D928C0621559	2008	KS	DP	3910	S	6/14/2007	6/27/2007	MADISON	9311 MADISON BLVD	MADISON	AL	35758	CHRISTIAN CHARLOTTE C	105	S MARION ST	ATHENS	AL	35611	
704048	4VZBN1D948C062616	2008	KS	DP	3960	S	6/25/2007	7/17/2007	GENERAL	48500 12 MILE RD	WIXOM	MI	48393	RIEDEL PAUL	1155	PURDY LANE	HOWELL	MI	48843	
704049	4VZBN1D998C062675	2008	KS	DP	3910	S	7/12/2007	7/23/2007	GENERAL	48500 12 MILE RD	WIXOM	MI	48393							
704050	4VZBN1D908C062855	2008	KS	DP	3910	S	7/19/2007	7/31/2007	ALOHA	8300 PAN AMERICAN FWY NE STE A	ALBUQUERQUE	NM	87113							
704051	4VZBN1D998C061557	2008	KS	DP	3916	S	6/14/2007	6/27/2007	MIDWAY	5590 S DIVISION AVE	GRAND RAPIDS	MI	49548	RGE ENTERPRISES LLC *	135	W MAIN ST	MISSOULA	MT	59802	
704053	4VZBN1D928C062677	2008	KS	DP	3910	S	6/26/2007	7/18/2007	HORNS	HORNS SALES & SERVICE	SHEBOYGAN	WI	53081	HANGAR 28 LLC *	4325	CLIPPER DR	MANITOWOC	WI	54220	
704055	4VZBN1B908C062681	2008	KS	DP	3624	S	7/13/2007	7/25/2007	BRETZ	4800 GRANT CREEK RD	MISSOULA	MT	59808	SAWATZKY DAVID	PO BOX 371		HEALY	AJ	99743	
704056	4VZBN1B918C062723	2008	KS	DP	3624	S	7/13/2007	7/25/2007	DAVES RV	SIMSO DAVID W	DANBURY	CT	06810	SICKLE CODY T	120	RODEO DRIVE	OYSTER BAY CV	NY	11791	
704058	4VZBN1B988C062735	2008	KS	DP	3623	S	7/23/2007	7/27/2007	ARLINGTON	966 QUAKER LANE	SUPERCENTER INC	RI	02818	CASSELL SALLY A	103	RAINBOW DR #342	LIVINGSTON	TX	77399	
704059	4VZBN1D948C062731	2008	KS	DP	3910	S	7/17/2007	7/26/2007	MIDWAY	5590 S DIVISION AVE	GRAND RAPIDS	MI	49548	NESHEK RUSS	4934	COACH LANE	NAPLES	FL	34114	
704061	4VZBN1D918C062928	2008	KS	DP	3916	S	7/24/2007	8/2/2007	JOHNS	242 GLASSMASTER RD	LEXINGTON	SC	29072	SMITH GARY E	278	RAYMOND RD	POOLER	GA	31322	
704063	4VZBN1D978C062819	2008	KS	DP	3910	S	7/18/2007	7/30/2007	BECKLEYS	BECKLEYS ENTERPRISES INC	THURMONT	MD	21788	BARB CARTER P	39850	COLUMBINE CT	LOVETTSVILLE	VA	20180	
704064	4VZBN1D968C062732	2008	KS	DP	3910	S	7/18/2007	7/30/2007	BALLARDS	5 5849 SOUTHWESTERN BLVD	HAMBURG	NY	14025	BROWN BRUCE R	13022	FULLER RD, PO BOX 577	ADAMS CENTER	NY	13606	
704065	4VZBN1D968C062987	2008	KS	DP	3912	S	7/26/2007	8/8/2007	WILKINS	7520 STATE ROUTE 415	BATH	NY	14810	PELHAM NICHOLAS D	6075	COUNTY ROUTE 11	BATH	NY	14810	
704066	4VZBN																			

704106	4VZBN1D978C064425	2008	KS	DP	3916	5	9/26/2007	10/8/2007	TENNESSEE RV	835 HUCKLEBERRY SPRINGS RD.	KNOXVILLE	TN	37924	RENO RICHARD	6217 MILLER LANE	BELTON	TX	76513	
704108	4VZBN1B978C063794	2008	KS	DP	3624	5	9/18/2007	10/1/2007	NORTH TRAIL	LEE COUNTY RV SALES CO	FORT MYERS	FL	33905	KERNS WAYNE L	2405 E WOODLANDS	ST JOSEPH	MO	64506	
704109	4VZBN1D938C064423	2008	KS	DP	3916	5	9/25/2007	10/4/2007	MIDWAY	5590 S DIVISION AVE	GRAND RAPIDS	MI	49548	BANNING TODD R	2492 HEMLOCK DR	LEHIGHTON	PA	18235	
704111	4VZBN1D998C064426	2008	KS	DP	3910	5	9/27/2007	10/9/2007	ARBOGAST	3540 S COUNTY RD 25 A	TROY	OH	45373	SEELEY MELVIN	RT1 14006 TR 89	WAPAKONETA	OH	45895	
704116	4VZBN1D948C064821	2008	KS	DP	3916	5	10/15/2007	10/24/2007	SAGON	172 VAN MAR BLVD	JACKSON	GA	30233	MUNSELL MICHAEL E	1100 E TIMBER DR	RHINELANDER	WI	54501	
704117	4VZBN1D918C064422	2008	KS	DP	3910	5	9/26/2007	10/8/2007	WALKER	HIGHWAY 122 WEST	NORA SPRINGS	IA	50458	VANDENEINDE FORREST	2212 W ALLEN DR	SPRINGFIELD	MO	65810	
704118	4VZBN1D998C064491	2008	KS	DP	3910	5	10/3/2007	10/15/2007	STEINBRING	3710 SOUTH HIGHWAY 29	ALEXANDRIA	MN	56308-2929	LEIBE ARVID	109 SOUTH MAIN ST	MILBANK	SD	57252	
704119	4VZBN1B948C064434	2008	KS	DP	3624	5	9/27/2007	10/11/2007	WESTERN	NVER ENTERPRISES INC	LYNNWOOD	WA	98036	KARG GARY	1769 CONIFER LANE	OAK HARBOR	WA	98277	
704123	4VZBN1D918C064825	2008	KS	DP	3916	5	10/17/2007	10/29/2007	INDEPENDENCE	& SERVICE INC	WINTER GARDEN	FL	34787	BRYSON GEORGE S	6400 LEE RD	PROSSER	WA	99350	
704124	4VZBN1D998C064751	2008	KS	DP	3910	5	10/15/2007	10/24/2007	MIDWAY	5590 S DIVISION AVE	GRAND RAPIDS	MI	49548	CASTLE ERGON	6555 BAYTREE COURT	ST CLOUD	FL	34771	
704125	4VZBN1D918C064579	2008	KS	DP	3916	5	10/8/2007	10/17/2007	MOUNT COMFORT	5935 W 225 N	GREENFIELD	IN	46140	LEMOINE EUGENE	4653 OAK COVE LANE	ORLANDO	FL	32806	
704126	4VZBN1D9X8C064578	2008	KS	DP	3910	5	10/8/2007	10/17/2007	MOUNT COMFORT	5935 W 225 N	GREENFIELD	IN	46140	LUND JIM	8805 CLASSIC VIEW DR	INDIANAPOLIS	IN	46217	
704127	4VZBN1D9X8C064510	2008	KS	DP	3910	5	11/1/2007	11/13/2007	WILKINS	7520 STATE ROUTE 415	BATH	NY	14810	KOVACS JOSEPH F	4127 SHEIDYS RD	WHITEHALL	PA	18052	
704128	4VZBN1D948C064575	2008	KS	DP	3910	5	10/4/2007	10/16/2007	COACHLIGHT	5327 S GARRISON AVE	CARTHAGE	MO	64836	ROBERTSON DENNIS R	4121 W TILDEN	SPRINGFIELD	MO	64802	
704130	4VZBN1D948C065323	2008	KS	DP	3916	5	10/24/2007	11/6/2007	OUTDOOR LIVING	370 LAKE FRONT DRIVE	RUSSELLVILLE	AR	72801						
704131	4VZBN1D988C065325	2008	KS	DP	3910	5	10/29/2007	11/7/2007	DIXIE RV	10241 DESTINATION DRIVE	HAMMOND	LA	70403	FONTENOT J B	1530 E HWY 30	GONZALES	LA	70737	
704132	4VZBN1D928C065322	2008	KS	DP	3960	5	10/22/2007	10/31/2007	GUARANTY RV	20 HWY 99 SOUTH	JUNCTION CITY	OR	97448	NATHAN TERRY	135 W MAIN ST	MISSOULA	MT	59808	
704133	4VZBN1D978C064506	2008	KS	DP	3910	5	10/23/2007	11/1/2007	GUARANTY RV	20 HWY 99 SOUTH	JUNCTION CITY	OR	97448	YOUNGBLOOD DON	PO BOX 20250	KEIZER	OR	97307	
704134	4VZBN1D938C065412	2008	KS	DP	3916	5	11/1/2007	11/13/2007	HARBERSON	17028 US HWY 19 N	CLEARWATER	FL	33764	MILLER ERIC J	8041 SOUTH ROSINSKI RD	CEDAR	MI	49621	
704135	4VZBN1D978C064750	2008	KS	DP	3912	5	10/11/2007	10/24/2007	NORTH TRAIL	LEE COUNTY RV SALES CO	FORT MYERS	FL	33905	SWENSON TAMMY C	9401 133ST N	SEMINOLE	FL	33776	
704137	4VZBN1D958C064505	2008	KS	DP	3916	5	10/24/2007	11/5/2007	MOUNTAIN VALLEY	410 MAIN ST	GORHAM	NH	03581						
704139	4VZBN1D938C065409	2008	KS	DP	3960	5	11/6/2007	11/15/2007	FREEDOM	3735 E IRVINGTON RD	TUCSON	AZ	85714	SCHISEL DAVID	10821 EAST WALKING STICK DRIVE	TUCSON	AZ	85748	
704140	4VZBN1D918C065327	2008	KS	DP	3910	5	10/31/2007	11/12/2007	TOM SCHAEFFERS	TRAVEL CENTER INC	SHOEMAKERSVILLE	PA	19555	CONSEVAGE DAVID J	1603 CHURCHILL RD	HARRISBURG	PA	17111	
704141	4VZBN1D918C065411	2008	KS	DP	3910	5	10/31/2007	11/12/2007	MIDWAY	5590 S DIVISION AVE	GRAND RAPIDS	MI	49548	J & M TRACKO *	725 SW HIGGINS AVE SUITE C	MISSOULA	MT	59803	
704143	4VZBN1D968C065324	2008	KS	DP	3910	5	11/8/2007	11/20/2007	HARPER	1200 E 10TH ST	GREAT BEND	KS	67530						
704144	4VZBN1B968C064435	2008	KS	DP	3623	5	11/8/2007	11/20/2007	WILKINS	7520 STATE ROUTE 415	BATH	NY	14810	ROUND PHILIP A	1991 FINLEY RD	WALWORTH	NY	14568	
														QUALITY CONSTRUCTION &					
704159	4VZBN1D928C065739	2008	KS	DP	3943	5	12/5/2007	12/17/2007	HOWARD RV	HOWARD RV CENTER (DBA)	WILMINGTON	NC	28405	PRODUCTION L *	129 HWY 89	LAFAYETTE	LA	70508	
704160	4VZBN1D998C065740	2008	KS	DP	3910	5	12/5/2007	12/18/2007	HOWARD RV	HOWARD RV CENTER (DBA)	WILMINGTON	NC	28405						
704162	4VZBN1D958C065413	2008	KS	DP	3910	5	11/12/2007	11/21/2007	LEES RV CITY	13111 N BROADWAY EXT	OKLAHOMA CITY	OK	73114	CUTRIGHT HAROLD	3700 S WESTPORT AVE PMB 665	SIOUX FALL	SD	57106	
704163	4VZBN1D908C065500	2008	KS	DP	3910	5	11/13/2007	11/21/2007	MIDWAY	5590 S DIVISION AVE	GRAND RAPIDS	MI	49548	FEARNEYHOUGH DALE	1007 CORONADO ST W	JACKSONVILLE	IL	62650	
704165	4VZBN1D968C065503	2008	KS	DP	3910	5	11/15/2007	11/29/2007	LEISURE TYME	1490 HWY 98 W	MARY ESTHER	FL	32569	CORTESE C A	110 RAINBOW DRIVE, #1036	LIVINGSTON	TX	77399	
704166	4VZBN1D928C065501	2008	KS	DP	3916	5	11/14/2007	11/28/2007	LEISURE TYME	1490 HWY 98 W	MARY ESTHER	FL	32569	TAYLOR GLENN P	P O BOX 299	HOOD RIVER	OR	97031	
704168	4VZBN1D918C065683	2008	KS	DP	3910	5	11/15/2007	11/29/2007	WALKER	HIGHWAY 122 WEST	NORA SPRINGS	IA	50458	ROBB BRAD	9729 THOMPSON RD	SUMMERLAND	BC	VOV 123	
704169	4VZBN1D9X8C065536	2008	KS	DP	3912	5	11/19/2007	11/30/2007	INDEPENDENCE	& SERVICE INC	WINTER GARDEN	FL	34787	VANDERDRAY JACOB	3723 BARNES BLVD	COLONIAL BEACH	FL	22443	
704170	4VZBN1D928C065725	2008	KS	DP	3916	5	11/21/2007	12/4/2007	INDEPENDENCE	& SERVICE INC	WINTER GARDEN	FL	34787	MOORE BENNIE L	PO BOX 69	WILDORADO	TX	79098	
704171	4VZBN1D9X8C065682	2008	KS	DP	3910	5	11/20/2007	12/3/2007	INDEPENDENCE	& SERVICE INC	WINTER GARDEN	FL	34787	WELBORN JANE T	105 6TH ST NORTH	LAKE HAMILTON	FL	33851	
704172	4VZBN1B938C064585	2008	KS	DP	3623	5	11/19/2007	11/30/2007	INDEPENDENCE	& SERVICE INC	WINTER GARDEN	FL	34787	LA MARACA MARIO V	1728 LEDUC CRESCENT	OTTAWA	ON	K4A 2V1	
704173	4VZBN1D968C065727	2008	KS	DP	3916	5	11/29/2007	12/10/2007	HARPER	1200 E 10TH ST	GREAT BEND	KS	67530	WERNER LARRY W	1716 AVENUE N	ELLSWORTH	KS	67439	
704174	4VZBN1D958C065735	2008	KS	DP	3910	5	12/4/2007	12/13/2007	BECKLEYS	BECKLEYS ENTERPRISES INC	THURMONT	MD	21788	DYKSTRA ALAN J	4 S LOUDOUN DR	LOVETTSVILLE	VA	20180-8510	
704175	4VZBN1D948C065726	2008	KS	DP	3910	5	11/27/2007	12/5/2007	VOGT	5624 AIRPORT FRWY	FT WORTH	TX	76117	HAMMONTRE ROBERT F	5612 CUERO DRIVE	GRANBURY	TX	76049	
704176	4VZBN1D998C065687	2008	KS	DP	3910	5	11/28/2007	12/6/2007	VOGT	5624 AIRPORT FRWY	FT WORTH	TX	76117						
704177	4VZBN1D9X8C065729	2008	KS	DP	3916	5	11/29/2007	12/10/2007	BALLARDS	S 5849 SOUTHWESTERN BLVD	HAMBURG	NY	14075	WRIGHT BRADFORD	5 JUSTIN DR	ELLINGTON	CT	6029	
704178	4VZBN1D908C065724	2008	KS	DP	3912	5	11/28/2007	12/6/2007	WORLD WIDE	CRIST ROBERT & CO	MESA	AZ	85205	BUERKLE ARNIE R	PO BOX 24	KULM	ND	58456	
704179	4VZBN1D998C065737	2008	KS	DP	3960	5	11/29/2007	12/10/2007	WORLD WIDE	CRIST ROBERT & CO	MESA	AZ	85205	BURNHAM GARY L	3714 W BRIARGAGE DR	TUCSON	AZ	85741	
704181	4VZBN1D988C065728	2008	KS	DP	3910	5	11/28/2007	12/6/2007	LEISURE TYME	6428 PENSACOLA BLVD	PENSACOLA	FL	32505	BUSH JESSE C	224 WINDWARD WAY	NICEVILLE	FL	32578	
704182	4VZBN1D908C065738	2008	KS	DP	3910	5	12/4/2007	12/13/2007	LEISURE TYME	6428 PENSACOLA BLVD	PENSACOLA	FL	32505						
704183	4VZBN1D978C065736	2008	KS	DP	3910	5	11/30/2007	12/11/2007	LEES RV CITY	13111 N BROADWAY EXT	OKLAHOMA CITY	OK	73114	BARLOW JACK	BOX 1276	LAQUINTA	CA	92257	
704184	4VZBN1D968C065730	2008	KS	DP	3916	5	11/30/2007	12/11/2007	BRETZ	4800 GRANT CREEK RD	MISSOULA	MT	59808	GARLAND JAMES	12015 MARINE DR #536	MARYSVILLE	WA	98271	
704185	4VZBN1D938C065684	2008	KS	DP	3916	5	11/27/2007	12/5/2007	COACHLIGHT	5327 S GARRISON AVE	CARTHAGE	MO	64836	WHIPPLE WILLIAM L	916 CARNATION DRIVE	WAPAKONETA	OH	45895-1115	
704186	4VZBN1D978C065686	2008	KS	DP	3910	5	11/28/2007	12/6/2007	COACHLIGHT	5327 S GARRISON AVE	CARTHAGE	MO	64836	LEYTHAM BOBBY L	21019 MICHAEL DR	KEARNEY	MO	64606	
704189	4VZBR1B9X9C062810	2009	DS	DP	3623	5	12/19/2007	1/16/2008	LA MESA	LA MESA RV CENTER INC	7430 COPELY PARK PLACE	SAN DIEGO	CA	92111-1122	GONZALES EDITH G	14114 N POPPY ST	EL MIRAGE	AZ	85335
704190	4VZBR1D959C062890	2009	DS	DP	4010	5	1/10/2008	1/23/2008	LA MESA	LA MESA RV CENTER INC	7430 COPELY PARK PLACE	SAN DIEGO	CA	92111-1122	LARKIN STEPHEN M	19462 87TH DR	PEORIA	AZ	85382
704191	4VZBN1D918C066512	2008	KS	DP	3910	5	1/21/2008	2/12/2008	TOM JOHNSON	6700 SPEEDWAY BLVD	CONCORD	NC	28027	KRUSEMARK ROBERT	44816 PLENTYWOOD RD	PERHAM	MA	56573	
704192	4VZBN1D938C065734	2008	KS	DP	3912	5	12/3/2007	12/12/2007	ANSLEY	1280 ROUTE 764	DUNCANVILLE	PA	16635	JENNINGS JAN R	3505 CHATEAU LANE	MURRYSVILLE	PA	15668	
704195	4VZBN1B988C065540	2008	KS	DP	3624	5	12/11/2007	1/8/2008	STEINBRING	3710 SOUTH HIGHWAY 29	ALEXANDRIA	MN	56308-2929	DAHL HARVEY O	11420 103RD ST, NW	SOUTH HAVEN	MN	55382-2928	
704196	4VZBN1B968C064760	2008	KS	DP	3623	5	12/10/2007	12/19/2007	R & S	218 S LAKE OF WOODS ROAD	MAHOMET	IL	61853	BLICK JOHN W	809 N E 6TH AVE	ALADO	IL	61231	
704197	4VZBN1D988C065745	2008	KS	DP	3943	5	12/10/2007	1/9/2008	SAGON	172 VAN MAR BLVD	JACKSON	GA	30233	MORRISON MARK E	628 GASLIGHT DR	ALGONGQUIN	IL	60102	
704198	4VZBN1D918C066395	2008	KS	DP	3916	5	12/13/2007	1/10/2008	INDEPENDENCE	& SERVICE INC	WINTER GARDEN	FL	34787	BAULT DONALD R	1054 GLEN HARBOR CIRCLE	WINTER GARDEN	FL	34787	
704199	4VZBN1D9X8C066394	2008	KS	DP	3916	5	12/10/2007	1/9/2008	INDEPENDENCE	& SERVICE INC	WINTER GARDEN	FL	34787	BRINK LARRY D	414 NE KNIGHTS AVE BOX 579	LAKE CITY	FL	32055	
														MODERN WORLD FINANCE					
704202	4VZBN1D998C066435	2008	KS	DP	3943	5	12/18/2007	1/15/2008	NORTH TRAIL	LEE COUNTY RV SALES CO	5270 ORANGE RIVER BLVD	FORT MYERS	FL	33905	CORP *	201 N FEDERAL HWY	DEERFIELD BEACH	FL	33441
704206	4VZBN1B968C066094	2008	KS	DP	3916	5	1/14/2008	1/23/2008	INDEPENDENCE	& SERVICE INC	12705 WEST COLONIAL DR	WINTER GARDEN	FL	34787	ALLFREY WAYNE L	53 SAWGRASS CIRCLE	LONDONDERRY	NH	3053
704207	4VZBN1D988C066510	2008	KS	DP	3910	5	1/9/2008	1/21/2008	BALLARDS	S 5849 SOUTHWESTERN BLVD	HAMBURG	NY	14075	SCHLEBACH JAMES R	10721 GREINER DR	CLARENCE	NY	14031	
704208	4VZBN1D958C065752	2008	KS	DP	3910	5	1/23/2008	2/14/20											

740019	4VZBT1D949C067855	2009	DA	DP	4304	5	4/16/2008	4/28/2008	LEES RV CITY	13111 N BROADWAY EXT		OKLAHOMA CITY	OK	73114 MASKEW RONNY B	PO BOX 2712		RUIDOSO	NM	88355	
740021	4VZBT1D929C068096	2009	DA	DP	4317	5	5/7/2008	5/20/2008	STEINBRING	7390 COUNTY ROAD 82	PO BOX 160	GARFIELD	MN	56332 CONNER PAT	117 SOUTH MILL ST		FERGUS FALLS	NM	56537	
740022	4VZBT1D959C067900	2009	DA	DP	4320	5	4/24/2008	5/7/2008	WALKER	HIGHWAY 122 WEST	PO BOX 633	NORA SPRINGS	IA	50458 KNAPP CARL	1117 WALNUT AVE		CHARLES CITY	IA	50458	
740023	4VZBT1D919C067974	2009	DA	DP	4304	5	5/2/2008	5/14/2008	COACHLIGHT	5327 S GARRISON AVE		CARTHAGE	MO	64836 LITTLE ROBERT J	PO BOX 152		CHAMBERS	NE	68725	
740024	4VZBT1D999C068032	2009	DA	DP	4304	5	5/2/2008	5/14/2008	WALKER	HIGHWAY 122 WEST	PO BOX 633	NORA SPRINGS	IA	50458 BEAN EARL	6409 BEAVER CREEK RD		OKLAHOMA CITY	OK	73162	
740025	4VZBR1D919C067861	2009	DA	DP	4023	5	5/12/2008	5/21/2008	BRETZ	4800 GRANT CREEK RD		MISSOULA	MT	59808 WEINMAN HERB	14475 SHANNON RD		LOS GATOS	CA	95032	
740026	4VZBT1D919C068686	2009	DA	DP	4320	5	5/22/2008	6/10/2008	MIDWAY	5590 S DIVISION AVE		MIAMI	MI	49548 GUNDERSON DONALD	60636 COUNY RD 652		MATTAWAN	MI	49071	
740027	4VZBT1D9X9C068685	2009	DA	DP	4304	5	5/21/2008	6/9/2008	MIDWAY	5590 S DIVISION AVE		MIAMI	MI	49548 FROST JOHN	96 RIDGEWOOD CRESCENT		CAMBRIDGE	ON	N15 483	
740029	4VZBT1D949C068097	2009	DA	DP	4317	5	5/13/2008	5/27/2008	COACHLIGHT	5327 S GARRISON AVE		CARTHAGE	MO	64836 SHEAFFER LJ	102 STARLIGHT TRAIL		GEORGETOWN	TX	78633	
740030	4VZBT1D949C068746	2009	DA	DP	4304	5	5/28/2008	6/12/2008	ANSLEY	1280 ROUTE 764	PO BOX 239	DUNCANSVILLE	PA	16635						
740031	4VZBT1D969C068747	2009	DA	DP	4331	5	6/11/2008	7/17/2008	HOWARD RV	HOWARD RV CENTER (DBA)	6811 MARKET ST	WILMINGTON	NC	28405 PARKS LAWRENCE L	108 WISTERIA		WALLACE	NC	28466	
740032	4VZBT1D999C069147	2009	DA	DP	4331	5	6/12/2008	7/23/2008	NORTH TRAIL	LEE COUNTY RV SALES CO	5270 ORANGE RIVER BLVD	FORT MYERS	FL	33905 BIRDALL ROBERT E	PO BOX 267 (1704 BAYVIEW AVE)		LARGESAT LIGHT	NJ	8006	
740033	4VZBR1D929C068629	2009	DA	DP	4085	5	6/12/2008	7/23/2008	ALOHA	8300 PAN AMERICAN FWY NE STE A		ALBUQUERQUE	NM	87113 SAMPLES SAM	PMB 5565 155 RAINBOW DRIVE		BIRNINGTON	TX	77399	
740034	4VZBT1D919C069790	2009	DA	DP	4304	5	6/12/2008	7/22/2008	COACHLIGHT	5327 S GARRISON AVE		CARTHAGE	MO	64836						
740036	4VZBR1D9X9C068684	2009	DA	DP	4023	5	7/15/2008	8/6/2008	DIXIE RV	10241 DESTINATION DRIVE		HAMMOND	LA	70403 FISTER JAMES G	13047 BROADWAY ST		FOLSOM	LA	70437	
740038	4VZBT1D919C069823	2009	DA	DP	4331	5	8/6/2008	9/2/2008	MIDWAY	5590 S DIVISION AVE		GRAND RAPIDS	MI	49548 LTM RECREATION LLC *	415 N LAST CHANCE GULCH STE 401		HELENA	MT	59601	
740039	4VZBR1D939C069997	2009	DA	DP	4023	5	8/7/2008	9/3/2008	RON HOOPER	OF HOUSTON INC	16465 KATY FREEWAY	HOUSTON	TX	77094 GARRISON BUDDY	77094 CADENZA		HOUSTON	TX	77040	
740040	4VZBR1D949C069880	2009	DA	DP	4055	5	7/30/2008	8/25/2008	RON HOOPER	OF HOUSTON INC	16465 KATY FREEWAY	HOUSTON	TX	77094 LONG CHARLES W	13014 QUEENSBRURY		HOUSTON	TX	77079	
740041	4VZBT1D939C069788	2009	DA	DP	4304	5	8/5/2008	8/27/2008	TOM JOHNSON	1885 US 70 WEST		MARION	NC	28752 PIERCE RONALD F	7661 PRINCENAL DR. UNIT #312		MCLEAN	VA	22102	
740043	4VZBR1D959C069998	2009	DA	DP	4023	5	8/7/2008	9/4/2008	WALKER	HIGHWAY 122 WEST	PO BOX 633	NORA SPRINGS	IA	50458 LANGE GAIL L	51655 590TH ST		ATLANTIC	IA	50022	
740044	4VZBT1D989C070001	2009	DA	DP	4304	5	8/6/2008	9/2/2008	WALKER	HIGHWAY 122 WEST	PO BOX 633	NORA SPRINGS	IA	50458 COOPER PAUL	1 KINGFISHER DR		ELMIRA	ON	N3B 3B4	
740047	4VZBT1D939C070035	2009	DA	DP	4304	5	9/2/2008	9/24/2008	COACHLIGHT	5327 S GARRISON AVE		CARTHAGE	MO	64836 BIELLAND DUANE	PO BOX 1944		BOXMENAN	MT	59771	
740048	4VZBT1D999C070122	2009	DA	DP	4331	5	9/3/2008	9/24/2008	PROFESSIONAL SALES	1809 JOHN MCCAIN RD	PO BOX 1018	COLLEVILLE	TX	76034-6371 SZMYRKO GARRY	PO BOX 254		BOYLE	AB	TOA 0M0	
740049	4VZBT1D979C070152	2009	DA	DP	4317	5	9/16/2008	10/7/2008	COACHLIGHT	5327 S GARRISON AVE		CARTHAGE	MO	64836 SMITH MARVIN	31990 S 324 PL #75		GROVE	OK	74344	
740050	4VZBT1D919C070177	2009	DA	DP	4320	5	9/17/2008	10/8/2008	NORTH TRAIL	LEE COUNTY RV SALES CO	5270 ORANGE RIVER BLVD	FORT MYERS	FL	33905 BERTAND MICHEL	5159 DUBLIN STREET		MONTREAL	QC	H3K 2S2	
														GREELEY INVESTMENTS OF						
740051	4VZBT1D929C070236	2009	DA	DP	4331	5	9/18/2008	10/9/2008	MIDWAY	5590 S DIVISION AVE		GRAND RAPIDS	MI	49548 MONTANA LLC *	2675 PALMER ST, SUITE F		MISSOULA	MT	59808	
740052	4VZBT1D969C070238	2009	DA	DP	4317	5	10/8/2008	10/29/2008	TOM JOHNSON	6700 BRUTON SMITH BLVD		CONCORD	NC	28027 BOHANNON JAMES H	319 HORSHOE RD		APPOINTOXX	VA	24522	
740053	4VZBT1D969C070319	2009	DA	DP	4331	5	10/8/2008	10/30/2008	TOM JOHNSON	6700 BRUTON SMITH BLVD		CONCORD	NC	28027 GLOVER DONALD L	2050 COUNTY ROAD 700 EAST		MILL SHOALS	IL	62862	
740054	4VZBT1D949C070318	2009	DA	DP	4331	5	10/7/2008	10/29/2008	TOM JOHNSON	1885 US 70 WEST		MARION	NC	28752 WHITE RICHARD L	3916 N POTSDAM AVE #F311836		SIoux FALLS	SD	57104	
740055	4VZBT1D929C070320	2009	DA	DP	4331	5	11/5/2008	12/8/2008	USRV	137 MYRICKS CT		BERKLEY	MA	02779 OLIVEIRA DOUGLAS	7 DORSET STREET		NORWOOD	MA	2062	
740056	4VZBT1D999C070380	2009	DA	DP	4317	5	2/3/2009	2/18/2009	TOM JOHNSON	1885 US 70 WEST		MARION	NC	28752 MATLOCK RONALD J	30 SUTTON PL		JACKSON	TN	38305	
740059	4VZBT1D929C071001	2010	DA	DP	4304	5	4/7/2009	4/20/2009	DIXIE RV	10241 DESTINATION DRIVE		HAMMOND	LA	70403 HORNSBY MONTIE J	2025 WASHINGTON ST		FRANKLINTON	LA	70438	
740061	4VZBR1D949C070057	2010	DA	DP	4085	5	4/13/2009	4/24/2009	INDEPENDENCE	& SERVICE INC	12705 WEST COLONIAL DR	WINTER GARDEN	FL	34787 CONWELL JOHN H	PO BOX 6647		HOUSTON	TX	77265	
740062	4VZBT1D95AC071126	2010	DA	DP	4304	5	5/12/2009	5/26/2009	CAMPER COACHES	1701 S LOOP 289		LUBBOCK	TX	79423 OWENS RALPH	4202 78TH ST VILLA ONE		LUBBOCK	TX	79263	
740063	4VZBT1D99AC071260	2010	DA	DP	4320	5	5/22/2009	6/2/2009	ALOHA	8300 PAN AMERICAN FWY NE STE A		ALBUQUERQUE	NM	87113 MURRAY CLIFF	1816 HORSHOE PIKE		HONEYBROOK	PA	19344	
740064	4VZBT1D98AC071265	2010	DA	DP	4317	5	5/28/2009	6/5/2009	STEINBRING	7390 COUNTY ROAD 82	PO BOX 160	GARFIELD	MN	56332 STEINMETZ MARK	1493 N 2919TH RD		OTTAWA	IL	61350	
740065	4VZBT1D97AC071287	2010	DA	DP	4304	5	6/1/2009	6/9/2009	HARPER	1200 E 10TH ST	PO BOX 1993	GREAT BEND	KS	67530 CRAWFORD WILLIAM C	PO BOX 363 - 604 N W 3RD		PLAINVILLE	KS	67663	
740066	4VZBT1D90AC071292	2010	DA	DP	4317	5	6/3/2009	6/12/2009	MIDWAY	5590 S DIVISION AVE		GRAND RAPIDS	MI	49548 CARLSON BARRY	9617 LEESIDE COURT		WINDERMERE	FL	34786	
740068	4VZBT1D93AC071299	2010	DA	DP	4317	5	7/7/2009	7/16/2009	DIXIE RV	10241 DESTINATION DRIVE		HAMMOND	LA	70403 CAHOON BOB	PO BOX 909		MAGNOLIA SPRINGS	AL	36555	
740069	4VZBT1D96AC071362	2010	DA	DP	4317	5	7/16/2009	7/29/2009	LEES RV CITY	13111 N BROADWAY EXT		OKLAHOMA CITY	OK	73114 HOFER RICH	3916 NORTH POTSDAM AVE #1584		SIoux FALLS	SD	57104	
740070	4VZBT1D96AC071409	2010	DA	DP	4304	5	7/23/2009	8/5/2009	LEES RV CITY	13111 N BROADWAY EXT		OKLAHOMA CITY	OK	73114 DURANT JAMES	8 PRINCESS TREE CT.		PORT JEFFERSON	NY	11777	
740071	4VZBT1D93AC071450	2010	DA	DP	4304	5	8/3/2009	8/13/2009	STEINBRING	7390 COUNTY ROAD 82	PO BOX 160	OKLAHOMA CITY	MN	56332 HOLCOMB KEVIN	824 NORTH STAR DRIVE		BLACK RIVER FALLS	WI	54465	
740072	4VZBT1D91AC071494	2010	DA	DP	4304	5	9/24/2009	10/7/2009	LEES RV CITY	13111 N BROADWAY EXT		OKLAHOMA CITY	OK	73114 HAYES ROBERT S	519 ALBINO RD		CORRALES	NM	87048	
740073	4VZBR1D90AC070058	2010	DA	DP	4023	5	10/7/2009	10/20/2009	STEINBRING	7390 COUNTY ROAD 82	PO BOX 160	GARFIELD	MN	56332 SCHUMACHER JAMES F	31599 210TH ST		SLEEPY EYE	NM	56085	
740074	4VZBR1D95AC072808	2010	DA	DP	4023	5	1/28/2010	2/8/2010	STEINBRING	7390 COUNTY ROAD 82	PO BOX 160	GARFIELD	MN	56332 BURI DOUG	902 S 7TH ST		MILBANK	SD	57252	
740075	4VZBT1D99BC072569	2010	DA	DP	4304	5	1/22/2010	2/2/2010	LEES RV CITY	13111 N BROADWAY EXT		OKLAHOMA CITY	OK	73114 WARD RONALD	14325 SKYLINE RD NE		ALBUQUERQUE	NM	87123	

CANADIAN

Prod #	VIN Number	Year	Brand	Type	Plan	Floor	Chass	Date In Prod	Date Off Prod	Dir	Name Shipped	Sold to add 1	Sold to add 2	Sold to city	Account name	Address line 1	City	State	Zip Code	
110161	1F6MFS3Y270A03641	2008	BS	CA	2701	F		6/1/2007	6/12/2007	WOODYS	91 COMMERCIAL CRT	CALGARY	AB	T3Z 2A6	CONRAD NORMAN	RR 2	OLDS	AB	T4H 1P3	
110162	1F6MFS3Y070A03640	2008	BS	CA	2701	F		5/29/2007	6/6/2007	WOODYS	91 COMMERCIAL CRT	CALGARY	AB	T3Z 2A6	DURAND DEAN	#08 PARKRIDGE CLOSE	CAMROSE	AB	T4V 4P1	
110184	1F6NFS3Y470A06111	2008	BS	CA	3201	F		9/4/2007	9/12/2007	#1 RV CENTRE	PO BOX 338	MOOSE JAW	SK	S6H 4N9	HAHN RANDY	#3 - 802 2ND AVE NW	MOOSE JAW	SK	56H 3P9	
110185	1F6NFS3Y670A06112	2008	BS	CA	3202	F		9/4/2007	9/12/2007	#1 RV CENTRE	PO BOX 338	MOOSE JAW	SK	S6H 4N9	JAMIESON JOANNE	2354 SAINT JOHN ST	REGINA	SK	54V 1S6	
110186	1F6MFS3Y370A06564	2008	BS	CA	2701	F		9/13/2007	9/25/2007	PIERRE ST CYR	3465 CH DE L'INDUSTRIE	LANGLEY	QC	J3G 4S5	FORTIN MARCEL	9445 RANCOURT	MONTREAL	QC	H1Z 2P2	
110199	1F6MFS3Y470A04922	2008	BS	CA	2901	F		8/21/2007	8/30/2007	TRAVELAND	TRAVELAND LEISURE VEH LTD	20529 LANGLEY BY PASS	LANGLEY	BC	V3A 5E8	WATTEROOT ADOLF W	5656 SUNDALVE GROVE ST	SURREY	BC	V3S 7M7
110206	1F6NFS3Y870A06113	2008	BS	CA	3202	F		9/11/2007	9/20/2007	WOODYS	91 COMMERCIAL CRT	CALGARY	AB	T3Z 2A6	PARKER COLIN	61 DOUGLASSVIEW RISE SE	CALGARY	AB	T2Z 2P5	
110214	1F6MFS3Y270A07737	2008	BS	CA	2901	F		10/23/2007	11/1/2007	TRAVELAND	TRAVELAND LEISURE VEH LTD	20529 LANGLEY BY PASS	LANGLEY	BC	V3A 5E8	OSBORNE ANITA	11407 77TH AVE	DELTA	BC	V4C 1M2
110216	1F6MFS3Y170A06563	2008	BS	CA	2901	F		10/18/2007	10/30/2007	TRAVELAND	TRAVELAND LEISURE VEH LTD	20529 LANGLEY BY PASS	LANGLEY	BC	V3A 5E8					
110218	1F6MFS3Y570A06565	2008	BS	CA	2901	F		10/23/2007	11/1/2007	PIERRE ST-CYR	3465 CH DE L'INDUSTRIE	ST MATHIEU DE BEOIL	QC	J3G 4S5	LOBRY LEON	65 ADOPHE MONTICELLI	PERPIGNAN	FR	66000	
110221	1F6MFS3Y270A08404	2008	BS	CA	2901	F		1/23/2008	2/14/2008	PIERRE ST CYR	3465 CH DE L'INDUSTRIE	ST MATHIEU DE BEOIL	QC	J3G 4S5	TAYLOR MARGARET	3117 NORTH WIND AVE	DOVER	PA	17315	
110235	1F6MFS3Y270A07740	2008	BS	CA	2901	F		12/18/2007	1/15/2008	WOODYS	91 COMMERCIAL CRT	CALGARY	AB	T3Z 2A6	ELHART DON	10 SCOTT GREEN S E	MEDICINE HAT	AB	T1B 4M5	
110238	1F6MFS3Y470A07741	2008	BS	CA	2901	F		1/9/2008	1/21/2008	MIDTOWN	310 INDUSTRIAL AVE W	PENTICTON	BC	V2A 9B3	COCKER AL	#2 DENMORE CRES	RED DEER	AB	T4R 2L8	
110239	1F6NFS3YX70A08817	2008	BS	CA	3201	F		1/9/2008	1/21/2008	PIERRE ST CYR	3465 CH DE L'INDUSTRIE	ST MATHIEU DE BEO								

110386	1F6NF53Y590A01079	2010	BS	CA	3304	F	10/27/2009	11/5/2009	MIDTOWN	310 INDUSTRIAL AVE W	PENTICTON	BC	V2A 9B3	NEVARD GARY	8-980 CEDAR ST	OKANAGAN FALLS	BC	VOH 1R4
110387	1F6MF53Y490A00677	2010	BS	CA	2901	F	10/29/2009	11/9/2009	MIDTOWN	310 INDUSTRIAL AVE W	PENTICTON	BC	V2A 9B3	BEAULAC CLEM	#604 - 160 LAKESHORE DR	PENTICTON	BC	V2A 9C2
110406	1F6NF53Y890A01271	2010	BS	CA	2902	F	12/11/2009	1/13/2010	PIERRE ST CYR	3465 CH DE L'INDUSTRIE	ST MATHIEU DE BELOEIL	QC	J3G 4S5	FRECHETTE JEAN L	3085 DU MAJOR	LONGUEUIL	QC	J4L 4K8
110408	1F6MF53Y090A01549	2010	BS	CA	2901	F	12/15/2009	1/18/2010	BUCARS	REDSON RESOURCE MANAGEMENT LTD	BALZAC	AB	TOM 0E0	CLARK LORRA	71 DOUGLAS VIEW RD SE	CALGARY	AB	T22 2S8
110411	1F6NF53Y290A01959	2010	BS	CA	2902	F	12/16/2009	1/19/2010	PIERRE ST CYR	3465 CH DE L'INDUSTRIE	ST MATHIEU DE BELOEIL	QC	J3G 4S5	CORBIN QUERRY L	460 DE DIEPPE	CALGARY	QC	J3E 1C9
110416	1F6NF53Y090A01961	2010	BS	CA	2901	F	2/10/2010	2/19/2010	BUCARS	REDSON RESOURCE MANAGEMENT LTD	BALZAC	AB	TOM 0E0	BANACK GORDON	12058 DIAMOND VIEW SE	CALGARY	AB	T2J 7B1
110423	1F6MF53Y590A01949	2010	BS	CA	2901	F	3/1/2010	3/10/2010	TRAVELAND	TRAVELAND LEISURE VEH LTD	LANGLEY	BC	V3A 5E8	SHEN PAUL	667 248 STREET	ALDERGROVE	BC	V4W 2C2
110425	1F6NF53Y690A01964	2010	BS	CA	2901	F	3/4/2010	3/15/2010	PIERRE ST CYR	3465 CH DE L'INDUSTRIE	ST MATHIEU DE BELOEIL	QC	J3G 4S5	CREPEAU SERGE	757 SORBIERE RUE	CALGARY	QC	G1B 2P7
110426	1F6NF53YX90A01966	2010	BS	CA	3202	F	3/8/2010	3/16/2010	BUCARS	REDSON RESOURCE MANAGEMENT LTD	BALZAC	AB	TOM 0E0	MCDONALD WAYNE	7310 - 41ST AVE	CAMORSE	QC	V44 4W4
110427	1F6NF53Y890A01965	2010	BS	CA	3202	F	3/9/2010	3/17/2010	BUCARS	REDSON RESOURCE MANAGEMENT LTD	BALZAC	AB	TOM 0E0	BISHOP DAVE	BOX 691	PENHOLD	AB	TOM 1R0
110428	1F6MF53Y790A01550	2010	BS	CA	2901	F	3/10/2010	3/18/2010	BUCARS	REDSON RESOURCE MANAGEMENT LTD	BALZAC	AB	TOM 0E0	GIESBRECHT ROD	64 MT CRANDELL CRES. WEST	LETHBRIDGE	AB	T1K 6J5
110429	1F6MF53YX90A01557	2010	BS	CA	2902	F	3/10/2010	3/18/2010	BUCARS	REDSON RESOURCE MANAGEMENT LTD	BALZAC	AB	TOM 0E0	ZAKRESKY JIM	5270 TASA PLACE	PRINCE GEORGE	BC	V2K 4J3
110431	1F6F55DY980A00574	2011	BS	CA	3302	F	3/16/2010	3/23/2010	MIDTOWN	310 INDUSTRIAL AVE W	PENTICTON	BC	V2A 9B3	NESS CLAYTON	3915 - SONOMA PINES DRIVE	WESTBANK	BC	V4T 2Z5
110432	1F6F55DY580A00230	2011	BS	CA	2901	F	3/17/2010	3/29/2010	MIDTOWN	310 INDUSTRIAL AVE W	PENTICTON	BC	V2A 9B3	ROTH ALLAN	6939 HAWTHORNE PL	AGASSIZ	BC	VOM 1B3
110455	1F6F55DY180A01346	2011	BS	CA	2902	F	5/12/2010	5/24/2010	ISLANDER RV	260 PADDY'S POND RD	ST JOHNS	NF	A1B 3M7	BENSON ROBERT H	15 MOUNTBATTEN DRIVE	ST JOHNS	NL	A1A 3X9
110456	1F6F55DY780A00231	2011	BS	CA	2901	F	5/14/2010	5/25/2010	ISLANDER RV	260 PADDY'S POND RD	ST JOHNS	NF	A1B 3M7	ROBERTS GEORGE M	50 ELIZABETH DRIVE	PARADISE	NL	A1L 164
110457	1F6F55DY080A01743	2011	BS	CA	3302	F	5/19/2010	5/27/2010	ISLANDER RV	260 PADDY'S POND RD	ST JOHNS	NF	A1B 3M7	FRENCH DON	3 MERRYWOOD EST	PORTUGAL COVE	NL	A1M 156
110462	1F6F55DY280A01887	2011	BS	CA	2901	F	6/10/2010	6/21/2010	MIDTOWN	310 INDUSTRIAL AVE W	PENTICTON	BC	V2A 9B3	SINGBEIL RAY	#139-2250 - LOUIS DR	WEST BANC	BC	V4T 2M6
110463	1F6F55DY980A00232	2011	BS	CA	2901	F	6/11/2010	6/22/2010	MIDTOWN	310 INDUSTRIAL AVE W	PENTICTON	BC	V2A 9B3	ENAS ADAM	BOX 5047	PENTICTON	BC	V2A 8L8
110476	1F6F55DY580A02564	2011	BS	CA	3302	F	7/13/2010	7/26/2010	MIDTOWN	310 INDUSTRIAL AVE W	PENTICTON	BC	V2A 9B3	FRENCH BIL	SITE 11, CONE 68	NARAMATA	BC	VOH 1N0
110477	1F6F55DY980A02566	2011	BS	CA	3302	F	7/15/2010	7/27/2010	MIDTOWN	310 INDUSTRIAL AVE W	PENTICTON	BC	V2A 9B3	MAURIC CONTRACTING LTD *	#304 CASALE PLACE	CANMORE	AB	T1W 3G2
110479	1F6F55DY380A02644	2011	BS	CA	3302	F	7/15/2010	7/28/2010	PIERRE ST CYR	3465 CH DE L'INDUSTRIE	ST MATHIEU DE BELOEIL	QC	J3G 4S5	MARC GAGNON	7705 SHERBOOKE EST #409	MONTREAL	QC	H1L 6S2
110480	1F6F55DY680A00236	2011	BS	CA	2901	F	7/19/2010	7/29/2010	ISLANDER RV	260 PADDY'S POND RD	ST JOHNS	NF	A1B 3M7	FRENCH VICTOR	PO BOX 486/ROCKY POND RD	BAY ROBSON	NL	AOA 1G0
110481	1F6F55DY480A00235	2011	BS	CA	2901	F	7/20/2010	7/30/2010	PIERRE ST CYR	3465 CH DE L'INDUSTRIE	ST MATHIEU DE BELOEIL	QC	J3G 4S5	LEPAGE WILFRID	4 DU ROCHER	ST SIMONS	QC	GOL 4C0
110488	1F6F55DYX80A02561	2011	BS	CA	3302	F	8/2/2010	8/10/2010	PINE ACRES	80 COMMERCE ST	MONCTON	NB	E1H 0A5	LELBANC BERTIN	19 CH LEOPOLD GOGUEU	SAINT MARIE DE KENT	NB	E4S 1W5
110489	1F6F55DY380A02420	2011	BS	CA	3405	F	8/10/2010	8/19/2010	PINE ACRES	PO BOX 40	KENSINGTON	PE	COB 1M0					
110494	1F6F55DY280A01352	2011	BS	CA	2901	F	8/10/2010	8/19/2010	PIERRE ST CYR	3465 CH DE L'INDUSTRIE	ST MATHIEU DE BELOEIL	QC	J3G 4S5	FORTIER LOUIS	1795 MENT CARMEL	LAVAL	QC	H7E 4C9
110498	1F6F55DY380A02563	2011	BS	CA	3302	F	8/9/2010	8/18/2010	MIDTOWN	310 INDUSTRIAL AVE W	PENTICTON	BC	V2A 9B3	BIJMAN JAN	486 WOODFRY AVE	PENTICTON	BC	V2A 2H5
110509	1F6F55DY380A04040	2011	BS	CA	3205	F	9/7/2010	9/16/2010	BUCARS	REDSON RESOURCE MANAGEMENT LTD	BALZAC	AB	TOM 0E0	BAGBY MIKE	261002 RR 24	CALGARY	AB	T3R 1E3
110510	1F6F55DY180A04212	2011	BS	CA	2901	F	9/2/2010	9/15/2010	BUCARS	REDSON RESOURCE MANAGEMENT LTD	BALZAC	AB	TOM 0E0	MILO DOUG	316 WHITELAND DR NE	CALGARY	AB	T1J 3M6
110511	1F6F55DY380A04213	2011	BS	CA	2702	F	9/8/2010	9/17/2010	BUCARS	REDSON RESOURCE MANAGEMENT LTD	BALZAC	AB	TOM 0E0	BRANDSON THORKELL (547 STURGEON DRIVE	SASKATOON	SK	S7K 4H4
110523	1F6F55DY080A04878	2011	BS	CA	2901	F	10/11/2010	10/20/2010	MIDTOWN	310 INDUSTRIAL AVE W	PENTICTON	BC	V2A 9B3					
110560	1F6F55DY780A06210	2011	BS	CA	2901	F	12/8/2010	1/3/2011	TRAVELAND	TRAVELAND LEISURE VEH LTD	LANGLEY	BC	V3A 5E8	NICHOLS JOHN	15790 100 AVE	SURREY	BC	V4N 2B2
110561	1F6F55DY780A06207	2011	BS	CA	2901	F	12/9/2010	1/4/2011	TRAVELAND	TRAVELAND LEISURE VEH LTD	LANGLEY	BC	V3A 5E8	PERRY BARBARA	5575 CRAWLEY DRIVE	CHILLIWACK	BC	V2R 0P7
110564	1F6F55DY580A05749	2011	BS	CA	2901	F	12/2/2010	12/13/2010	BUCARS	REDSON RESOURCE MANAGEMENT LTD	BALZAC	AB	TOM 0E0	BURROWS GERRY	RR1	PRIDDIS	AB	TOL 1W0
110593	1F6F55DY880A06771	2011	BS	CA	2901	F	3/17/2011	3/28/2011	TRAVELAND	TRAVELAND LEISURE VEH LTD	LANGLEY	BC	V3A 5E8	DICKSON DONALD W	16939 22ND AVE	WHITEROCK	BC	V3S 9Z3
110625	1F6F55DY480A09697	2011	BS	CA	2901	F	4/21/2011	5/3/2011	3-D SALES	19 HIGHLAND AVE	CORNER BROOK	NF	A2H 2K9					
110626	1F6F55DY680A09698	2011	BS	CA	2901	F	4/26/2011	5/5/2011	3-D SALES	19 HIGHLAND AVE	CORNER BROOK	NF	A2H 2K9	DEARING HUNTER	PO BOX 175/8 KINGS RD	VICTORIA	NL	AOA 4G0
110628	1F6F55DY680A08532	2011	BS	CA	2702	F	4/29/2011	5/10/2011	PIERRE ST CYR	3465 CH DE L'INDUSTRIE	ST MATHIEU DE BELOEIL	QC	J3G 4S5	LEDUC PIERRE	709 RUE AVE	GREENFIELD PARK	QC	J4V 2C6
110634	1F6F55DYX80A08534	2011	BS	CA	2702	F	5/9/2011	5/18/2011	PIERRE ST CYR	3465 CH DE L'INDUSTRIE	ST MATHIEU DE BELOEIL	QC	J3G 4S5	LAPERLIER BERNARD	910 DES PATRIOTES	STE ROSE	QC	H7L 2M8
110635	1F6F55DY580A08747	2011	BS	CA	2901	F	5/12/2011	5/23/2011	PIERRE ST CYR	3465 CH DE L'INDUSTRIE	ST MATHIEU DE BELOEIL	QC	J3G 4S5	CHALFOUX CLAUDE	1254 CAMILLE	SAINT JEROME	QC	J5L 2K7
110637	1F6F55DY780A08894	2011	BS	CA	2901	F	5/11/2011	5/20/2011	TRAVELAND	TRAVELAND LEISURE VEH LTD	LANGLEY	BC	V3A 5E8	KANG SUNG	2378 ORKNEY PLACE	COUTENAY	BC	V9N 1G5
110654	1F6F55DYXCOA02478	2012	BS	CA	3302	F	12/21/2011	1/17/2012	BELLA VISTA	31 BOOTH ST	HAWKSTONE	ON	L0L 1T0	REID DAVID	105 161 LINDSAY STREET	NORTH BAY	ON	P1B 8P6
110665	1F6F55DY180A10435	2012	BS	CA	3302	F	6/27/2011	7/15/2011	MIDTOWN	310 INDUSTRIAL AVE W	PENTICTON	BC	V2A 9B3	SCHNEIDER ARNOLD	5012 - BUNTING COURT	KELOWNA	BC	V1W 5G6
110666	1F6F55DY880A10153	2012	BS	CA	2901	F	7/11/2011	7/21/2011	MIDTOWN	310 INDUSTRIAL AVE W	PENTICTON	BC	V2A 9B3	MCEWEN MAC	8092 - 192ST	SURREY	BC	V4W 5S9
110671	1F6F55DY280A10542	2012	BS	CA	3310	F	7/13/2011	7/22/2011	PIERRE ST CYR	3465 CH DE L'INDUSTRIE	ST MATHIEU DE BELOEIL	QC	J3G 4S5	FORTIN VINCENT L	2540 RUE DE ROME	STE-JULIE	QC	J3E 2K3
110672	1F6F55DY380A10436	2012	BS	CA	3305	F	7/12/2011	7/22/2011	PIERRE ST CYR	3465 CH DE L'INDUSTRIE	ST MATHIEU DE BELOEIL	QC	J3G 4S5	CHAREST ROBERT H	329 OAKCREST WAY	OTTAWA	ON	K4A 0S2
110673	1F6F55DY980A10274	2012	BS	CA	2901	F	7/19/2011	8/1/2011	PIERRE ST CYR	3465 CH DE L'INDUSTRIE	ST MATHIEU DE BELOEIL	QC	J3G 4S5					
110674	1F6F55DY780A10273	2012	BS	CA	2901	F	7/14/2011	7/25/2011	PIERRE ST CYR	3465 CH DE L'INDUSTRIE	ST MATHIEU DE BELOEIL	QC	J3G 4S5	LAGACE YUES	1073 RANG DOUBLE	ST LIN-DES-LIAURETTIDES	QC	J5N 1X8
110677	1F6F55DY080A10275	2012	BS	CA	2901	F	7/19/2011	7/28/2011	TRAVELAND	TRAVELAND LEISURE VEH LTD	LANGLEY	BC	V3A 5E8	LI YOU	7287 PANDORA STREET	BURNABY	BC	V5A 1B8
110706	1F6F55DYOCOA00069	2012	BS	CA	2702	F	8/29/2011	9/12/2011	BUCARS	REDSON RESOURCE MANAGEMENT LTD	BALZAC	AB	TOM 0E0	ANDERSON WILLIAM	16 DEERSAXON CIRCLE SE	CALGARY	AB	T2J 6R5
110707	1F6F55DY8COA00289	2012	BS	CA	3302	F	8/26/2011	9/8/2011	BUCARS	REDSON RESOURCE MANAGEMENT LTD	BALZAC	AB	TOM 0E0	LEVY DOUG	212 LAKE STAFFORD DRIVE	BROOKS	AB	T1R 1N5
110708	1F6F55DY6COA00288	2012	BS	CA	2901	F	8/26/2011	9/9/2011	BUCARS	REDSON RESOURCE MANAGEMENT LTD	BALZAC	AB	TOM 0E0	DERGOUSSOFF JACK	25 NEVADA PLACE WEST	LETHBRIDGE	AB	T1K 4A8
110712	1F6F55DY980A11702	2012	BS	CA	2702	F	9/20/2011	10/3/2011	PIERRE ST CYR	3465 CH DE L'INDUSTRIE	ST MATHIEU DE BELOEIL	QC	J3G 4S5	HAMEL BERTRAND	253 COTE SAINT PATRICE	ST LAMENT ILE DOELEAN	QC	GOA 3Z0
110723	1F6F55DYSCOA00508	2012	BS	CA	2901	F	10/7/2011	10/19/2011	TRAVELAND	TRAVELAND LEISURE VEH LTD	LANGLEY	BC	V3A 5E8	KRAUSE GHERARD	#25-3300-157A STREET	SURREY	BC	V3S 2P2
110724	1F6F55DY7COA00509	2012	BS	CA	3302	F	10/10/2011	10/20/2011	TRAVELAND	TRAVELAND LEISURE VEH LTD	LANGLEY	BC	V3A 5E8	MCMILLAN IAN	PH 4 6888 STATION HILL DRIVE	BURNABY	BC	V3N 4X5
110725	1F6F55DY7COA01367	2012	BS	CA	2901	F	10/31/2011	11/9/2011	TRAVELAND	TRAVELAND LEISURE VEH LTD	LANGLEY	BC	V3A 5E8	ZHU GUO X	5691 LUDLOW ROAD	RICHMOND	BC	V7Z 2Z5
110731	1F6F55DY9COA01192	2012	BS	CA	2901	F	10/18/2011	10/27/2011	MIDTOWN	310 INDUSTRIAL AVE W	PENTICTON	BC	V2A 9B3	BERG MURRAY	2404 840 9TH ST. S.W.	CALGARY	AB	T2P 2T1
110753	1F6F55DY3COA01852	2012	BS	CA	2901	F	12/2/2011	12/9/2011	TRAVELAND	TRAVELAND LEISURE VEH LTD	LANGLEY	BC	V3A 5E8	BISHOP RON	1254 WEST 22ND AVE	NORTH VANCOUVER	BC	V7P 2G1
110754	1F6F55DY4COA02475	2012	BS	CA	2901	F	12/20/2011	1/13/2012	TRAVELAND	TRAVELAND LEISURE VEH LTD	LANGLEY	BC	V3A 5E8	ABRAMS GORDON	10798 DUNLOP ROAD	DELTA	BC	V4C 8V4
110762	1F6F55DY8COA00806	2012	BT	CA	2702	F	1/26/2012	2/6/2012	MIDTOWN	310 INDUSTRIAL AVE W	PENTICTON	BC	V2A 9B3	PARK GEOFFREY	43-20 IRONWOOD PT	ST ALBERT	AB	T8N 6C7
110766	1F6F55DY6COA00285	2012	BT	CA	2901	F	1/9/2012	1/18/2012	PINE ACRES	PO BOX 40	KENSINGTON	PE	COB 1M0					
110767	1F6F55DYOCOA01190	2012	BS	CA	2702	F	1/30/2012	2/7/2012	PIERRE ST CYR	3465 CH DE L'INDUSTRIE	ST MATHIEU DE BELOEIL	QC	J3G 4S5	HANDFIELD RICHARD	940 BRISSON	BERTHIERVILLE	QC	J0K 1A0
110768	1F6F55DY6COA00948	2012	BT	CA</														

110951	1F66F5DY5D0A05337	2013	BS	CA	3209	F	1/10/2013	1/18/2013	BUCARS	REDSON RESOURCE MANAGEMENT LTD	262109 RANGE ROAD 10	BALZAC	AB	T4B 2T3	CRELLIN BRIAN S	RR 5 SITE 16 BOX 89	PRINCE ALBERT	SK	S6V 5R3	
110961	1F66F5DY7D0A05646	2014	BS	CA	3124	F	1/18/2013	1/28/2013	BUCARS	REDSON RESOURCE MANAGEMENT LTD	262109 RANGE ROAD 10	BALZAC	AB	T4B 2T3	ENS DALE	#8 VERMONT CLOSE	OLDS	AB	T4H 0C3	
110991	1F66F5DY1D0A05187	2013	BS	CA	2901	F	2/8/2013	2/18/2013	TRAVELAND	TRAVELAND LEISURE VEH LTD	20529 LANGLEY BY PASS	LANGLEY	BC	V3A 5E8	TRAVELAND RV RENTALS LTD *	20257 LANGLEY BY PASS	LANGLEY	BC	V3A 6K9	
110992	1F66F5DY9D0A06085	2013	BS	CA	2901	F	2/20/2013	3/1/2013	TRAVELAND	TRAVELAND LEISURE VEH LTD	20529 LANGLEY BY PASS	LANGLEY	BC	V3A 5E8						
111032	1F66F5DY2D0A09295	2013	BS	CA	3302	F	4/24/2013	5/2/2013	TRAVELAND	TRAVELAND LEISURE VEH LTD	20529 LANGLEY BY PASS	LANGLEY	BC	V3A 5E8	ANGELES JUANITA	16301 91A AVE	SURREY	BC	V4N 5S5	
111045	1F66F5DY7D0A09583	2013	BS	CA	3012	F	5/1/2013	5/8/2013	BELLA VISTA	31 BOOTH ST		HAWKESTONE	ON	L0L 1T0	GOSS GEOFFREY	1606 BIRCH VIEW TRAIL	THE BLUD MOUNTAINS	ON	L9Y 0M2	
111049	1F65F5DY8D0A07630	2013	BT	CA	2901	F	5/6/2013	5/16/2013	PIERRE ST CYR	3465 CHEMIN DE L'INDUSTRIE		ST MATHIEU DE BEOILC	QC	J3G 4S5	GILLES RAYMOND	55 RUE PARISEAU	LAVAL	QC	H7Y 1J7	
111068	1F66F5DY2D0A10706	2014	BS	CA	3308	F	6/5/2013	6/13/2013	BUCARS	REDSON RESOURCE MANAGEMENT LTD	262109 RANGE ROAD 10	BALZAC	AB	T4B 2T3	SURKAN JOHN	BOX 27084 RP0 AVONHURST	REGINA	SK	S4R 8R8	
111069	1F66F5DY4D0A10707	2014	BS	CA	2903	F	6/12/2013	6/19/2013	BUCARS	REDSON RESOURCE MANAGEMENT LTD	262109 RANGE ROAD 10	BALZAC	AB	T4B 2T3	PARSONS ELIZABETH	BOX 52	ROCKY HARBOUR	NL	A0K 4A0	
111070	1F66F5DY0D0A10705	2014	BS	CA	3215	F	6/4/2013	6/12/2013	BUCARS	REDSON RESOURCE MANAGEMENT LTD	262109 RANGE ROAD 10	BALZAC	AB	T4B 2T3	DEWINTD GERALD	BOX 1417	ROCKY MOUNTAIN HOUSE	AB	T4T 1B1	
111078	1F66F5DY1D0A12463	2014	BT	CA	2903	F	7/15/2013	7/23/2013	PIERRE ST CYR	3465 CHEMIN DE L'INDUSTRIE		ST MATHIEU DE BEOILC	QC	J3G 4S5	CHOUQUETTE JOCELYN	1262 RUE CHAMPLAIN	VALCOURT	QC	J0E 2L0	
111079	1F66F5DY6D0A10711	2014	BS	CA	2903	F	6/26/2013	7/12/2013	PIERRE ST CYR	3465 CHEMIN DE L'INDUSTRIE		ST MATHIEU DE BEOILC	QC	J3G 4S5	DEROUAUX HANS	79 DEAN LN	BATHURST	NB	E2A 7N9	
111080	1F66F5DY2D0A14108	2014	BS	CA	2903	F	8/15/2013	8/23/2013	PIERRE ST CYR	3465 CHEMIN DE L'INDUSTRIE		ST MATHIEU DE BEOILC	QC	J3G 4S5	CARON GAETAN	469 BOUL IBERVILLE #107	REPENTIGNY	QC	J6A 8H8	
111081	1F66F5DY3D0A11301	2014	BS	CA	3124	F	7/11/2013	7/19/2013	PIERRE ST CYR	3465 CHEMIN DE L'INDUSTRIE		ST MATHIEU DE BEOILC	QC	J3G 4S5	BOURDEAU GILLES	1514 AVE DUPUIS	MASCOUCHE	QC	T7K 3M1	
111082	1F66F5DY6D0A11714	2014	BS	CA	3215	F	7/11/2013	7/19/2013	PIERRE ST CYR	3465 CHEMIN DE L'INDUSTRIE		ST MATHIEU DE BEOILC	QC	J3G 4S5	VANSTRYDONCK JACQUES	104-155 PLACE CHEIGNY	ST-THERESE	QC	J7E 0A1	
111095	1F66F5DY3D0A10049	2014	BS	CA	2903	F	5/17/2013	5/29/2013	TRAVELAND	TRAVELAND LEISURE VEH LTD	20529 LANGLEY BY PASS	LANGLEY	BC	V3A 5E8	BARDELL MICHAEL	7537 150A ST	SURREY	BC	V35 6P2	
111096	1F66F5DY8D0A10709	2014	BS	CA	3124	F	6/17/2013	6/24/2013	TRAVELAND	TRAVELAND LEISURE VEH LTD	20529 LANGLEY BY PASS	LANGLEY	BC	V3A 5E8						
111097	1F66F5DY6D0A11423	2014	BS	CA	3215	F	6/27/2013	7/15/2013	TRAVELAND	TRAVELAND LEISURE VEH LTD	20529 LANGLEY BY PASS	LANGLEY	BC	V3A 5E8						
111123	1F66F5DY0D0A10557	2014	BS	CA	3308	F	5/22/2013	6/4/2013	PINE ACRES	80 COMMERCE ST		MONCTON	NB	E1H 0A5	AYLWARD MARY	70 CONCORD DR	CONCEPTION BAY SOUTH	NL	0	
111159	1F66F5DY7E0A00481	2014	BS	CA	3308	F	8/23/2013	9/3/2013	MIDTOWN	310 INDUSTRIAL AVE W		PENITICTON	BC	V2A 9B3	RASMUSSEN ERIC	302 NEWTON DR	PENITICTON	BC	V2A 8Z5	
111166	1F66F5DYXE0A00488	2014	BS	CA	3308	F	9/6/2013	9/16/2013	MIDTOWN	310 INDUSTRIAL AVE W		PENITICTON	BC	V2A 9B3	SMITH VIVIAN J	582 LAKEVIEW PLACE	OLIVER	BC	VOH 1T4	
111205	1F66F5DY2E0A02218	2014	BS	CA	3308	F	10/30/2013	11/7/2013	BELLA VISTA	31 BOOTH ST		HAWKESTONE	ON	L0L 1T0	GAVIN WILLIAM R	167 WYCLIFFE COVE BOX 9	VICTORIA HARBOUR	ON	L0K 2A0	
111208	1F66F5DY5E0A01869	2014	BS	CA	3308	F	10/22/2013	10/31/2013	PINE ACRES	80 COMMERCE ST		MONCTON	NB	E1H 0A5	HILTZ SUSAN	1 MARSHVIEW DR	AMHERST	NB	B4H 4B3	
111247	1F66F5DY0E0A03240	2014	BS	CA	3124	F	12/16/2013	1/10/2014	BELLA VISTA	31 BOOTH ST		HAWKESTONE	ON	L0L 1T0	LANGLOIS THOMAS	101 GERALD AVE	ORILLIA	ON	L3S 3V4	
111248	1F66F5DY5E0A02908	2014	BS	CA	2903	F	12/11/2013	12/19/2013	TRAVELAND	TRAVELAND LEISURE VEH LTD	20529 LANGLEY BY PASS	LANGLEY	BC	V3A 5E8	VAN LEEUWEN DANIEL	5030 SUMAS MT. RD.	ABBOTSFORD	BC	V3G 3C1	
111249	1F66F5DY8E0A02594	2014	BS	CA	3124	F	12/3/2013	12/11/2013	TRAVELAND	TRAVELAND LEISURE VEH LTD	20529 LANGLEY BY PASS	LANGLEY	BC	V3A 5E8						
111293	1F66F5DY6E0A02903	2014	BT	CA	2903	F	12/6/2013	12/17/2013	BUCARS	REDSON RESOURCE MANAGEMENT LTD	262109 RANGE ROAD 10	BALZAC	AB	T4B 2T3	KISSNER RON	4604 29TH AVE NW	CALGARY	AB	T3B 0J2	
160170	1F6NF53170A02016	2008	CS	CA	3643	F	6/14/2007	6/26/2007	PIERRE ST-CYR	3465 CH DE L'INDUSTRIE		ST MATHIEU DE BEOILC	QC	J3G 4S5						
160181	5B4MP67G583430142	2008	CS	CA	3512	WH	9/13/2007	9/27/2007	PIERRE ST CYR	3465 CH DE L'INDUSTRIE		ST MATHIEU DE BEOILC	QC	J3G 4S5	OUELLET RAYMOND	167 PELLETIER	TROIS-PILATES	QC	G0L 4K0	
160192	5B4MP67G973425735	2008	CS	CA	3512	WH	8/30/2007	9/11/2007	MIDTOWN	310 INDUSTRIAL AVE W.		PENITICTON	BC	V2A 9B3	MILLER ALVIN	1275 11TH AVE NORTH	WISSEMING LAKE	BC	V2G 2N1	
160203	1F6NF531470A04391	2008	CS	CA	3510	F	10/18/2007	10/31/2007	PIERRE ST-CYR	3465 CH DE L'INDUSTRIE		ST MATHIEU DE BEOILC	QC	J3G 4S5	FORTIN JEAN	250 MONTREUIL	LAVAL	PQ	H7X 3K3	
160222	1F6NF53170A02484	2008	CS	CA	3510	F	1/9/2008	1/22/2008	PIERRE ST CYR	3465 CH DE L'INDUSTRIE		ST MATHIEU DE BEOILC	QC	J3G 4S5	BOULANGER FRANCOIS	58 RUE DE LA TRIGA	STE-HELENE DE BREAKYVILLE	QC	G0S 1E1	
160256	5B4MP67G083434406	2009	CS	CA	3410	WH	4/24/2008	5/7/2008	MIDTOWN	310 INDUSTRIAL AVE W		PENITICTON	BC	V2A 9B3	BUSCH MARK	263 MAGIC DRIVE	KELOWNA	BC	V1V 1N2	
160260	5B4MP67G783435164	2009	CS	CA	3641	WH	5/14/2008	5/30/2008	PIERRE ST-CYR	3465 CH DE L'INDUSTRIE		ST MATHIEU DE BEOILC	QC	J3G 4S5	DASHNEY ARNOLD	967 METEOR STREET	NAVAN	ON	K4B 1N9	
160275	1F6NF531980A04310	2009	CS	CA	3510	F	8/12/2008	9/16/2008	MIDTOWN	310 INDUSTRIAL AVE W		PENITICTON	BC	V2A 9B3	ANDERSON GERALD	BOX 6480	DRAYTON VALLEY	AB	T7A 1R9	
160291	5B4MP67G193435789	2009	CS	CA	3641	WH	3/10/2009	3/18/2009	BELANGER RV	A DIVISION OF BELANGER RV INC	1472 YOVILLE DRIVE	OTTAWA	ON	K1C 2X8	ALLOIN WILLIAM B	203 JOHN ASELFORD	KAROTA	ON	V2W 1A8	
160317	1F6NF531380A03783	2010	CS	CA	3920	F	7/20/2009	7/29/2009	TRAVELAND	TRAVELAND LEISURE VEH LTD	20529 LANGLEY BY PASS	LANGLEY	BC	V3A 5E8	HOWARD JAMES	325 13 STREET	WEST MINSTER	BC	V3M 4L4	
160318	1F6NF531180A03782	2010	CS	CA	3920	F	7/21/2009	7/30/2009	BUCARS	REDSON RESOURCE MANAGEMENT LTD	262109 RANGE ROAD 10	BALZAC	AB	TOM 0E0	MILLAR RUSSEL	BOX 10 SITE 9 RR2	COCHRANE	AB	T4C 1A2	
160319	1F6NF531580A03025	2010	CS	CA	3510	F	8/6/2009	8/20/2009	BUCARS	REDSON RESOURCE MANAGEMENT LTD	262109 RANGE ROAD 10	BALZAC	AB	TOM 0E0	CHOWEN ROB	10 MT GILBRATER HTS SE	CALGARY	AB	T2Z 3R2	
160320	1F6NF531790A00001	2010	CS	CA	3641	F	8/25/2009	9/14/2009	BUCARS	REDSON RESOURCE MANAGEMENT LTD	262109 RANGE ROAD 10	BALZAC	AB	TOM 0E0	DE WINDT HARRY	24 WREN CRESCENT	SHEERWOOD PARK	AB	T8A 0G5	
160333	1F6NF531680A04703	2010	CS	CA	3647	F	8/12/2009	8/25/2009	MIDTOWN	310 INDUSTRIAL AVE W		PENITICTON	BC	V2A 9B3	KULAK WAYNE	3720 OLD OKANAGAN HWY. # 3360	WESTBANK	BC	A4T 1X9	
160336	1F6NF531880A04704	2010	CS	CA	3641	F	8/18/2009	9/8/2009	PIERRE ST-CYR	3465 CH DE L'INDUSTRIE		ST MATHIEU DE BEOILC	QC	J3G 4S5	ARCHAMBAULT LOUIS A	603 ST OKAN	ST LINDAS LAURENTINES	QC	J5M 2X2	
160349	1F6NF531190A00561	2010	CS	CA	3855	F	9/28/2009	10/8/2009	PIERRE ST-CYR	3465 CH DE L'INDUSTRIE		ST MATHIEU DE BEOILC	QC	J3G 4S5	CHARLAND PEIRRE	2162 HOGAN	MONTREAL	QC	H2K 2T1	
160353	1F6NF531490A00666	2010	CS	CA	3510	F	10/8/2009	10/21/2009	MIDTOWN	310 INDUSTRIAL AVE W		PENITICTON	BC	V2A 9B3	SCOTT MALCOLM	3384 HALL RD	KELOWNA	BC	V1W 2T9	
160376	5B4MP67G893439032	2010	CS	CA	3641	WH	12/15/2009	1/18/2010	MIDTOWN	310 INDUSTRIAL AVE W		PENITICTON	BC	V2A 9B3	MURPHY KEITH	1616 SCIMITAR BAY N W	CALGARY	AB	T2L 2B2	
160377	1F6NF531590A00661	2010	CS	CA	3855	F	12/11/2009	1/13/2010	PIERRE ST-CYR	3465 CH DE L'INDUSTRIE		ST MATHIEU DE BEOILC	QC	J3G 4S5	LACHANCE PIERRE	6510 PLOQUIN ST	LAVAL	QC	H7H 2T5	
160396	1F66F5DY1B0A00584	2010	CS	CA	3410	F	3/17/2010	3/24/2010	BUCARS	REDSON RESOURCE MANAGEMENT LTD	262109 RANGE ROAD 10	BALZAC	AB	TOM 0E0	ANTON ANDY	43 CHURCH RANCHES BLVD	CALGARY	AB	T3R 1C1	
160403	1F66F5DY0B0A00608	2010	CS	CA	3856	F	4/8/2010	4/19/2010	BUCARS	3465 CH DE L'INDUSTRIE		ST MATHIEU DE BEOILC	QC	J3G 4S5	SAMSON FRANCOIS	56 DE L'ORPIN	QUEBEC	QC	G1C 7H2	
160409	1F66F5DY8B0A00601	2011	CS	CA	3920	F	4/22/2010	5/3/2010	BUCARS	REDSON RESOURCE MANAGEMENT LTD	262109 RANGE ROAD 10	BALZAC	AB	TOM 0E0	KECK DAVE	391 CHAPARRAL DR SE	CALGARY	AB	T2X 3R3	
160414	1F66F5DY8B0A01344	2011	CS	CA	3810	F	5/6/2010	5/17/2010	MIDTOWN	310 INDUSTRIAL AVE W		PENITICTON	BC	V2A 9B3	WOOD IRVING	BOX 75 - 726 SHEEP CR RD	KALEDEN	BC	VOH 1K0	
160415	1F66F5DY4B0A00580	2011	CS	CA	3411	F	5/10/2010	5/20/2010	BELANGER RV	A DIVISION OF BELANGER RV INC	1472 YOVILLE DRIVE	OTTAWA	ON	K1C 2X8	BOUDREAU LOUIS	2804 RUE D'ORBERNAI	LAVAL	QC	H7K 3J1	
160426	1F66F5DY4B0A02295	2011	CS	CA	3920	F	5/25/2010	6/3/2010	PIERRE ST-CYR	3465 CH DE L'INDUSTRIE		ST MATHIEU DE BEOILC	QC	J3G 4S5	ROUSSY RAYMOND	765 SUR LE LAC	ST HENRI DE TAILLON	QC	G0W 2X0	
160428	1F66F5DY8B0A02297	2011	CS	CA	3642	F	6/4/2010	6/15/2010	MIDTOWN	310 INDUSTRIAL AVE W		PENITICTON	BC	V2A 9B3	CUMMING TONY	#3-2290 GRAYMEDE DR	KAMLOOPS	BC	V1S 1P5	
160445	1F66F5DY9B0A00588	2011	CS	CA	3642	F	7/30/2010	8/10/2010	PINE ACRES	80 COMMERCE ST		MONCTON	NB	E1H 0A5	SMITH COLIN L	120 RTE 935	SACKVILLE	NB	E4L 2G9	
160447	1F66F5DYXB0A02768	2011	CS	CA	3920	F	8/18/2010	8/30/2010	BUCARS	REDSON RESOURCE MANAGEMENT LTD	262109 RANGE ROAD 10	BALZAC	AB	TOM 0E0	EDWARDS JOHN	11 CHURCH RANCHES BLVD	CALGARY	AB	T3R 1C1	
160465	1F66F5DYXB0A03239	2011	CS	CA	3810	F	9/16/2010	9/27/2010	PINE ACRES	PO BOX 40		KENSINGTON	PE	OB 1M0	COVE EDGAR	1085 SHEDIAC RD	MONCTON	NB	E1A 7B6	
160469	1F66F5DY8B0A03546	2011	CS	CA	3920	F	10/26/2010	11/4/2010	BELANGER RV	A DIVISION OF BELANGER RV INC	1472 YOVILLE DRIVE	OTTAWA	ON	K1C 2X8	SANTOS JOAQUIN	1753 NORTH SHORE RD	ALGONQUIN HIGHLANDS	ON	K0M 1J1	
160485	1F66F5DY6B0A00599	2011	CS	CA	3810	F	11/2/2010	11/11/2010	MIDTOWN	310 INDUSTRIAL AVE W		PENITICTON	BC	V2A 9B3	DAVIES NEAL	104-483 MAURICE ST	PENITICTON	BC	V2A 5V8	
160489	1F66F5DYXB0A05752	2011	CS	CA	3411	F	11/4/2010	11/15/2010	PIERRE ST-CYR	3465 CH DE L'INDUSTRIE		ST MATHIEU DE BEOILC	QC	J3G 4S5	LAVOIE GILLES	1210 CURE POIRIER E. 607'	LONGUEUIL	QC	J4J 5V2	
160512	5B4MP67G4B3439549	2011	CS	CA	3642	WH	1/11/2011	1/20/2011	PIERRE ST CYR	3465 CH DE L'INDUSTRIE		ST MATHIEU DE BEOILC	QC	J3G 4						

161038	1F66F5DYEOA00099	2014	CS	CA	3610	F	9/11/2013	9/20/2013	PIERRE ST CYR	3465 CHEMIN DE L'INDUSTRIE		ST MATHIEU DE BEOLEI	QC	J3G 455	BLAIS SERGE	2072 DE VERSAILLES	STE-JULIE	QC	J3E 2L4	
161039	1F66F5DY9D0A13800	2014	CS	CA	3920	F	9/4/2013	9/13/2013	BUCARS	REDSON RESOURCE MANAGEMENT LTD	262109 RANGE ROAD 10	BALZAC	AB	T4B 2T3	ROSS BRENT	905 EAGLE PLACE	OSEOYOS	BC	V0H 1V6	
161072	1F66F5DY4EOA01197	2014	CS	CA	3650	F	10/2/2013	10/11/2013	PINE ACRES	80 COMMERCE ST		MONCTON	NB	E1H 0A5	MILOT ANDRE	920 RUE DU GOLF	CR	G8W 2J2		
161086	1F66F5DY8EOA01879	2014	CS	CA	3650	F	10/18/2013	10/29/2013	BELLA VISTA	31 BOOTH ST		HAWKESTONE	ON	L1O 1T0	AGRO JEFFREY	237 OCHARD HEIGHTS BLVD	AURORA	CO	L4G 5A2	
161087	1F66F5DY4EOA00504	2014	CS	CA	3650	F	10/24/2013	11/4/2013	BUCARS	REDSON RESOURCE MANAGEMENT LTD	262109 RANGE ROAD 10	BALZAC	AB	T4B 2T3	AIR RESCUE SOCIETY *		REGINA	SK	S4W 1A3	
161093	1F66F5DY2D0A12469	2014	CS	CA	3424	F	10/10/2013	10/21/2013	PIERRE ST CYR	3465 CHEMIN DE L'INDUSTRIE		ST MATHIEU DE BEOLEI	QC	J3G 455	TREMBLAY REJEAN	109 DAoust	ST VIANNE	QC	J0S 150	
161126	1F66F5DY8EOA05009	2014	CS	CA	3921	F	1/21/2014	1/30/2014	TRAVELAND	TRAVELAND LEISURE VEH LTD	20529 LANGLEY BY PASS	LANGLEY	BC	V3A 5E8	MIURA ERIC	1374 KILMER RD	N VANCOUVER	BC	V7K 1R2	
161127	1F66F5DY3EOA03250	2014	CS	CA	3610	F	1/10/2014	1/20/2014	PIERRE ST CYR	3465 CHEMIN DE L'INDUSTRIE		ST MATHIEU DE BEOLEI	QC	J3G 455						
161167	1F66F5DY7EOA05003	2014	CS	CA	3424	F	2/12/2014	2/20/2014	PIERRE ST CYR	3465 CHEMIN DE L'INDUSTRIE		ST MATHIEU DE BEOLEI	QC	J3G 455	GAOUGON CLAUDE	107 RUE BOURASSA	GRANBY	PQ	J2A 8J6	
161168	1F66F5DY8EOA05754	2014	CS	CA	3610	F	3/19/2014	3/28/2014	PIERRE ST CYR	3465 CHEMIN DE L'INDUSTRIE		ST MATHIEU DE BEOLEI	QC	J3G 455	RICHARD LUC	575 ST-FRANCOIS	ST-LOUIS DE BLANFLORE	QC	G0Z 180	
161169	1F66F5DY0EOA05358	2014	CS	CA	3953	F	2/24/2014	3/4/2014	PIERRE ST CYR	3465 CHEMIN DE L'INDUSTRIE		ST MATHIEU DE BEOLEI	QC	J3G 455	OLEVLETTE JEANNOIT	9122 B FRANTENAC EST CP 2011	THETFORDMINNES	QC	G6H 4V9	
161170	1F66F5DY2EOA05734	2014	CS	CA	3953	F	2/26/2014	3/6/2014	PIERRE ST CYR	3465 CHEMIN DE L'INDUSTRIE		ST MATHIEU DE BEOLEI	QC	J3G 455	ROY MARC	13 DU PARC DES ERABLES	LAVAL	PQ	H7H 2G3	
161186	1F66F5DY4EOA10286	2014	CS	CA	3610	F	4/2/2014	4/11/2014	PINE ACRES	80 COMMERCE ST		MONCTON	NB	E1H 0A5	EAGLES STEPHEN E	310 LOOP ROAD	BOUCTOUCHE	NB	E4S 0A1	
161206	1F66F5DY8EOA05737	2014	CS	CA	3911	F	3/4/2014	3/13/2014	BUCARS	REDSON RESOURCE MANAGEMENT LTD	262109 RANGE ROAD 10	BALZAC	AB	T4B 2T3	THOMPSON GERALDINE	131 BRIDLE ESTATES MEWS SW	CALGARY	AB	T2S 5A8	
161246	1F66F5DY5EOA06988	2014	CS	CA	3911	F	4/15/2014	4/28/2014	PIERRE ST CYR	3465 CHEMIN DE L'INDUSTRIE		ST MATHIEU DE BEOLEI	QC	J3G 455	PAILLE ERROL	151 LEVIS	JOLYETTE	QC	J6E 2Y7	
161249	1F66F5DY7EOA06457	2014	CS	CA	3650	F	4/7/2014	4/15/2014	BUCARS	REDSON RESOURCE MANAGEMENT LTD	262109 RANGE ROAD 10	BALZAC	AB	T4B 2T3	UNTERSCHULTZ RICHARD	38 HEARTWOOD LANE	STONY PLAIN	AB	T7Z 1M1	
161318	1F66F5DY7EOA12839	2015	CS	CA	3612	F	9/11/2014	9/19/2014	PIERRE ST CYR	3465 CHEMIN DE L'INDUSTRIE		ST MATHIEU DE BEOLEI	QC	J3G 455						
161319	1F66F5DY0EOA13685	2015	CS	CA	3914	F	8/22/2014	9/3/2014	PIERRE ST CYR	3465 CHEMIN DE L'INDUSTRIE		ST MATHIEU DE BEOLEI	QC	J3G 455						
161323	1F66F5DY3EOA11056	2015	CS	CA	3914	F	7/9/2014	7/18/2014	BUCARS	REDSON RESOURCE MANAGEMENT LTD	262109 RANGE ROAD 10	BALZAC	AB	T4B 2T3	HUTT CHARLES A	109 FINLAY STREET	NAPANEE	ON	K7R 3L2	
161342	1F66F5DY2EOA14658	2015	CS	CA	3650	F	9/10/2014	9/19/2014	MIDTOWN	310 INDUSTRIAL AVE W		PENITCTON	BC	V2A 9B3	RILEA LANCE	13525 MOUNTAIN SHORES RD	BOSWELL	BC	V0B 1A0	
161386	1F66F5DY2FOA04567	2015	CS	CA	3650	F	12/15/2014	1/12/2015	PINE ACRES	80 COMMERCE ST		MONCTON	NB	E1H 0A5	LEBRETON DOROTHY	1090 FAIRWAY CRT	BATHURST	NB	E2A 4W8	
410521	4VZDN1A958C061391	2008	VT	DP	3332	S	6/5/2007	6/18/2007	MIDTOWN	310 INDUSTRIAL AVE W.		PENITCTON	BC	V2A 9B3	MANTEL WALTER	4824 SOVICE AVE	TERRACE	BC	V8B 4R8	
410536	4VZBN1B998C061237	2008	VT	DP	3933	S	6/1/2007	6/12/2007	WOODY'S	91 COMMERCIAL CRT		CALGARY	AB	T3Z 2A6	PERRON MARCEL/JOANNE	38 GLENEAGLES TERR	COCHRANE	AB	T4C 1W4	
410577	4VZDN1A998C062821	2008	VT	DP	3330	S	9/17/2007	9/26/2007	MIDTOWN	310 INDUSTRIAL AVE W.		PENITCTON	BC	V2A 9B3	SCOTT DOUG	BOX 30 - SITE 8 - RR1	OKTOOKS	AB	T1S 1A1	
410578	4VZDN1A978C063062	2008	VT	DP	3933	S	9/6/2007	9/17/2007	THE HITCH HOUSE	1490 HWY 11 RR#2		SHANTY BAY	ON	L0L2L0	KIRKHAM TIMOTHY	147 EMERY ST E	LONDON	ON	N6C 2C9	
410580	4VZDN1A918C062859	2008	VT	DP	3332	S	9/20/2007	10/2/2007	WOODY'S	91 COMMERCIAL CRT		CALGARY	AB	T3Z 2A6	RASMUSSEN ROXANA	229 SANDARAC DR NW	CALGARY	AB	T3K 3W8	
410585	4VZDN1A948C063858	2008	VT	DP	3332	S	9/27/2007	10/8/2007	MIDTOWN	310 INDUSTRIAL AVE W.		PENITCTON	BC	V2A 9B3	GOREN GARY	506-RAIN DANIE COURT	WEST VANCOUVER	BC	V7P 300	
410595	4VZDN1A978C064356	2008	VT	DP	3332	S	10/18/2007	10/30/2007	PIERRE ST-CYR	3465 CH DE L'INDUSTRIE		ST MATHIEU DE BEOLEI	QC	J3G 455	DIDIER VIOLET	1609 CHEMIN DU FERRANDU	MOUGINS LE HAUT	FR	G250	
410609	4VZDN1A938C061261	2008	VT	DP	3332	S	11/8/2007	11/20/2007	MIDTOWN	310 INDUSTRIAL AVE W		PENITCTON	BC	V2A 9B3						
410610	4VZDN1A9X8C061323	2008	VT	DP	3330	S	11/12/2007	11/27/2007	MIDTOWN	310 INDUSTRIAL AVE W		PENITCTON	BC	V2A 9B3	LYSTER LORNE	855 WILTSE BLVD	PENITCTON	BC	V2A 9C7	
410622	4VZDN1A968C065675	2008	VT	DP	3936	S	12/10/2007	1/8/2008	FRASERWAY	726 ROCKY LAKE DRIVE		BEDFORD	NS	B4A 2T7	LANDRY MAURICE	524 ALLEE BOUDREAU	CAP-PELE	NB	E4N 1M7	
410648	4VZDN1A908C066448	2008	VT	DP	3332	S	2/26/2008	3/13/2008	PIERRE ST-CYR	3465 CH DE L'INDUSTRIE		ST MATHIEU DE BEOLEI	QC	J3G 455	DUCHESNE LUCIE	180 CR. STANISLAS	CANTON MAGOG	PQ	J1X 3W4	
410651	4VZDN1A928C066449	2008	VT	DP	3330	S	3/18/2008	4/9/2008	MIDTOWN	310 INDUSTRIAL AVE W		PENITCTON	BC	V2A 9B3	LEROY DAVID	5076 - 1 A AVE	DELTA	BC	V4M 3W5	
410663	4VZDN1A999C068104	2009	VT	DP	3933	S	5/5/2008	5/15/2008	TRAVELAND	TRAVELAND LEISURE VEH LTD	20529 LANGLEY BY PASS	LANGLEY	BC	V3A 5E8	LANSBURY BRYAN L	20646 89A AVE	LANGLEY	BC	V1M 2N5	
410664	4VZDN1A959C067015	2009	VT	DP	3961	S	4/22/2008	5/2/2008	TRAVELAND	TRAVELAND LEISURE VEH LTD	20529 LANGLEY BY PASS	LANGLEY	BC	V3A 5E8	TOBIN HAROLD	3008 TOWNLINE RD	ABBOTSFORD	BC	V2T 5H5	
410683	4VZDN1A929C068638	2009	VT	DP	3933	S	5/12/2008	5/22/2008	PIERRE ST-CYR	3465 CH DE L'INDUSTRIE		ST MATHIEU DE BEOLEI	QC	J3G 455	THERIAULT BENOIT	217 TERRASSE RIOPEL	ST JEROME	QC	J7H 4H8	
410686	4VZDN1A909C067813	2009	VT	DP	3430	S	5/6/2008	5/19/2008	THE HITCH HOUSE	1490 HWY 11 RR#2		SHANTY BAY	ON	L0L2L0	ROLAND	14346 MOUNT PLEASANT RD	CALEDON	ON	L7E 3M2	
410696	4VZDN1A9X9C068645	2009	VT	DP	3933	S	5/15/2008	5/29/2008	MIDTOWN	310 INDUSTRIAL AVE W		PENITCTON	BC	V2A 9B3	ROSE BRUCE	3737 SPRING BANK DR SW	CALGARY	AB	T3H 4J7	
410714	4VZBT1B919C069811	2009	VT	DP	4333	S	7/29/2008	8/26/2008	MIDTOWN	310 INDUSTRIAL AVE W		PENITCTON	BC	V2A 9B3	EBY LLOYD	4505 - 50TH AVENUE	TABER	AB	T1G 1G3	
410734	4VZBT1B999C069913	2009	VT	DP	4333	S	2/3/2009	2/17/2009	PIERRE ST-CYR	3465 CH DE L'INDUSTRIE		ST MATHIEU DE BEOLEI	QC	J3G 455	COTE NORMAN	41 DUFFERIN ST CP157	WATERLOO	QC	J0E 2N0	
410736	4VZDN1A979C070000	2009	VT	DP	3933	S	3/9/2009	3/17/2009	BELANGER RV	A DIVISION OF BELANGER RV INC	1472 YOVILLE DRIVE	OTTAWA	ON	K1C 2X8	BLONDEAU JEAN-JOY	107-2141 RIVIERE	ST ISIDORE	QC	G0S 250	
410737	4VZDN1A999C071049	2009	VT	DP	3432	S	3/11/2009	3/20/2009	BELANGER RV	A DIVISION OF BELANGER RV INC	1472 YOVILLE DRIVE	OTTAWA	ON	K1C 2X8	MORRISSETTE JOCELYN	12 RUE DES VILLAS	ROSEMERE	PQ	J7A 4Y3	
410746	4VZBT1B96AC071297	2010	VT	DP	4333	S	6/5/2009	6/15/2009	MIDTOWN	310 INDUSTRIAL AVE W		PENITCTON	BC	V2A 9B3	MCKEE AL	2525 EVERGREEN DR	PENITCTON	BC	V2A 7Y2	
410747	4VZBT1B93AC071285	2010	VT	DP	4333	S	5/29/2009	6/8/2009	THE HITCH HOUSE	1490 HWY 11 RR#2		SHANTY BAY	ON	L0L2L0	LOCKHART DENNIS	13242 BERSFORD	STERLING HEIGHTS	MI	48313	
410753	4VZDN1A97AC071328	2010	VT	DP	3961	S	7/13/2009	7/23/2009	TRAVELAND	TRAVELAND LEISURE VEH LTD	20529 LANGLEY BY PASS	LANGLEY	BC	V3A 5E8	ALEXANDER JOHN	1319 HAMLAM WAY	SASKATOON	SK	S7S 1G4	
410754	4VZBT1B99AC071360	2010	VT	DP	4333	S	7/13/2009	7/22/2009	TRAVELAND	TRAVELAND LEISURE VEH LTD	20529 LANGLEY BY PASS	LANGLEY	BC	V3A 5E8	MICHELL DAVID	3787 200TH ST	LANGLEY	BC	V3A 1K3	
410757	4VZDN1A96AC071384	2010	VT	DP	3933	S	7/21/2009	7/30/2009	BUCARS	REDSON RESOURCE MANAGEMENT LTD	262109 RANGE ROAD 10	BALZAC	AB	TOM 0E0	SCOTT KELLY	124 CHAPARRAL VALLEY DR SE	CALGARY	AB	T2X 0M4	
410758	4VZBT1B94AC071394	2010	VT	DP	4386	S	8/11/2009	8/24/2009	BUCARS	REDSON RESOURCE MANAGEMENT LTD	262109 RANGE ROAD 10	BALZAC	AB	TOM 0E0	GRAFF TERRY	BOX 1485	CAMROSE	AB	P4V 3X5	
410759	4VZDN1A94AC071500	2010	VT	DP	3961	S	8/25/2009	9/14/2009	BUCARS	REDSON RESOURCE MANAGEMENT LTD	262109 RANGE ROAD 10	BALZAC	AB	TOM 0E0	LEFFERSON KEN	105 HIDDEN CREEK CIRCL NW	CALGARY	AB	T3A 6J3	
410768	4VZBT1B93AC071502	2010	VT	DP	4333	S	8/17/2009	8/27/2009	PIERRE ST-CYR	3465 CH DE L'INDUSTRIE		ST MATHIEU DE BEOLEI	QC	J3G 455	SEVIGNY MARIE	172 DE 'LORE' E DES BOIS	GATINEAU	QC	J8R 2L6	
410771	4VZDN1A91AC071552	2010	VT	DP	3430	S	9/11/2009	9/24/2009	THE HITCH HOUSE	1490 HWY 11 RR#2		SHANTY BAY	ON	L0L2L0	MACRHION DINO	14645 FIFTH SIDEROAD	GEORGETOWN	ON	J7C 455	
410775	4VZDN1A99AC071654	2010	VT	DP	3933	S	9/24/2009	10/7/2009	PIERRE ST-CYR	3465 CH DE L'INDUSTRIE		ST MATHIEU DE BEOLEI	QC	J3G 455	DESGAGNE LUC	64 DES VIOLETTES	BLAINVILLE	QC	L7C 5R6	
410780	4VZDN1A90AC071896	2010	VT	DP	3933	S	10/20/2009	10/30/2009	MIDTOWN	310 INDUSTRIAL AVE W		PENITCTON	BC	V2A 9B3	BAHNMANN ELMER	45151 SOUTH SUMAS RD	CHILLIWACK	BC	V2R 1W5	
410783	4VZDN1A91AC072023	2010	VT	DP	3430	S	12/1/2009	12/9/2009	MIDTOWN	310 INDUSTRIAL AVE W		PENITCTON	BC	V2A 9B3	STAINTON JIM	3824 DEJONG CRES.	TERRACE	BC	V8G 4W6	
410848	4VZDN1A96AC073328	2011	VT	DP	E S	S	6/8/2010	6/16/2010	MIDTOWN	310 INDUSTRIAL AVE W		PENITCTON	BC	V2A 9B3	LEGALUT BURT					
410849	4VZDN1A98AC073329	2011	VT	DP	E S	S	6/9/2010	6/17/2010	MIDTOWN	310 INDUSTRIAL AVE W		PENITCTON	BC	V2A 9B3	WHEELER STEVE	7843 - 155TH ST	SURREY	BC	V3S 3P5	
410852	4U2AB2D78BCA07251	2011	VT	DP	3433	FL	7/21/2010	8/2/2010	BUCARS	REDSON RESOURCE MANAGEMENT LTD	262109 RANGE ROAD 10	BALZAC	AB	TOM 0E0	HALL PHIL	350 22ND STREET	BRANDON	MB	R7B 1R8	
410853	4U2ACHDT73BCA03090	2011	VT	DP	3934	FL	7/19/2010	7/29/2010	PIERRE ST-CYR	3465 CH DE L'INDUSTRIE		ST MATHIEU DE BEOLEI	QC	J3G 455	GARIEPY ROGER	1603 RANGE RUISSEAU DES AGGRS IS	ST ROCHE DE LACHIGAN	QC	J0K 3H0	
410858	4U2ZFCB55BCA0309	2011	VT	DP	4333	FL	8/4/2010	8/13/2010	PINE ACRES	80 COMMERCE ST		MONCTON	NB	E1H 0A5	DUNN DONALD	3199 RTE 485	BEERSVILLE	NB	E4T 2P1	
410861	4U2AB2D72BCA03081	2011	VT	DP	3434	FL	8/9/2010	8/18/2010	BUCARS	REDSON RESOURCE MANAGEMENT LTD	262109 RANGE ROAD 10	BALZAC	AB	TOM 0E0	FISHER					

411119	4UZFCH857DCB22485	2013	VT	DP	4337	FL	6/26/2012	7/16/2012	BUCARS	REDSON RESOURCE MANAGEMENT LTD	262109 RANGE ROAD 10	BALZAC	AB	T4B 2T3	GIEBELHAUS KIM	23225 TWNS RD 510	LEDUC COUNTY	AB	T4X 057	
411122	4UZAB2D78DCB28666	2013	VT	DP	3434	FL	6/27/2012	7/17/2012	PIERRE ST CYR	3465 CH DE L'INDUSTRIE		BALZAC	QC	J3G 455	LEVESQUE JACQUES	201 CHEMIN DU GOLF	VERDUN	QC	H3E 124	
411133	4UZ2FCH85XDF04958	2013	VT	DP	4018	FL	8/15/2012	8/24/2012	PIERRE ST CYR	3465 CHEMIN DE L'INDUSTRIE		BALZAC	QC	J3G 455	DELORME DANIEL	2700 RUE DUBOIS	ROCKLAND	QC	K41 1K7	
411151	4UZAB2D74DCB56489	2013	VL	DP	3634	FL	10/10/2012	10/18/2012	BELLA VISTA	31 BOOTH ST		HAWKESTONE	ON	L0L 170	SAMMUTI JOSEPH	554193 MONO AMARANTH TOWNLINE	MONO	ON	L9W 5M7	
411182	4UZ2FCH855DCFF0128	2013	VT	DP	4346	FL	11/16/2012	11/27/2012	BELLA VISTA	31 BOOTH ST		HAWKESTONE	ON	L0L 170	TOMBARI BRUNO	3645 BAYOU DR	ORILLIA	ON	L3V 6H3	
411192	4UZAB2D75ECFF8897	2013	VT	DP	3434	FL	2/26/2013	3/6/2013	PIERRE ST CYR	3465 CHEMIN DE L'INDUSTRIE		BALZAC	QC	J3G 455	OVELLETTE RAYMOND	282 RUE SAINTE-ANNE	VARENNON	QC	J3X 1R7	
411193	4UZAB2D76ECFL3005	2013	VT	DP	3634	FL	3/4/2013	3/12/2013	PIERRE ST CYR	3465 CHEMIN DE L'INDUSTRIE		BALZAC	QC	J3G 455	MARQUIS MOREL	179 OLIVIER MOREL	CARIGNAN	QC	J3L 558	
411200	4UZACHD76ECFF9468	2014	VT	DP	3436	FL	2/26/2013	3/6/2013	BUCARS	REDSON RESOURCE MANAGEMENT LTD	262109 RANGE ROAD 10	BALZAC	AB	T4B 2T3	ADAMS MIKE	RR1 SITE 10 BOX 34	MILLET	AB	TCO 120	
411201	4UZ2FCH4Y6ECFF9469	2014	VT	DP	4037	FL	2/25/2013	3/5/2013	BUCARS	REDSON RESOURCE MANAGEMENT LTD	262109 RANGE ROAD 10	BALZAC	AB	T4B 2T3	SCHNURER DAVID	SITE 7 BOX 22 RR 2	LACOMBE	AB	T41 2N2	
411209	4UZ2FCH859DCFF8335	2013	VT	DP	4018	FL	1/10/2013	1/18/2013	PIERRE ST CYR	3465 CHEMIN DE L'INDUSTRIE		BALZAC	QC	J3G 455	THERRIEN RICHARD	185 RUE LAUEUNESSE	ST COLOMBAN	QC	J5K 2A1	
411219	4UZAB2D74ECFM1597	2013	VT	DP	3634	FL	3/8/2013	3/18/2013	PIERRE ST CYR	3465 CHEMIN DE L'INDUSTRIE		BALZAC	QC	J3G 455	LAETITIA WIOLET	26 BOILEAU	VILLENEUVE-ST-GEORGES	FR	94190	
411246	4UZ2FCH850DCFF0995	2013	VT	DP	4324	FL	3/27/2013	4/5/2013	BUCARS	REDSON RESOURCE MANAGEMENT LTD	262109 RANGE ROAD 10	BALZAC	AB	T4B 2T3						
411250	4UZACHD79ECFM3415	2013	VT	DP	3434	FL	4/23/2013	5/1/2013	PIERRE ST CYR	3465 CHEMIN DE L'INDUSTRIE		BALZAC	QC	J3G 455	MCNGRAIN GUY	16 PLACE DE CHATEROIS	LORRAINE	QC	J62 4K3	
411290	4UZACHD75ECFN8008	2014	VT	DP	3436	FL	6/25/2013	7/10/2013	PIERRE ST CYR	3465 CHEMIN DE L'INDUSTRIE		BALZAC	QC	J3G 455	DUFOUR BERNARD	109 DES ARDENNES	CHICOUTIMI	QC	G7G 5C8	
411301	4UZAB2D74ECFN9361	2014	VL	DP	3634	FL	6/13/2013	6/21/2013	TRAVELAND	TRAVELAND LEISURE VEH LTD	20529 LANGLEY BY PASS	LANGLEY	BC	V3A 5E8	SCHIROKICH ANATOLI	BOX 6763 BENS RD	FORT ST JOHN	BC	V1J 412	
411349	4UZAB2D7XECFT3847	2014	VL	DP	3436	FL	8/13/2013	8/21/2013	PIERRE ST CYR	3465 CHEMIN DE L'INDUSTRIE		BALZAC	QC	J3G 455	DAVIS LARRY	589 CH SAINT LOUIS	SAINTE BASILE G GRAND	QC	J3N 1L1	
411350	4UZ2FCH4Y6ECFU5942	2014	VT	DP	4377	FL	8/14/2013	8/23/2013	PIERRE ST CYR	3465 CHEMIN DE L'INDUSTRIE		BALZAC	QC	J3G 455						
411363	4UZAB2D73ECFU9131	2014	VL	DP	3845	FL	10/11/2013	10/22/2013	BUCARS	REDSON RESOURCE MANAGEMENT LTD	262109 RANGE ROAD 10	BALZAC	AB	T4B 2T3	SCHMIDT GREG	10911 - 123 STREET	GRANDE PRAIRIE	AB	T8V 723	
411364	4UZ2FCH4Y6ECFT3851	2014	VT	DP	4037	FL	7/31/2013	8/8/2013	TRAVELAND	TRAVELAND LEISURE VEH LTD	20529 LANGLEY BY PASS	LANGLEY	BC	V3A 5E8	DUCHSCHERER DENNIS	2693 LOCKWOOD CRT	ABBOTSFORD	BC	V3G 1C2	
411365	4UZ2FCH4Y6ECFT3854	2014	VT	DP	4360	FL	8/5/2013	8/13/2013	PINE ACRES	80 COMMERCE ST		MONCTON	NB	E1H 0A5	WILSON DOUGLAS	46 WOODLAWN AVENUE	MONCTON	NB	E1E 2J9	
411412	4UZ2FCH4Y6ECFU4230	2014	VT	DP	4369	FL	10/7/2013	10/16/2013	BELLA VISTA	31 BOOTH ST		HAWKESTONE	ON	L0L 170	CORP LTD *	4296 LINE 6	BRADFORD	ON	L3Z 2A4	
411413	4UZ2FCH4Y6ECFU8413	2014	VT	DP	4037	FL	10/25/2013	11/5/2013	BELLA VISTA	31 BOOTH ST		HAWKESTONE	ON	L0L 170	AITCHISON DONALD	1526 HANSON RD	MISSISSAUGA	ON	L5B 2E4	
411428	4UZ2FCH4Y6ECFU4228	2014	VT	DP	4037	FL	10/30/2013	11/7/2013	BUCARS	REDSON RESOURCE MANAGEMENT LTD	262109 RANGE ROAD 10	BALZAC	AB	T4B 2T3	HUSBAND DAVE	33 ION CLOSE	RED DEER	AB	T4R 0B3	
411443	4UZ2FCH4Y6ECFU7281	2014	VT	DP	4037	FL	12/5/2013	12/13/2013	TRAVELAND	TRAVELAND LEISURE VEH LTD	20529 LANGLEY BY PASS	LANGLEY	BC	V3A 5E8	TORJHELM GLEN	211 CHURCH RANCHES WAY	CALGARY	AB	T3R 1B2	
411457	4UZACHD71ECFW4629	2014	VT	DP	3634	FL	12/13/2013	1/9/2014	PIERRE ST CYR	3465 CHEMIN DE L'INDUSTRIE		BALZAC	QC	J3G 455	LECLAIR BRUNO	385 DE RAMSAY	LECLERC	QC	J3H 2W4	
603881	4VZBT1D988C062611	2008	DS	DP	4320	S	6/6/2007	6/18/2007	VELLNER	1890 - 49 AVENUE		RED DEER	AB	T4R 2N7	HURTUBISE ALPHONSE G	BOX 7971	BONNYVILLE	QC	J3N 2J3	
603883	4VZBT1D988C062528	2008	DS	DP	4304	S	6/6/2007	6/19/2007	VELLNER	1890 - 49 AVENUE		RED DEER	AB	T4R 2N7	HENRY KEITH	51 KING ST BOX 349	WOODVILLE	ON	KOM 2T0	
603886	4VZBR1D988C061044	2008	DS	DP	4023	S	6/5/2007	6/14/2007	TRAVELAND	TRAVELAND LEISURE VEH LTD	20529 LANGLEY BY PASS	LANGLEY	BC	V3A 5E8	URQUHART JOHN	1123 REGAN AVE	COQUITLAM	BC	V3J 3B4	
603888	4VZBR1D988C061045	2008	DS	DP	4023	S	6/12/2007	6/21/2007	MIDTOWN	310 INDUSTRIAL AVE W.		PENTICTON	BC	V2A 9B3	HERRIMAN KEN R	BOX 4056	OLDS	AB	T4H 1P7	
603906	4VZBT1D988C061555	2008	DS	DP	4320	S	7/16/2007	7/26/2007	MIDTOWN	310 INDUSTRIAL AVE W.		PENTICTON	BC	V2A 9B3	MCCASIN FRANK	8002 SPARROW CRES	LEDUC	AB	T9E 7G1	
603910	4VZBT1D988C062612	2008	DS	DP	4304	S	7/25/2007	8/6/2007	MIDTOWN	310 INDUSTRIAL AVE W.		PENTICTON	BC	V2A 9B3						
603912	4VZBT1D988C062673	2008	DS	DP	4354	S	8/7/2007	8/20/2007	FRASERWAY	212 ROCKY LAKE DRIVE		BEDFORD	NS	B4A 2T7	NEAL DAVID	42 COUNTY ROAD 84B	SANTA FE	NM	87506	
603949	4VZBR1D928C062814	2008	DS	DP	4023	S	8/28/2007	9/7/2007	PIERRE ST-CYR	3465 CH DE L'INDUSTRIE		BALZAC	QC	J3G 455	SAMSON JEAN M	55 ST MATTHEW	ST MATTHEW BEOLEI	QC	J3H 0E9	
603950	4VZBT1D948C063481	2008	DS	DP	4304	S	8/28/2007	9/6/2007	PIERRE ST-CYR	3465 CH DE L'INDUSTRIE		BALZAC	QC	J3G 455	CARRIER GERALD	26, RUE DE VIMY,	LEVIS,	QC	G6V 2K8	
603951	4VZBT1D988C064416	2008	DS	DP	4304	S	9/10/2007	9/20/2007	VELLNER	1890 - 49 AVENUE		RED DEER	AB	T4R 2N7	WILLIAMS PAUL	47 BIRCHMONT DR	LEDUC	AB	T9E 854	
603952	4VZBT1D988C064340	2008	DS	DP	4304	S	9/5/2007	9/13/2007	THE HITCH HOUSE	1490 HWY 11 RR#2		SHANTY BAY	ON	L0L20	MURPHY MICHAEL	13755 EIGHT MILE RD RR #1	ARVA	ON	NOM 1C0	
603953	4VZBR1D988C063840	2008	DS	DP	4023	S	8/30/2007	9/11/2007	THE HITCH HOUSE	1490 HWY 11 RR#2		SHANTY BAY	ON	L0L20	KOTTELEBERG JACK	344342 155 ORD AMAR RR #7	ORANGEVILLE	ON	L9W 273	
603963	4VZBR1D988C064339	2008	DS	DP	4023	S	9/27/2007	10/9/2007	VELLNER	1890 - 49 AVENUE		RED DEER	AB	T4R 2N7	VASSEUR PAUL	BOX 757	THREE HILLS	AB	TOM 2A0	
603979	4VZBT1D928C064743	2009	DA	DP	4304	S	10/15/2007	10/24/2007	TRAVELAND	TRAVELAND LEISURE VEH LTD	20529 LANGLEY BY PASS	LANGLEY	BC	V3A 5E8	MARKS ROBERT M	9251 206 ST	LANGLEY	BC	V1M 2W8	
603980	4VZBT1D969C062804	2009	DA	DP	4330	S	11/21/2007	12/4/2007	PIERRE ST-CYR	3465 CH DE L'INDUSTRIE		BALZAC	QC	J3G 455	ALEXANDRE DENIS	23 JEAN TALON	ST JEAN SV RICHELIEU	QC	J2W 1M7	
603982	4VZBT1D958C064817	2008	DS	DP	4320	S	10/22/2007	10/31/2007	PIERRE ST-CYR	3465 CH DE L'INDUSTRIE		BALZAC	QC	J3G 455	ROUSSY JEAN-MARC	721 CHEMIN DU COTEAU	LACHENAIE	QC	J6W 5H2	
603984	4VZBT1D938C065318	2008	DS	DP	4320	S	10/22/2007	11/1/2007	THE HITCH HOUSE	1490 HWY 11 RR#2		SHANTY BAY	ON	L0L20	HODGSEN WILLIAM	1249 ST VINCENT ST	MIDHURST	ON	L0L 1X1	
603987	4VZBT1D918C064815	2008	DS	DP	4320	S	10/24/2007	11/5/2007	THE HITCH HOUSE	1490 HWY 11 RR#2		SHANTY BAY	ON	L0L20	O'BRIEN PAT	302 NORTHKNOLL DR	ROCHELLE	IL	61068	
604031	4VZBR1D948C066427	2008	DS	DP	4023	S	12/17/2007	1/14/2008	PIERRE ST-CYR	3465 CH DE L'INDUSTRIE		BALZAC	QC	J3G 455	LAPLANTE CLAUDE	1445 GRANADA AV	ROUYEN-NORANDA	QC	J9Y 168	
604032	4VZBT1D908C065406	2008	DS	DP	4320	S	12/17/2007	1/15/2008	VELLNER	1890 - 49 AVENUE		RED DEER	AB	T4R 2N7						
604033	4VZBR1D918C066384	2008	DS	DP	4023	S	1/8/2008	1/17/2008	VELLNER	1890 - 49 AVENUE		RED DEER	AB	T4R 2N7	KRYWKU ED	RR1	MORINVILLE	AB	T8R 1P4	
604034	4VZBR1D968C066428	2008	DS	DP	4023	S	12/18/2007	1/16/2008	TRAVELAND	TRAVELAND LEISURE VEH LTD	20529 LANGLEY BY PASS	LANGLEY	BC	V3A 5E8	KILLEY DAVID	7887-114A ST	DELTA	BC	V4C 5L8	
604035	4VZBT1D988C066649	2008	DS	DP	4304	S	1/23/2008	2/14/2008	MIDTOWN	310 INDUSTRIAL AVE W		PENTICTON	BC	V2A 9B3	PRICE JIM	19453 - 88 AVE	SURREY	BC	V4N 5T2	
604036	4VZBR1D988C066429	2008	DS	DP	4035	S	12/19/2007	1/16/2008	MIDTOWN	310 INDUSTRIAL AVE W		PENTICTON	BC	V2A 9B3	HUGHES BRYAN	9570 BOTTOM WOOD LAKE ROAD	LAKE COUNTRY	BC	V1Y 1S7	
604046	4VZBR1D978C066504	2008	DS	DP	4023	S	2/11/2008	2/25/2008	TRAVELAND	TRAVELAND LEISURE VEH LTD	20529 LANGLEY BY PASS	LANGLEY	BC	V3A 5E8	KRISHNA RAM	6380 BOUCHARD RD	RICHMOND	BC	V7C 9H4	
604047	4VZBR1D928C066782	2008	DS	DP	4023	S	2/11/2008	2/26/2008	MIDTOWN	310 INDUSTRIAL AVE W		PENTICTON	BC	V2A 9B3	GREER BILL	BOX 213	DELIA	AB	TOJ 0W0	
604070	4VZBT1D938C067019	2008	DS	DP	4304	S	3/3/2008	3/18/2008	MIDTOWN	310 INDUSTRIAL AVE W		PENTICTON	BC	V2A 9B3						
604074	4VZBT1D918C067018	2008	DS	DP	4317	S	2/27/2008	3/17/2008	THE HITCH HOUSE	1490 HWY 11 RR#2		SHANTY BAY	ON	L0L20	WADDINGTON ROY	PO BOX 208	ELMWOOD	ON	NOG 150	
604080	4VZBT1D948C067661	2008	DS	DP	4320	S	3/12/2008	4/2/2008	VELLNER	1890 - 49 AVENUE		RED DEER	AB	T4R 2N7	OLANSKI FRED	BOX 1107	VALLEYVIEW	ON	TOH 3N0	
604088	4VZBT1D978C067721	2008	DS	DP	4304	S	3/18/2008	4/9/2008	MIDTOWN	310 INDUSTRIAL AVE W		PENTICTON	BC	V2A 9B3	KUUSKA VICTOR J	PO BOX 126	PICTURE BUTTE	AB	TKO 1V0	
604089	4VZBT1D988C067722	2008	DS	DP	4304	S	3/18/2008	4/9/2008	TRAVELAND	TRAVELAND LEISURE VEH LTD	20529 LANGLEY BY PASS	LANGLEY	BC	V3A 5E8	MAHIL PAUL	2460 164TH ST	SURREY	BC	V3S 0E2	
604095	4VZBT1D988C067770	2008	DS	DP	4304	S	3/31/2008	4/14/2008	PIERRE ST-CYR	3465 CH DE L'INDUSTRIE		BALZAC	QC	J3G 455	GIRARD GASTON	1, RUE CHRISTIAN,	COUIS-RIVIERES	QC	G8V 2N2	
604100	4VZBR1D949C068034	2009	DS	DP	4086	S	5/6/2008	5/15/2008	TRAVELAND	TRAVELAND LEISURE VEH LTD	20529 LANGLEY BY PASS	LANGLEY	BC	V3A 5E8	MACINTOSH IAN	2610 CHARTER HILL PL	TROIS-LAC	BC	V3E 1R8	
604108	4VZBR1D959C067863	2009	DS	DP	4086	S	4/22/2008	5/2/2008	PIERRE ST-CYR	3465 CH DE L'INDUSTRIE		BALZAC	QC	J3G 455	GODREAU ROBERT	5850 BOUL DES ROSSIGNOLS	LAVAL	QC	H7L 422	
604109	4VZBR1D989C068036	2009	DS	DP	4055	S	5/7/2008	5/20/2008	PIERRE ST-CYR	3465 CH DE L'INDUSTRIE		BALZAC	QC	J3G 455	ISABELLE ALAIN	5400 PISCÉ DE JUMONVILLE #B03	MONTREAL	QC	H1M 3L7	
604111	4VZBR1D948C067836	2008	DS	DP	4035	S	4/9/2008	4/21/2008	VELLNER	1890 - 49 AVENUE		RED DEER	AB	T4R 2N7	SCHMUTZ SHERRY T	BOX 14, SITE 8, RR2	LEDUC	AB	T9E 2X2	
604112	4VZBR1D9																			

604325	4UZFCHY1BCAV0147	2011	DS	DP	4386	FL	6/15/2010	6/24/2010	MIDTOWN	310 INDUSTRIAL AVE W		PENTICTON	BC	V2A 9B3	SHARON TAYL *	1202 NAUTICAL LANE	RICHMOND		TX	77469
604326	4UZFCHY7BCAV0136	2011	DS	DP	4353	FL	6/10/2010	6/21/2010	MIDTOWN	310 INDUSTRIAL AVE W		PENTICTON	BC	V2A 9B3	DEALER STOCK UNIT *					
604331	4UZACHY3BCAV0145	2011	DS	DP	4020	FL	6/16/2010	6/25/2010	PIERRE ST-CYR	3465 CH DE L'INDUSTRIE		ST MATHIEU DE BELOEIL	QC	J3G 455	NORMAND REMI	2218 ROBIN	BAIE-COMEAU		QC	G5C 3T8
604338	4UZFCHY3BCAV0148	2011	DS	DP	4324	FL	6/23/2010	7/13/2010	MIDTOWN	310 INDUSTRIAL AVE W		PENTICTON	BC	V2A 9B3	YORK HARRY	RR 1	PONOKA		AB	T4J 1R1
604339	4UZFCHY3BCAV0149	2011	DS	DP	4324	FL	6/17/2010	6/29/2010	MIDTOWN	310 INDUSTRIAL AVE W		PENTICTON	BC	V2A 9B3	TRIDEL ENERGY INC *	206 - PATTERSON BLVD S W	CALGARY		AB	T3H 316
604355	4UZACHY3BCAV7249	2011	DS	DP	3734	FL	9/9/2010	9/20/2010	BUCARS	REDSON RESOURCE MANAGEMENT LTD	262109 RANGE ROAD 10	BALZAC	AB	TOM 0E0	PUSCH BILL	129 LOCHEND DRIVE	COCHRANE		AB	T4C 2H2
604356	4UZFCHY3BCAV6776	2011	DS	DP	3734	FL	9/9/2010	9/21/2010	MIDTOWN	310 INDUSTRIAL AVE W		PENTICTON	BC	V2A 9B3	KOHTU JOHN	BOX 157	DRUMHELLER		AB	TOJ 0Y0
604365	4UZFCHY3BCAV1271	2011	DS	DP	4353	FL	9/30/2010	10/11/2010	PINE ACRES	PO BOX 40		PENTICTON	PE	COB 1M0						
604373	4UZFCHY7BCAV1256	2011	DS	DP	4086T	FL	11/3/2010	11/12/2010	MIDTOWN	310 INDUSTRIAL AVE W		PENTICTON	BC	V2A 9B3	SIBBALD GREG	6449 VERNON AVE	PEACHLAND		BC	VOH 1X8
604380	4UZFCHY8BCAV1282	2011	DS	DP	4353	FL	12/8/2010	1/3/2011	TRAVELAND	TRAVELAND LEISURE VEH LTD	20529 LANGLEY BY PASS	LANGLEY	BC	V3A 5E8	COOMBS BRUCE	35699 REGAL PARKWAY	ABBOTSFORD		BC	V3G 2W2
604381	4UZFCHY6BCBA9201	2011	DS	DP	3734	FL	12/14/2010	1/10/2011	TRAVELAND	TRAVELAND LEISURE VEH LTD	20529 LANGLEY BY PASS	LANGLEY	BC	V3A 5E8	BOUFFIOURX GEORGE	6936 261RD CMP. STE 1 RR1	FORT ST JOHN		BC	V1J 4M6
604385	4UZFCHY3BCAV1258	2011	DS	DP	4020T	FL	1/13/2011	1/24/2011	PIERRE ST CYR	3465 CH DE L'INDUSTRIE		ST MATHIEU DE BELOEIL	QC	J3G 455	HEBERT GUSTON	1141 MARIE-VICTORIN	BOUCHERVILLE		QC	J4B 5E4
604418	4UZFCHY3CCBH3388	2012	DS	DP	3735	FL	6/29/2011	7/18/2011	MIDTOWN	310 INDUSTRIAL AVE W		PENTICTON	BC	V2A 9B3	GHEINTER HELMUT	311-1350 MADISON AVE	BURNABY		BC	V5C 4Y7
604423	4UZFCHY3CCBH9684	2012	DS	DP	4346	FL	7/22/2011	8/4/2011	PIERRE ST CYR	3465 CH DE L'INDUSTRIE		ST MATHIEU DE BELOEIL	QC	J3G 455	BEUSLE PIERRE	4837 STE-THERESE	CONTRECOEUR		QC	J0J 1C0
604424	4UZFCHY8CCBH3389	2012	DS	DP	4020	FL	6/28/2011	7/15/2011	PIERRE ST CYR	3465 CH DE L'INDUSTRIE		ST MATHIEU DE BELOEIL	QC	J3G 455	PROULX MADELEINE	1552 RUSSIEU DES ANGES	ST-ROCH DE L'ACHIGAN		QC	J0K 3H0
604432	4UZFCHY6CCAV6790	2012	DS	DP	4020	FL	8/4/2011	8/17/2011	TRAVELAND	TRAVELAND LEISURE VEH LTD	20529 LANGLEY BY PASS	LANGLEY	BC	V3A 5E8	ZACHARIAS HENRY	12535 22ND AVE	SURREY		BC	V4A 2B6
604433	4UZFCHY2CCBN9475	2012	DS	DP	4324	FL	8/17/2011	8/26/2011	MIDTOWN	310 INDUSTRIAL AVE W		PENTICTON	BC	V2A 9B3	REID GEORGE	3451 - HAYMAN CRES	QUESNEL		BC	V2J 6K7
604434	4UZFCHY8CCBP1906	2012	DS	DP	4353	FL	8/19/2011	8/30/2011	3-D SALES	19 HIGHLAND AVE		CORNER BROOK	NF	A2H 2K9	LEGER CHARLES	4063 ROUTE 115	NOTRE DAME		NB	E4V 2G3
604435	4UZFCHY1CCBP1908	2012	DS	DP	4353	FL	8/26/2011	9/8/2011	BUCARS	REDSON RESOURCE MANAGEMENT LTD	262109 RANGE ROAD 10	BALZAC	AB	TOM 0E0	HALVERSON KEN	BOX 486	NOTRE DAME		AB	TOJ 1P0
604440	4UZFCHY8CCBR2125	2012	DS	DP	4020	FL	10/3/2011	10/12/2011	3-D SALES	19 HIGHLAND AVE		CORNER BROOK	NF	A2H 2K9	LEGER PAUL	9261 MAIN ST	RICHIBUCTO		NB	E4W 4B4
604441	4UZFCHY9CCBN3859	2012	DS	DP	3734	FL	9/29/2011	10/11/2011	MIDTOWN	310 INDUSTRIAL AVE W		PENTICTON	BC	V2A 9B3	VOGEL REX	15212 - 74 ST N.W.	EDMONTON		AB	T5C 0V7
604445	4UZFCHY3CCBP1909	2012	DS	DP	4346	FL	10/6/2011	10/17/2011	THE HITCH HOUSE	310 INDUSTRIAL AVE W		SHANTY BAY	ON	L0L 2L0	KOSOWAN WADE	340 REDXALE BLVD	EMBOCKE		ON	M9W 1R6
604450	4UZFCHY7CCBP7647	2012	DS	DP	4324	FL	10/28/2011	11/8/2011	PIERRE ST CYR	3465 CH DE L'INDUSTRIE		ST MATHIEU DE BELOEIL	QC	J3G 455	GAUCHER MICHEL	577 NOTRE DAME	REPENTIGNY		QC	J6A 2T6
604453	4UZFCHY3CCBT3466	2012	DS	DP	4020	FL	11/2/2011	11/10/2011	PIERRE ST CYR	3465 CH DE L'INDUSTRIE		ST MATHIEU DE BELOEIL	QC	J3G 455	QUESNEL YVES	1474 ST-HENRI	MASCOUCHE		QC	J7K 2N4
604482	4UZFCHY5CCBV1509	2012	DS	DP	3734	FL	1/25/2012	2/3/2012	MIDTOWN	310 INDUSTRIAL AVE W		PENTICTON	BC	V2A 9B3	NIEMELA TERRANCE	BOX 9170 MAIN ST	SYLVAN LAKE		AB	0
604496	4UZFCHY4CCBV1510	2012	DS	DP	4020	FL	3/7/2012	3/20/2012	PIERRE ST CYR	3465 CH DE L'INDUSTRIE		ST MATHIEU DE BELOEIL	QC	J3G 455	BOUCHARD JEAN	9 DUMAS	CANDIAC		QC	J5R 6H8
604498	4UZFCHY6CCBV1511	2012	DS	DP	4062	FL	3/14/2012	3/28/2012	PIERRE ST CYR	3465 CH DE L'INDUSTRIE		ST MATHIEU DE BELOEIL	QC	J3G 455	GILBERT DONALD	149 DES ECOLIERS	ST VICTOR		QC	G0M 2B0
604500	4UZFCHY2CCBV2823	2012	DS	DP	4324	FL	4/13/2012	4/27/2012	PIERRE ST CYR	3465 CH DE L'INDUSTRIE		ST MATHIEU DE BELOEIL	QC	J3G 455	ANDRE ALEX	795 MUIR APP.1105	VILLE ST LAURENT		QC	H4L 5H8
604501	4UZFCHY9CCBU1430	2012	DS	DP	4020	FL	3/28/2012	4/17/2012	THE HITCH HOUSE	1490 HWY 11 RR#2		SHANTY BAY	ON	L0L 2L0	DIXON WESLEY	5422 HEAD ST N	STRATHROY		ON	NFG 2K2
604504	4UZFCHYXCCBV9771	2013	DS	DP	4318	FL	5/3/2012	5/14/2012	PINE ACRES	80 COMMERCE ST		MONCTON	NB	E1H 0A5	OGDEN ROBIE K	2 CLARENCE CRT	FALL RIVER		NB	B2T 1M1
604509	4UZFCHY9CCBV2905	2013	DS	DP	4353	FL	5/25/2012	6/6/2012	PINE ACRES	80 COMMERCE ST		MONCTON	NB	E1H 0A5	CORMIER LEONICE	15 WILLARD RD	LUTES MOUNTAIN		NB	E1G 2S1
604514	4UZFCHY9CCBV7934	2013	DS	DP	4318	FL	6/8/2012	6/18/2012	MIDTOWN	310 INDUSTRIAL AVE W		PENTICTON	BC	V2A 9B3	HALLQUIST BRUCE	12506 QUINPOOL RD - PO BOX 310	SUMMERLAND		BC	VOV 1Z0
604519	4UZFCHY5CCBV2903	2013	DS	DP	4038	FL	6/14/2012	6/21/2012	PIERRE ST CYR	3465 CH DE L'INDUSTRIE		ST MATHIEU DE BELOEIL	QC	J3G 455	VIAU MARCEL	1209 BOULSALABERRY	MERCIER		QC	J6R 211
604520	4UZFCHY4CCBV8028	2013	DS	DP	4318	FL	6/7/2012	6/15/2012	PIERRE ST CYR	3465 CH DE L'INDUSTRIE		ST MATHIEU DE BELOEIL	QC	J3G 455	MIGLIOLI JULIO L	5815 SAUCIER	LAVAL		QC	H7H 2X9
604539	4UZFCHY8CCBV4959	2013	DS	DP	4347	FL	8/2/2012	8/13/2012	MIDTOWN	310 INDUSTRIAL AVE W		PENTICTON	BC	V2A 9B3	JOSS MCL *	12030 - CYGNET BLVD	GRANDE PRAIRIE		AB	T8X 1L9
604546	4UZFCHY9CCBV08504	2013	DS	DP	4018	FL	8/10/2012	8/21/2012	TRAVELAND	TRAVELAND LEISURE VEH LTD	20529 LANGLEY BY PASS	LANGLEY	BC	V3A 5E8	JOHNSON WILLIAM	5260 KEW ROAD	WEST VANCOUVER		BC	V7W 2W2
604560	4UZFCHY3CCBV1263	2013	DS	DP	3734	FL	10/2/2012	10/11/2012	MIDTOWN	310 INDUSTRIAL AVE W		PENTICTON	BC	V2A 9B3	WANNER JIM	3619 - RIVER VIEW RD	PRINCE GEORGE		BC	V2K 4Y7
604580	4UZFCHY4CCBF4720	2013	DS	DP	4018	FL	12/6/2012	12/13/2012	TRAVELAND	TRAVELAND LEISURE VEH LTD	20529 LANGLEY BY PASS	LANGLEY	BC	V3A 5E8	SCHMIDT ISIDOR	2160 WLLIS RD	CAMPBELL RIVER		BC	V9W 3W1
604584	4UZFCHY7CCBF3380	2013	DS	DP	4018	FL	1/8/2013	1/16/2013	PIERRE ST CYR	3465 CHEMIN DE L'INDUSTRIE		ST MATHIEU DE BELOEIL	QC	J3G 455	CLEMENT PIERRE	58 RANG DE L'ACHIGAN	SAINT ROCH DELACHIGAN		QC	J0K 3H0
604592	4UZFCHY2CCBF0998	2013	DS	DP	4018	FL	1/15/2013	1/23/2013	BUCARS	REDSON RESOURCE MANAGEMENT LTD	262109 RANGE ROAD 10	BALZAC	AB	T4B 2T3	GANT GARRETT	206-51519 RANG RD 220	SHERWOOD PARK		AB	T8E 1H1
604593	4UZFCHY8CCBF7231	2013	DS	DP	4353	FL	1/23/2013	1/31/2013	BUCARS	REDSON RESOURCE MANAGEMENT LTD	262109 RANGE ROAD 10	BALZAC	AB	T4B 2T3	OVERACKER WAYNE	402 PARKVIEW CR SE	CALGARY		AB	T2J 4P1
604598	4UZFCHY5CCBF1000	2013	DS	DP	4318	FL	1/24/2013	2/1/2013	MIDTOWN	310 INDUSTRIAL AVE W		PENTICTON	BC	V2A 9B3	SERVATIOUS ROCKY	10280 LAKESIDE DRIVE	PRINCE GEORGE		BC	V2S 5M4
604652	4UZFCHY6CCBF1605	2013	DS	DP	4353	FL	4/25/2013	5/3/2013	BUCARS	REDSON RESOURCE MANAGEMENT LTD	262109 RANGE ROAD 10	BALZAC	AB	T4B 2T3	MELIN RICHARD	BOX 238	ALDER FLATS		AB	TOC00A
604653	4UZFCHY9CCBF1601	2013	DS	DP	4038	FL	4/30/2013	5/8/2013	PIERRE ST CYR	3465 CHEMIN DE L'INDUSTRIE		ST MATHIEU DE BELOEIL	QC	J3G 455	LABONTE ROGER	2660 DUMAINE	DRUMMONDVILLE		QC	J2B 3W3
604669	4UZFCHY7CCBF8014	2014	DS	DP	4018	FL	6/19/2013	6/26/2013	MIDTOWN	310 INDUSTRIAL AVE W		PENTICTON	BC	V2A 9B3	HODSON RON	PO BOX 518	VANDERHOOF		BC	VOJ 3A0
604678	4UZFCHY7CCBF2690	2014	DS	DP	4018	FL	5/16/2013	5/28/2013	TRAVELAND	TRAVELAND LEISURE VEH LTD	20529 LANGLEY BY PASS	LANGLEY	BC	V3A 5E8	RAYNER DAVID	11149 35 AVE NW	EDMONTON		AB	T6J 3M6
604679	4UZFCHY7CCBF9932	2014	DS	DP	4374	FL	6/11/2013	6/18/2013	TRAVELAND	TRAVELAND LEISURE VEH LTD	20529 LANGLEY BY PASS	LANGLEY	BC	V3A 5E8	BELDING RUSSELL J	6911 GRAYBAR ROAD	RICHMOND		BC	V6W 1H3
604691	4UZFCHYXCCBF7549	2014	DS	DP	4038	FL	6/24/2013	7/9/2013	TRAVELAND	TRAVELAND LEISURE VEH LTD	20529 LANGLEY BY PASS	LANGLEY	BC	V3A 5E8	MARTIN DAVID T	7905 BERKLEY ST	BURNABY		BC	V5E 4G5
604710	4UZFCHY8CCBF9312	2014	DS	DP	4364	FL	8/22/2013	9/3/2013	PIERRE ST CYR	3465 CHEMIN DE L'INDUSTRIE		ST MATHIEU DE BELOEIL	QC	J3G 455	DASHNEY ARNOLD	4076 OTTERRAIL CROS	OTTAWA		ON	K1J 1B3
604711	4UZFCHY3CCBF5938	2014	DS	DP	4018	FL	8/13/2013	8/22/2013	BUCARS	REDSON RESOURCE MANAGEMENT LTD	262109 RANGE ROAD 10	BALZAC	AB	T4B 2T3	BANSER ED	60 RIVER HEIGHTS VIEW	COCHRANE		AB	T4C 0E6
604713	4UZFCHY5CCBF5577	2014	DS	DP	4364	FL	8/1/2013	8/9/2013	MIDTOWN	310 INDUSTRIAL AVE W		PENTICTON	BC	V2A 9B3	GORDON JEAN	PO BOX 218 - STN. MAIN	GRANDE PRAIRIE		AB	T8V 3A4
604722	4UZFCHY1CCBF5937	2014	DS	DP	4018	FL	8/27/2013	9/6/2013	THE HITCH HOUSE	1490 HWY 11 RR#2		SHANTY BAY	ON	L0L 2L0	BISSON YANNICK	7 LEANDER COURT	TORONTO		ON	M4B 2W2
604769	4UZFCHY3CCBF4235	2014	DS	DP	4364	FL	9/20/2013	10/1/2013	PINE ACRES	80 COMMERCE ST		MONCTON	NB	E1H 0A5	WHYNOTT ALDEN	903 CLEMENTS DR	FREDERICTON		NB	E3G 7J3
604770	4UZFCHY1CCBF9146	2014	DS	DP	4364	FL	9/12/2013	9/23/2013	PINE ACRES	80 COMMERCE ST		MONCTON	NB	E1H 0A5	MATCHETT BRENDAN	11 DOUGLAS CRT	MIRAMICHI		NB	E1V 5R4
604803	4UZFCHY8CCBF0701	2014	DS	DP	4038	FL	9/26/2013	10/4/2013	BUCARS	REDSON RESOURCE MANAGEMENT LTD	262109 RANGE ROAD 10	BALZAC	AB	T4B 2T3	SPARKS ROBERTA	28 ASPEN HEIGHTS WAY	MINNISFALG		NB	T4G 1Y5
604804	4UZFCHY4CCBF0786	2014	DS	DP	4364	FL	10/16/2013	10/25/2013	MIDTOWN	310 INDUSTRIAL AVE W		PENTICTON	BC	V2A 9B3	DODGE MARK	12233-91 ST RR-1-5 COMP-21	FORT ST. JOHN		BC	V1J 4M6
604805	4UZFCHY9CCBF0783	2014	DS	DP	4358	FL	10/8/2013	10/17/2013	BUCARS	REDSON RESOURCE MANAGEMENT LTD	262109 RANGE ROAD 10	BALZAC	AB	T4B 2T3	FIDHIRNEY WAYNE	BOX 61	LESVILLE		AB	TOM 1H0
604806	4UZFCHY7CCBF4640	2014	DS	DP	4358	FL	10/11/2013	10/22/2013	PINE ACRES	80 COMMERCE ST		MONCTON	NB	E1H 0A5	BOUCHER INVESTMENTS LTD *	3528 RTE 115	NOTRE DAME		NB	E4V 2H5
604853	4UZFCHY1CCBF7285	2014	DS	DP	4018	FL	11/22/2013	12/4/2013	MIDTOWN	310 INDUSTRIAL AVE W		PENTICTON	BC	V2A 9B3	HOWARD THELMA	#3-40 KERSTEL PLACE, BOX 4	VERNON		BC	V1H 1S6
604869	4UZFCHY8CCBF2046	2014	DS	DP	4018	FL	12/13/2013	1/9/2014	BUCARS	REDSON RESOURCE MANAGEMENT LTD	262109 RANGE ROAD 10	BALZAC	AB	T4B 2T3</						

704147	4VZBN1D9X8C065326	2008	KS	DP	3916	5	11/1/2007	11/13/2007	MIDTOWN	310 INDUSTRIAL AVE W	PENTICTON	BC	V2A 9B3	SCHMULAND ROY	#187 - 3400 WILSON STR.	PENTICTON	BC	V2A 8J1	
704161	4VZBN1D948C065533	2008	KS	DP	3916	5	11/14/2007	11/28/2007	WOODY'S	14510 MARK MESSIER TRAIL NW	EDMONTON	AB	T6V 1H5	FRANK RODNEY	25 REGAL WAY	SHERWOOD PARK	AB	T8A 5N1	
704167	4VZBN1D988C065535	2008	KS	DP	3910	5	11/14/2007	11/29/2007	TRAVELAND	TRAVELAND LEISURE VEH LTD	LANGLEY	BC	V3A 5E8	ECKERT DAVID	#56 3355 MORGAN CREEK	SOUTH SURREY	BC	V3S 0J9	
704180	4VZBN1D918C065747	2008	KS	DP	3943	5	1/8/2008	1/17/2008	WOODY'S	91 COMMERCIAL CRT	CALGARY	AB	T3Z 2A6	THON BILL	56 HARVEST PARK RD	CALGARY	AB	T3K 4H8	
704188	4VZBN1D968C065534	2008	KS	DP	3910	5	11/21/2007	12/4/2007	MIDTOWN	310 INDUSTRIAL AVE W	PENTICTON	BC	V2A 9B3	WILSON LYNDELL	6130 - LIPSETT AVE	PEACHLAND	BC	VOH 1X7	
704193	4VZBN1D908C065741	2008	KS	DP	3912	5	12/5/2007	12/17/2007	MIDTOWN	310 INDUSTRIAL AVE W	PENTICTON	BC	V2A 9B3	ADRAIN TOM	110-5373 PEACH RD	CHILLIWACK	BC	V2R 4P7	
704194	4VZBN1D928C065742	2008	KS	DP	3916	5	12/6/2007	12/19/2007	MIDTOWN	310 INDUSTRIAL AVE W	PENTICTON	BC	V2A 9B3	JORGENSEN DAVE	#28 WILLOW POINT	DRUMHELLER	AB	T0J 0Y5	
704200	4VZBN1D968C065744	2008	KS	DP	3910	5	12/11/2007	1/8/2008	MIDTOWN	310 INDUSTRIAL AVE W	PENTICTON	BC	V2A 9B3	TASSONE RALPH	805 24TH ST	CASTLEGAR	BC	V1N 4E9	
704201	4VZBN1D9X8C065746	2008	KS	DP	3910	5	12/10/2007	1/10/2008	MIDTOWN	310 INDUSTRIAL AVE W	PENTICTON	BC	V2A 9B3	WHITCOMB DON	1436 PHOENIX DR	VERNON	BC	V1B 4A1	
704203	4VZBN1D9X8C066511	2008	KS	DP	3910	5	1/10/2008	1/22/2008	WOODY'S	WOODY PAYLOR ENTERPRISES	RED DEER	AB	T4R 2N7	MORRILL WAYNE	SITE 422, BOX 1, COMP 2, RR2	DRAYTON VALLEY	AB	T7A 2A2	
704209	4VZBN1D958C065749	2008	KS	DP	3910	5	1/15/2008	1/28/2008	MIDTOWN	310 INDUSTRIAL AVE W	PENTICTON	BC	V2A 9B3	TOSTENSON BRIAN	1739 BYRNS ROAD	KELOWNA	AB	V1W 2G3	
704210	4VZBN1D938C065748	2008	KS	DP	3916	5	1/14/2008	1/23/2008	MIDTOWN	310 INDUSTRIAL AVE W	PENTICTON	BC	V2A 9B3	SCHULTE SELWYN	217 OLD LAKELSE LAKE DR	TERRACE	BC	V8G 0G5	
704211	4VZBN1D918C065750	2008	KS	DP	3916	5	1/17/2008	1/30/2008	PIERRE ST-CYR	3465 CH DE L'INDUSTRIE	ST MATHIEU DE BELOEIL	QC	J3G 4S5	PELLETIER JEAN	12070 HENEALUT	MONTREAL NORD	QC	H1G 5T5	
704212	4VZBN1D938C065751	2008	KS	DP	3916	5	1/28/2008	2/18/2008	MIDTOWN	310 INDUSTRIAL AVE W	PENTICTON	BC	V2A 9B3	DONALD RANDY	8099 - 19 STR	GRAND FORKS	BC	VOH 1H2	
704213	4VZBN1D948C065743	2008	KS	DP	3910	5	2/12/2008	2/27/2008	MIDTOWN	310 INDUSTRIAL AVE W	PENTICTON	BC	V2A 9B3	BOYTINCK GERARD	BOX 1021	FAIRVIEW	AB	TOH 1L0	
704222	4VZBN1D978C067664	2008	KS	DP	3910	5	3/13/2008	4/2/2008	PIERRE ST-CYR	3465 CH DE L'INDUSTRIE	ST MATHIEU DE BELOEIL	QC	J3G 4S5	MORENO MIGUEL A	12421 AVE LANTHIER	MONTREAL NORD	QC	H1G 4R9	
704223	4VZBN1D968C066828	2008	KS	DP	3910	5	3/11/2008	4/1/2008	PIERRE ST-CYR	3465 CH DE L'INDUSTRIE	ST MATHIEU DE BELOEIL	QC	J3G 4S5	VEZINA SYLVAIN	313 CH DES PATRICTES	ST CHARLES SUR RICHELIEU	QC	J0H 2G0	
704226	4VZBN1D998C067665	2008	KS	DP	3916	5	3/31/2008	4/14/2008	PIERRE ST-CYR	3465 CH DE L'INDUSTRIE	ST MATHIEU DE BELOEIL	QC	J3G 4S5	HALLEE SUZIE	410 PIERRE MERCURC	MONTREAL	QC	H1A 5A8	
740001	4VZBT1D929C067899	2009	DA	DP	4304	5	4/23/2008	5/6/2008	TRAVELAND	TRAVELAND LEISURE VEH LTD	LANGLEY	BC	V3A 5E8	RICHARDSON MALCOM	1505 HIGH PARK BLVD	HIGH RIVER	AB	T1V 2C5	
740012	4VZBT1D999C068631	2009	DA	DP	4304	5	5/15/2008	5/29/2008	PIERRE ST-CYR	3465 CH DE L'INDUSTRIE	ST MATHIEU DE BELOEIL	QC	J3G 4S5	COTE MADELINE	441 DE L'EMERAUDE	GRANBY	QC	J2H 2S8	
740013	4VZBR1D929C067898	2009	DA	DP	4085	5	5/12/2008	5/22/2008	PIERRE ST-CYR	3465 CH DE L'INDUSTRIE	ST MATHIEU DE BELOEIL	QC	J3G 4S5	FECTEAU ANDRE	55 RUE LUC-RAACHESSEAULT	BLOMONT	QC	J2L 0K9	
740020	4VZBT1D979C068031	2009	DA	DP	4331	5	4/29/2008	5/12/2008	MIDTOWN	310 INDUSTRIAL AVE W	PENTICTON	BC	V2A 9B3	LAFRANCE JOHN	320 - REGAL PARK N E	CALGARY	AB	T2E 0S6	
740028	4VZBR1D909C068094	2009	DA	DP	4085	5	5/22/2008	6/11/2008	THE HITCH HOUSE	1490 HWY 11 RR#2	SHANTY BAY	ON	L0L2L0	COLLINS PAUL J	245 LABRADOR DR	WATERLOO	ON	N2K 4M8	
740035	4VZBT1D959C069789	2009	DA	DP	4304	5	6/17/2008	7/29/2008	MIDTOWN	310 INDUSTRIAL AVE W	PENTICTON	BC	V2A 9B3	BOUSA ROCKY D	BOX 25058	FORT MCMURRAY	AB	T9H 5N8	
740037	4VZBR1D949C068745	2009	DA	DP	4085	5	7/29/2008	8/13/2008	MIDTOWN	310 INDUSTRIAL AVE W	PENTICTON	BC	V2A 9B3	MASON LEN C	278-52147 RANGE RD 231	SHERWOOD PARK	AB	P8B 1A4	
740042	4VZBR1D9X9C069981	2009	DA	DP	4023	5	7/31/2008	8/27/2008	MIDTOWN	310 INDUSTRIAL AVE W	PENTICTON	BC	V2A 9B3						
740045	4VZBR1D939C070034	2009	DA	DP	4023	5	8/11/2008	9/15/2008	MIDTOWN	310 INDUSTRIAL AVE W	PENTICTON	BC	V2A 9B3	HARTWELL COKE	BOX 186 - 97 CARRY DRIVE SE	MEDICINE HAT	AB	T1B 3M6	
740046	4VZBT1D9X9C070002	2009	DA	DP	4304	5	8/28/2008	9/23/2008	FRASERWAY	726 ROCKY LAKE DRIVE	BEDFORD	NS	B4A 2T7	MORASH BERNARD H	PO BOX 312	DARTMOUTH	NS	B2Y 3Y5	
740057	4VZBT1D909C071000	2009	DA	DP	4304	5	2/10/2009	3/3/2009	MIDTOWN	310 INDUSTRIAL AVE W	PENTICTON	BC	V2A 9B3	MCCULLOCH RONALD H	BOX 12	LUNDERECK	AB	T0K 1H0	
740060	4VZBT1D999C071125	2010	DA	DP	4331	5	4/8/2009	4/21/2009	PIERRE ST CYR	3465 CH DE L'INDUSTRIE	ST MATHIEU DE BELOEIL	QC	J3G 4S5	LEMAY REJEAN	90 GEORGES	OTTOWA	ON	K1N 5W1	
740067	4VZBT1D92AC071293	2010	DA	DP	4304	5	6/8/2009	6/16/2009	MIDTOWN	310 INDUSTRIAL AVE W	PENTICTON	BC	V2A 9B3	JOHNSON CHARLES S	PO BOX 2092	BROOKS	AB	T1R 1C7	